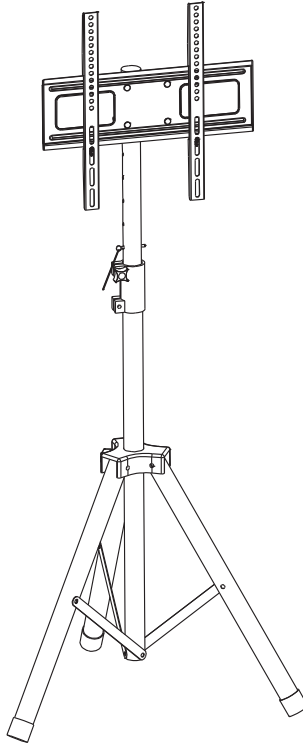




PERLESMITH

Installation Instruction

V1.0



PSTM1



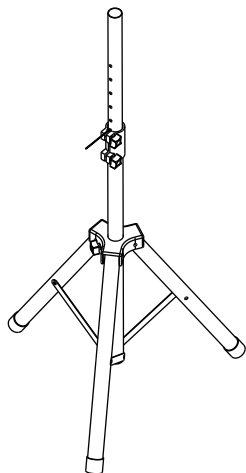
Thank you for choosing our product! We strive to provide the best quality and services for our customers. Would you kindly share your experience on Amazon if you are satisfied? Should you have any issues, please don't hesitate to contact us.

Telephone: 800-5566-806 Mon-Fri 10am - 6pm (PST) (USA) (CAN)
Email: supportus@perlesmith.com (US/CA/DE/UK/FR/IT/ES/JP/AU)

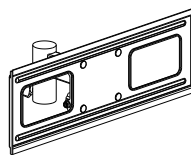
Important Safety Instructions

- Carefully open the carton, remove contents and lay out on cardboard or other protective surface to avoid damage.
- Check to assure that all components were received undamaged. Do not use damaged or defective parts.If you require replacement parts, contact customer service at supportus@perlesmith.com.
- Carefully read all instructions before attempting installation.
- Install and operate this product with care. Please read this instruction before beginning the installation, and carefully follow all instructions contained herein. Use proper tools during installation.
- If you do not understand the instructions or have any concerns or questions, please contact customer service at supportus@perlesmith.com.
- Do not use this product for any purpose or in any configuration not explicitly specified in this instruction. We hereby disclaim any and all liability for injury or damage arising from incorrect assembly, incorrect mounting, or incorrect use of this product.
- This product is intended for indoor use only. Use of this product outdoors could lead to product failure and personal injury.

Parts list



I (x1)

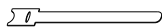


J (x1)



K (x2)

Hardware List



L(x3)



M(x1)



N(x1)



M4x30 (x4)

A



M6x15 (x4)

B



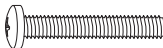
M6x30 (x4)

C



M8x15 (x4)

D



M8x45 (x4)

E



(x4)

F



Ø8.5x18x5 (x8)

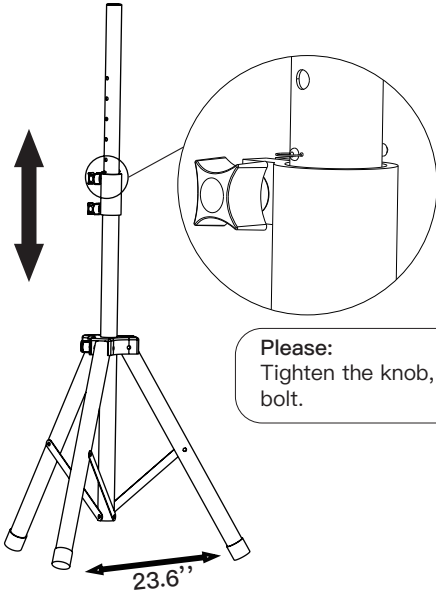
G



Ø8.5x18x10 (x8)

H

STEP 1

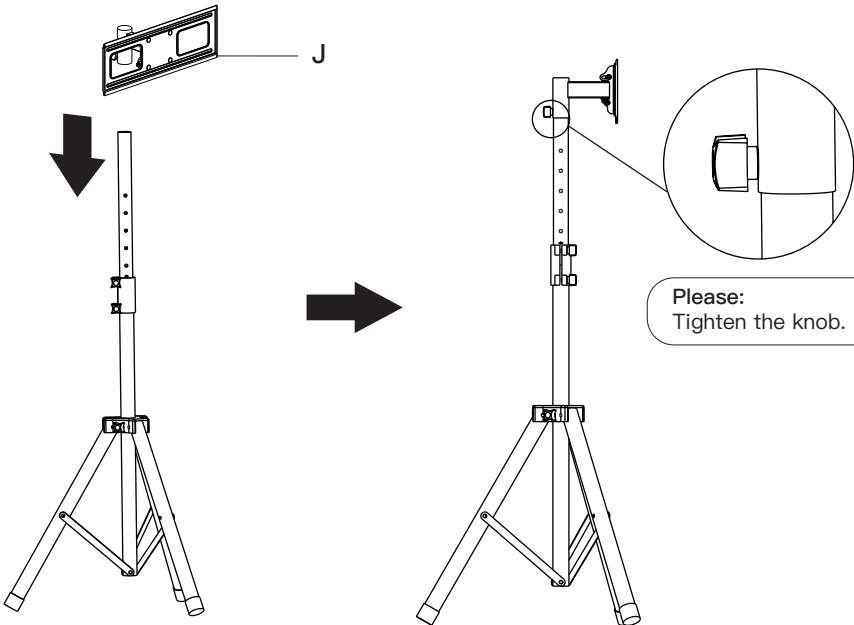


Please:
Tighten the knob, Insert the
bolt.

**CAUTION:MAKE SURE
DISTANCE BETWEEN EACH
FOOT MUST BE 600MM/23.6"**

**CAUTION:TO AVOID ANY
INJURIES,PLEASE TAKE OFF
TV SET BEFORE MAKING
HEIGHT ADJUSTMENT**

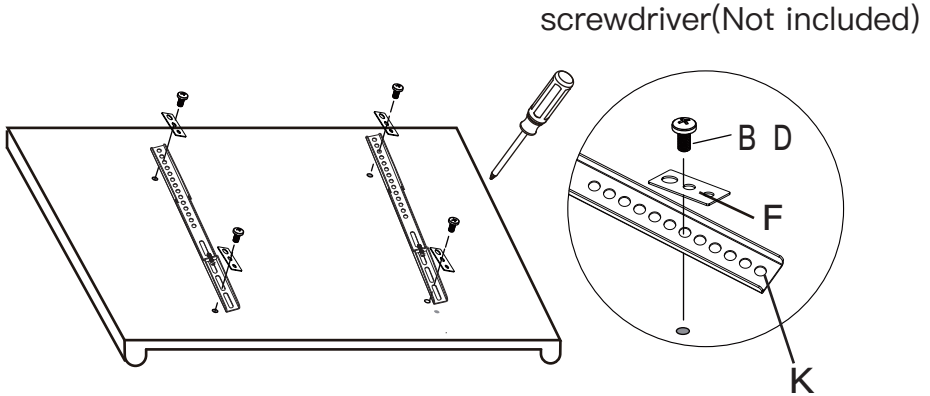
STEP 2



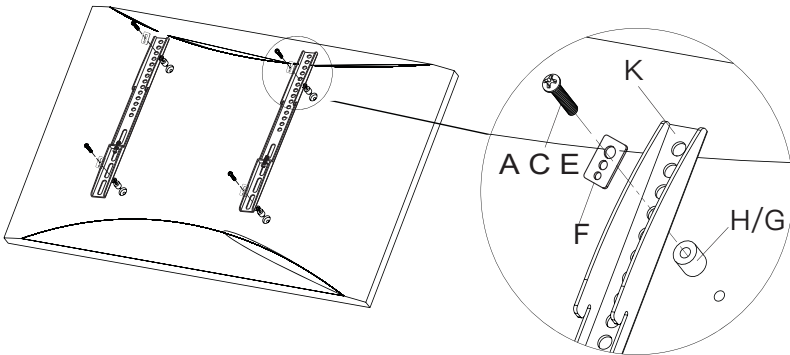
Please:
Tighten the knob.

STEP 3

FLAT BACK TV (UNIVERSAL MONITOR PLATE)

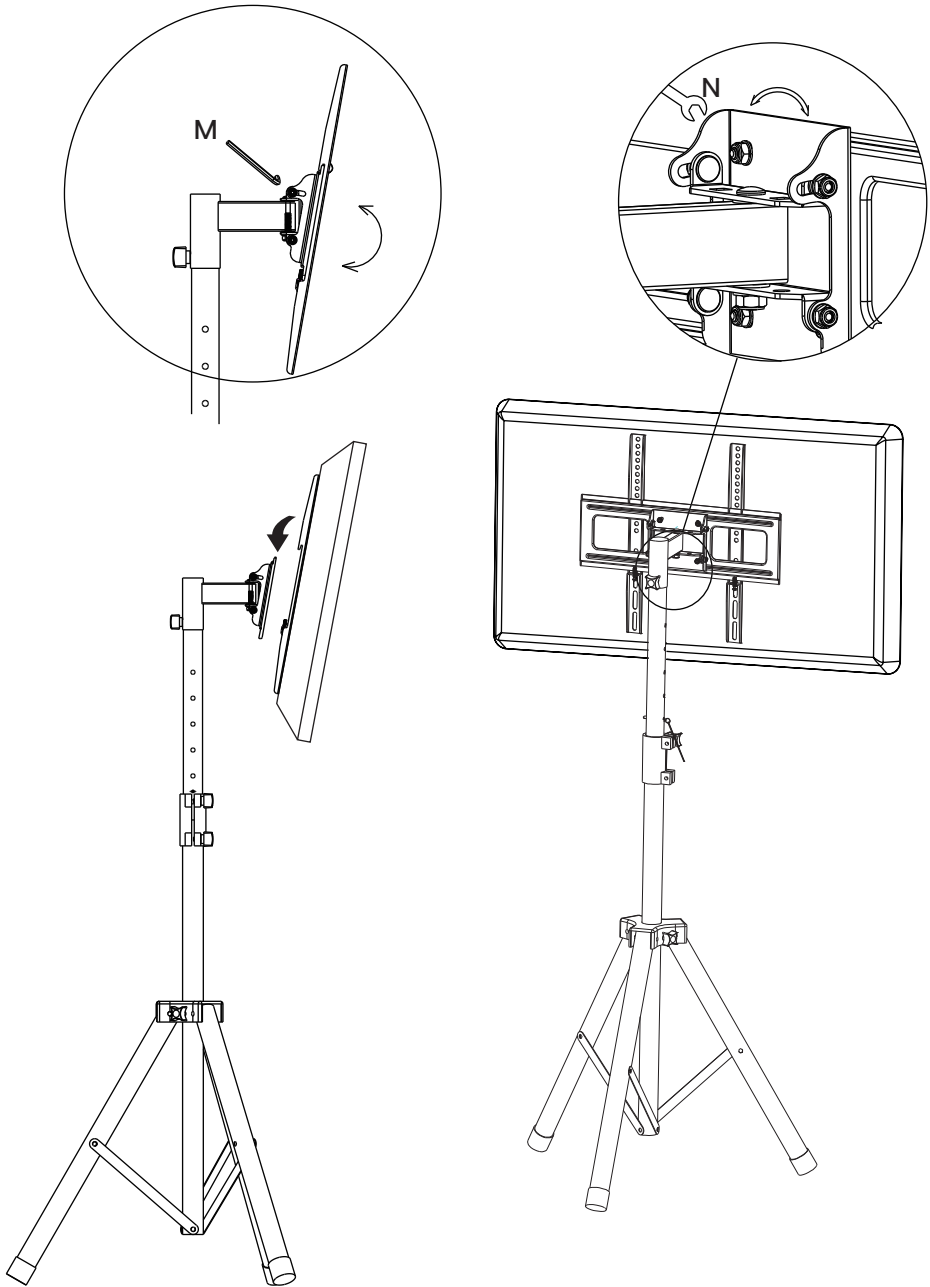


ROUND BACK TV (UNIVERSAL MONITOR PLATE)



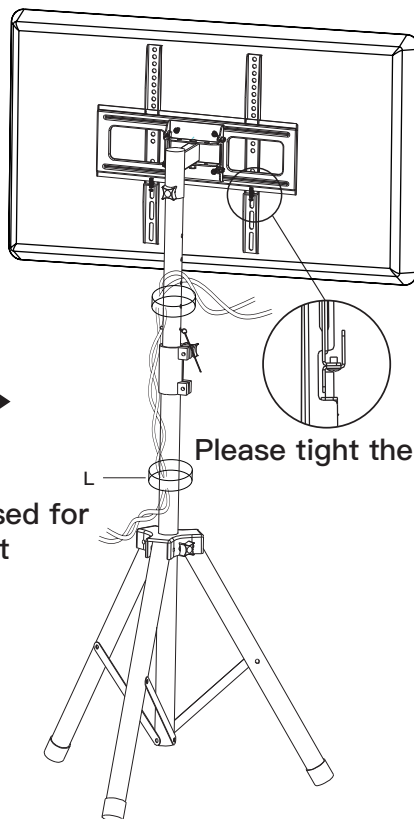
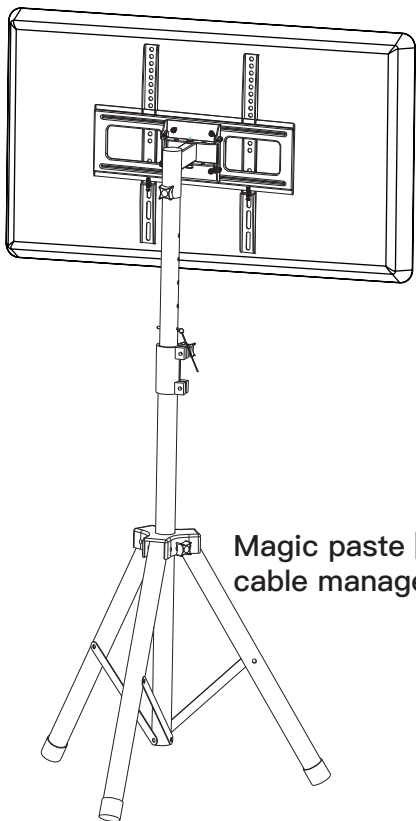
First, make sure the diameter of the bolt(A-E) fits your TV. Then, please see the diagram above. You will need to thread the bolt into the TV using the correct washer (F) hole and spacer (G or H) if necessary with a screwdriver(Not included). Please make sure the monitor brackets(K) are vertically centered and level with each other.

STEP 4 Attach the TV onto the Plate



STEP 5

CAUTION: TO AVOID ANY INJURIES, PLEASE TAKE OFF TV SET BEFORE MAKING HEIGHT ADJUSTMENT



Magic paste [L] used for cable management

Please tight the screw

PRODUCT SPECIFICATIONS

