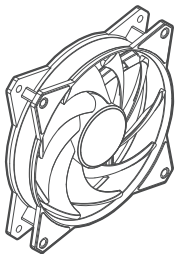




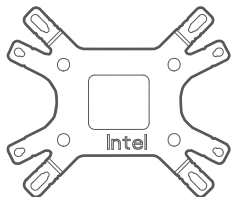
MASTERLIQUID

LITE

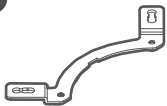
120

A

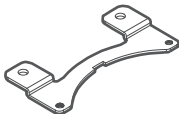
x1

B

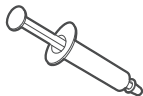
x1

C

x2

D

x2

E

x1

F

x8

G

x4

H

x4

I

x4

J

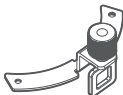
x4

K

x4

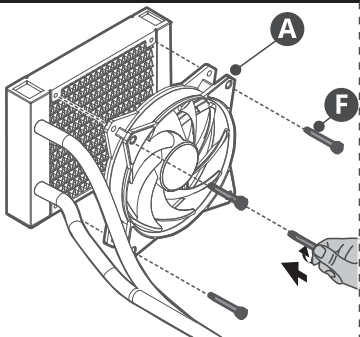
L

x4

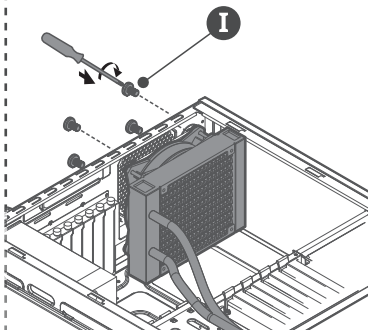
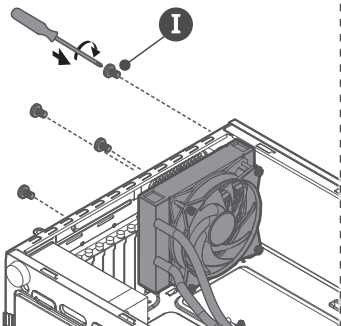
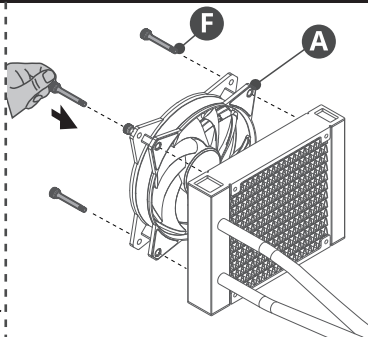
M

x2

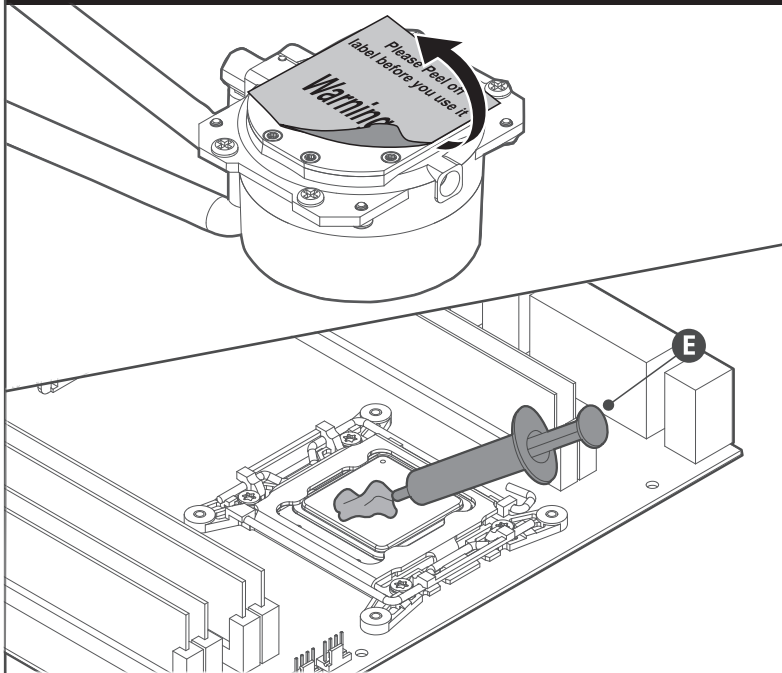
02. Intel & AMD



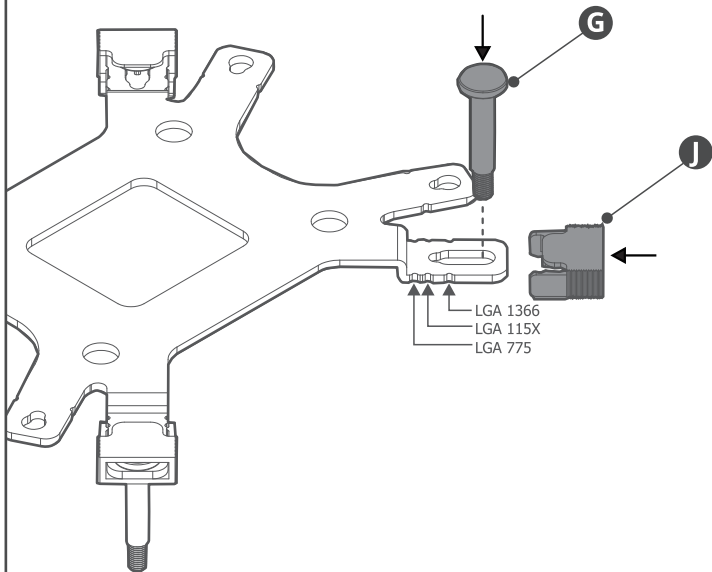
or



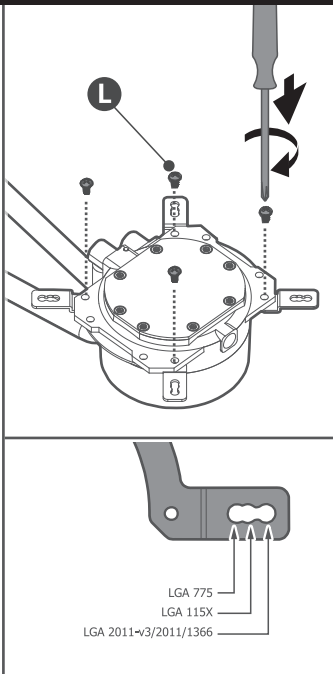
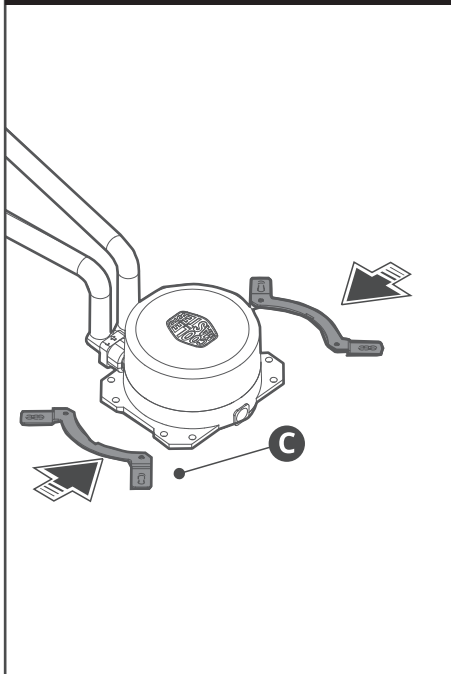
03. Intel & AMD



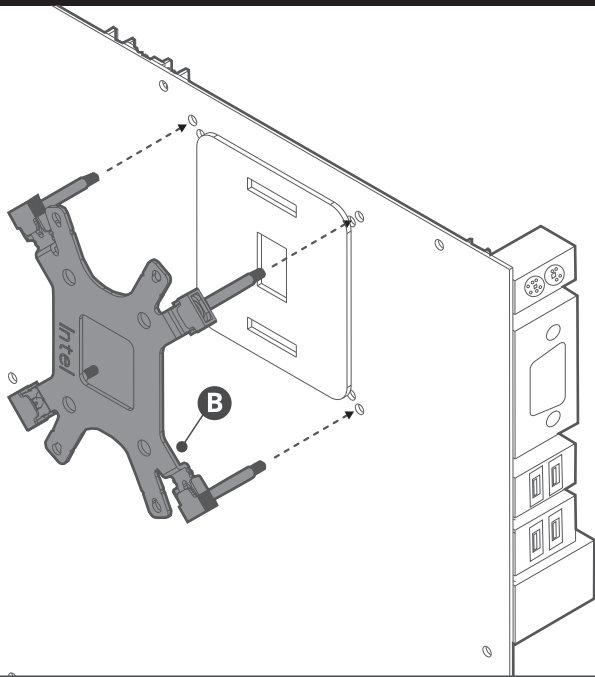
04. Intel - LGA 1366/115X/775



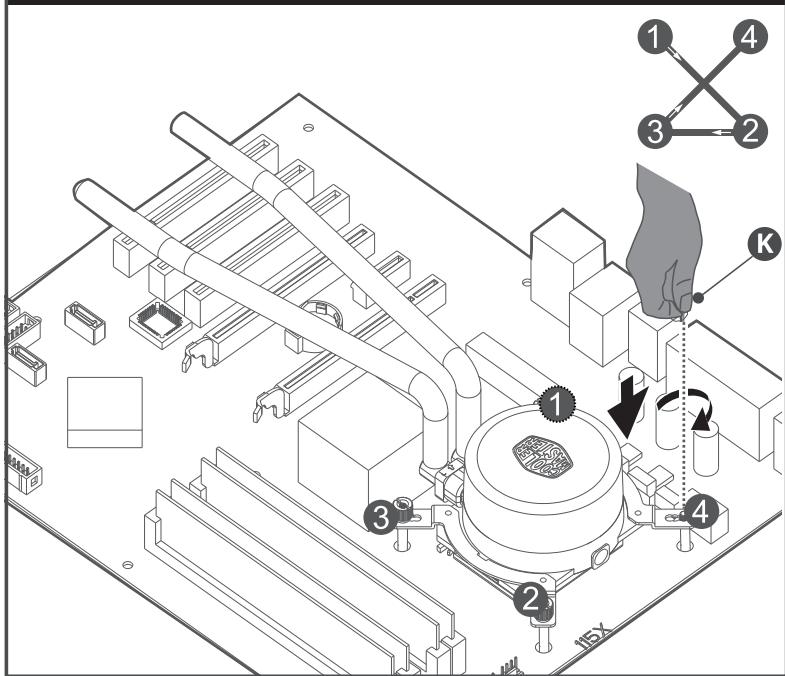
05. Intel - LGA 2011-v3/2011/1366/115X/775



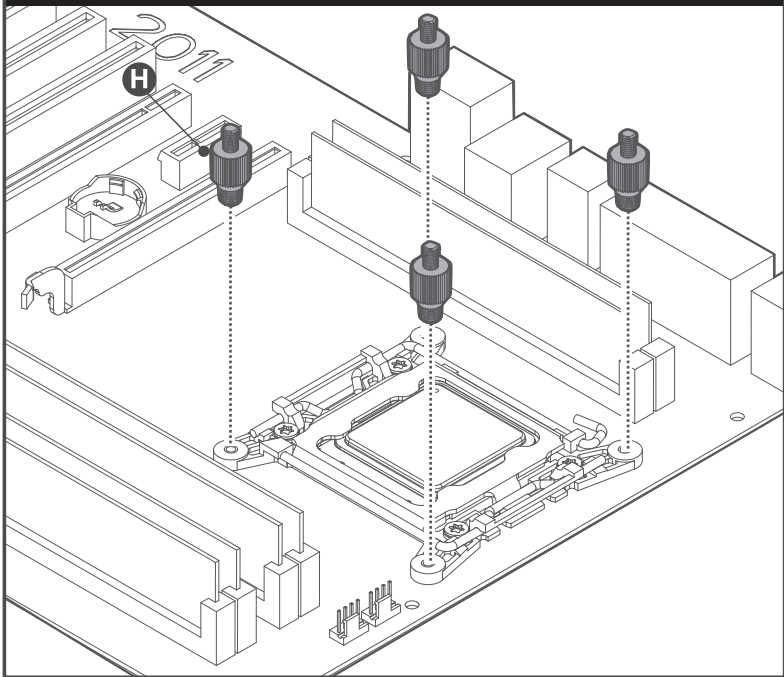
06. Intel - LGA 1366/115X/775



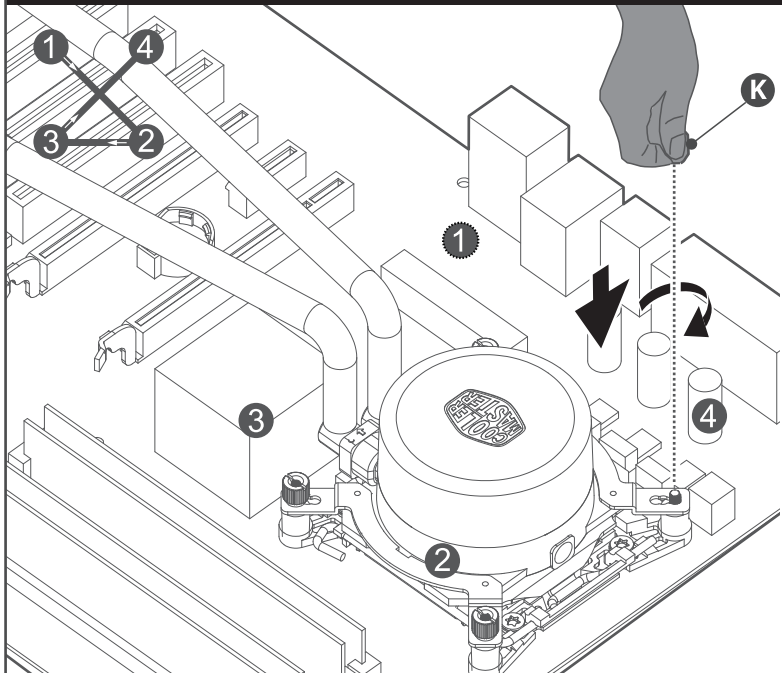
07. Intel - LGA 1366/115X



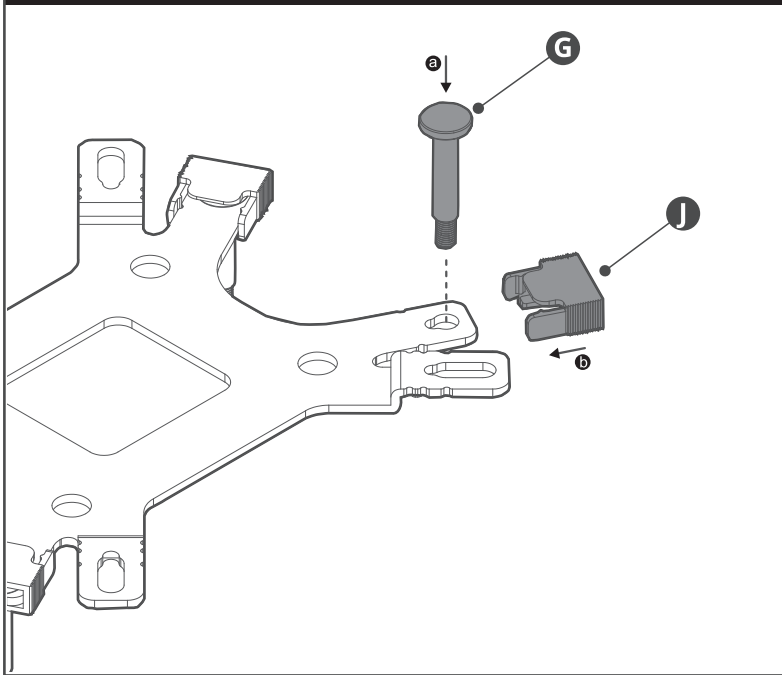
08. Intel - LGA 2011-v3/2011



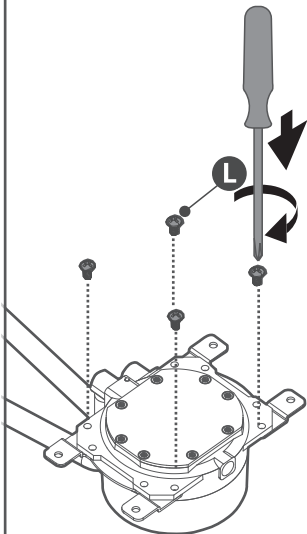
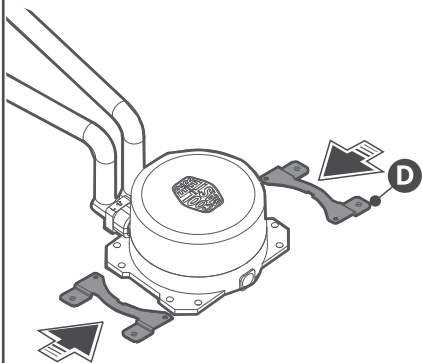
09. Intel LGA 2011-v3/2011



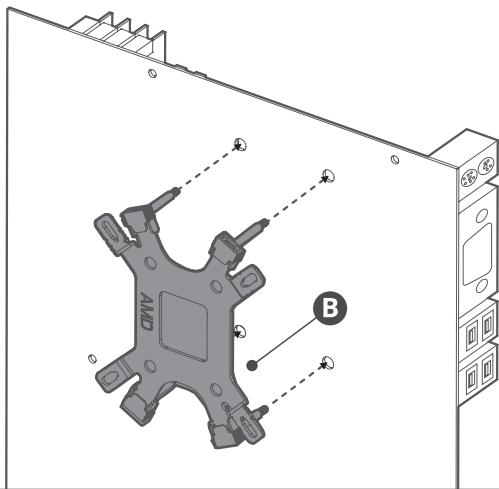
10. AMD Socket AM3+ / AM3 / AM2+ / FM2+ / FM2 / FM1



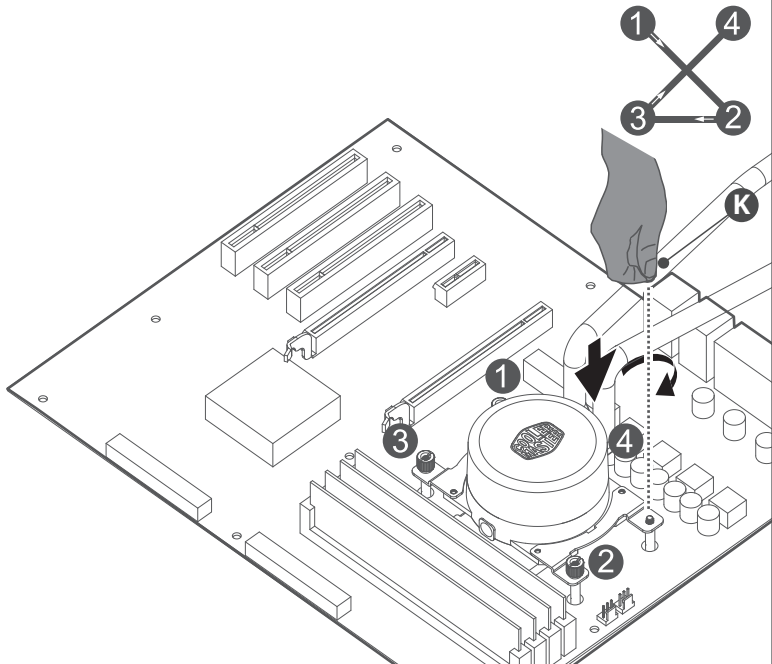
11. AMD Socket AM3+ / AM3 / AM2+ / FM2+ / FM2 / FM1



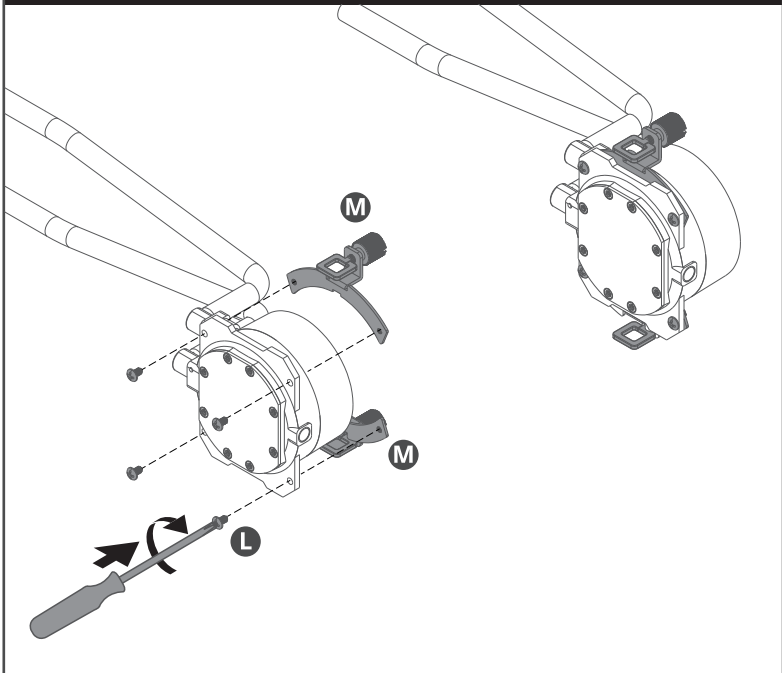
12. AMD Socket AM3+ / AM3 / AM2+ / FM2+ / FM2 / FM1



13. AMD Socket AM3+ / AM3 / AM2+ / FM2+ / FM2 / FM1

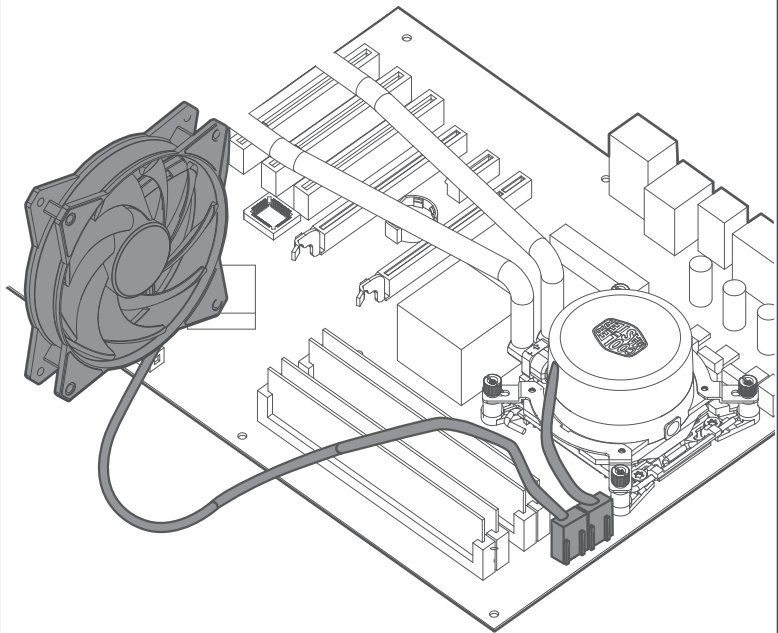


14. AMD Socket AM4 / AM3+ / AM3 / AM2+ / FM2+ / FM2 / FM1



15. AMD Socket AM4 / AM3+ / AM3 / AM2+ / FM2+ / FM2 / FM1





ADDITIONAL INFORMATION

Please visit our website at www.coolermaster.com

Asia Pacific - Cooler Master Technology Inc.
8F., No. 788-1, Zhongzheng Rd., Zhonghe Dist.,
New Taipei City 23586, Taiwan (R.O.C.).
Tel: +886-2-2225-3517

Europe - Cooler Master Europe B.V.
Lodewijkstraat 1b, 5652AC Eindhoven, The
Netherlands
Tel: +31-(0)40-702-0900

China - Cooler Master China
Room 2062, Floor 6, No. 421, Weiqing Rd.,
Jinshan District, Shanghai City, China
Tel: +86-21-51872177

North America - Cooler Master NA
4820 Schaefer Ave. Chino CA. 91710, USA
Tel: +1-888-624-5099

For the most updated information, please visit our official website: www.coolermaster.com /
Cooler Master Support: <https://account.coolermaster.com/>





Make It Yours.



Make It Yours.

MasterLiquid Lite 120

Achieve Litespeed



With its kink-resistant tubing and matt-black styling, the MasterLiquid Lite 120 is a Cooler Master original design and attractive entry into liquid cooling. Reliability, performance and quiet operation are ensured by its unique Dual Dissipation Pump and 120mm Air Balance fan design. Whether you're building new or just upgrading, it's easy to install on the latest Intel or AMD systems and 120mm radiator fits almost all PC chassis.

Features

Easy and Reliable - An easy install, reliable and low noise all-in-one liquid cooler for Intel and AMD systems

Dual Dissipation Pump - Its unique low-profile dual chamber pump design features a low vibration pump for cool and quiet operation.

Robust FEP Tubing - Robust and extra thick FEP tubing ensures kink-resistance to ensure full liquid flow-rate and eliminates potential evaporation.

Air Balance Fan Design - 120mm Air Balance fan's silent driver IC smoothens fan operation, reducing fan clicks and vibrations.

Fits almost all cases - Fits almost all PC chassis with a 120mm fan mount near the CPU area.

Specifications & Packing Information

| | | |
|----------------|-------------------|---|
| Product Name | | MasterLiquid Lite 120 |
| Product Number | | MLW-D12M-A20PW-R1 |
| CPU Socket | | Intel® LGA 2011-v3/ 2011/ 1366/ 1151/1150/ 1156/ 1155/ 775 socket AMD AM4 /AM3+/ AM3/ AM2+/AM2/ FM2+/ FM2/ FM1 socket |
| Main System | Dimensions | 62 x 62 x 36.4 mm (2.4 x 2.4 x 1.4") |
| | Power Connector | 4-Pin |
| Waterblock | Dimensions | 80.3 x 76 x 42.2mm (3.2 x 3.0 x 1.7") |
| Pump | MTTF | 70,000 hours |
| | Noise Level | < 8 dBA |
| | Connector | 3-Pin |
| | Rated Voltage | 12 VDC |
| | Load Current | 0.3 A |
| Radiator | Power Consumption | 3.96 W |
| | Dimension | 157 x 119.6 x 27mm (6.2 x 4.7 x 1.1") |
| Fan | Material | Aluminum |
| | Dimensions | 120 x 120 x 25 mm (4.7 x 4.7 x 1") |
| | Speed | 650 ~ 2000 RPM (PWM) ± 10% |
| | Air Flow | 66.7 CFM ± 10% |
| | Air Pressure | 2.34 mmH ₂ O ± 10% |
| | MTTF | 160,000 hours |
| | Noise Level | 6 ~ 30 dBA |
| | Connector | 4-Pin (PWM) |
| | Rated Voltage | 12 VDC |

| | |
|------------------------------|---------------------|
| EAN code | 4719512055847 |
| UPC code | 884102030918 |
| Net weight | 0.87Kg |
| Gross weight | 1.28Kg |
| Carton dimension (L x W x H) | 21.5 x 21.5 x 14 cm |

| Cont. | W/ Pallet | Carton/ Pallet | W/O Pallet |
|-------|-----------|----------------|------------|
| 20' | 2304 | 24 | n/a |
| 40' | 4608 | 24 | n/a |
| 40 HQ | 5760 | 24 | n/a |