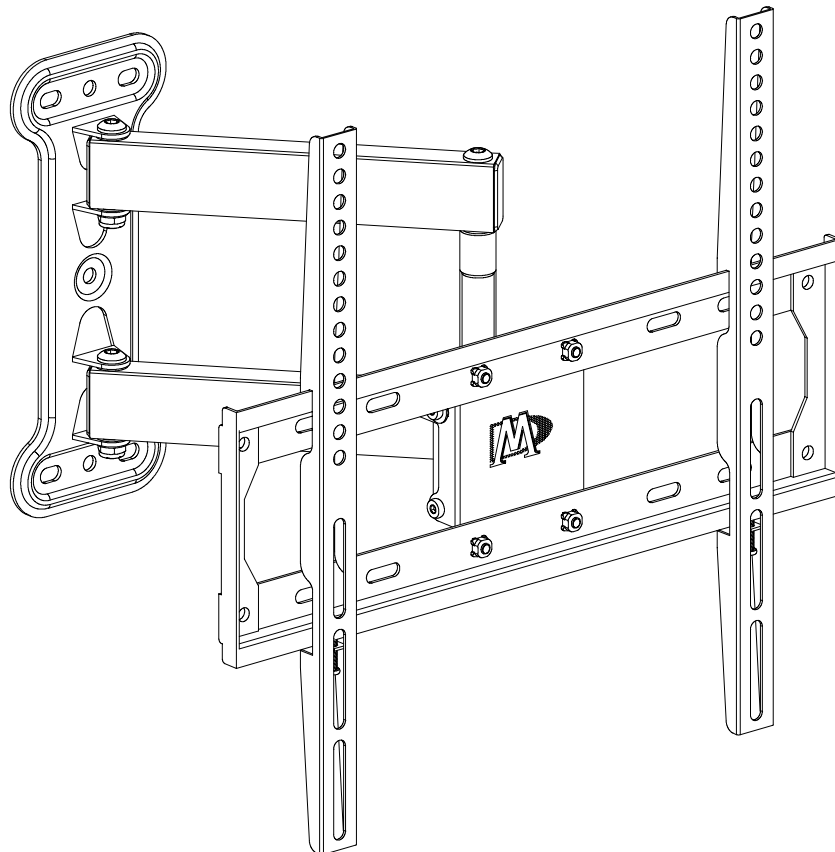


Mounting Dream

INSTALLATION INSTRUCTION



Max VESA:400X400 mm/16X16"

MODEL : MD2377

- Please read this instruction carefully before installation.
- Fits for most 26-55 inches Plasma, LCD and LED TVs.
- Weight capacity: 27 kg (60 LBS).



Thank you for purchase! We strive to provide products and services of exceptional quality. We sincerely invite you to write an unbiased review. For parts missed or installation problems, please contact us at telephone (626) 604-9048 (USA) Mon - Fri 10am - 6pm (Pacific time) or email us by customerservice@mountingdream.com, so that we may solve the issue for you.

(A0)

US WARNING!

Safety Warning: Thank you for choosing Mounting Dream TV mount. For safe application of model MD2377, and preventing yourself or others from danger or property loss, please read through this manual before use. If you do not understand these instructions or have any doubt over safety of installation, please contact qualified contractor or Mounting Dream customer service. Please check carefully before assembly to ensure no parts missed or damaged. Our customer service representative will assist you timely in installation to solve the issue of parts shortage or damage. Replacement parts purchased through authorized distributor will be delivered to your door. Please do not use defective parts. Incorrect installation may result in product damage or body injury. Do not apply this product to any purpose not indicated by Mounting Dream. We shall bear no responsibility for any damage or injury resulted from incorrect installation, incorrect assembly or misuse.

FR AVERTISSEMENT !

Avertissement de sécurité: bienvenue à choisir le support suspendu de téléviseur de la Vue Aérienne, pour garantir un usage sécurisé du produit MD2377, préserver le risque contre vous-même et des tiers et éviter ledommage des biens, veuillez lire soigneusement ce manuel avant l'usage. Si vous ne pouvez pas comprendre cette notice ou en cas de doute sur la sécurité de montage, veuillez téléphoner à un entrepreneur qualifié ou au service client de la Vue Aérienne, avant l'assemblage, veuillez contrôler soigneusement pour éviter les pièces manquantes ou défectueuses, notre représentant de service client va vous fournir une assistance de montage, pour régler les problèmes des pièces manquantes ou défectueuses. Si vous avez commandé le produit après d'un concessionnaire agréé, donc, nous allons livrer directement les pièces de remplacement chez vous, il est interdit d'utiliser les pièces défectueuses, le montage incorrect peut causer le dommage ou la blessure grave. Il est interdit d'utiliser ce produit pour un autre objectif non agréé par la Vue Aérienne, notre société n'assume aucune responsabilité pour le dommage ou la blessure imputable au montage incorrect, à l'assemblage incorrect ou à l'usage inadéquat.

ES ADVERTENCIA!

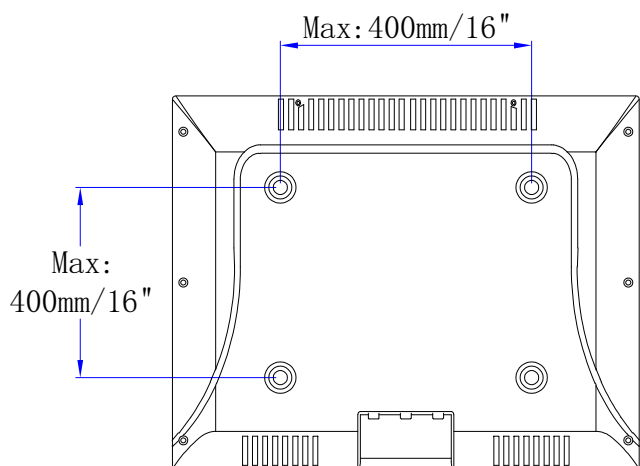
Advertencia de seguridad: Gracias por su opción del producto de soportes para televisión de la marca Kongzhongshijie, para garantizar el uso en seguro del modelo MD2377, evitar al usuario y otras personas sufriendo riesgo de peligrosidad y daños a la propiedad, antes de usar, por favor, lea bien este manual. Si usted no entiende estas instrucciones o existe dudas sobre la seguridad de la instalación, por favor llame a un contratista calificado o Centro de servicio al cliente, Antes de ensamblar, verifique cuidadosamente para asegurarse de que no encuentre la falta de piezas o piezas defectuosos, nuestros representantes de servicio al cliente le ayudará con rapidez para los problemas de instalación, para resolver los problemas de la falta y daño de las piezas. En el caso de que los productos se vendan a través de distribuidores autorizados, las piezas de repuestos serán entregados directamente a su domicilio, no utilice piezas defectuosas, la instalación inadecuada puede causar daños o lesiones graves. No utilizar este producto para cualquier otro propósito que fuera de sus instrucciones, la compañía no es la responsable de los daños o las pérdidas de la mala instalación, la asamblea incorrecta o uso incorrecto.

CN 警告!

安全警告:欢迎您选用空中视界电视挂架。为确保安全的使用MD2377型号产品, 预防自身及其它人员遭遇危险并防止财产受损, 在使用前请仔细阅读此手册, 如果您不理解这些说明或对安装的安全性有任何疑问, 请致电有资格的承包商或与空中视界客户服务部联系。组装前请仔细检查以确保零件无缺少或缺陷, 我们的客户服务代表会迅速为您的安装问题提供协助, 以解决零件的缺少或缺陷问题。通过授权经销商所购产品的替换零件将直接送货上门。切勿使用有缺陷的零件, 安装不正确可能会导致产品损坏或者身体严重受伤。切勿将本产品用于空中视界未明示的任何其它目的, 公司对于安装不正确、装配不正确或使用不当造成的产品损坏和身体受伤不承担任何责任。

Before getting started, let's make sure this mount is perfect for you!

1 Is your TV VESA equal to/greater than 75x75mm/3x3in and equal to/less than 400x400mm/16x16in?



Yes --- Perfect!

No --- This mount is **NOT** compatible.

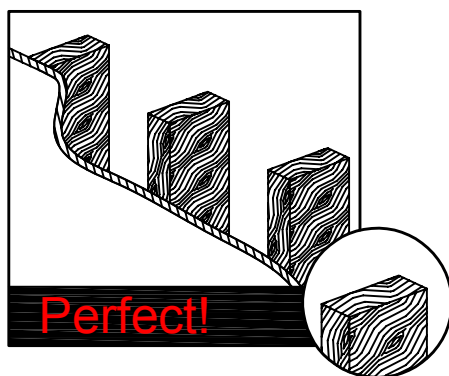
2 Does your TV (including accessories) weigh more than 60 lbs (27kg)?



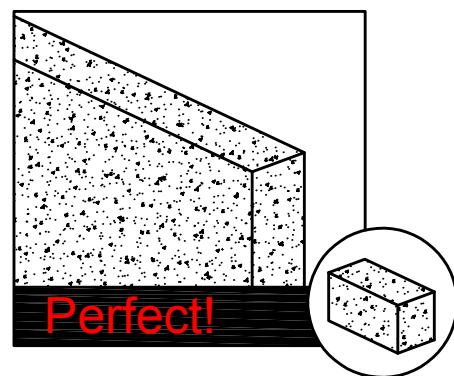
NO --- Perfect!

Yes --- This mount is **NOT** compatible.

3 What is your wall made of?



Drywall with **wood studs?**

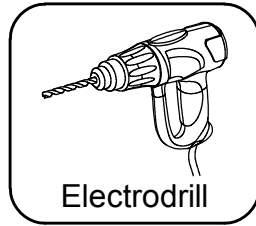
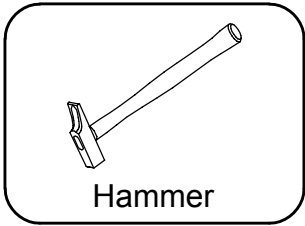
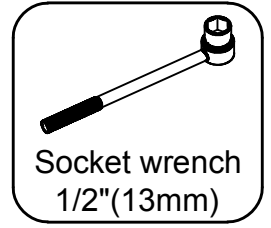
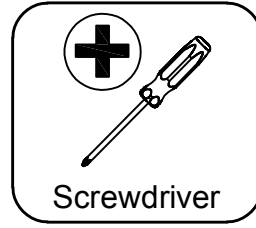
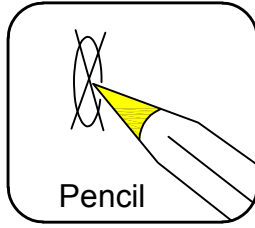
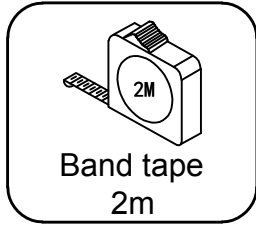
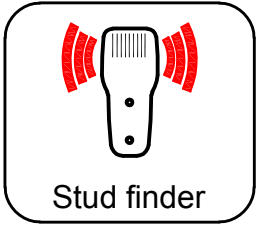


Solid concrete wall?

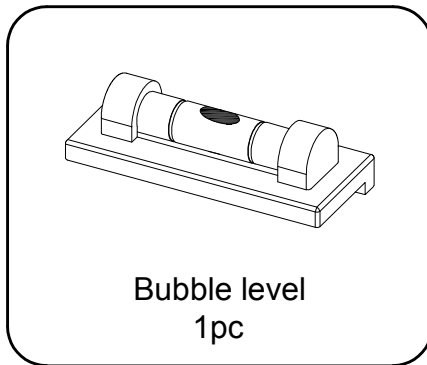
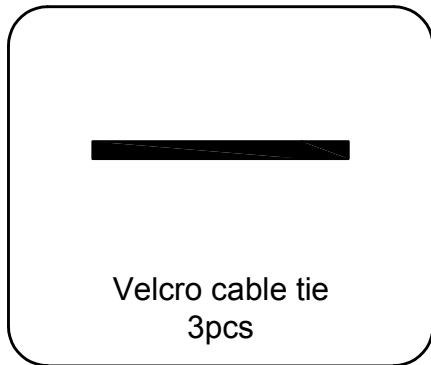
If this mount is **NOT** compatible, please contact customerservice@mountingdream.com to find a compatible mount.

Attention: For parts shortage or damage, please contact us directly by customerservice@mountingdream.com.
New delivery will be timely arranged to replace missed or defective parts.

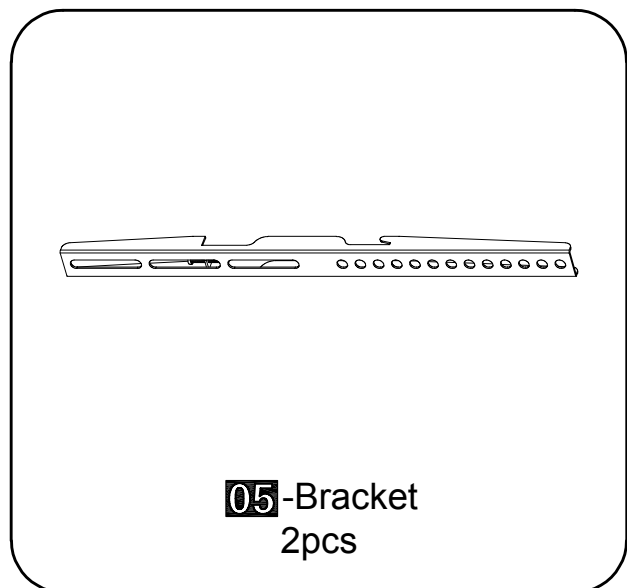
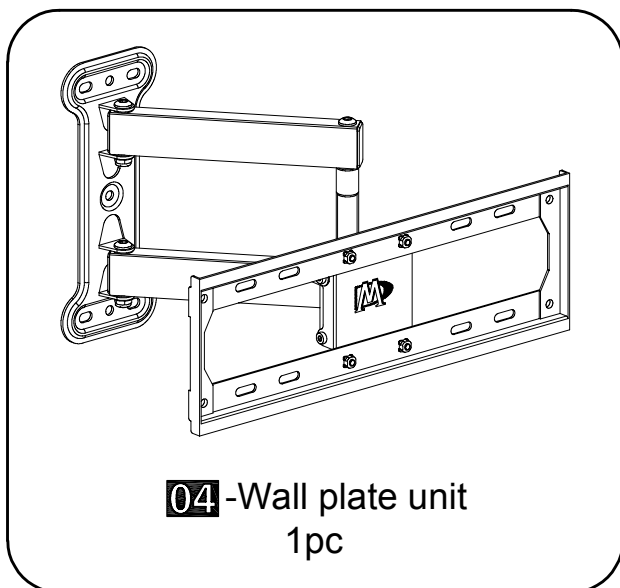
● **Installation tools:**



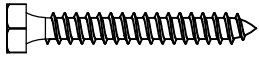
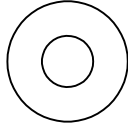

● **Gifts:**



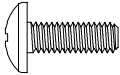
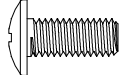
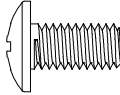
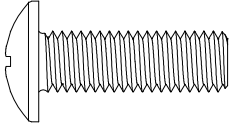
● **Part list:**

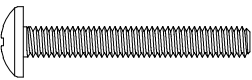
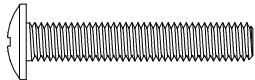
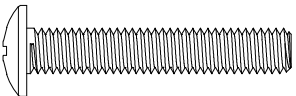
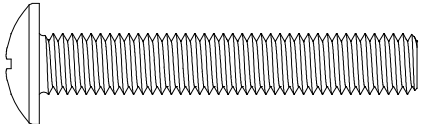


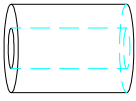
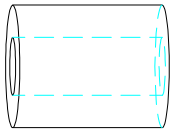
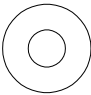
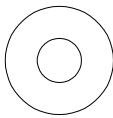
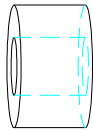

● **Wall mounting hardware:**

		
01 --Lag bolt 4pcs	02 --M8 Washer 4pcs	03 --4mm Allen key 1pc

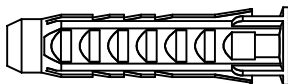
● **TV mounting hardware:**

			
a--M4X12 bolt 4 pcs	b--M5X12 bolt 4 pcs	c--M6X12 bolt 4 pcs	d--M8X25 bolt 4 pcs

			
e--M4X30 bolt 4 pcs	f--M5X30 bolt 4 pcs	g--M6X35 bolt 4 pcs	h--M8X50 bolt 4 pcs

					
i--M5/M6 spacer 4pcs	j--M8 spacer 4pcs	k--M5/M4 washer 4pcs	l--M6 washer 4pcs	m--10mm spacer 4pcs	n--2.5mm spacer 8pcs

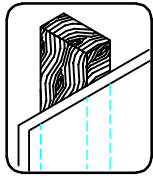
Concrete wall anchor (NOT INCLUDED)



Concrete Wall Anchor
4pcs

Contact us at telephone (626) 604-9048 (USA) Mon - Fri 10am - 6pm (Pacific time) or email us by customerservice@mountingdream.com to have these additional pieces shipped directly to you.

Step 1 Wall plate installation: Wall plate installation in wood stud



drywall with wood stud



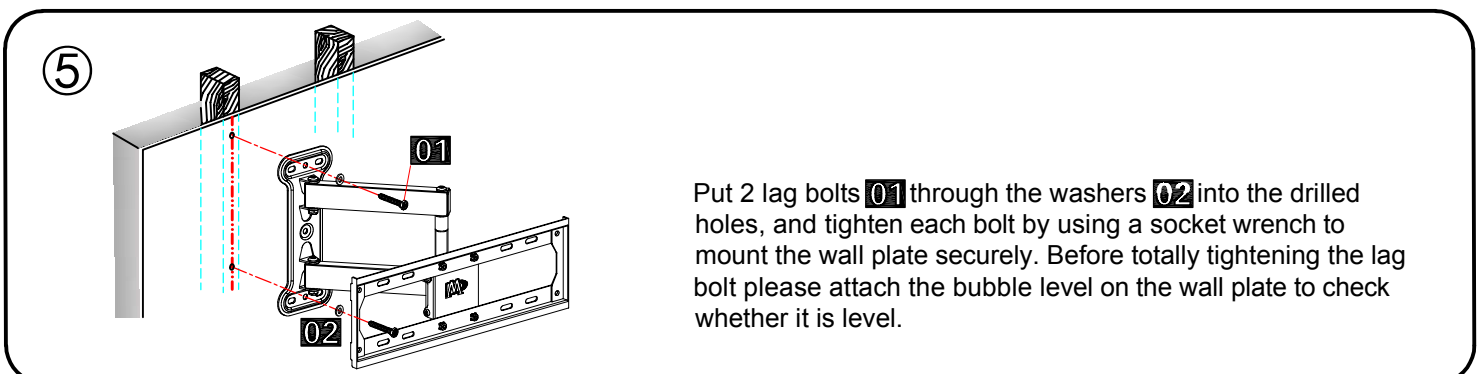
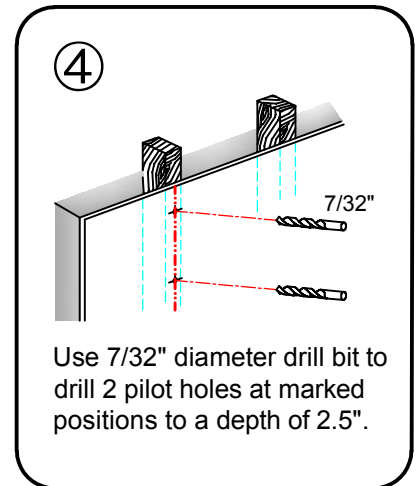
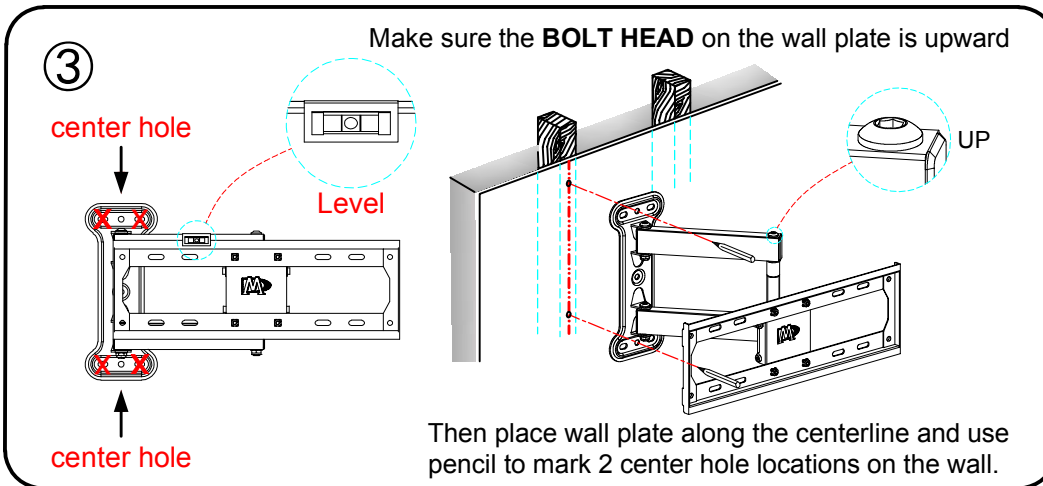
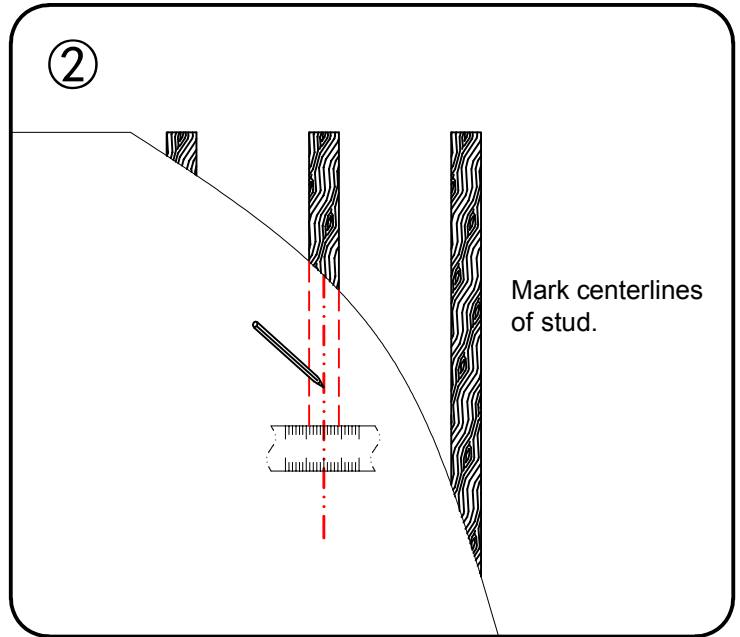
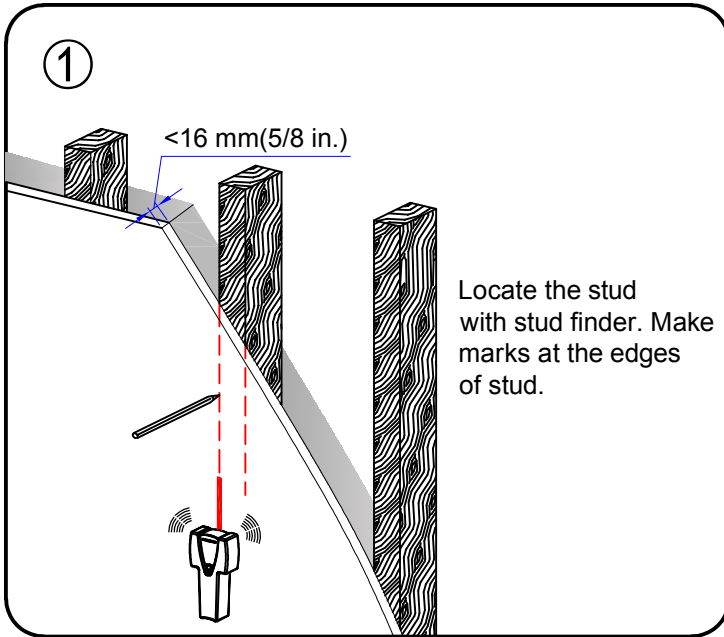
To avoid potential body injury or property damage:

1. Wall mount must be installed into wood stud's center, not drywall alone.
2. Drywall covering the wood stud must not exceed 16 mm (5/8 in.).
3. Minimum wood stud size: common 2 x 4 in(51 x 102 mm). Nominal 1 1/2 x 3 1/2 in(38 x 89mm)
4. The wall must be capable of supporting five times the weight of TV plus mount.
5. Make sure the **BOLT HEAD** on the wall plate is upward as the picture shows.
6. All lag bolts **MUST BE** firmly tightened to prevent unwanted movement of the wall plate.

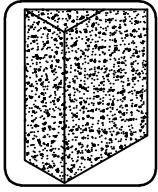
Ensure the wall plate is securely fastened to the wall before continuing on to the next step.

Failure to follow this instruction will possibly lead to TV falling off from wall, and would possibly cause body injuries or property loss.

The wall plate fits for single wood stud installation.



Option 2 Wall plate installation on concrete wall



Concrete wall



To avoid potential personal injury or property damage:

1. Make sure the **BOLT HEAD** on the wall plate is upward as the picture shows.
2. **Solid** concrete wall's thickness should be more than 100mm/4", and the wall must be capable of supporting five times the weight of the TV plus the mount.
3. All anchors/lag bolts **MUST BE** firmly tightened to prevent unwanted movement of the wall plate. Ensure the wall plate is securely fastened to the wall before continuing on to the next step.

①

side holes

Level

UP

side holes

Make sure the **BOLT HEAD** on the wall plate is upward

Level the wall plate and use wall plate as a template and pencil to mark 4 side hole locations on your desired height of the wall.

②

3/8"

Use 3/8" diameter drill bit to drill 4 holes at marked positions to a depth of 2.5".

③

02

01

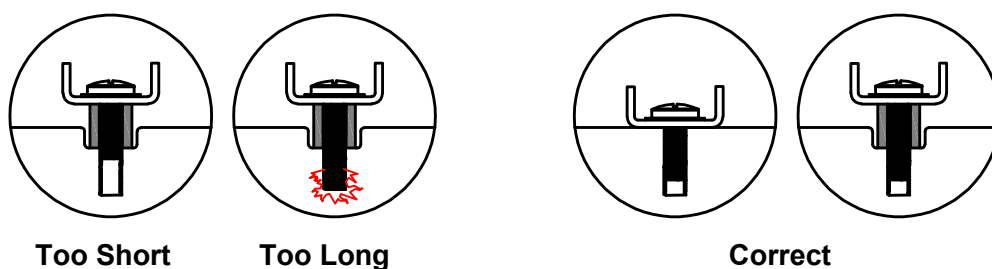
Put 4 Concrete Wall Anchors (not included in the package) into drilled holes, and tap each anchor flush with the wall by using a hammer. Then put 4 lag bolts **01** through the washers **02** into the anchors, and tighten each bolt by using a socket wrench to mount the wall plate securely. Before totally tightening the lag bolt please attach the bubble level on the wall plate to check whether it is level.

Step 2 Select TV hardware (diameter / length / combination)

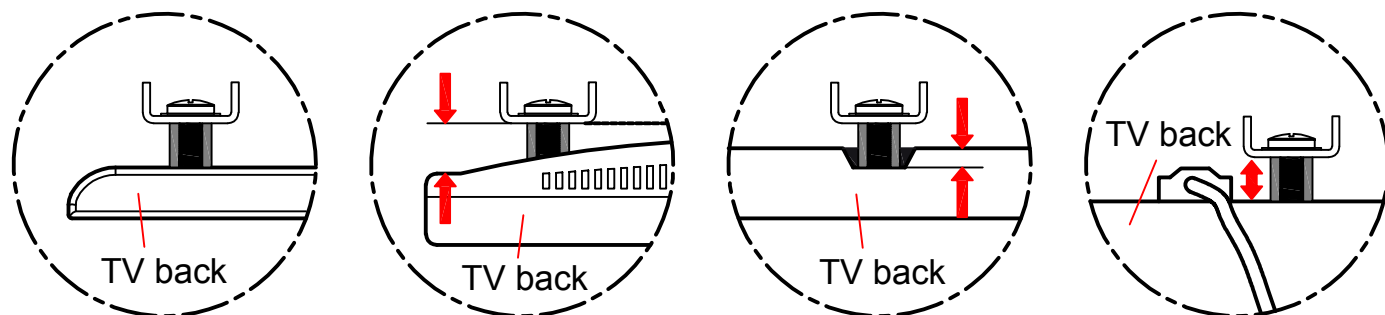
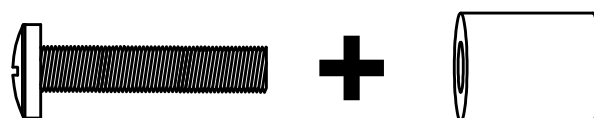
- ① Bolt diameter: hand thread bolts into threaded inserts on the back of TV to determine correct bolt diameter (M4, M5, M6, M8).
- ② Bolt length: verify adequate thread engagement with bolts or bolts/spacers combination. We recommend thread engagement by at least 5 turns.

- Too short will not hold the TV.

- Too long will damage the TV.



- ③ Bolt and spacer combination: spacers sometimes are needed to combine with bolts for several situations.



Add distance to wall

Irregular back

Inset holes

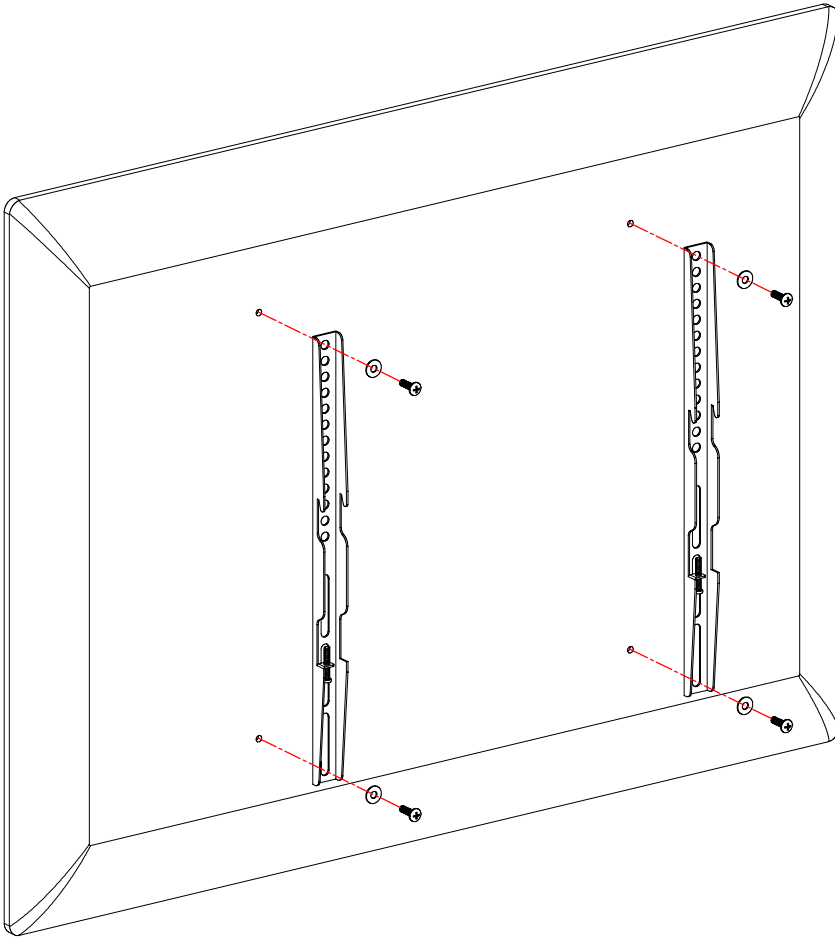
Cables

(For detail bolts and spacers combination, please refer to Page 7)

Carefully lay your TV on a non-abrasive surface, or lay it with a padding underneath it so as not to damage the screen.

Step 3 Attach brackets to the back of TV

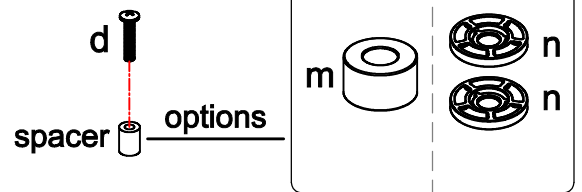
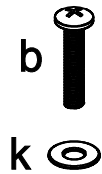
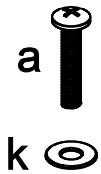
- ① For the TV with flat back, mount the brackets with bolt/washer/spacer combination.



Tips:

- Make sure the ends of TV brackets **05** with round holes are facing upward.
- Round hole is for upper VESA hole, and long slot hole for lower VESA hole. Please try best to locate brackets symmetrically (top & bottom) at the back of TV to avoid brackets stick out.
- Attention: Screw in bolts a bit, then pull upward brackets to reduce the gap between bolts and bolt holes to make two brackets parallel. Then fasten bolts.

Bolt/spacer/washer combination options (only for reference)

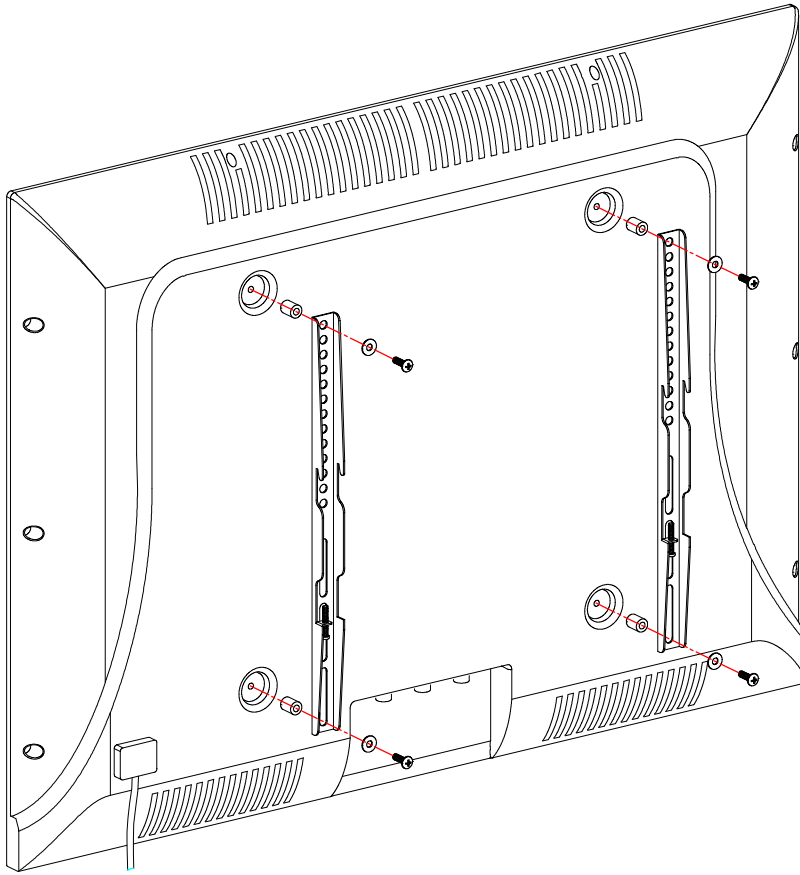


Tips: You have to remove the inner circle of 2.5mm washer (n) in order to fit the M8 (d) bolt.

Carefully lay TV on a non-abrasive surface, or with a padding underneath it so as not to damage the screen.

② For TV with inset mounting holes, mount the brackets with bolt/washer/spacer combination.

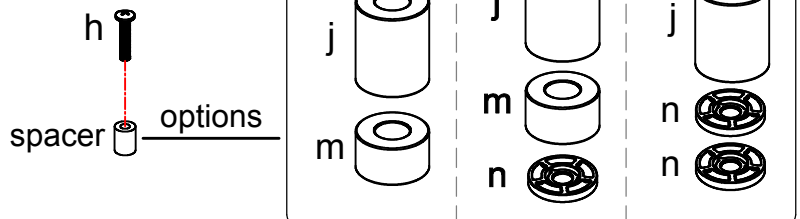
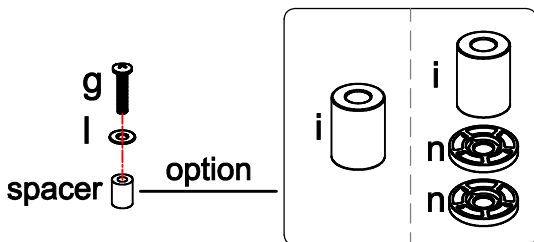
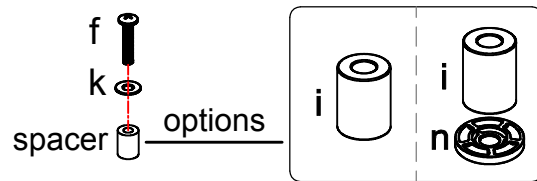
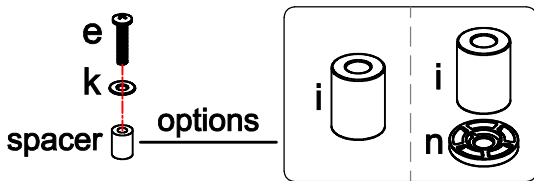
(Spacers are highly recommended to be added, thus enlarge the space between TV and brackets for better functionality.)



Tips:

- Make sure the ends of TV brackets **05** with round holes are facing upward.
- Round hole is for upper VESA hole, and long slot hole for lower VESA hole. Please try best to locate brackets symmetrically (top & bottom) at the back of TV to avoid brackets stick out.
- Attention: Screw in bolts a bit, then pull upward brackets to reduce the gap between bolts and bolt holes to make two brackets parallel. Then fasten bolts.

Bolt/spacer/washer combination options (only for reference)

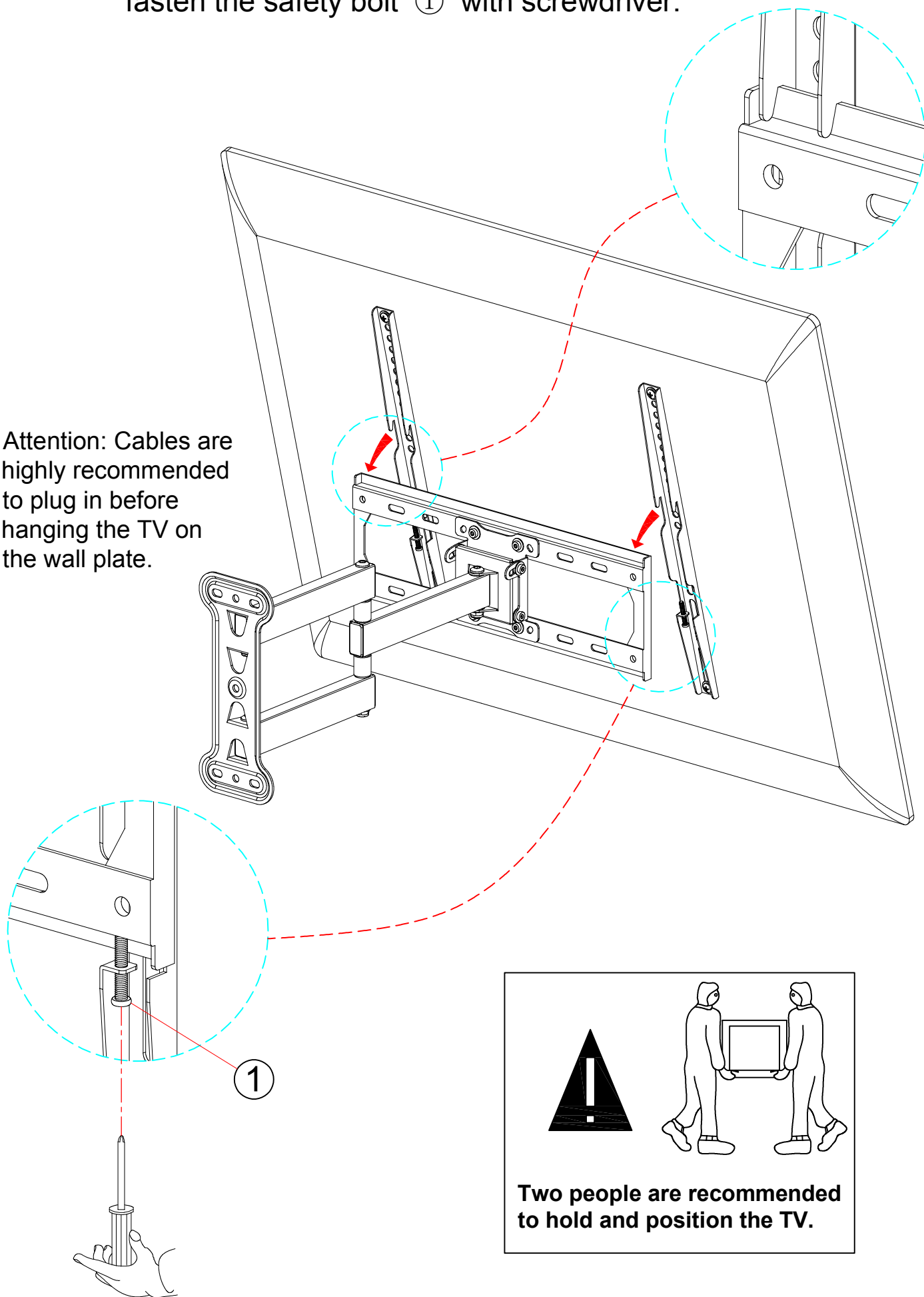


Tips: You have to remove the inner circle of 2.5mm washer (n) in order to fit the M6 (g) or M8 (h) bolt.

Carefully lay TV on a non-abrasive surface, or with a padding underneath it so as not to damage the screen.

Step 4 Hang the pre-assembled TV unit on the wall plate unit, then fasten the safety bolt ① with screwdriver.

Attention: Cables are highly recommended to plug in before hanging the TV on the wall plate.



Step 5 Level the mount ($\pm 3^\circ$):

Loosen 4 leveling bolts by MAXIMUM 2 turns to adjust the TV plate, and fasten leveling bolts with Allen key **03** after adjustment. (figure 1)
WARNING: Don't over loose the bolts to prevent the TV falling off.

4 Leveling bolts

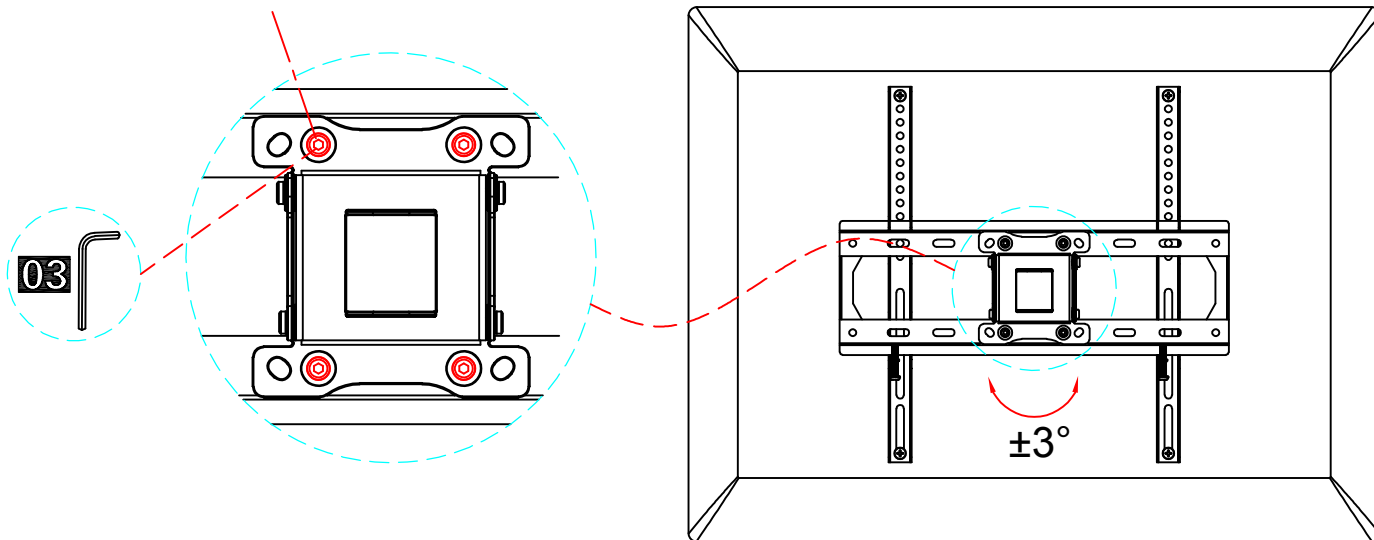


figure 1

Step 6 Tilting angle adjustment ($+5^\circ/-15^\circ$):

Pull TV to your desired angle then fasten 2 tilting bolts with Allen key **03**. (figure 2)

Tilting bolts

Tilting bolts

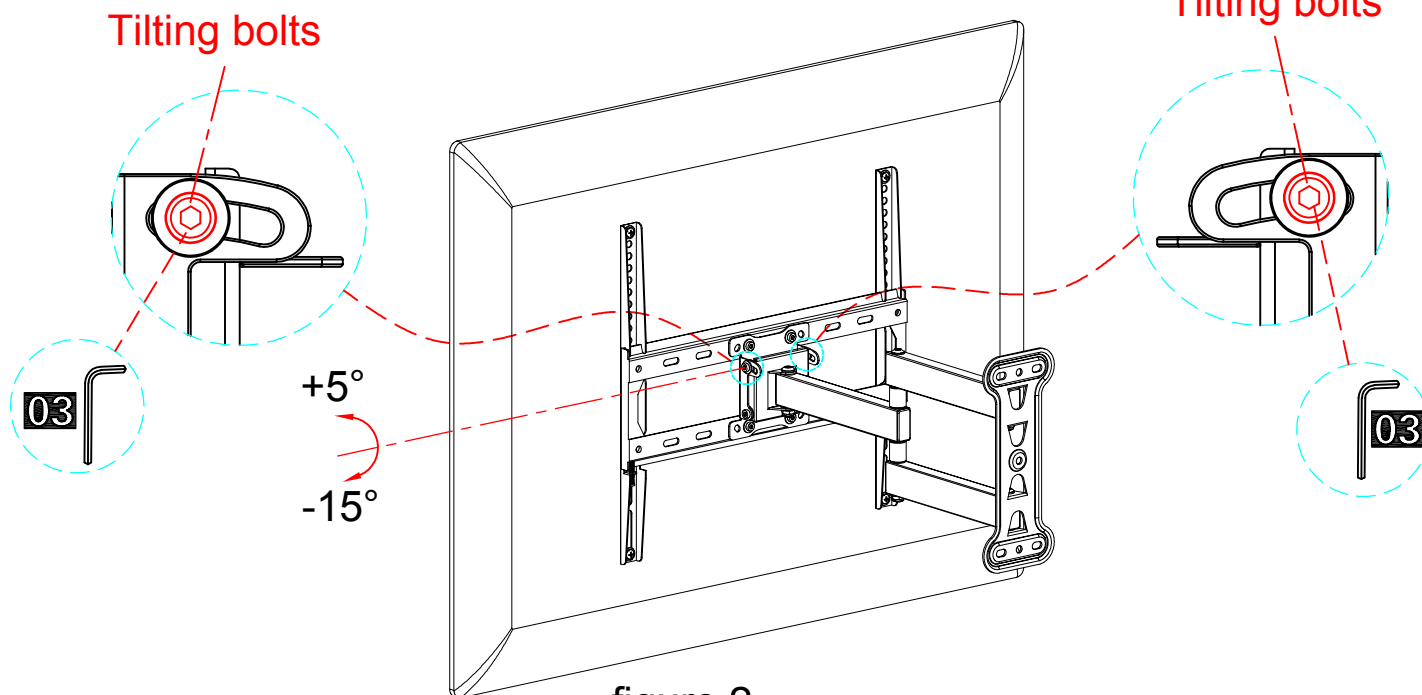
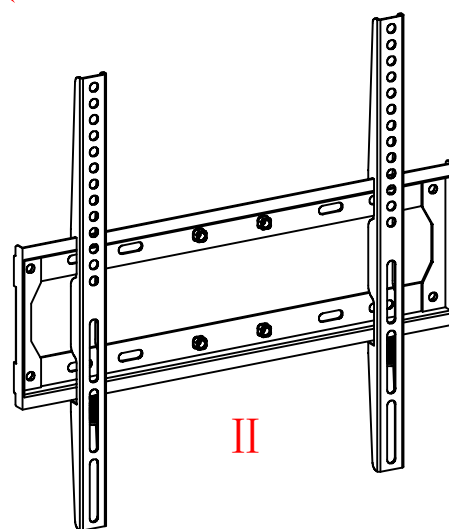
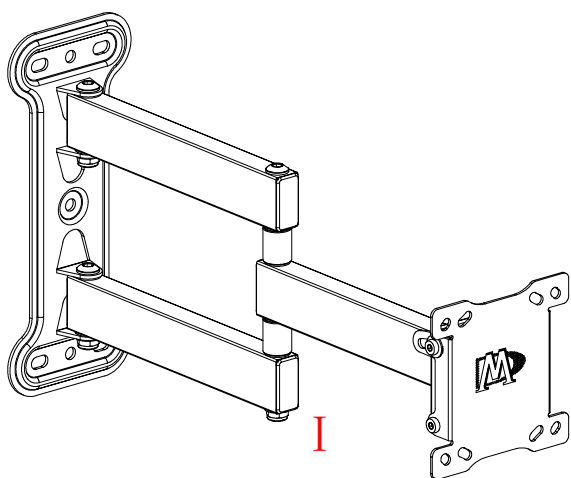
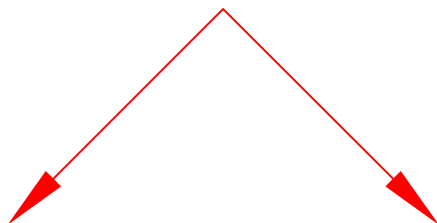
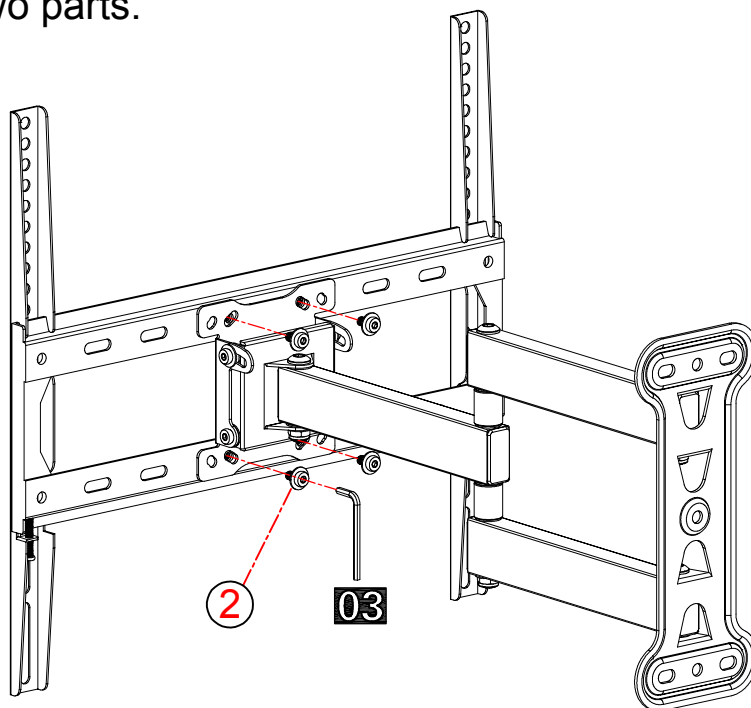


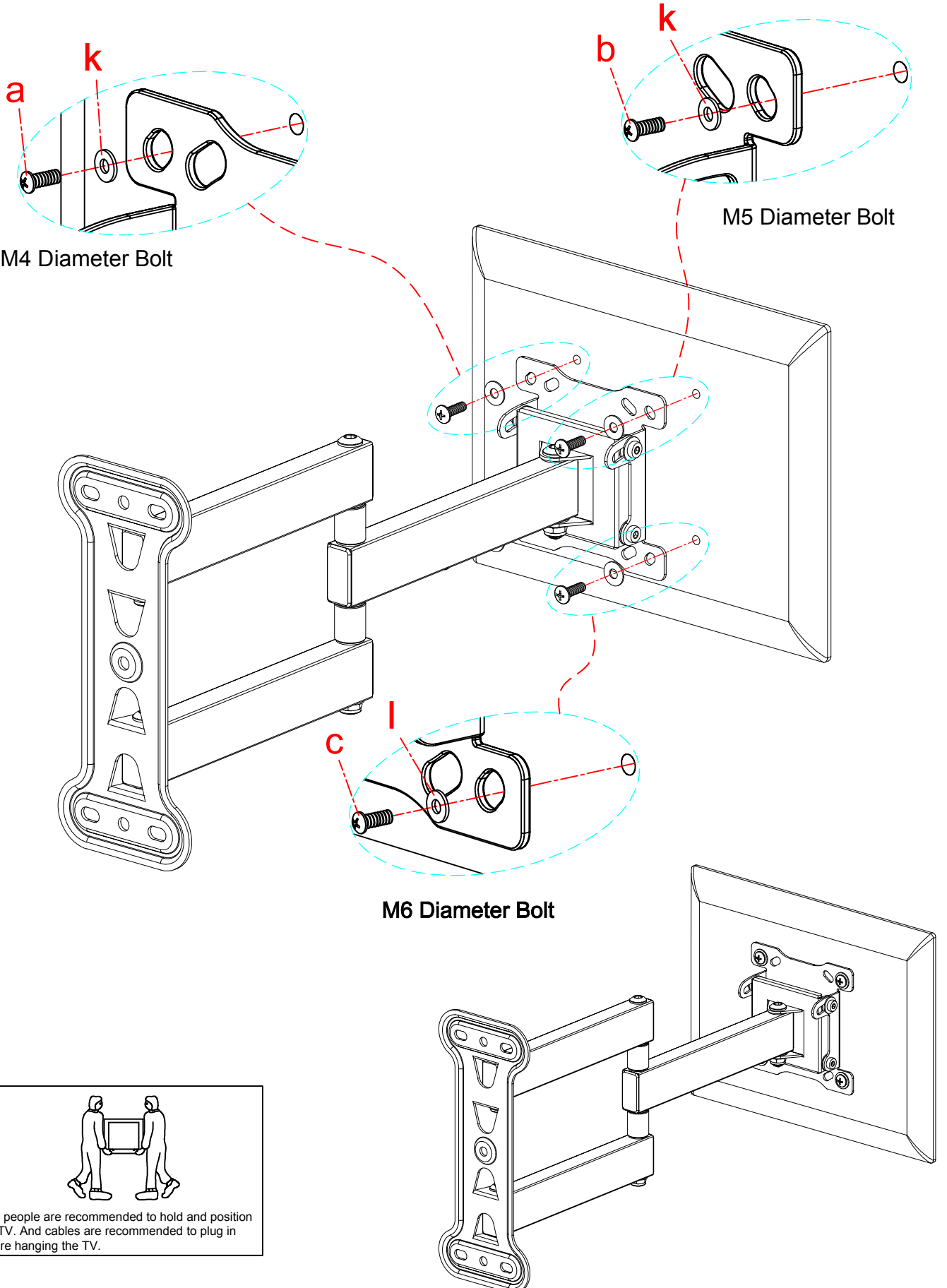
figure 2

This mount can be separated into two parts and use as two mounts, as follow:

Step 1 Remove the four bolts ② with Allen key 03 to separate wall plate unit (A) into two parts.

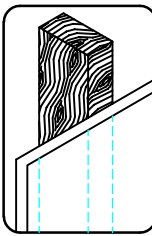


Part I can be adapted to the TV with 100x100mm (4inx4in) VESA dimension. Mount it on the wall (step 1 to step 3 which have been mentioned before), then use the bolts and washers combination of a+k , b+k , c+l to fasten TV to part I .



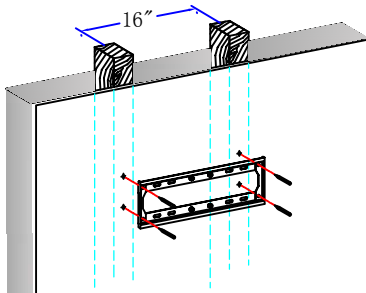
Part II fits for TV with MAX 400mmx400mm (15.75inx15.75in) VESA dimension. Take the following steps as reference. You may need to purchase extra lag bolts and concrete wall anchors according to your actual condition.

● Installation instruction:



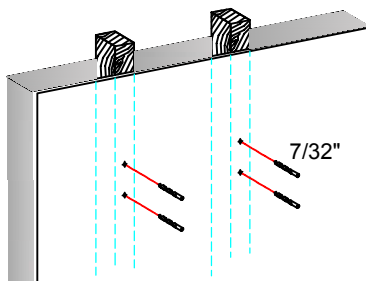
drywall with wood stud

Step 2



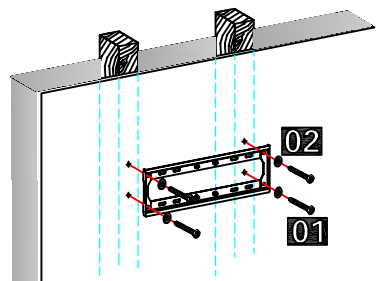
Use a stud finder to make marks at the edges of two studs, and mark centerlines of studs. Then place wall plate along the centerlines and use pencil to mark 4 hole locations on the wall.

Step 3



Use 7/32" diameter drill bit to drill 4 pilot holes at marked positions to a depth of 2.5".

Step 4



Put 4 lag bolts **01** through the washers **02** into the drilled holes, and tighten each bolt by using a socket wrench to mount the wall plate securely. Before totally tightening the lag bolt please attach the bubble level on the wall plate to check whether it is level.

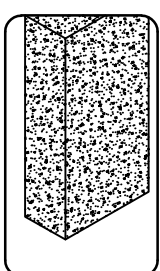
The wall plate fits for 8", 16" wood stud spacing, please choose corresponding holes in the wall plate for installation.

To avoid potential personal injury or property damage:



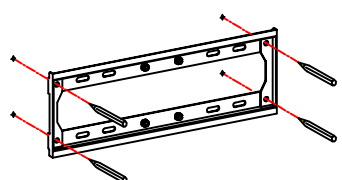
CAUTION

1. Only fits for **solid** concrete wall (thickness more than 100mm/4") and wood stud (thickness more than 50mm/2"). This product is designed for use in wood stud, solid concrete walls-DO NOT install drywall alone. The wall must be capable of supporting five times the weight of the TV plus the mount.
2. All anchors/lag bolts **MUST BE** firmly tightened to prevent unwanted movement of the wall plate. Ensure the wall plate is securely fastened to the wall before continuing on to the next step.



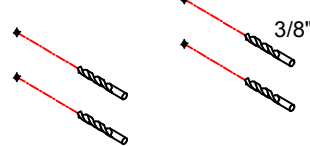
Concrete wall

Step 2



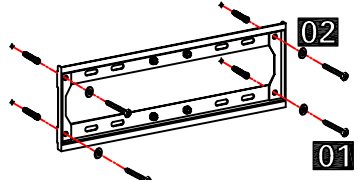
Level the wall plate and use wall plate as a template and pencil to mark 4 hole locations on your desired height of the wall.

Step 3



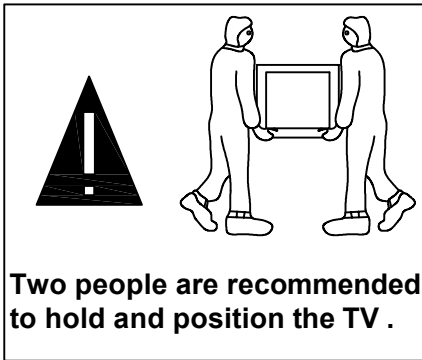
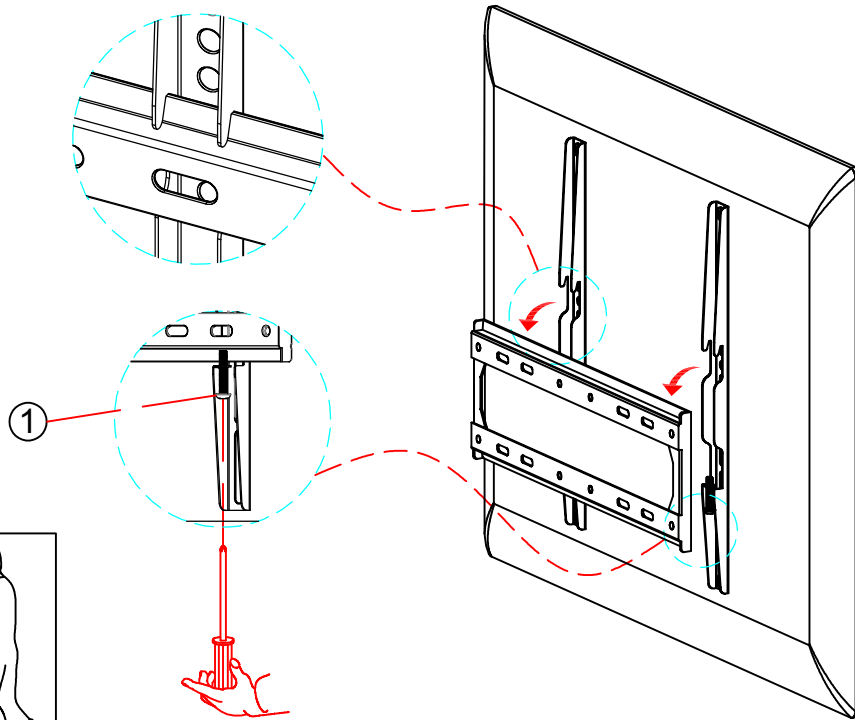
Use 3/8" diameter drill bit to drill 4 holes at marked positions to a depth of 2.5".

Step 4



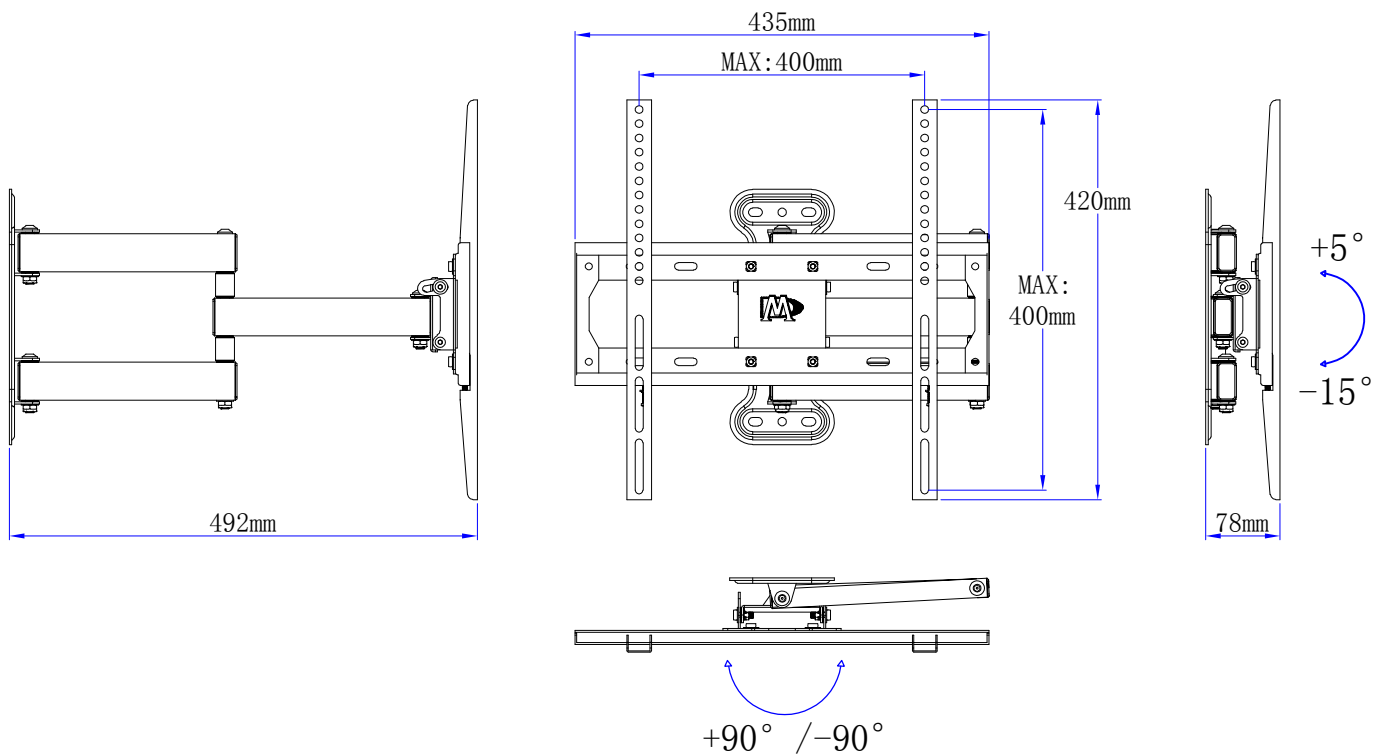
Put 4 Concrete Wall Anchors (not included in the package) into drilled holes, and tap each anchor flush with the wall by using a hammer. Then put 4 lag bolts **01** through the washers **02** into the anchors, and tighten each bolt by using a socket wrench to mount the wall plate securely. Before totally tightening the lag bolt please attach the bubble level on the wall plate to check whether it is level.

Step 5 Hang the pre-assembled TV unit on the wall plate unit, then fasten the safety bolt ① with screwdriver.



Attention: Cables are highly recommended to plug in before hanging the TV on to the wall plate.

Product dimensions:



If you have any questions about the installation, please feel free to contact us at telephone (626) 604-9048 (USA)
Mon - Fri 10am - 6pm (Pacific time) or email us by customerservice@mountingdream.com .
For more information, please visit our website: www.mountingdream.com