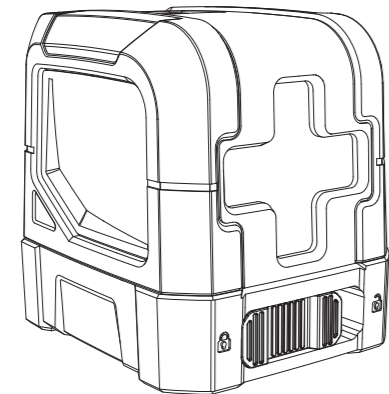


TACKLIFE

User Manual
Mini Cross Line Laser

Model: SC-L01



Shenzhen Temie Technology Co., Ltd.
Web: www.tacklife.net
E-mail: support@tacklife.net
ADD: No.31, Qing Linxi Road, Longgang
District, Shenzhen, Guangdong, China 518172 CN



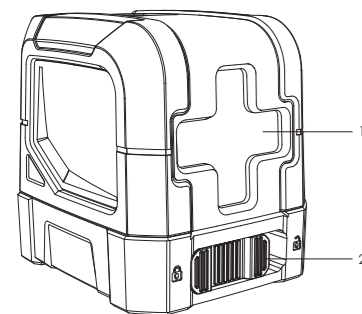
Contents

Congratulations!
You have chosen one of our laser tools that's guaranteed reliable and tough for professional tool users at various job sites.

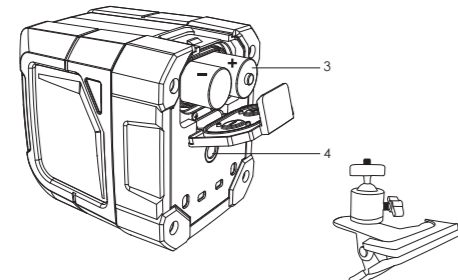
- Safety
- Product Overview
- Operation Modes
- Applications
- User Guide, Maintenance and Care
- Specifications
- Warranty

Product Overview

1. Laser Windows
2. Power/Lock
3. Battery Compartment
4. 1/4-20 Mounting Thread



- EN -



Safety

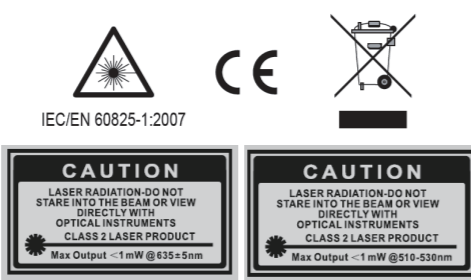
WARNING:
Read the Safety Instructions and User Manual thoroughly before using this product. All users must fully understand and adhere to these instructions.

CAUTION:
While the product is in operation, be careful not to expose your eyes to the emitting laser beam (red or green light source). Exposure to a laser beam for an extended time may be hazardous to your eyes.

CAUTION:
Glasses may be supplied in some of the laser tool kits. These are NOT certified safety glasses. These glasses are ONLY used to enhance visibility of beam in brighter environments or at greater distances from laser source.

WARNING:
The following label/print samples are placed on the product to inform of the laser class for your convenience and safety.

- EN -



• Do not stare directly into the beam or view directly with optical instruments or set up the laser at eye level.

• Do not disassemble the laser tool. There are no user serviceable parts inside.

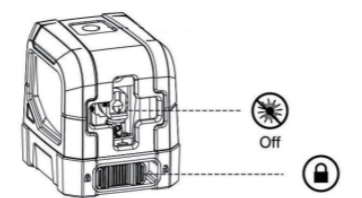
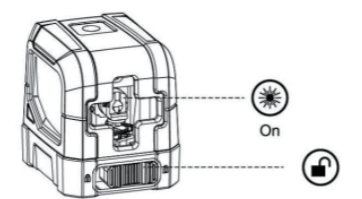
• Do not modify the laser in any way. Modifying the tool may result in hazardous Laser Radiation Exposure.

• Do not operate the laser around children or allow children to operate the laser. Serious eye injury may result.

• An exposure to the beam of a Class 2 laser is considered safe for a maximum of 0.25 seconds. Eyelid reflexes will normally provide adequate protection.

- EN -

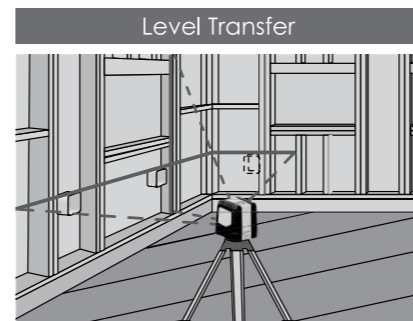
Operation Modes



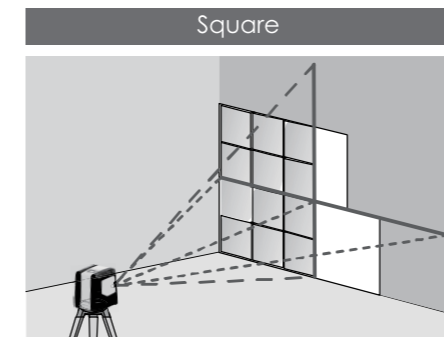
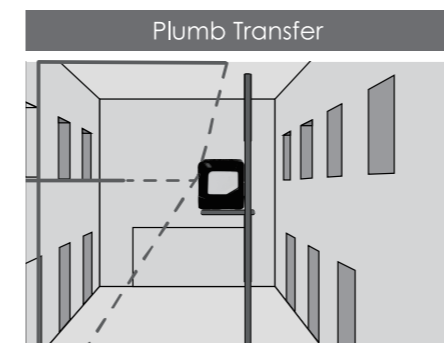
- EN -

1. Unlock the laser tool by switching to the Unlocked Position to turn the laser tool ON and project the cross line.
2. Lock the laser tool by switching to the Locked Position to turn the laser tool OFF and shut off the cross line.
3. Short press the key on the keypad while the laser tool is powered On in the Unlocked Position to deactivate or activate out-of-self-leveling alert.
4. Laser beams will flash once every 5 seconds when out of self-leveling range alert in the Unlocked Position is deactivated.
5. Laser beams will flash twice a second when the laser tool is out of its self-leveling range in the Unlocked Position with its self-leveling range alert activated.

Applications



- EN -



- EN -

User Guide, Maintenance and Care

• The laser tool is sealed and calibrated at the plant to the accuracies specified.

• It's recommended to carry out an accuracy check before its first use and periodic checks during future use especially for precise layouts.

• When not in use please power OFF the tool and place the pendulum lock in its locked position.

• In Manual Mode, self leveling is OFF. The accuracy of the beam is not ensured to be level.

• Do not short any battery terminals or charge alkaline batteries or dispose of batteries in fire.

• Do not mix old and new batteries. Replace all of them at the same time with new batteries of the same brand and type.

• Keep batteries out of reach of children.

• Remove batteries if the tool will not be used for several months.

• Do not store the laser tool in direct sunlight or expose it to high temperatures. The housing and some internal parts are made of plastics and may become deformed at high temperatures.

• Exterior plastic parts may be cleaned with a damp cloth. Although these parts are solvent resistant, NEVER use solvents. Use a soft, dry cloth to remove moisture from the tool before storage.

• Store the tool in its case when not in use. If storing for extended time, remove batteries before storage to prevent possible damage.

- EN -

- Do not dispose of this product with household waste.
- Always dispose of batteries per local code.

• Please recycle in line with local provisions for the collection and disposal of electrical and electronic waste under the WEEE Directive.

Specifications – Red Beams

(10 mw diode used to split beams)

Laser Class	Class 2 (IEC/EN60825-1/2007)
Laser Wavelength	635±5nm
Leveling Accuracy	±4.5mm/15m
Horizontal/Vertical Accuracy	±4.5mm/15m
Leveling/Compensation Range	4°±1°
Working Distance (Line)	15m
Working Distance (Line with Detector)	35m
Operating Time	approximately 12Hours (10 mw diode used to split beams)
Power Source	2x "AA" (LR6)
IP Rating	IP54
Operation Temperature Range	-10°C – +50°C
Storage Temperature Range	-20°C – +70°C

Warranty

We are confident of the quality of our products and offer outstanding guarantee for professional users of the products. This statement is in addition to and in no way prejudices your contractual rights as a professional user

- EN -

or your statutory rights as a private non-professional user. We warrant our laser level(s) against faults in materials and/or workmanship for one year from date of purchase provided that:

- Proof of purchase is produced.

• Service/repairs have not been attempted by unauthorized persons:

• The product has been subject to fair wear and tear;

• The product has not been misused;

Defective products will be repaired or replaced, free of charge or at our discretion, if sent together with proof of purchase to our authorized distributor(s).

This Warranty does not cover faults caused by accidental damage, unfair wear and tear, and use other than in accordance with the manufacturers' instructions or repair or alteration of this product not authorized by us.

Repair or replacement under this Warranty does not affect the expiry date of the Warranty.

To the extent permitted by law, we shall not be liable under this Warranty for indirect or consequential loss resulting from faults in this product. This Warranty may not be varied without our authorization. Calibration and care are not covered by warranty.

NOTE:

The customer is responsible for the correct use and care of the tool. Moreover, the customer is completely responsible for periodically checking the accuracy of the laser, and therefore for the calibration of the tool

- EN -