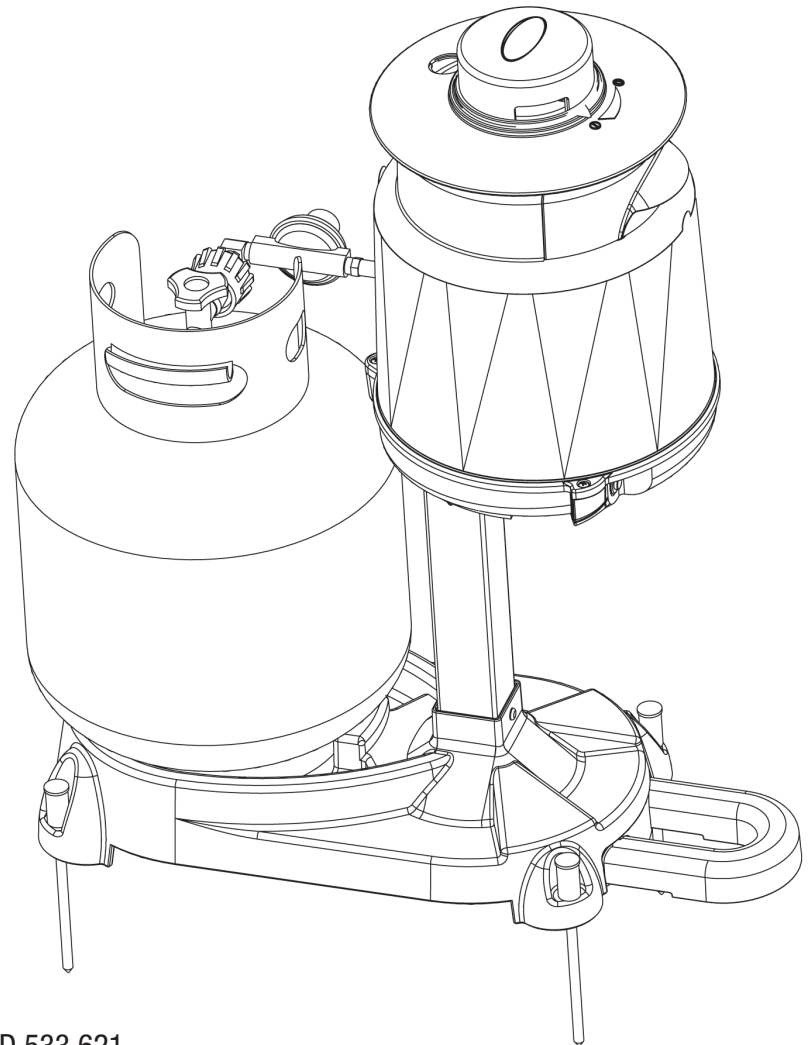


Outdoor LP Gas Insect Trap

Model No. SV3100



U.S. Patent Number: D,533,621

DANGER

CARBON MONOXIDE HAZARD

- This appliance can produce carbon monoxide which has no odor.
- Using it in an enclosed space can kill you.
- Never use this appliance in an enclosed space such as a camper, tent, car or home.

WARNING

FOR YOUR SAFETY:

For Outdoor Use Only
(outside any enclosure)

WARNING

FOR YOUR SAFETY:

1. Improper installation, adjustment, alteration, service or maintenance can cause injury or property damage.
2. Read the installation, operation, and maintenance instructions thoroughly before installing or servicing this equipment.
3. Failure to follow these instructions could result in fire or explosion, which could cause property damage, personal injury, or death.
4. This instruction manual contains Important information necessary for the proper assembly and safe use of the appliance.
5. Read and follow all warnings and instructions before assembling and using the appliance.
6. Follow all warnings and instructions when using the appliance.
7. Keep this manual for future reference.

DANGER

If you smell gas -

1. Shut off gas to appliance.
2. Extinguish any open flame.
3. If odor continues, keep away from the appliance and immediately call your gas supplier or your fire department.

WARNING

FOR YOUR SAFETY:

1. Do NOT store or use gasoline or other flammable liquids or vapors in the vicinity of this or any other appliance.
2. An LP cylinder not connected for use shall NOT be stored in the vicinity of this or any other appliance.

WARNING

FOR YOUR SAFETY:

Keep out of reach of children.

Table of Contents

Important Safeguards	Page 2
Expanded View & Hardware	4
Assembly Instructions	5
Installing LP Gas Tank	8
Important Information	9
Operating Instructions	9
Cleaning and Care	10
Product Registration	10
Replacement Parts	10
Limited Warranty	10
Troubleshooting	11

The use and installation of this product must conform to local codes. In absence of local codes, use the *National Fuel Gas Code, ANSI Z223.1/NFPA 54, Natural Gas and Propane Installation Code, CSA B149.1, or Propane Storage and Handling Code, B149.2*

THIS INSTRUCTION BOOKLET CONTAINS IMPORTANT SAFETY INFORMATION. PLEASE READ AND KEEP FOR FUTURE REFERENCE.

If you are assembling this unit for someone else, give this manual to him or her to read and save for future reference.

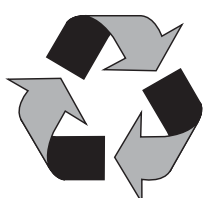
California Proposition 65: Combustion by-products produced when using this product contain chemicals known to the State of California to cause cancer, birth defects, and other reproductive harm.

California Proposition 65: Wash your hands after handling this product.

California Proposition 65: Handling the brass material on this product exposes you to lead, a chemical known to the State of California to cause cancer, birth defects, or other reproductive harm.



Manufactured in China for: Blue Rhino Global Sourcing, Inc.
Winston-Salem, NC 27105 USA • 1.888.753.7137 • BlueRhino.com
© Blue Rhino Global Sourcing, Inc.
SkeeterVac,® FineTune,® WaveDrawer® and TacTrap™ are trademarks of Blue Rhino Global Sourcing, Inc.
Blue Rhino® and It's Not Just Propane.® are registered trademarks of Ferrellgas, L.P.



Made from 75% Bagasse
(environmentally friendly sugar
cane pulp by-product)

Important Safeguards

- ▲ **DANGER:** Failure to follow the dangers, warnings and cautions in this manual may result in serious bodily injury or death, or in a fire or an explosion causing damage to property.
-
- ▲ **WARNINGS:**
 - ▲ This insect trap is for outdoor use only, and should not be used in a building, garage or any other enclosed area.
 - ▲ Do NOT operate, light or use this insect trap within ten feet (3.05 m) of walls, structures or buildings.
 - ▲ For residential use only. This insect trap is NOT for commercial use.
 - ▲ It is a violation of Federal law to use this product in a manner inconsistent with its labeling.
 - ▲ This insect trap is not intended for and should never be used as a heater. TOXIC fumes can accumulate and cause asphyxiation.
 - ▲ This insect trap is safety certified for use in the United States and/or Canada only. Do NOT modify for use in any other location. Modification will result in a safety hazard and will void your warranty.
 - ▲ This insect trap is for use with liquid propane (LP) gas only. The conversion to or attempted use of natural gas in this LP gas insect trap is dangerous, may cause bodily harm and will void your warranty.
 - ▲ LP gas characteristics:
 - a. LP gas is flammable and hazardous if handled improperly. Become aware of the characteristics before using any LP gas product.
 - b. LP gas is explosive under pressure, heavier than air, and settles/pools in low areas.
 - c. LP gas in its natural state has no odor. For your safety, an odorant is added that smells like rotten cabbage.
 - d. Contact with LP gas can cause freeze burns to skin.
 - ▲ LP gas cylinder needed to operate. Only cylinders marked "propane" may be used.
 - ▲ The LP gas cylinder must be constructed and marked in accordance with the *Specifications for LP-gas Cylinders* of the U.S. Department of Transportation (D.O.T.) or the National Standard of Canada, *CAN/CSA-B339, Cylinders, Spheres and Tubes for the Transportation of Dangerous Goods; and Commission*.
 - ▲ LP gas cylinder must be arranged for vapor withdrawal.
 - ▲ The LP gas cylinder must have a listed overfilling prevention device (OPD).
 - ▲ Only use LP gas cylinders equipped with a cylinder connection device compatible with the connection for outdoor cooking appliances.
 - ▲ The LP gas cylinder must have a cylinder collar to protect the cylinder valve.
 - ▲ Never use an LP gas cylinder with a damaged body, valve, collar or footing.
 - ▲ Dented or rusted LP gas cylinders may be hazardous and should be checked by your LP gas supplier prior to use.
 - ▲ The LP gas cylinder should not be dropped or handled roughly.
 - ▲ LP gas cylinders must be stored outdoors out of the reach of children and must not be stored in a building, garage or any other enclosed area. Your cylinder must never be stored where temperatures can reach over 125°F (52°C).
 - ▲ Do NOT insert any tool or foreign object into the valve outlet or safety relief valve. You may damage the valve and cause a leak. Leaking propane may result in an explosion, fire, severe personal injury or death.
 - ▲ Do NOT block holes in sides or back of insect trap.
 - ▲ Never keep an LP gas cylinder in a hot car or trunk. Heat will cause the gas pressure to increase, which may open the relief valve and allow gas to escape.
 - ▲ If insect trap is not in use, the gas must be turned off at the supply cylinder and disconnected.
 - ▲ Do NOT store a spare LP gas cylinder under or near this appliance.
 - ▲ Never fill the cylinder beyond 80 percent full.
 - ▲ A fire causing serious injury or damage to property may occur if the above is not followed exactly.
 - ▲ Place dust cap on cylinder valve outlet whenever the cylinder is not in use. Only install the type of dust cap on the cylinder valve outlet that is provided with the cylinder valve. Other types of caps or plugs may result in leakage of propane.
 - ▲ Never attempt to attach this insect trap to the self-contained LP gas system of a camper trailer, motor home or house.
 - ▲ Never use gasoline, kerosene or alcohol with this product.
 - ▲ Your insect trap has been checked at all factory connections for leaks. Recheck all connections as described in the "Operating Instructions" section, as shipping can loosen connections.
 - ▲ Product performance can vary due to weather, wind and other environmental conditions.
 - ▲ Unit will operate at reduced efficiency below 40°F (5°C).
 - ▲ Check for leaks even if your unit was assembled for you by someone else.
 - ▲ Do NOT operate if a gas leak is present. Gas leaks may cause a fire or explosion.
 - ▲ You must follow all instructions in the "Checking for Leaks" section before operating. To prevent fire or explosion hazard when testing for a leak:
 - a. Always perform a leak test before lighting the insect trap and each time the cylinder is connected for use.
 - b. No smoking. Do NOT use or permit sources of ignition in the area while conducting a leak test.
 - c. Conduct the leak test outdoors in a well-ventilated area.
 - d. Do NOT use matches, lighters, or a flame to check for leaks.
 - e. The use of alcohol, prescription or non-prescription drugs may impair the consumer's ability to properly assemble or safely operate the appliance.
 - f. Strong odors, colds, sinus congestion, etc. may prevent the detection of propane. Use caution and common sense when testing for leaks.
 - g. Do NOT use insect trap until any and all leaks are corrected. If you are unable to stop a leak, disconnect the LP gas supply. Call a gas appliance serviceman or your local LP gas supplier.
 - ▲ This insect trap is designed to operate at an inlet pressure of 11 inches water column.
 - ▲ Do NOT store or use gasoline or other flammable liquids or vapors within 25 feet (7.62 m) of this appliance.
 - ▲ Do NOT use in an explosive atmosphere. Keep insect trap area clear and free from combustible materials, gasoline and other flammable vapors and liquids.
 - ▲ Minimum clearance from sides and back of unit to combustible construction is 36 inches (91.4 cm). Do NOT use this appliance under any type of overhang or roof.
 - ▲ It is essential to keep the insect trap's valve compartment and circulating air passages clean.
 - ▲ Inspect insect trap before each use.
 - ▲ Do NOT alter insect trap in any manner. Any alteration will void your warranty.
 - ▲ Do NOT use the insect trap unless it is COMPLETELY assembled and all parts are securely fastened and tightened.
 - ▲ This insect trap should be thoroughly cleaned and inspected on a regular basis.
 - ▲ Clean and inspect the hose before each use of the appliance. If there is evidence of abrasion, wear, cuts or leaks, the hose must be replaced prior to operation.
 - ▲ Use only the regulator and hose assembly provided. Use only the replacement regulator and hose assembly specified by Blue Rhino Global Sourcing, Inc.
 - ▲ Do NOT hang clothing or other flammable materials either on or near the insect trap.
 - ▲ Use only Blue Rhino Global Sourcing, Inc. factory-authorized parts. The use of any part that is not factory-authorized can be dangerous and will void your warranty.
 - ▲ Do NOT operate this appliance without reading "Operating Instructions" in this manual.

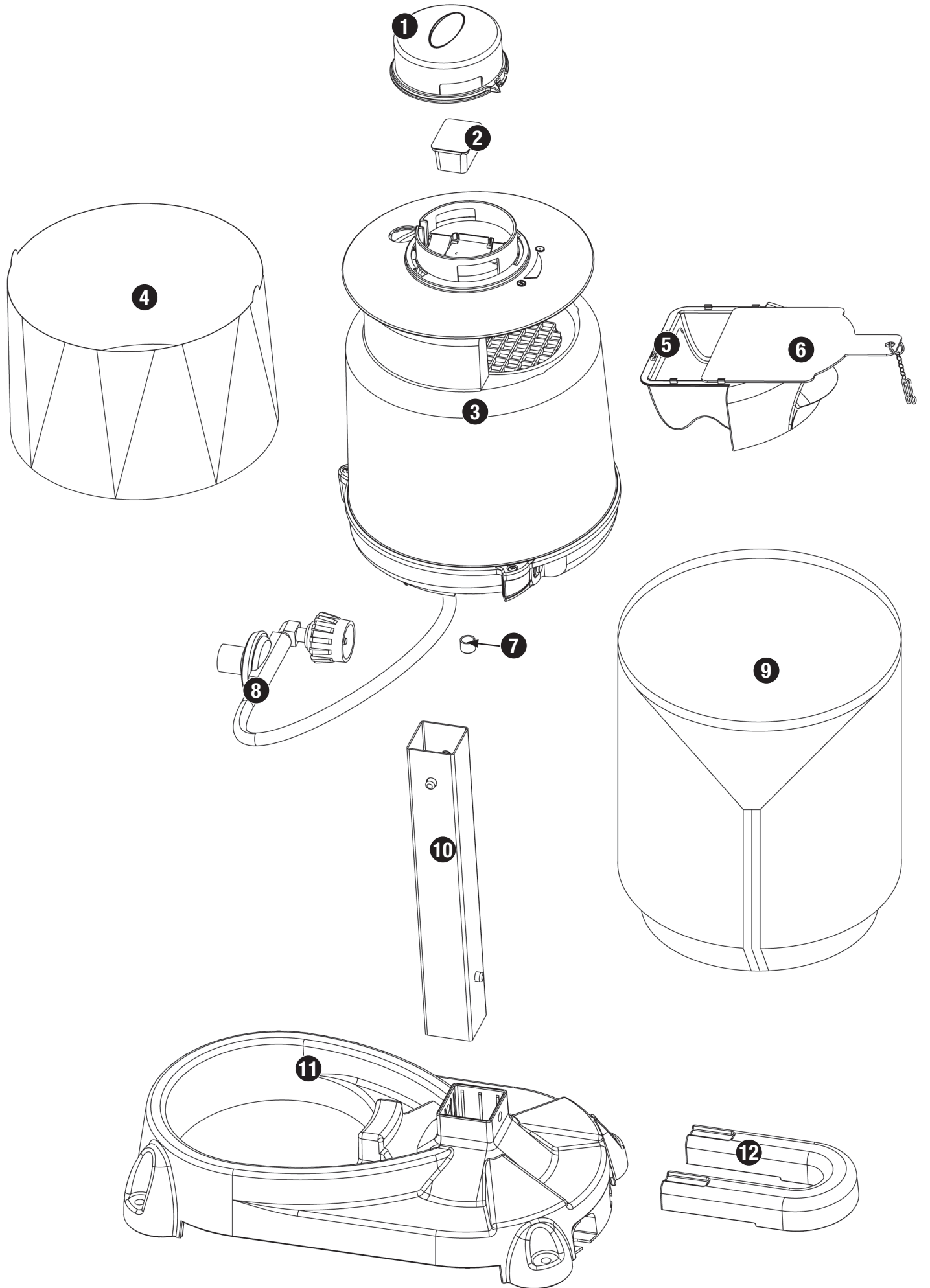
- ⚠ **Do NOT install or use in or on boats or recreational vehicles.**
- ⚠ **Do NOT use insect trap in high winds.**
- ⚠ **Never lean over the insect trap when lighting.**
- ⚠ **Keep children and pets away from insect trap at all times.**
- ⚠ **Do NOT allow children to operate or play near a insect trap when it is in use.**
- ⚠ **If at any time you are unable to light insect trap and smell gas, turn off, wait 5 minutes to allow gas to dissipate before attempting to relight the insect trap.**
- ⚠ **Failure to not wait 5 minutes to allow the gas to clear if the insect trap does not light, may result in an explosive flame-up.**
- ⚠ **Do NOT place anything on the insect trap.**
- ⚠ **Do NOT attempt to move insect trap when in use.**
- ⚠ **LP gas cylinder must be properly disconnected and removed prior to moving this insect trap.**
- ⚠ **Storage of insect trap indoors is permissible only if the cylinder is disconnected, removed from the insect trap and properly stored outdoors.**
- ⚠ **Do NOT attempt to disconnect the gas regulator from the cylinder or any gas fitting while the insect trap is in use.**
- ⚠ **Always place your insect trap on a hard, non-combustible, level surface. An asphalt or blacktop surface may not be acceptable for this purpose.**
- ⚠ **After a period of storage and/or nonuse, check for leaks, obstructions and inspect for any abrasion, wear or cuts to the hose.**
- ⚠ **Use protective gloves when assembling this product.**
- ⚠ **Do NOT force parts together as this can result in personal injury or damage to the product.**
- ⚠ **It is recommended to use only FineTune® mosquito attractant in your insect trap. The use of other attractants have not been tested with your product and results are not guaranteed.**
- ⚠ **Deaths, serious injury or damage to property may occur if the above is not followed exactly.**

Parts List

1	FineTune® Lure Cover	57-07-110
2	FineTune® Lure	CPSX000014
3	Engine Assembly*	57-08-001
4	TacTrap™	CPSX000021
5	WaveDrawer®	57-08-002
6	WaveDrawer® Cover	57-08-003
7	Battery Cap*	57-07-103
8	Regulator/Hose Assembly*	57-07-116
9	LP Gas Tank Cover	57-07-109
10	Post	57-07-114
11	Base	57-07-101
12	Base Insert	57-07-102

* Pre-assembled

Expanded View



Hardware

A	Stake	ø8 x 180 mm Nickel Plated	4 pcs
B	AA Battery		1 pc

Assembly Instructions

1

DO NOT RETURN TO PLACE OF PURCHASE.

For assistance, call **1.888.753.7137** toll-free. Please have your owner's manual and model number available for reference.

Note: The model number is printed on a label which can be found on the side of the engine.

For Easiest Assembly:

1. Select an area where you will assemble this product. To protect components, choose a smooth surface that's free of cracks or openings.
2. Spread out all parts.
3. Tighten all hardware connections by hand first. Then, before completing each step, go back and fully tighten all hardware. Be careful not to over-tighten. That could damage surfaces or strip threads.
4. For best results, complete each step in the order presented.

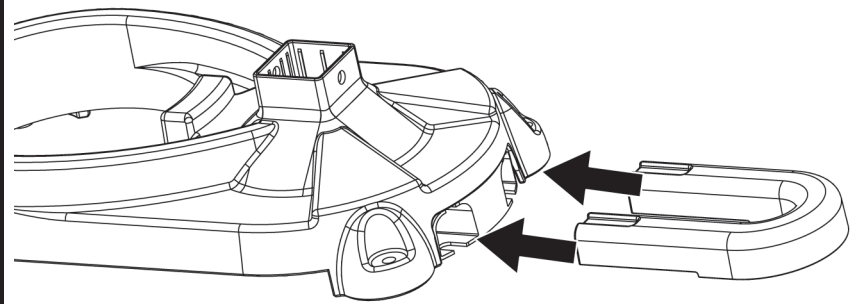
To complete assembly you will need:

- (1) Leak detection solution (instructions on how to make the solution are included in the "Operating Instructions" section of this manual).
- (1) Precision-filled LP gas grill tank with Acme Type 1 external threaded valve connection (standard grill size) (not included).

Typical assembly is approximately ten (10) minutes.

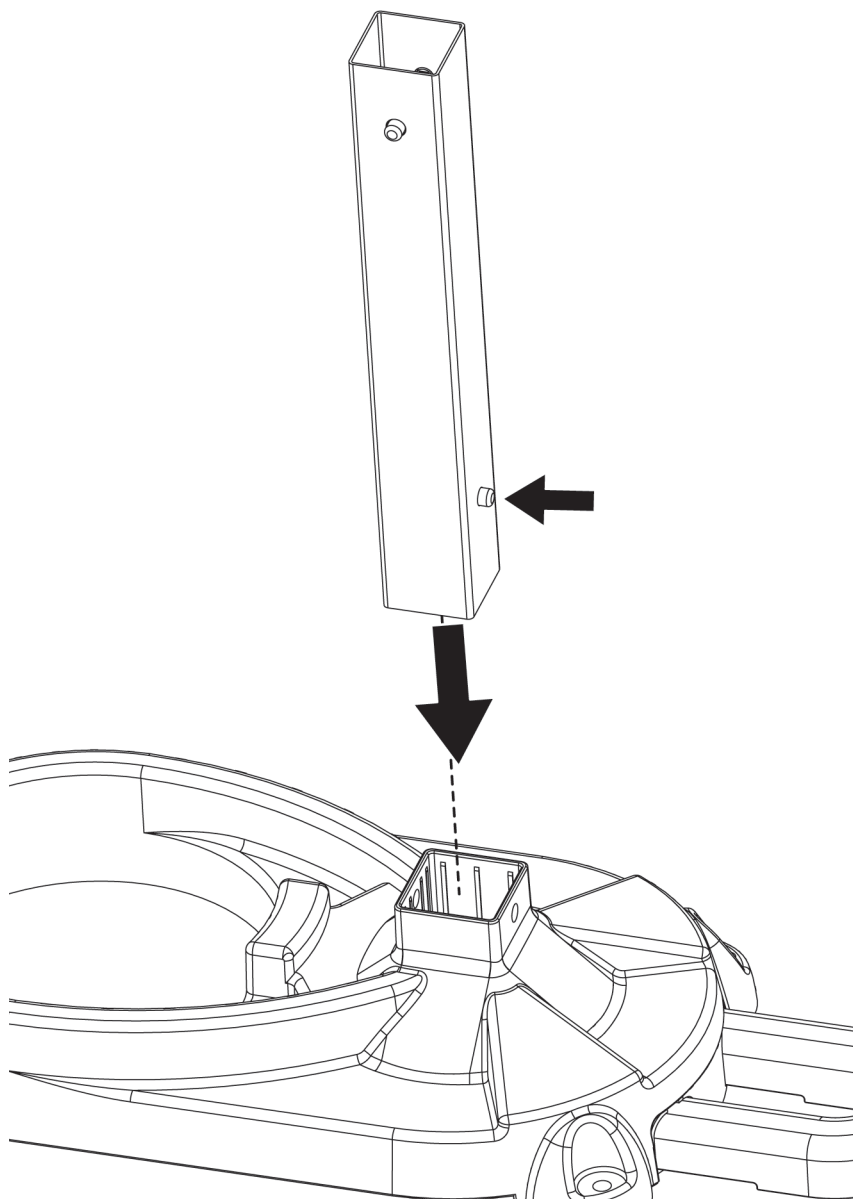
2

Insert Base Support



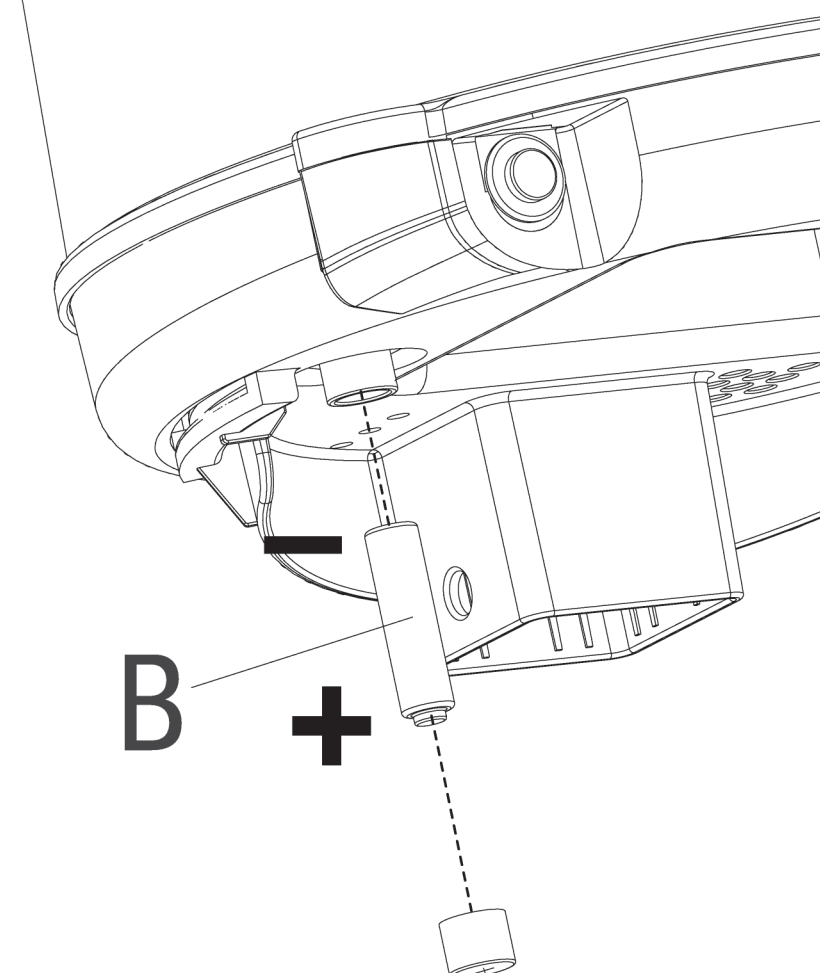
3

Insert Post



4

Insert Battery

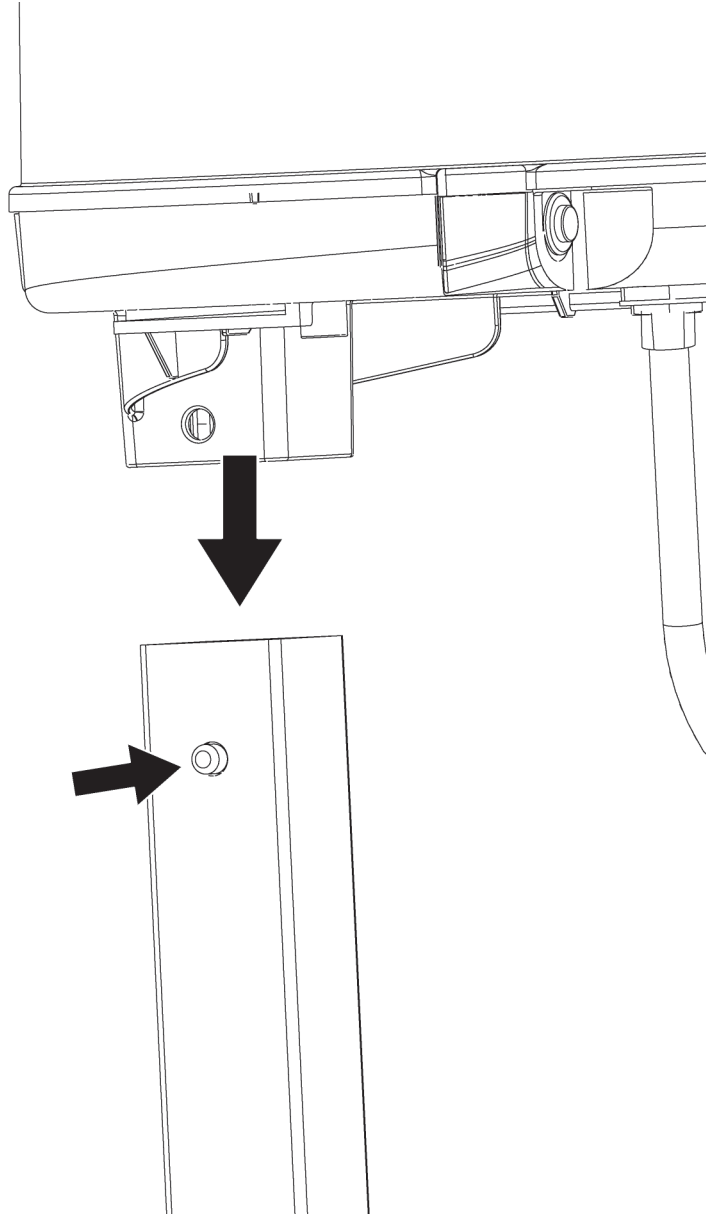


B  x 1

Assembly Instructions (continued)

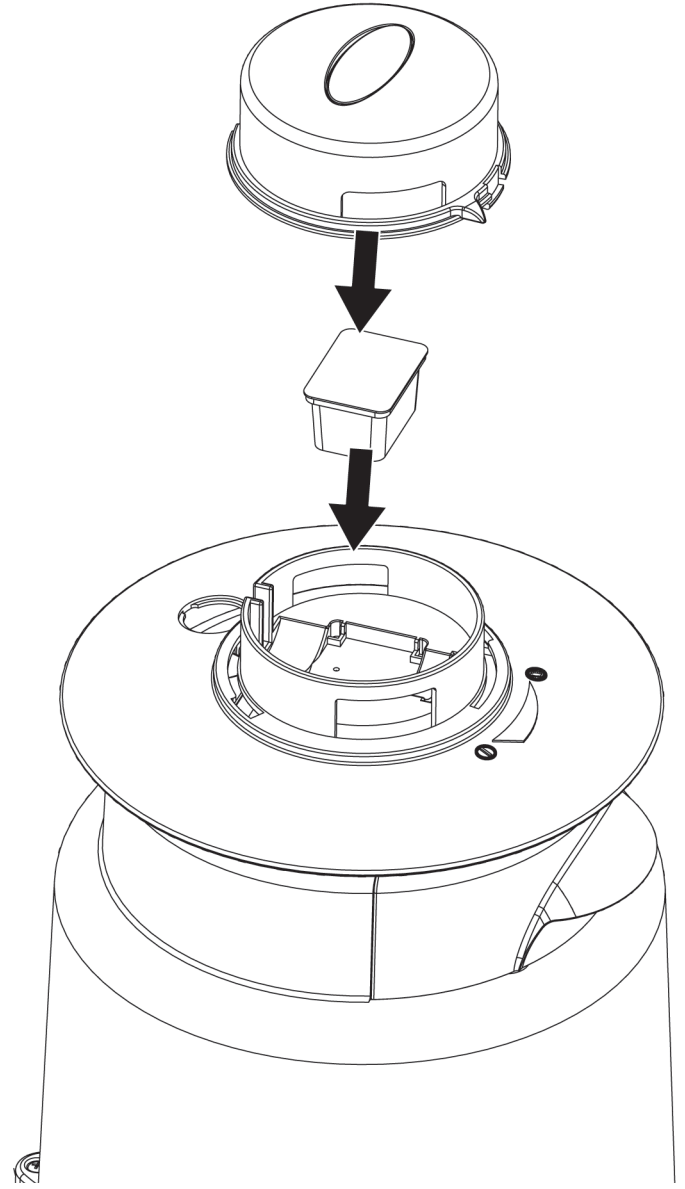
5

Attach Engine Assembly



6

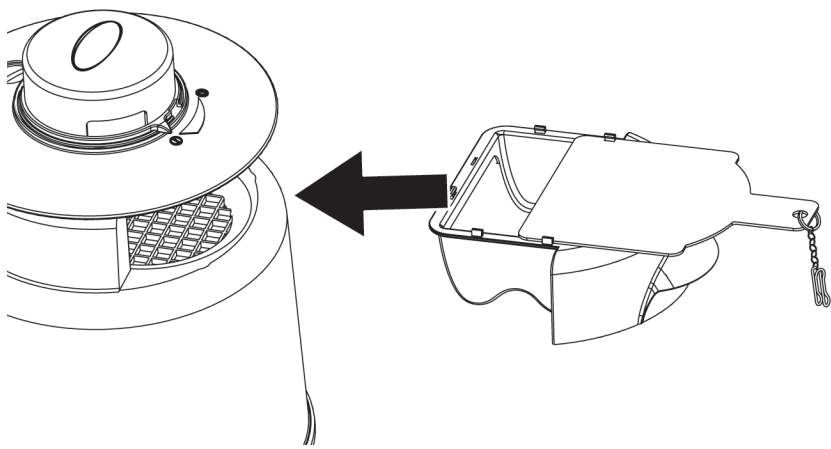
Insert FineTune® Lure and Attach FineTune® Lure Cover



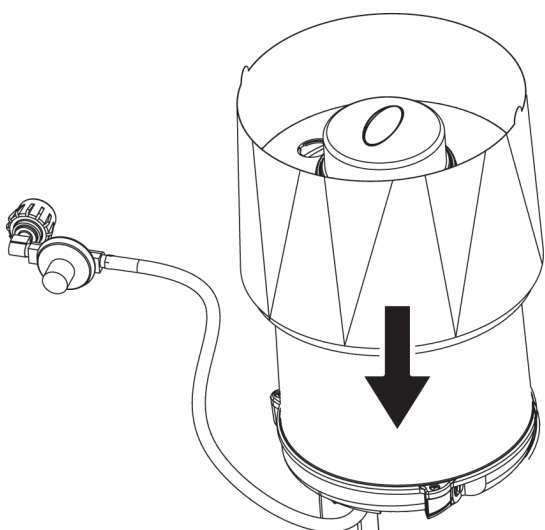
7

Insert WaveDrawer®

⚠ **CAUTION:** Do NOT operate SkeeterVac® with WaveDrawer® cover in place. Cover is only used when emptying or inspecting trap.



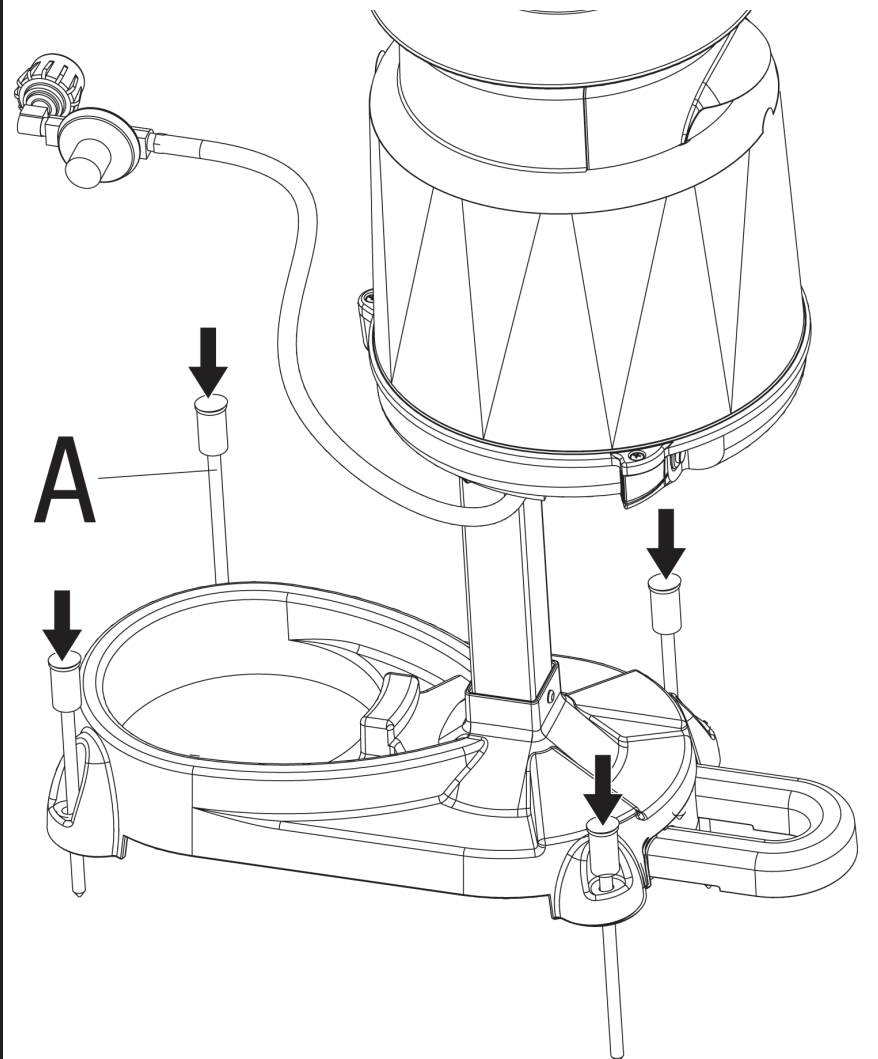
Attach TacTrap™

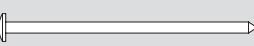


8

Insert Stakes

Note: Move SkeeterVac® to the final location before inserting stakes into ground.

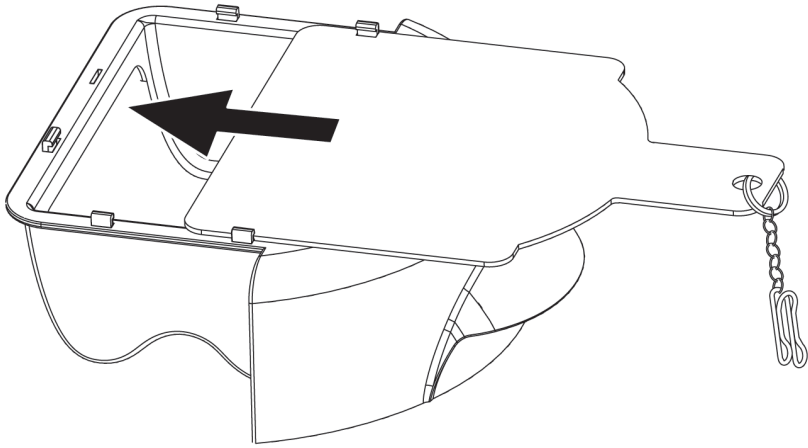


A  x 4

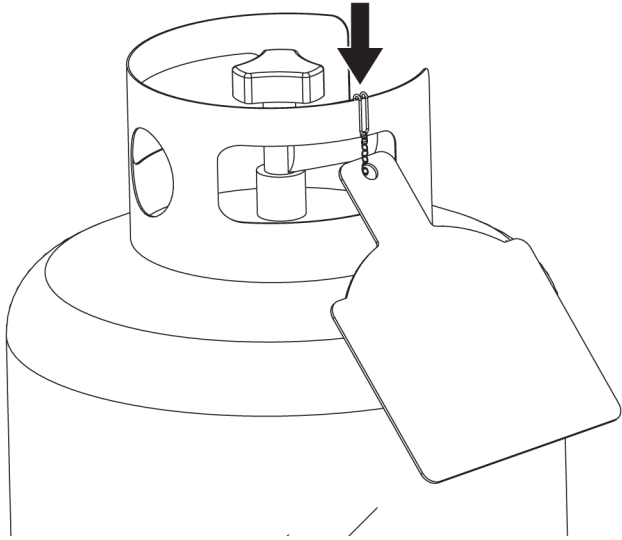
9

Inserting WaveDrawer Cover when Emptying or Inspecting

⚠ CAUTION: Do NOT operate SkeeterVac® with WaveDrawer® cover in place. Cover is only used when emptying or inspecting trap.



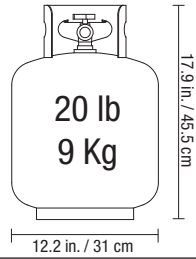
Store WaveDrawer® Cover



Installing LP Gas Tank

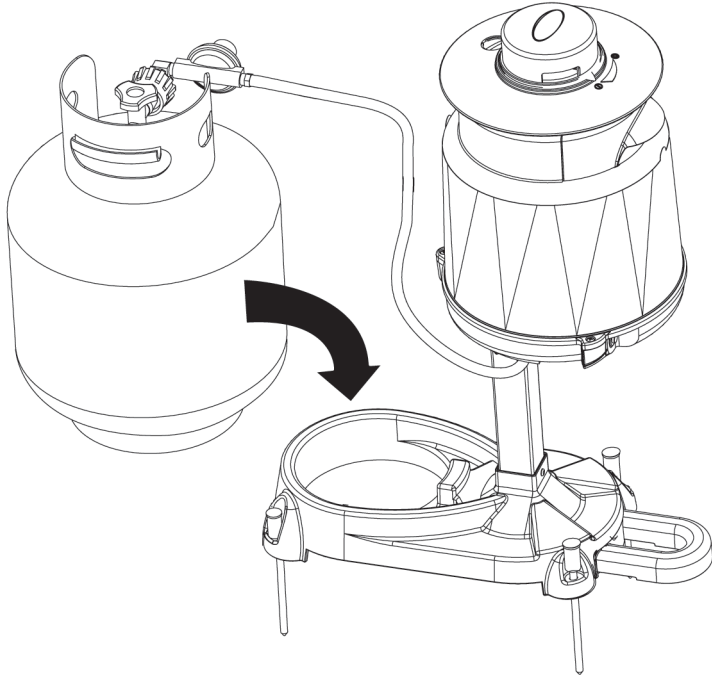
To operate, you will need one precision-filled standard grill LP gas tank with external valve threads.

⚠ CAUTION: LP gas tank must be properly disconnected and removed prior to moving this insect trap.



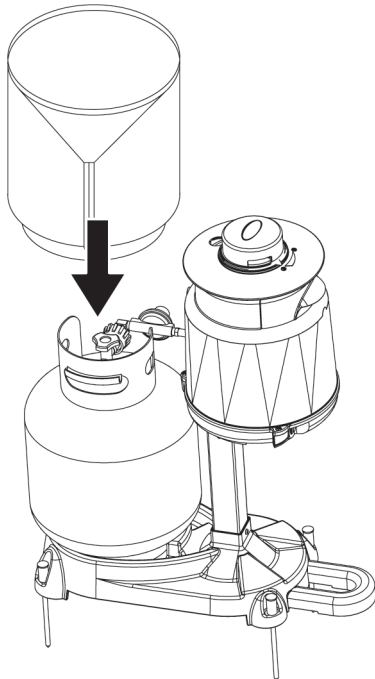
Insert LP Gas Tank

Place precision-filled LP gas tank upright into hole in insect trap body so the tank valve is facing the gas line connection.



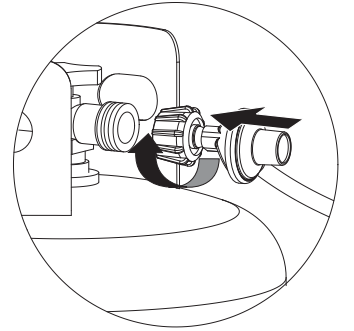
Place LP Gas Tank Cover

Place the LP gas tank cover onto the LP gas tank.



Connecting LP Gas Tank

1. Before connecting, be sure there is no debris caught in the head of the LP gas tank or the head of the regulator valve.
2. Connect regulator/hose assembly to tank by turning knob clockwise until it stops.

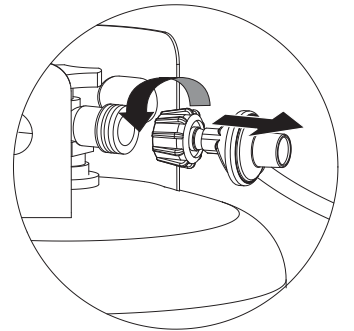


Disconnecting LP Gas Tank

1. Before disconnecting, make sure the LP gas tank valve is "CLOSED."
2. Disconnect regulator/hose assembly from LP gas tank by turning knob counterclockwise until it is loose.

⚠ CAUTION: LP gas tank must be properly disconnected and removed prior to moving this insect trap.

3. Place the protective cap cover on the LP tank and store the tank outdoors in a well ventilated area out of direct sunlight.



**CLEANED, INSPECTED,
AND LEAK-TESTED.**

BlueRhino.com



Important Information

Your insect trap operates 24 hours a day to help reduce the nuisance of mosquitoes. It attracts female mosquitoes that are seeking a blood meal to nourish their eggs. By removing these females, you also remove their eggs.

- It may take up to 3-4 weeks to see a noticeable reduction in the nuisance. Be patient.
- Begin operating your insect trap once low temperatures remain above 50°F (10°C).
- To reduce and maintain mosquito populations, it is important for your insect trap to operate continuously. Do NOT turn off the LP gas tank valve until your insect trap turns off, then immediately replace the empty tank with a full tank of propane.
- Always contact our Customer Care Team at 1.888.753.7137 before returning product to place of purchase.

Important Information about Octenol

See Insert for First Aid and Precautionary Statements.

Your insect trap includes a lure that contains octenol (1-octen-3-ol). This pesticide is an effective attractant supplement for some mosquito species.

KEEP OUT OF REACH OF CHILDREN.

▲ CAUTION: Harmful if swallowed, absorbed through the skin or inhaled. Avoid contact with skin, eyes and mouth. Wash hands thoroughly with soap and water after handling.

Important Information about Ultraviolet Light

This device radiates intense ultraviolet (UV) light when operated.

▲ CAUTION: Do NOT look directly at the device during operation. Exposure to UV light, even for a brief period, can damage your eyes.

Always contact our Customer Care Team at 1.888.753.7137 before returning product to place of purchase.

Mosquito Facts

- About 3,000 species of mosquitoes have been identified on a worldwide basis. Approximately 150 are known to exist in North America.
- There are approximately 25 known "human nuisance species" of mosquitoes.
- Most adult mosquitoes only have a life span of 2-4 weeks.
- Only female mosquitoes bite.
- Mosquitoes are very effective at reproducing. Attracting, trapping and killing just one female mosquito at the start of mosquito season can prevent the birth of up to 25,000 more mosquitoes that season alone!

Controlling Mosquitoes

In addition to properly installing and using an insect trap, you can reduce mosquito breeding around your home significantly by reducing the amount of water that is stagnating on your property. Be aware that mosquitoes can and will develop in any puddle or pool of water that lasts more than 4 days.

- Dispose of cans, plastic containers, pots, or similar water-holding containers that have accumulated on your property.
- Drill holes in the bottom of containers that you must leave out of doors – trash cans, recycling bins, etc.
- Clean clogged roof gutters on an annual basis.
- Turn over plastic wading pools when not in use.
- Turn over wheelbarrows, empty planters, or children's toys when not in use.
- Don't allow water to stagnate in birdbaths.
- Aerate ornamental pools or stock them with fish.
- Clean and chlorinate swimming pools that are not being used. Don't forget that mosquitoes breed in the water that collects on swimming pool covers.
- Use landscaping features or drainage tools to eliminate standing water that collects in low spots on your property.

Helpful Links

More information about mosquitoes in the United States can be found on the following sites, among many others.

- The American Mosquito Control Association: www.mosquito.org
- US Environmental Protection Agency: epa.gov/pesticides/health/mosquitoes
- National Center for Infectious Diseases: www.cdc.gov - search for "Mosquitoes"

None of the agencies listed above is an endorser of this insect trap, and inclusion on the list above does not signify that they endorse this insect trap. Links provided for customer information only.

Operating Instructions

Checking for Leaks

Tank/Gas Line Connection

1. Make 2-3 oz. of leak detection solution by mixing one part liquid dishwashing soap with three parts water.
2. Connect LP gas tank per "Installing LP Gas Tank" section.
3. Turn LP gas tank valve to "OPEN."
4. Spoon several drops of solution, or use a squirt bottle, at all "X" locations (Figures 1 and 2).
 - a. If any bubbles appear, turn LP gas tank valve to "CLOSED," reconnect and re-test.
 - b. If you continue to see bubbles after several attempts, turn LP gas tank valve to "CLOSED" and disconnect LP gas tank, per "Disconnecting LP Gas Tank" section. Contact 1.888.753.7137 for assistance.
 - c. If no bubbles appear after one minute, turn LP gas tank valve to "CLOSED," wipe away solution and proceed.

Figure 1

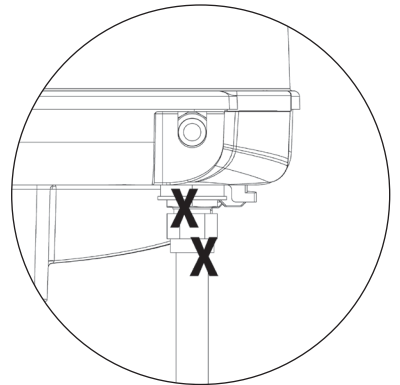
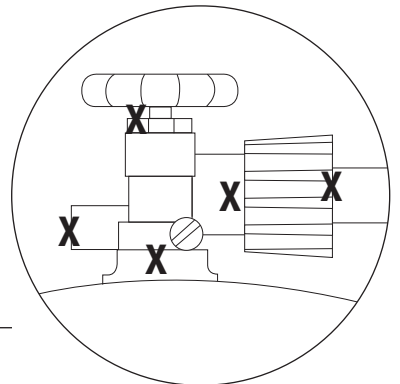


Figure 2



Placement

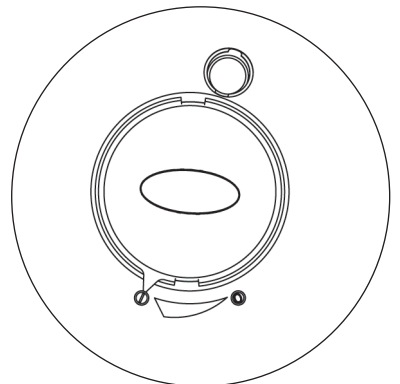
Properly positioning your insect trap is important to maximizing performance. Since the insect trap attracts mosquitoes it should be placed at least 10 feet from your living areas.

Mosquitoes typically live in areas that are shady, wet and/or moist. Determine the primary mosquito habitat and place your insect trap as close as possible to it.

If you live in an area with consistent wind, place your insect trap upwind from the primary mosquito habitat.

Maximum performance may require relocating your insect trap from time to time. To move, place your foot on the cart base and tilt backward by holding the handle. Pull to the new location.

Figure 3a



Lure Output: Fully Open

FineTune: Customizing the Lure Output

See Insert for First Aid and Precautionary Statements.

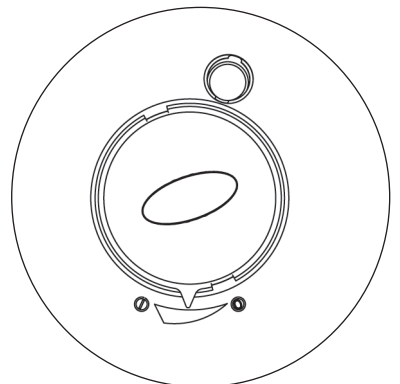
The amount of octenol your insect trap dispenses is important to maximizing performance. Some mosquito species are highly attracted to octenol while others are less attracted.

This product contains an easy-to-use feature that allows you to customize the amount of octenol released to match the species in your environment.

Note: For best results replace Lure every 60 days.

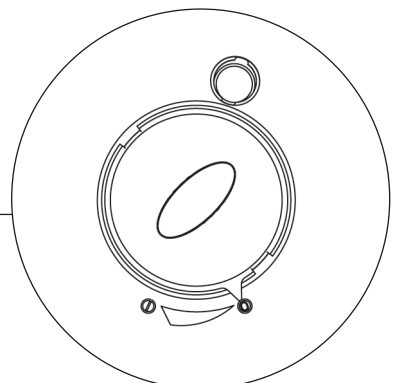
1. Remove FineTune cover by turning counterclockwise.
2. Remove foil seal from the FineTune Lure.
3. Place FineTune lure back into holder with holes on top.
4. Replace FineTune cover.
5. Select the lure output by adjusting the FineTune cover (Figures 3a, 3b and 3c).

Figure 3b



Lure Output: Half Open

Figure 3c



Lure Output: Closed

Lighting

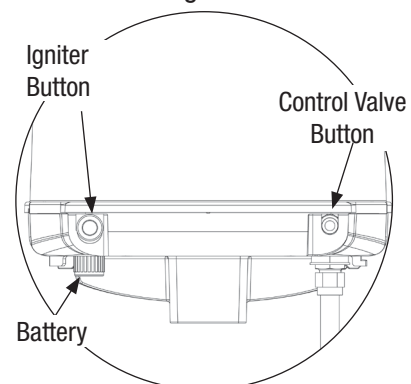
▲ CAUTION: Keep appliance area clear and free from combustible materials, gasoline and other flammable vapors and liquids.

▲ CAUTION: Do NOT obstruct the flow of combustion and ventilation air.

▲ CAUTION: Do NOT operate with WaveDrawer cover in place.

1. Read instructions before lighting.
2. Check for obstructions of airflow.
3. Connect LP gas tank per "Installing LP Gas Tank" section.
4. Turn LP gas tank valve slowly to "OPEN."
5. Press and hold control valve button (Figure 4).

Figure 4



Operating Instructions (continued)

6. IMMEDIATELY press and hold igniter button down until you hear a “POP” sound indicating ignition. Normally occurs within 20 seconds.
7. Continue to hold control valve button for 30 seconds.
8. You know ignition is complete when:
 - a. the needle on the engine gauge begins to move into the “Green” zone.
 - b. the LED lights flicker.
 - c. the vacuum fan runs with air flowing out of the bottom of the engine.

▲ CAUTION: If engine fails to light, shut LP gas off at tank and wait 5 minutes before attempting to restart the engine by following the lighting instructions.

Turning Off

1. Turn LP gas tank valve to “CLOSED.”
Note: A “poof” sound is normal as the last of the LP gas is burned.
2. Disconnect LP gas tank per “Disconnecting LP Gas Tank” instructions.

▲ CAUTION: The gas supply must be turned off at the LP-gas tank when this outdoor gas appliance is not in use.

Cleaning and Care

See Insert for First Aid and Precautionary Statements.

- ▲ CAUTION: All cleaning and maintenance should be done when insect trap is cool and with the fuel supply disconnected.**
- ▲ CAUTION: Do NOT clean any insect trap part in a self-cleaning oven.**
- ▲ CAUTION: This insect trap should be thoroughly cleaned and inspected on a regular basis.**

Notices

1. Abrasive cleaners will damage this product.
2. Never use oven cleaner to clean any part of insect trap.

Before Each Use:

1. Keep the insect trap area clean and free from any combustible materials, gasoline, and other flammable vapors and liquids.
2. Do not obstruct the flow of the combustion of LP and the ventilation air.
3. Keep the ventilation opening(s) of the LP gas tank area free and clear from debris.
4. See “Cleaning Instructions” for proper cleaning instructions.

Cleaning Instructions / Routine Service

To ensure maximum performance and to lengthen the life of your insect trap, perform these steps each time your tank is empty. This model will consume a standard LP gas grill tank every 15-20 days.

Note: While unit is in use, check the following every 2-3 days:

- Check WaveDrawer and clean (if necessary).
 - Check air passages for blockage.
1. Turn LP gas tank valve to “CLOSED.”
 2. Disconnect LP gas tank per “Disconnecting LP Gas Tank” instructions.
 3. Remove empty tank and replace with full LP gas tank.
 4. Slide WaveDrawer cover onto WaveDrawer.
 5. Remove WaveDrawer, empty and clean.
 6. Slide WaveDrawer back into place.
 7. Remove WaveDrawer cover.
 8. Remove used TacTrap and dispose of properly.
 9. Slide fresh TacTrap in place and remove protective paper.
 10. Remove FineTune cover by turning counterclockwise.
 11. Remove used FineTune lure (if necessary) and properly dispose.
Note: For best results replace Lure every 60 days.
 12. Remove fresh FineTune lure from package. Dispose of packaging properly.
 13. Place FineTune lure back into holder with holes on top.
 14. Replace FineTune cover.
 15. Select the lure output by adjusting the FineTune cover.
 16. Check engine and gas lines for any sign of damage or missing parts. Repair any problems before attempting to start.
 17. Connect LP gas tank per “Installing LP Gas Tank” instructions.
 18. Remove tank cover from empty LP gas tank and place on full LP gas tank.
 19. Perform leak check per “Checking for Leaks” instructions.
 20. Light per “Lighting” instructions.
 21. Wash hands with soap and water.

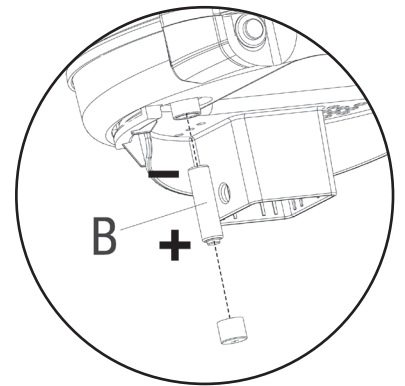
Cleaning and Care (continued)

Replacing Igniter Battery

If you do not hear a clicking sound when the igniter button is depressed, the battery may have lost its charge. Replace battery as follows:

1. Turn LP gas tank valve to “CLOSED.”
2. Open battery compartment by turning cap on bottom of engine counterclockwise.
3. Remove used battery and properly dispose.
4. Place fresh AA battery into compartment – negative (–) end goes in first (Figure 5).
5. Secure cap by turning clockwise until it stops.
6. Light per “Lighting” instructions.

Figure 5



End of Season Storage

To lengthen the life of your insect trap, perform these simple steps at the end of the mosquito season.

1. Turn LP gas tank valve to “CLOSED.”
2. Disconnect LP gas tank per “Disconnecting LP Gas Tank” instructions.
3. Remove tank cover.
4. Remove LP gas tank.
5. Place the protective cap cover on the LP tank and store the tank outdoors in a well ventilated area out of direct sunlight.
6. Remove and properly dispose of the TacTrap and FineTune lures.
7. Cover your insect trap to protect it from dust.
8. Store it in a cool dry place.

▲ CAUTION: Storage of an outdoor gas appliance indoors is only permissible if the tank is disconnected and removed from the outdoor gas appliance.

Product Registration

For faster warranty service, please register your product immediately. To register, go to BlueRhino.com/warranty or call 1.888.753.7137.

Replacement Parts

For replacement parts, visit parts.BlueRhino.com or call 1.888.753.7137.

Limited Warranty

Blue Rhino Global Sourcing, Inc. (“Blue Rhino”) warrants to the original retail purchaser of this product, and to no other person, that if this product is assembled, maintained, and operated in accordance with the printed instructions accompanying it, then for a period of one (1) year from the date of purchase, all parts in such product shall be free from defects in material and workmanship. Blue Rhino may require reasonable proof of your date of purchase. Therefore, you should retain your sales slip or invoice. This Limited Warranty shall be limited to the repair or replacement of parts, which prove defective under normal use and service and which Blue Rhino shall determine in its reasonable discretion upon examination to be defective. Before returning any parts, you should contact Blue Rhino’s Customer Care Department using the contact information listed below. If Blue Rhino confirms, after examination, a defect covered by this Limited Warranty in any returned part, and if Blue Rhino approves the claim, Blue Rhino will replace such defective part without charge. If you return defective parts, transportation charges must be prepaid by you. Blue Rhino will return replacement parts to the original retail purchaser, freight or postage prepaid.

This Limited Warranty does not cover any failures or operating difficulties due to accident, abuse, misuse, alteration, misapplication, improper installation or improper maintenance or service by you or any third party, or failure to perform normal and routine maintenance on the product as set out in this owner’s manual. In addition, the Limited Warranty does not cover damage to the finish, such as scratches, dents, discoloration, rust or other weather damage, after purchase.

This Limited Warranty is in lieu of all other express warranties. Blue Rhino disclaims all warranties for products that are purchased from sellers other than authorized retailers or distributors, including the warranty of merchantability or the warranty of fitness for a particular purpose. Blue Rhino ALSO DISCLAIMS ANY AND ALL IMPLIED WARRANTIES, INCLUDING WITHOUT LIMITATION THE IMPLIED WARRANTIES OF MERCHANTABILITY AND FITNESS FOR A PARTICULAR PURPOSE. Blue Rhino SHALL HAVE NO LIABILITY TO PURCHASER OR ANY THIRD PARTY FOR ANY SPECIAL, INDIRECT, PUNITIVE, INCIDENTAL, OR CONSEQUENTIAL DAMAGES. Blue Rhino further disclaims any implied or express warranty of, and assumes no responsibility for, defects in workmanship caused by third parties.

This Limited Warranty gives the purchaser specific legal rights; a purchaser may have other rights depending upon where he or she lives. Some jurisdictions do not allow the exclusion or limitation of special, incidental or consequential damages, or limitations on how long a warranty lasts, so the above exclusion and limitations may not apply to everyone.

Blue Rhino does not authorize any person or company to assume for it any other obligation or liability in connection with the sale, installation, use, removal, return, or replacement of its equipment, and no such representations are binding on Blue Rhino.

Blue Rhino Global Sourcing, Inc.
Winston-Salem, North Carolina 27105 USA
1.888.753.7137

Troubleshooting

Problem	Possible Cause	Solution
Insect trap does not start	LP gas tank valve is closed	Make sure regulator is securely attached to the LP gas tank per "Installing LP Gas Tank," then turn LP gas tank valve to "OPEN."
	LP gas tank is low or empty	Exchange, refill or replace LP gas tank.
	LP gas leak	1. Turn LP gas tank valve to "CLOSED." 2. Wait 5 minutes for gas to clear. 3. Follow "Checking for Leaks" section.
	Igniter does not work	1. Turn off LP gas tank per "Turning Off" section. 2. Press the igniter button (see figure 4). a. If you hear a clicking sound, igniter is working. b. Replace the "AA" battery (follow assembly step for inserting battery).
	Too much air in hose line	1. Connect LP gas tank per "Connecting LP Gas Tank" instructions. ⚠ CAUTION: Keep this appliance area clear and free from combustible materials, gasoline, other flammable vapors and liquids and open flames. 2. Turn LP gas tank valve slowly to "OPEN." 3. Press and hold control valve button for up to 3 minutes. 4. Try and light insect trap per "Lighting" instructions every 30 seconds until you hear a "POP" sound indicating ignition. 5. If still not working refer to "Regulator needs to be reset."
	Filter blocked	1. Turn off LP gas tank per "Turning Off" instructions. 2. Disconnect LP gas tank per "Disconnecting LP Gas Tank" instructions. 3. Remove Regulator/Hose Assembly at insect trap engine. 4. Remove filter. 5. Reconnect Regulator/Hose Assembly at insect trap engine. 6. Perform leak check per "Checking for Leaks" instructions. 7. Light insect trap per "Lighting" instructions.
	Regulator needs to be reset	1. Turn off LP gas tank per "Turning Off" instructions. 2. Disconnect LP gas tank per "Disconnecting LP Gas Tank" section. 3. After 30 seconds, reconnect LP gas tank per "Connecting LP Gas Tank" instructions. 4. Slowly turn the LP gas tank valve 3 full rotations to "OPEN." 5. Perform leak check per "Checking for Leaks" instructions. 6. Light SkeeterVac per "Lighting" instructions.
Engine not functioning properly	Too damp or wet	1. Connect LP gas tank per "Connecting LP Gas Tank" instructions. ⚠ CAUTION: Keep this appliance area clear and free from combustible materials, gasoline, other flammable vapors and liquids and open flames. 2. Turn LP gas tank valve slowly to "OPEN." 3. Press and hold control valve button (Figure 4). 4. IMMEDIATELY press and hold igniter button down until you hear a "POP" sound indicating ignition. Normally occurs within 20 seconds. 5. Continue to hold control valve button for 30 seconds. 6. You know ignition is complete when: a. the needle on the engine gauge begin to move into the "Green" zone. b. the LED lights flicker. c. the vacuum fan will be running with air flowing out of the bottom of the engine.
	LP gas tank is low or empty	Exchange, refill or replace LP gas tank.
	LP gas leak	Follow "Checking for Leaks" instructions.
	Ventilation blocked	1. Turn off LP gas tank per "Turning Off" instructions. 2. Disconnect LP gas tank per "Disconnecting LP Gas Tank" instructions. 3. Check ventilation openings and air-inlet to make sure are clear of debris. 4. Clean SkeeterVac per "Cleaning and Care" instructions.
Insect trap turns off suddenly	Fan not working	1. Verify the insect trap has been running for at least 10 minutes. 2. Use a pencil and slowly turn fan blades. a. If fan blades continue to turn on their own, allow SkeeterVac to continue to run. b. If fan blades stop, turn off LP gas tank per "Turning Off" instructions and clean insect trap. Clean insect trap per "Cleaning and Care" instructions.
	Out of gas	Exchange, refill or replace LP gas tank.
	Overheat protection switch (heat sensor) turned ON	1. Turn off LP gas tank per "Turning Off" instructions. 2. Disconnect LP gas tank per "Disconnecting LP Gas Tank" instructions. 3. Let engine cool for 30-45 minutes. 4. Connect LP gas tank per "Connecting LP Gas Tank" instructions. 5. Light insect trap per "Lighting" instructions. 6. After 5 minutes of operation, verify LED lights and fan are working properly.

For more assistance, please visit BlueRhino.com or call 1.888.753.7137.

