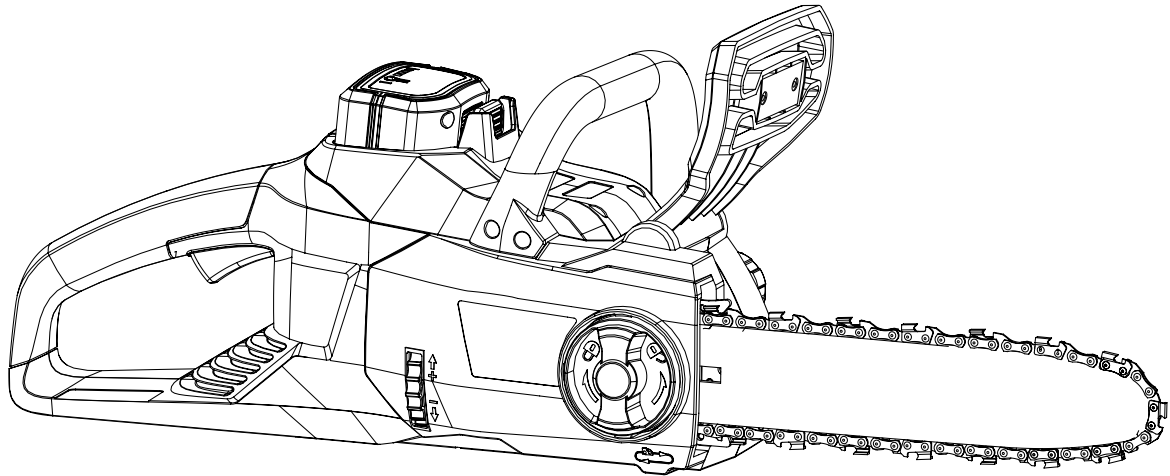




# 40V MAX LITHIUM ION CORDLESS CHAINSAW



Model #40417  
[bit.ly/wenvideo](http://bit.ly/wenvideo)

## IMPORTANT:

Your new tool has been engineered and manufactured to WEN's highest standards for dependability, ease of operation, and operator safety. When properly cared for, this product will supply you years of rugged, trouble-free performance. Pay close attention to the rules for safe operation, warnings, and cautions. If you use your tool properly and for intended purpose, you will enjoy years of safe, reliable service.

## NEED HELP? CONTACT US!

Have product questions? Need technical support?  
Please feel free to contact us at:



**800-232-1195** (M-F 8AM-5PM CST)



**techsupport@wenproducts.com**



**WENPRODUCTS.COM**



## TABLE OF CONTENTS

---

Technical Data .....	2
General Safety Rules .....	3
Specific Rules for the Chainsaw .....	4
Battery and Charger Instructions .....	8
Electrical Information .....	10
Know Your Chainsaw .....	11
Assembly .....	12
Operation .....	14
Maintenance .....	16
Storage .....	17
Exploded View and Parts List .....	18
Warranty .....	20

## TECHNICAL DATA

---

Model Number:	40417
Motor:	40V Brushless Motor
Max Motor Speed:	8200 RPM (No Load)
Max Chain Speed:	49 feet per second
Saw Chain:	16 inch, Oregon
Saw Chain Model:	91PJ056X
Guide Bar Model:	160SDEA041
Battery:	40V Max Lithium Ion, 4 Ah
Charger Input:	100-120V AC, 60Hz, 100W
Charger Output:	42V DC, 2A
Weight (w/ Battery):	12 lbs
Product Dimensions:	32 x 8.5 x 10 in.
Battery Model:	40404
Charger Model:	40400

WEN plans to continue to add more and more items to our 40V line. For an up-to-date list of the 40V cordless tools compatible with the included battery and charger, visit [wenproducts.com](http://wenproducts.com) and search model number 40401 (2Ah) or 40404 (4Ah). In the battery's description, there will be a list of current products that this battery can be used with.

## GENERAL SAFETY RULES

---

Safety is a combination of common sense, staying alert and knowing how your item works. **SAVE THESE SAFETY INSTRUCTIONS.**



**WARNING:** To avoid mistakes and serious injury, do not plug in your tool until the following steps have been read and understood.

1. **READ** and become familiar with this entire instruction manual. **LEARN** the tool's applications, limitations, and possible hazards.
2. **AVOID DANGEROUS CONDITIONS.** Do not use in wet or damp areas or expose them to rain. Keep work areas well lit.
3. **DO NOT** use in the presence of flammable liquids or gases.
4. **DO NOT** direct the tool at any bystanders.
5. **KEEP BYSTANDERS AT A SAFE DISTANCE** from the work area, especially when the tool is operating. **NEVER** allow children or pets near the tool.
6. **DO NOT FORCE THE TOOL** to do a job for which it was not designed.
7. **DRESS FOR SAFETY.** Do not wear loose clothing, gloves, neckties, or jewelry (rings, watches, etc.) when operating the tool. Inappropriate clothing and items can get caught in moving parts and draw you in. **ALWAYS** wear non-slip footwear and tie back long hair.
8. **WEAR A FACE MASK OR DUST MASK** if working in dusty or dirty conditions.
9. **ALWAYS** remove the battery from the tool when making adjustments, changing parts, cleaning, or working on the tool.
10. **AVOID ACCIDENTAL START-UPS.** Make sure the power switch is in the **OFF** position before inserting the battery.
11. **REMOVE ADJUSTMENT TOOLS.** Always make sure all adjustment tools are removed from the tool before turning it on.
12. **NEVER LEAVE A RUNNING TOOL UNATTENDED.** Turn the power switch **OFF**. Do not leave the tool until it has come to a complete stop.
13. **NEVER STAND ON A TOOL.** Serious injury could result if the tool tips or is accidentally hit. **DO NOT** store anything above or near the tool.
14. **DO NOT OVERREACH.** Keep proper footing and balance at all times. Wear oil-resistant rubber-soled footwear. Keep the floor clear of oil, scrap, and other debris.
15. **WEAR NECESSARY** hand and hearing protection. Wear no-slip heavy duty work gloves and hearing protection in order to prevent injury.

## GENERAL SAFETY RULES

---

16. **MAINTAIN TOOLS PROPERLY.** ALWAYS keep tools clean and in good working order. Follow instructions for lubricating and changing accessories.

17. **CHECK FOR DAMAGED PARTS.** Check for alignment of moving parts, jamming, breakage, improper mounting, or any other conditions that may affect the tool's operation. Any part that is damaged should be properly repaired or replaced before use.

19. **DO NOT** operate the tool if you are under the influence of drugs, alcohol, or medication that may affect your ability to properly use the tool.

20. **USE SAFETY GOGGLES AT ALL TIMES** that comply with ANSI Z87.1. Normal safety glasses only have impact resistant lenses and are not designed for safety. Wear a face or dust mask when working in a dusty environment. Use ear protection such as plugs or muffs during extended periods of operation.

## SPECIFIC RULES FOR CHAINSAWS

---



**WARNING:** Do not let comfort or familiarity with product (gained from repeated use) replace strict adherence to product safety rules. If you use this tool incorrectly, you can suffer serious personal injury!

1. Keep all parts of the body away from the saw chain when the chainsaw is operating. Before you start the chainsaw, make sure the saw chain is not contacting anything.

2. Always hold the chainsaw with your right hand on the rear handle and your left hand on the front handle. Holding the chainsaw in the opposite manner can result in an increased risk of serious injury to the user.

3. Only hold the power tool by the insulated gripping surfaces to avoid electric shock in case the saw chain contacts hidden wiring. Saw chains contacting a live wire may make exposed metal parts of the power tool live and can give the operator an electric shock.

4. Keep the saw chain away from any cords or extension cables.

5. Wear safety glasses and hearing protection. Protective equipment for hands, legs, head and feet is also highly recommended. Protective clothing greatly reduces the risk of personal injury from loose debris or accidental contact with the saw chain.

6. Do not operate the chainsaw while standing in a tree. Only operate the chainsaw from a firm, level surface fixed on the ground. Always keep proper footing during operation. Slippery or unstable surfaces such as ladders may cause a loss of balance or control.

7. When cutting a limb that is under tension, be alert for spring back. When tension from wood fibers and branches is suddenly released, the limb may fly in unpredictable ways, possibly resulting in kickback and injury to the user.

8. Use extreme caution when cutting brush and saplings. The slender material may catch the saw chain, whipping towards you or pulling you off balance.

9. Carry the chainsaw by the front handle with the chainsaw switched off and away from your body. When transporting or storing the chainsaw always protect the blade with a scabbard (blade cover). Remove battery for transport.

## **SPECIFIC RULES FOR CHAINSAWS**

---

10. Routinely lubricate, adjust chain tension, and check blades for dullness. Follow these instructions closely to minimize kickback and maximize the lifespan of the tool.
11. Keep handles dry, clean and free of oil and grease. Slippery handles increase the chances of losing control.
12. Only use this chainsaw to cut wood. Do not cut plastic, masonry or other non-wood materials. Do not use this chainsaw for anything other than its intended purpose. Let the saw work at its own pace.

### **REDUCING KICKBACK:**

Kickback can occur when the tip of the guide bar touches an object or when the wood closes in and pinches the saw chain inside of the cut. Tip contact can kick the guide bar up and back towards the operator. Pinching the saw chain along the top of the guide bar can push the bar rapidly towards the operator. Either of these reactions may cause a loss in control of the chainsaw, increasing the chances of serious personal injury. Do not rely on the safety devices built into the saw. Chainsaw users should take as many precautions as possible to minimize on-site accidents. Kickback is the result of tool misuse and/or incorrect operating procedures. These conditions can be minimized with the following steps:

1. Maintain a firm grip, with thumbs and fingers encircling the chainsaw handles. Both hands should be on the saw with your body and arms in a position to resist kickback forces.
2. Do not overreach and do not cut above shoulder height. Keep the work area free from obstructions.
3. Only use replacement bars and chains specified by WEN. Replace dull blades as necessary.
4. Do not let the tip of the guide bar contact any surfaces.
5. Keep proper tension of your blade at all times. Check the tension at regular intervals. Unplug the battery from the tool before making any adjustments to the blade or the machine.
6. Cuts should only take place while the chain is moving at full speed. Do not turn the saw ON or OFF in the middle of a cut. Use extreme caution when re-entering a previous cut.
7. Cut one log at a time. Do not attempt plunge or bore cuts. Watch for shifting logs or other external forces that could close a cut and pinch the chain.
8. Make a precut on the opposite side of the log to avoid the blade from being pinched during operation as another safeguard against kickback.

## SPECIFIC RULES FOR CHAINSAWS

### FELLING A TREE

When bucking and felling operations are being performed by two or more persons at the same time, the felling operations should be separated from the bucking operation by a distance of at least twice the height of the tree being felled. Trees should not be felled in a manner that would endanger any person, strike any utility line or cause any property damage. If the tree does make contact with any utility line, the company should be notified immediately.

The chain saw operator should keep on the uphill side of the terrain as the tree is likely to roll or slide downhill after it is felled.

An escape path should be planned and cleared as necessary before cuts are started. The escape path should extend back and diagonally to the rear of the expected line of fall as illustrated in Figure BB.101.

Before felling is started, consider the natural lean of the tree, the location of larger branches and the wind direction to judge which way the tree will fall. Remove dirt, stones, loose bark, nails, staples and wire from the tree.

Make the notch 1/3 the diameter of the tree, perpendicular to the direction of falls as illustrated in Figure BB.102. Make the lower horizontal notching cut first. This will help to avoid pinching either the saw chain or the guide bar when the second notch is being made.

### FELLING BACK A CUT

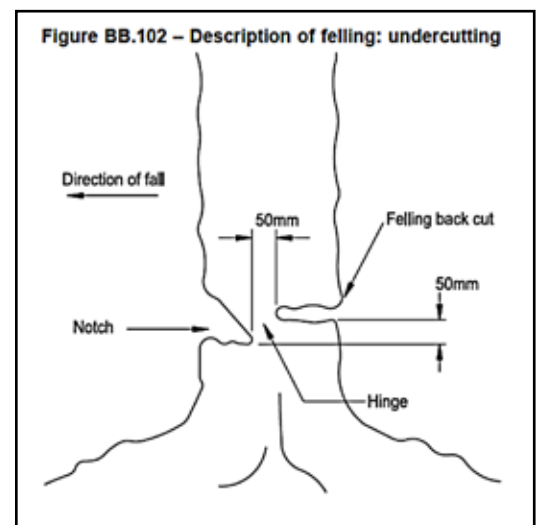
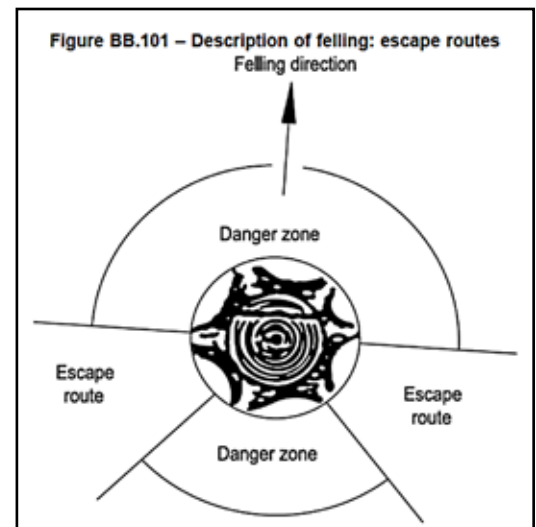
Make the felling back cut at least 50 mm higher than the horizontal notching cut as illustrated in Figure BB.102. Keep the felling back cut parallel to the horizontal notching cut. Make the felling back cut so enough wood is left to act as a hinge. The hinge wood keeps the tree from twisting and falling in the wrong direction. Do not cut through the hinge.

As the felling gets close to the hinge, the tree should begin to fall. If there is any chance that the tree may not fall in desired direction or it may rock back and bind the saw chain, stop cutting before the felling back cut is complete and use wedges of wood, plastic or aluminium to open the cut and drop the tree along the desired line of fall.

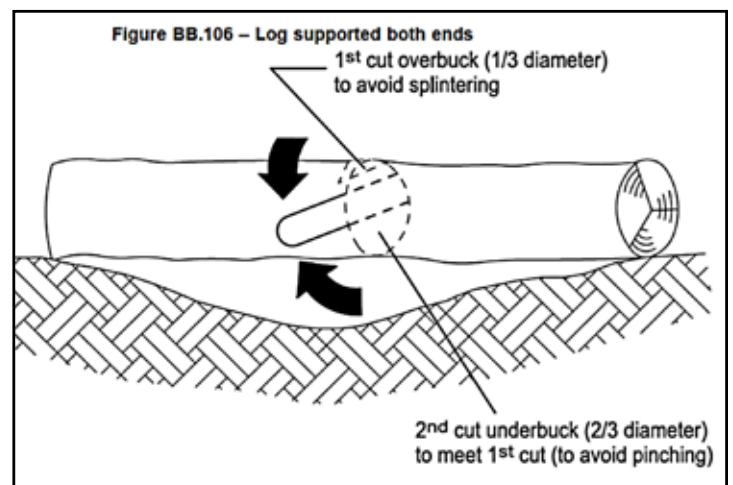
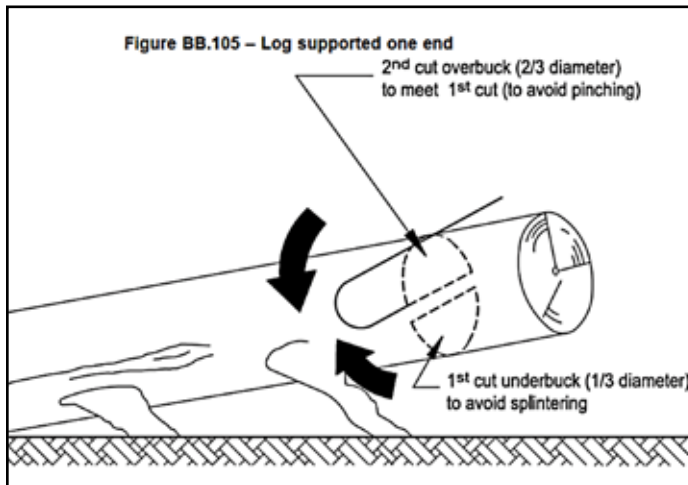
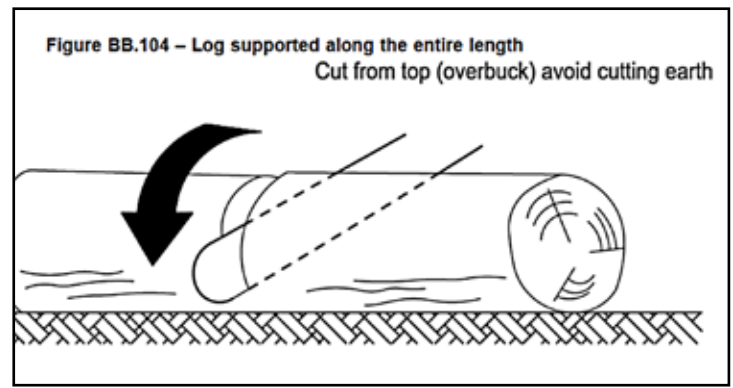
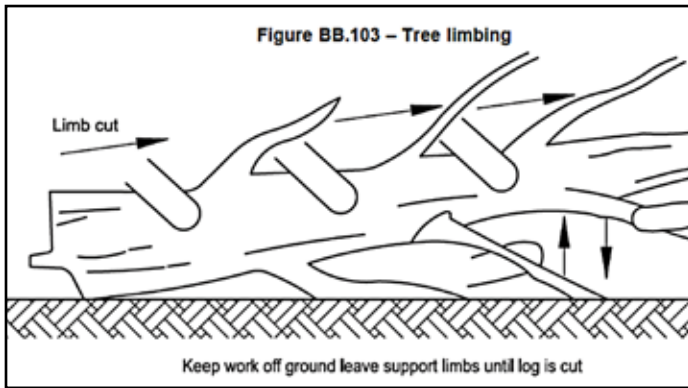
When the tree begins to fall remove the chain saw from the cut, stop the motor, put the chain saw down, then use the retreat path planned. Be alert for overhead limbs falling and watch your footing.

### LIMBING A TREE

Limbing is removing the branches from a fallen tree. When limbing leave larger lower limbs to support the log off the ground. Remove the small limbs in one cut as illustrated in Figure BB.103. Branches under tension should be cut from the bottom up to avoid binding the chain saw.



# SPECIFIC RULES FOR CHAINSAWS



## BUCKING A LOG

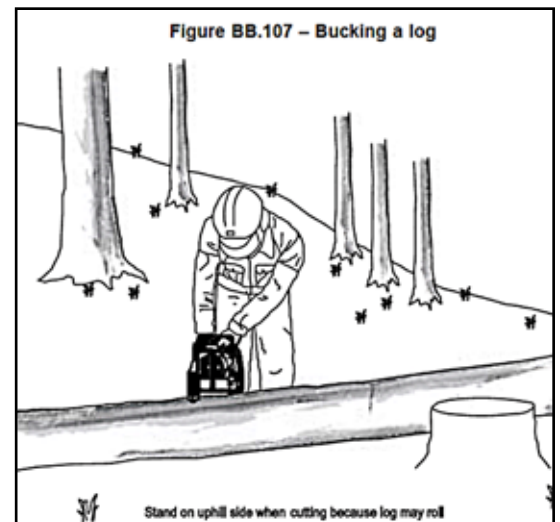
Bucking is cutting a log into lengths. It is important to make sure your footing is firm and your weight is evenly distributed on both feet. When possible, the log should be raised and supported by the use of limbs, logs or chocks. Follow the simple directions for easy cutting.

When the log is supported along its entire length as illustrated in Figure BB.104, it is cut from the top (overbuck).

When the log is supported on one end, as illustrated in Figure BB.105, cut 1/3 the diameter from the underside (underbuck). Then make the finished cut by overbucking to meet the first cut.

When the log is supported on both ends, as illustrated in Figure BB.106, cut 1/3 the diameter from the top (overbuck). Then make the finished cut by underbucking the lower 2/3 to meet the first cut.

When bucking on a slope always stand on the uphill side of the log, as illustrated in Figure BB.107. When cutting through, to maintain complete control release the cutting pressure near the end of the cut without relaxing your grip on the chain saw handles. Don't let the chain contact the ground. After completing the cut, wait for the saw chain to stop before you move the chain saw. Always stop the motor before moving from tree to tree.



## BATTERY & CHARGER INSTRUCTIONS

Despite all the safety precautions, caution must always be exercised when handling batteries. The following points must be obeyed at all times to ensure safe use. Safe use can only be guaranteed if undamaged cells are used. Incorrect handling of the battery pack can cause cell damage.

- **Avoid dangerous environments** - Do not charge the battery pack in rain, snow or in damp or wet locations. Do not use the battery pack or charger in the presence of explosive atmospheres (gaseous fumes, dust or flammable materials) because sparks may be generated when inserting or removing the battery pack, which could lead to a fire.
- **Charge in a well-ventilated area** - Do not block the charger vents. Keep them clear to allow for proper ventilation. Do not allow smoking or open flames near a charging battery pack. Vented gases may explode. NOTE: The safe temperature range for the battery charging is -4°F to 113°F. Do not charge the battery outside in freezing weather; charge it at room temperature.
- **Maintain charger cord** - When unplugging the charger, pull the plug, not the cord, from the receptacle to reduce the risk of damage to the electrical plug and cord. Never carry the charger by its cord or yank it by the cord to disconnect it from the receptacle. Keep the cord away from heat, oil and sharp edges. Make sure the cord will not be stepped on, tripped over or subjected to damage or stress when the charger is in use. Do not use the charger with a damaged cord or plug. Replace a damaged charger immediately.
- **Do not use an extension cord unless it is absolutely necessary** - Using the wrong, damaged or improperly wired extension cord poses a risk of fire and electric shock. If an extension cord must be used, plug the charger into a properly wired 16 gauge or larger extension cord with the female plug matching the male plug on the charger. Make sure that the extension cord is in good electrical condition.
- **Charger is rated for 120 volt AC only** - The charger must be plugged into an appropriate receptacle.
- **Use only recommended attachments** - Use of an attachment not recommended or sold by WEN Products may result in risk of fire, electric shock or personal injury.
- **Unplug charger when not in use** - Make sure to remove battery packs from unplugged chargers.



**WARNING!** To reduce the risk of electric shock, always unplug the charger before performing any cleaning or maintenance. Do not allow water to flow into the charger. Use a Ground Fault Circuit Interrupter (GFCI) to reduce shock hazards.

- **Do not burn or incinerate battery packs** - Battery packs may explode, causing personal injury or damage. Toxic fumes and materials are created when battery packs are burned.
- **Do not crush, drop or damage battery packs** - Do not use the battery pack or charger if they have sustained a sharp blow, been dropped, run over or have been damaged in any way (i.e. pierced with a nail, hit with a hammer, stepped on, etc.).
- **Do not disassemble** - Incorrect reassembly may pose a serious risk of electric shock, fire or exposure to toxic battery chemicals. If the battery or charger are damaged, call WEN customer service at 1-800-232-1195 for assistance.

# BATTERY & CHARGER INSTRUCTIONS

- **Battery chemicals cause serious burns** - Never let a damaged battery pack contact the skin, eyes or mouth. If a damaged battery pack leaks battery chemicals, use rubber or neoprene gloves to safely dispose of it. If skin is exposed to battery fluids, wash the affected area with soap and water and rinse with vinegar. If eyes are exposed to battery chemicals, immediately flush with water for 20 minutes and seek medical attention. Remove and dispose of contaminated clothing.
- **Do not short circuit** - A battery pack will short circuit if a metal object makes a connection between the positive and negative contacts on the battery pack. Do not place a battery pack near anything that may cause a short circuit, such as paper clips, coins, keys, screws, nails and other metallic objects. A short-circuited battery pack poses a risk of fire and severe personal injury.
- **Store your battery pack and charger in a cool, dry place** - Do not store the battery pack or charger where temperatures may exceed 104 °F, such as in direct sunlight or inside a vehicle or metal building during the summer.

## **ABOUT THE BATTERY:**

1. The battery pack supplied with your cordless tool is only partially charged. The battery pack has to be charged completely before you use the tool for the first time.
2. For optimum battery performance, avoid low discharge cycles by charging the battery pack frequently.
3. Lithium-ion batteries are subject to a natural aging process. The battery pack must be replaced at the latest when its capacity falls to just 80% of its capacity when new. Weakened cells in an aged battery pack are no longer capable of meeting the high power requirements needed for the proper operation of your tool, and therefore pose a safety risk.
4. Do not throw battery packs into an open fire as this poses a risk of explosion. Do not ignite the battery pack or expose it to fire.
5. Do not exhaustively discharge batteries. Exhaustive discharge will damage the battery cells. The most common cause of exhaustive discharge is lengthy storage or non-use of partially discharged batteries. Stop working as soon as the performance of the battery falls noticeably or the electronic protection system triggers. Place the battery pack in storage only after it has been fully charged.
6. Protect batteries and the tool from overloads. Overloads will quickly result in overheating and cell damage inside the battery housing even if this overheating is not apparent externally.
7. Avoid damage and shocks. Immediately replace batteries that have been dropped from a height of more than one meter or those that have been exposed to violent shocks, even if the housing of the battery pack appears to be undamaged. The battery cells inside the battery may have suffered serious damage. In such instances, please read the waste disposal information for proper battery disposal.
8. If the battery pack suffers overloading and overheating, the integrated protective cutoff will switch off the equipment for safety reasons.
9. Use only original battery packs. The use of other batteries poses a fire risk and may result in injuries or an explosion.

# BATTERY & CHARGER INSTRUCTIONS

---

## CHARGER

Protect the battery charger and its cord from damage. Keep the charger and its cord away from heat, oil and sharp edges. Electrical plugs must match the outlet. Never modify the plug in any way. Do not use any adapter plugs with grounded appliances. Unmodified plugs and matching outlets will reduce the risk of electric shock.

Keep the battery charger, battery pack(s) and the cordless tool out of the reach of children. Do not use the supplied battery charger to charge other cordless tools. During periods of heavy use, the battery pack will become warm. Allow the battery pack to cool to room temperature before inserting it into the charger to recharge.

Do not overcharge batteries. Do not exceed the maximum charging times. These charging times only apply to discharged batteries. Frequent insertion of a charged or partially charged battery pack will result in overcharging and cell damage. Do not leave battery in the charger for days on end. Never use or charge a battery if you suspect that it has been more than 12 months since the last time they were charged. There is a high probability that the battery pack has already suffered dangerous damage (exhaustive discharge). Do not use battery that have been exposed to heat during the charging process, as the battery cells may have suffered dangerous damage. Do not use battery that have suffered curvature or deformation during the charging process or those that exhibit other atypical symptoms (gassing, hissing, cracking, etc.)



**Warning:** Waste electrical products should not be disposed of with household waste. Please recycle where facilities exist. Check with your local authority or retailer for recycling advice.

## ELECTRICAL INFORMATION

---

### GROUNDING INSTRUCTIONS (For charger)

IN THE EVENT OF A MALFUNCTION OR BREAKDOWN, grounding provides the path of least resistance for an electric current and reduces the risk of electric shock. This tool is equipped with an electric cord that has an equipment grounding conductor and a grounding plug. The plug **MUST** be plugged into a matching outlet that is properly installed and grounded in accordance with **ALL** local codes and ordinances.

**DO NOT MODIFY THE PLUG PROVIDED.** If it will not fit the outlet, have the proper outlet installed by a licensed electrician.

**IMPROPER CONNECTION** of the equipment grounding conductor can result in electric shock. The conductor with the green insulation (with or without yellow stripes) is the equipment grounding conductor. If repair or replacement of the electric cord or plug is necessary, **DO NOT** connect the equipment grounding conductor to a live terminal.

**CHECK** with a licensed electrician or service personnel if you do not completely understand the grounding instructions or whether the tool is properly grounded.

**CAUTION:** In all cases, make certain the outlet in question is properly grounded. If you are not sure, have a licensed electrician check the outlet.



**WARNING:** This charger is for indoor use only. Do not expose to rain or use in damp locations.

## ELECTRICAL INFORMATION

---

### GUIDELINES FOR EXTENSION CORDS

Make sure your extension cord is in good condition. When using an extension cord, be sure to use one heavy enough to carry the current your product will draw. An undersized cord will cause a drop in line voltage resulting in loss of power and overheating. The table below shows the correct size to be used according to cord length and nameplate ampere rating. When in doubt, use a heavier cord. The smaller the gauge number, the heavier the cord.

Make sure your extension cord is properly wired and in good condition. Always replace a damaged extension cord or have it repaired by a qualified person before using it.

Protect your extension cords from sharp objects, excessive heat and damp/wet areas.

AMPERAGE	REQUIRED GAUGE FOR EXTENSION CORDS			
	25 ft.	50 ft.	100 ft.	150 ft.
2.5 A	18 gauge	16 gauge	14 gauge	12 gauge

Use a separate electrical circuit for your tools. This circuit must not be less than a #12 wire and should be protected with a 15 A time-delayed fuse. Before connecting the motor to the power line, make sure the switch is in the OFF position and the electric current is rated the same as the current stamped on the motor nameplate. Running at a lower voltage will damage the motor.

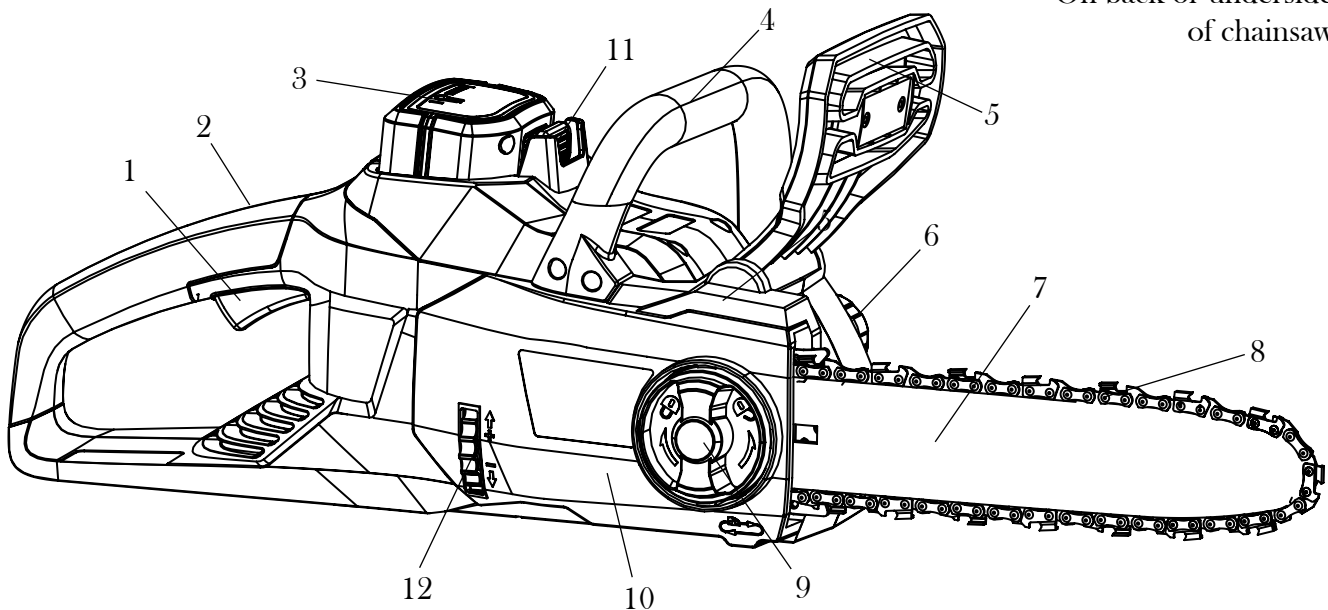
**WARNING:** This tool must be grounded while in use to protect the operator from electric shock.

## KNOW YOUR CHAINSAW

---

1	Trigger	5	Hand Guard/Chain Break	9	Side Cover Lock
2	Safety Switch*	6	Oil Cap*	10	Side Cover
3	Battery	7	Guide Bar	11	Battery Release Button
4	Front handle	8	Chain	12	Chain Tension Wheel

\*On back or underside of chainsaw



## ASSEMBLY AND ADJUSTMENTS



**WARNING:** Always be sure to remove the battery before adjusting, adding accessories, or checking a function on the tool.

### ASSEMBLY OF GUIDE BAR AND SAW CHAIN

1. Place the saw body on a firm and level surface.
2. Rotate the bar guide bar lock counterclockwise (Figure A - 1) to remove the cover from the saw's body.
3. With the help of protective gloves, wrap the saw chain around the guide bar, making sure that the teeth are aimed in the direction of rotation. The chain should be properly set in the slot running along the entire outside edge of the guide bar.
4. Place the saw chain around the sprocket (Figure B - 1) while lining up the slot in the guide bar with the internal bolt (Figure B - 2) at the base of the saw and the chain tensioning pin (Figure B - 3) in the guide bar's pin hole. The chain tensioning pin may need adjustment to properly align with the hole in the guide bar. Use the chain tensioning wheel (Figure B - 4) to adjust its location until it fits in the guide bar.
5. Turn the chain tensioning wheel to preliminarily tighten the guide bar enough that it stays in place. While holding the bar still, place the cover back onto the saw. Make sure the tab properly lines up with the slot on the body of the saw (Figure C). Lock the cover in place with the cover locking knob by turning it clockwise until it engages. Adjust tension (next).

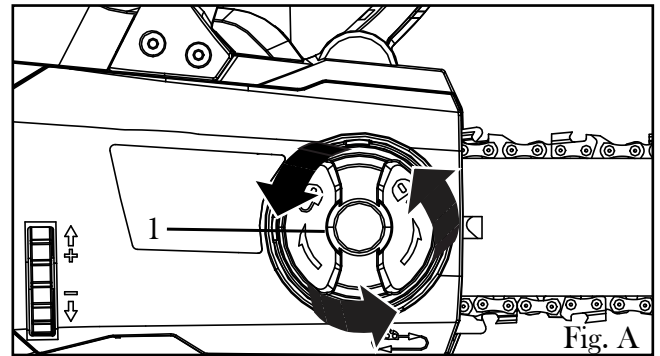


Fig. A

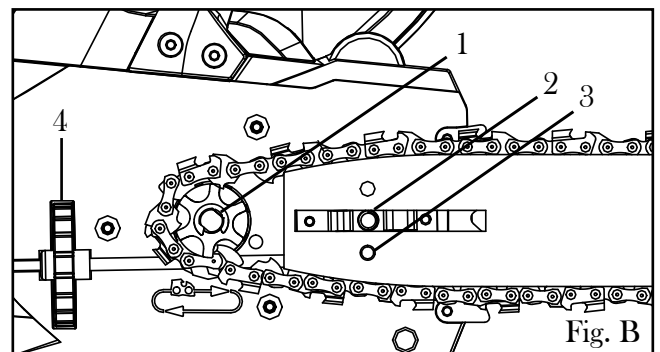


Fig. B

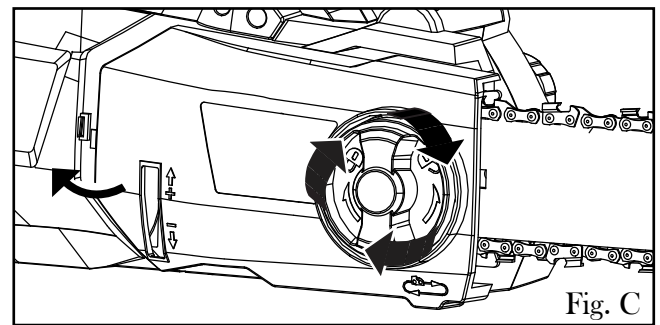


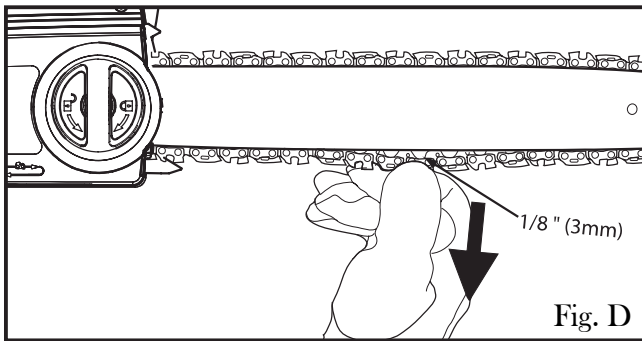
Fig. C

### TENSIONING THE CHAIN

1. Check the chain tension by pulling the saw chain away from the guide bar. A properly tensioned chain should have roughly 1/8 inch (3 mm) of distance between itself and the bar guide (Fig. D).
2. If adjustments are needed, loosen the bar adjustment locking knob one full turn.
3. To adjust the saw chain tension, rotate the chain tensioning wheel (Fig. E). Rotating the wheel upwards increases the tension while rotating it downwards decreases tension. A properly tensioned chain should have no sag (Fig. F) and should only be able to be pulled 1/8 inch (3 mm) away from the guide bar of the saw.
4. Once the chain is properly tensioned, tighten the bar adjustment locking knob. Do not over-tension the chain: this will lead to excessive wear and reduces the life of both the bar and chain.

**NOTE:** The saw chain must be tensioned properly in order to ensure safe operation. The chain tension is optimal if the saw chain can be lifted 1/8 inch (3 mm) from the center of the guide bar. Since the saw chain heats up during operation, its length can therefore fluctuate. Check the chain tension every 10 minutes of operation and adjust as necessary, particularly for new saw chains. Slacken the saw chain after the work is completed since it shortens when cooling down. In doing so, you can elongate the chain's life and prevent damage.

## ASSEMBLY AND ADJUSTMENTS



### REPLACING THE CHAIN

1. Rotate the bar adjustment locking knob and remove the cover of the saw's body (see Assembly of Guide Bar and Chain for more details - Page 8).

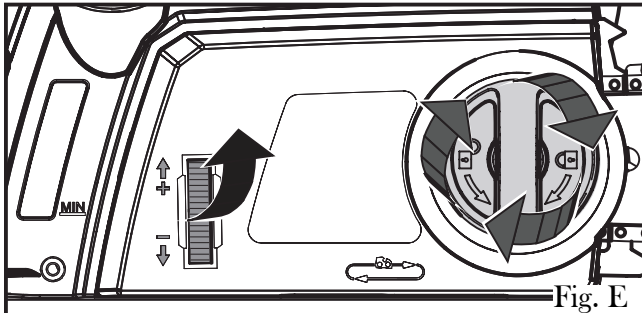
2. Lift the worn saw chain out of the fitted slot in the guide bar.



**WARNING** - when handling saw chains, always wear protective gloves.

3. Place the new chain in this position, making sure the teeth are facing the correct direction and that the edge of the chain fits into the slot around the guide bar.

4. Replace the cover. Adjust tension before operating.

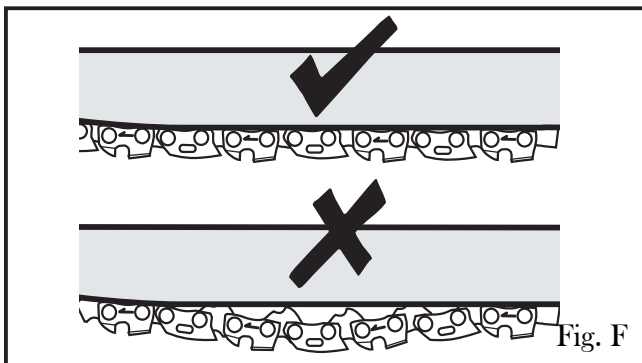


### FILLING THE AUTO OIL SYSTEM

This chainsaw features an auto-oiling system to keep the chain and guide bar properly lubricated. The oil level indicator shows the remaining oil in the chainsaw. If the oil level decreases to below one quarter capacity, refill it with the proper bar and chain oil. To fill the oil reservoir:

1. Remove the oil cap. Fill the reservoir with bar and chain oil until the oil level has reached full capacity.

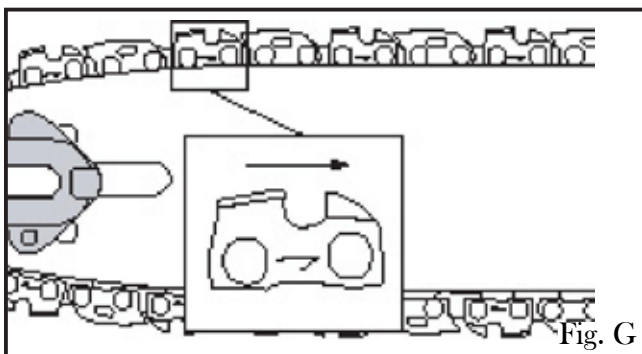
2. Put the oil cap back on. Make sure to check the oil level after every 10 minutes of use. Unplug the chainsaw before checking oil levels or filling the oil reservoir.



### REMOVING AND CHARGING THE BATTERY

1. Press the lock button on the top center of the battery to slide it out of the chainsaw.

2. Place the battery pack into the charger by sliding it into a locked position until it clicks



3. When the green light is flashing, the battery is charging. If the green light is no longer flashing, the battery is fully charged.

### ATTACH /REMOVE THE BATTERY

Note: The battery is not fully charged at the time of purchase. Before using the chainsaw for the first time, place the battery in the charger and charge it fully.

To insert the battery, slide it into the back of the chainsaw until a “click” is heard. Make sure the battery is fully inserted and latched into position. To remove the battery, press the release button and slide the battery out of the chainsaw. This is the same way to insert and remove the battery from the charging station.

# OPERATION

---

## PREPARATION

Before each use, check the following items to ensure safe working conditions.

**CHAINSAW:** before beginning work, inspect the chainsaw for damage to the housing, the extension cord, the saw chain and the guide bar. Never use an obviously damaged machine.

**CHAIN OIL:** check the fill level of the oil tank. Also check whether there is sufficient oil available while working. Never operate the saw if there is no oil or the oil level has dropped below the minimum oil level mark in order to prevent damage to the chainsaw. On average, an oil filling is sufficient for approximately 10 minutes of cutting operation (depending the duration of pauses and the density of the workpiece).

**SAW CHAIN:** check the tension of the saw and the condition of the blades. The sharper the saw chain is, the easier and more manageable operations will be. The same applies to chain tension. Check the tension every 10 minutes of operation to maximize safety. New saw chains in particular are subject to changes due to the heat created by operation.

**PROTECTIVE CLOTHING:** make absolutely sure to wear the appropriate close-fitting protective clothing such as protective pants, gloves and safety shoes. Wear a safety helmet with integrated hearing protection and a face guard to provide protection against falling and recoiling branches.

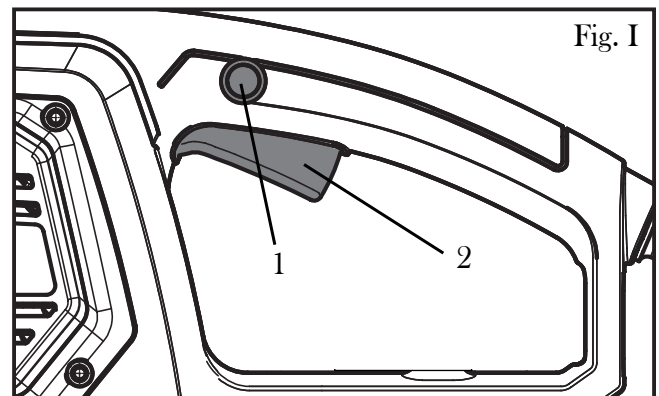
## SAFETY WARNINGS

1. In order to ensure safe work, do not operate the saw above shoulder height.
2. Never stand below a branch that is being sawed.
3. Exercise caution when sawing both branches under tension or branches that are splintering.
4. Make sure to safe guard against the risk of injury from falling branches and flying wood projectiles.
5. If the machine is in operation, keep persons and animals away from the danger area.
6. The machine is not protected against electric shock when coming into contact with high-voltage lines. Maintain a minimum clearance of 30 feet from current-carrying power lines to avoid life-threatening electric shock.
7. When working on an incline, always stand above or to the side of the branch being sawed.
8. Allow the chain to cut for you. Keep the saw running at full speed for the entire duration of the cut.

## ON/OFF SWITCH

To turn the tool ON: press the safety button (Fig. I - 1) and then squeeze the trigger (Fig. I - 2). After the tool has started, you can release the safety switch without turning the tool off.

To turn the tool OFF: release the trigger switch (Fig. I - 2).



# OPERATION

---

## **SAWING TECHNIQUES**

Saw off the lower branches on the tree first. By doing so, it is easier for the cut branches to fall to the ground.

At the end of the cut, the weight of the saw suddenly increases for the user since it is no longer being supported by a branch. There is a risk of losing control of the saw, so make sure to stay alert during the entire sawing operation.

Only pull the saw out of a cut while the saw is running. By doing so, you prevent the chain from jamming in the wood.

Do not saw with the tip of the guide bar. Do not saw into the branch formations (where the tree branches outwards). This will impede the tree's ability to heal.

For sawing off smaller branches, place the stop face of the saw on the branch. This prevents unwanted movements of the saw at the beginning of the cut. While applying light pressure, guide the saw through the branch from top to bottom.

For sawing off larger branches, first make a relief cut. Saw through 1/3 of the branch diameter from the bottom to top using the top side of the guide bar. Then saw from top to bottom for the other 2/3 using the bottom side of the guide bar. Saw off longer branches in sections in order to maintain control over the location of impact.

## **PREVENTING KICKBACK**

The term kickback refers to when the saw suddenly jumps up and back. This is usually caused by the workpiece coming into contact with the guide bar tip or the clamping of the saw chain.

A kickback generates an abrupt powerful force. The saw usually reacts in an uncontrolled manner, creating the possibility of injury to the user.

The danger of a kickback is greatest when attempting to cut near or with the guide bar tip. Always apply the saw as flatly as possible in order to avoid a loss of control during operation.

**WARNING:** Do not cut down trees in high wind conditions. This can result in injury and should only be performed by a trained professional.

## MAINTENANCE

---

**WARNING:** In order to avoid personal injury and the risk of fire and electric shock, remove the battery pack before adjusting, inspecting, or cleaning the chainsaw.

### **CLEANING**

1. Brush or blow dust and debris out of the air vents using compressed air or a vacuum. Keep the air vents free of obstructions, sawdust, and wood chips. Do not spray, wash, or immerse the air vents in water.
2. Wipe off the housing and the plastic components using a moist, soft cloth. Do not use strong solvents or detergents on the plastic housing or plastic components. Certain household cleaners may cause damage, and may cause a shock hazard.
3. Routinely clean out the dust and debris that gathers under the tension housing, the oil outlet, and around the bar and the chain sprocket. Otherwise it can jam up the sprocket, the chain, and the lubrication system.

### **BATTERY**

1. Make sure the battery is fully charged before storage in order to maximize the life of the battery.
2. Do not store the battery pack on the tool.
3. After charging, the battery pack may be stored in the charger, as long as the charger is not plugged in.

### **CHARGER**

1. Keep the charger clean and clear of debris. Do not allow foreign material to get into the recessed cavity or onto the contacts. Wipe the charger clean with a dry cloth. Do not use solvents or water, and do not place the charger in wet conditions.
2. Unplug the charger when there is no battery in it.
3. Fully charge the battery before placing it in storage.
4. Store the charger at normal room temperature. Do not store it in excessive heat. Do not use the charger in direct sunlight or in damp conditions. Do not charge outside. Recharge at room temperature. If the battery is hot, allow it to cool down before recharging.

## STORAGE

---

Examine the cordless chainsaw thoroughly for worn, loose or damaged parts. If you need to repair or replace a part, contact WEN customer service at 1-800-232-1195.

Clean the unit before storing or transporting. Be sure to secure the unit while transporting.

Remove the battery from the chainsaw before storing.

Store the chainsaw in a clean, dry place. Cover it in order to provide added protection.

Always store battery and charger indoors.



**This shipment contains lithium ion batteries:**

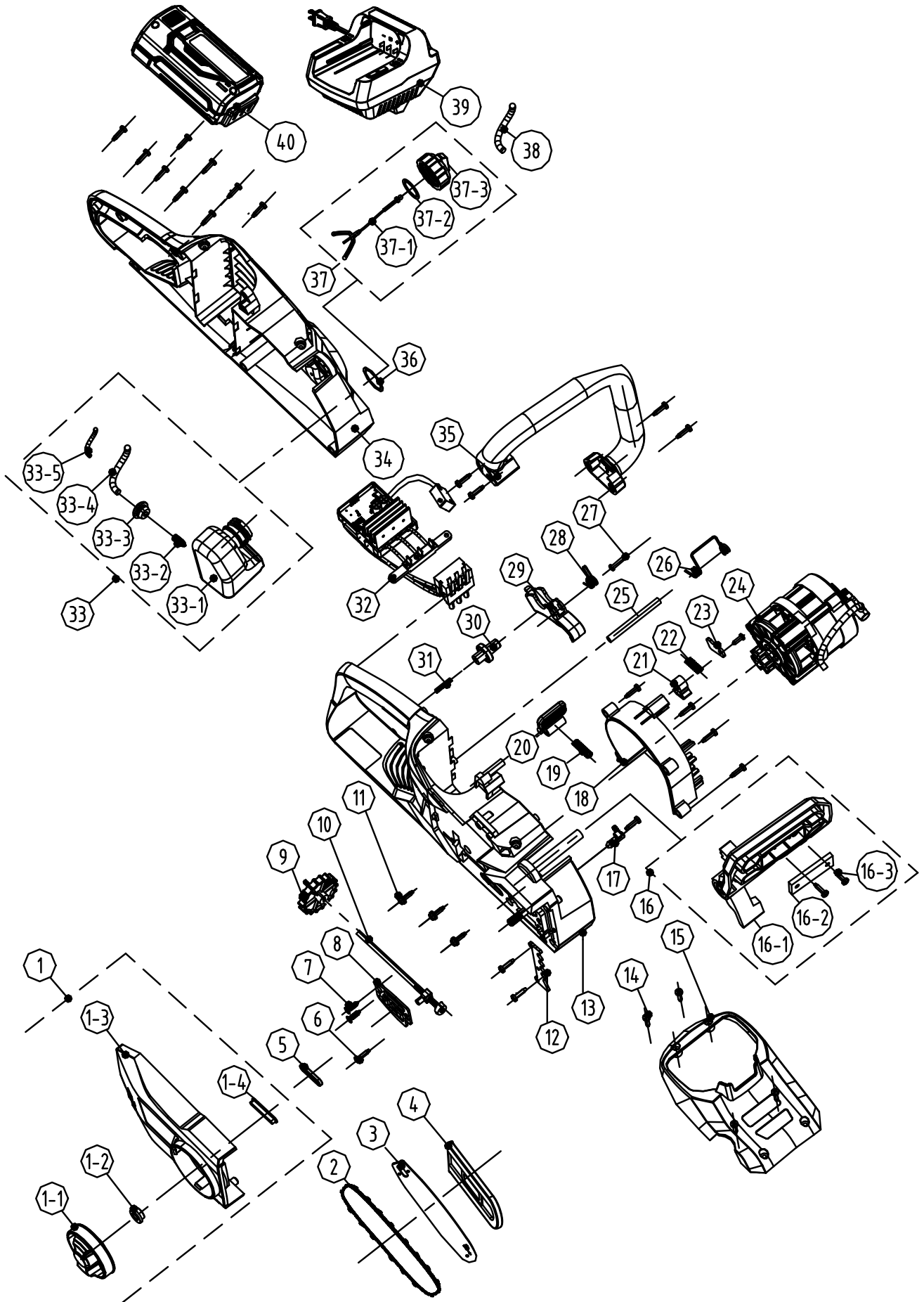
Please handle with care. Fragile contents. Keep dry.

A flammable hazard exists if this package becomes damaged.

Special procedures must be followed in the event this package becomes damaged. Call the number below for a Safety Data Sheet.

For more information call 800-232-1195.

# EXPLODED VIEW AND PARTS LIST



# EXPLODED VIEW AND PARTS LIST

---

No.	Part Number	Description	Qty.
1	40417-001	Blade Tension Cap Assembly	1
1-1		Tension Lock Knob	1
1-2		Spindle Cover	1
1-3		Bar Cover	1
1-4		Cover Seal	1
2	40417-002	Chain	1
3	40417-003	Guide Bar	1
4	40417-004	Sheath	1
5	40417-005	Oil Feed Seal	1
6	40417-006	Screw	22
7	40417-007	Screw	2
8	40417-008	Insulating Washer	1
9	40417-009	Tension Adjusting Knob	1
10	40417-010	Tension Adjustment Rod	1
11	40417-011	Screw	3
12	40417-012	Bucking Teeth	1
13	40417-013	Right Housing	1
14	40417-014	Screw	4
15	40417-015	Upper cover	1
16	40417-016	Brake Handle Assembly	1
16-1		Brake Handle	1
16-2		Guard Plate	1
16-3		Screw	2
17	40417-017	Oil Outlet Nozzle	1
18	40417-018	Housing Vent	1
19	40417-019	Battery Pack Release Spring	1
20	40417-020	Battery Pack Release Lever	1
21	40417-021	Lock	1

No.	Part Number	Description	Qty.
22	40417-022	Bake Spring	1
23	40417-023	Clamp	1
24	40417-024	Motor	1
25	40417-025	Shaft	1
26	40417-026	Spring	1
27	40417-027	Screw	1
28	40417-028	Torsion Spring	1
29	40417-029	Trigger	1
30	40417-030	Safety Button	1
31	40417-031	Safety Spring	1
32	40417-032	PCB	1
33	40417-033	Oil Tank Assembly	1
33-1		Oil Tank	1
33-2		Filter	1
33-3		Seal	1
33-4		Oil Tube (90)	1
33-5	Spring (60)	1	
34	40417-034	Left Housing	1
35	40417-035	Handle	1
36	40417-036	Rubber Washer	1
37	40417-037	Oil Cap Assembly	1
37-1		Hanger	1
37-2		Seal Ring	1
37-3		Oil Cap	1
38	40417-038	Oil Tube (120)	1
39	40400	Charger	1
40	40404	4.0Ah Battery	1

## LIMITED TWO YEAR WARRANTY

---

WEN Products is committed to building tools that are dependable for years. Our warranties are consistent with this commitment and our dedication to quality.

### LIMITED WARRANTY OF WEN CONSUMER POWER TOOLS PRODUCTS FOR HOME USE

GREAT LAKES TECHNOLOGIES, LLC (“Seller”) warrants to the original purchaser only, that all WEN consumer power tools will be free from defects in material or workmanship for a period of two (2) years from date of purchase. Ninety days for all WEN products, if the tool is used for professional use.

**SELLER’S SOLE OBLIGATION AND YOUR EXCLUSIVE REMEDY** under this Limited Warranty and, to the extent permitted by law, any warranty or condition implied by law, shall be the repair or replacement of parts, without charge, which are defective in material or workmanship and which have not been misused, carelessly handled, or misrepaired by persons other than Seller or Authorized Service Center. To make a claim under this Limited Warranty, you must make sure to keep a copy of your proof of purchase that clearly defines the Date of Purchase (month and year) and the Place of Purchase. Place of purchase must be a direct vendor of Great Lakes Technologies, LLC. Third party vendors such as garage sales, pawn shops, resale shops, or any other secondhand merchant void the warranty included with this product. Contact [techsupport@wenproducts.com](mailto:techsupport@wenproducts.com) or 1-800-232-1195 to make arrangements for repairs and transportation.

When returning a product for warranty service, the shipping charges must be prepaid by the purchaser. The product must be shipped in its original container (or an equivalent), properly packed to withstand the hazards of shipment. The product must be fully insured with a copy of the warranty card and/or the proof of purchase enclosed. There must also be a description of the problem in order to help our repairs department diagnose and fix the issue. Repairs will be made and the product will be returned and shipped back to the purchaser at no charge.

**THIS LIMITED WARRANTY DOES NOT APPLY TO ACCESSORY ITEMS THAT WEAR OUT FROM REGULAR USAGE OVER TIME INCLUDING BELTS, BRUSHES, BATTERIES, ETC.**

**ANY IMPLIED WARRANTIES SHALL BE LIMITED IN DURATION TO TWO (2) YEARS FROM DATE OF PURCHASE. SOME STATES IN THE U.S., SOME CANADIAN PROVINCES DO NOT ALLOW LIMITATIONS ON HOW LONG AN IMPLIED WARRANTY LASTS, SO THE ABOVE LIMITATION MAY NOT APPLY TO YOU.**

**IN NO EVENT SHALL SELLER BE LIABLE FOR ANY INCIDENTAL OR CONSEQUENTIAL DAMAGES (INCLUDING BUT NOT LIMITED TO LIABILITY FOR LOSS OF PROFITS) ARISING FROM THE SALE OR USE OF THIS PRODUCT. SOME STATES IN THE U.S. AND SOME CANADIAN PROVINCES DO NOT ALLOW THE EXCLUSION OR LIMITATION OF INCIDENTAL OR CONSEQUENTIAL DAMAGES, SO THE ABOVE LIMITATION OR EXCLUSION MAY NOT APPLY TO YOU.**

**THIS LIMITED WARRANTY GIVES YOU SPECIFIC LEGAL RIGHTS, AND YOU MAY ALSO HAVE OTHER RIGHTS WHICH VARY FROM STATE TO STATE IN THE U.S., PROVINCE TO PROVINCE IN CANADA AND FROM COUNTRY TO COUNTRY.**

**THIS LIMITED WARRANTY APPLIES ONLY TO PORTABLE ELECTRIC TOOLS, BENCH POWER TOOLS, OUTDOOR POWER EQUIPMENT AND PNEUMATIC TOOLS SOLD WITHIN THE UNITED STATES OF AMERICA, CANADA AND THE COMMONWEALTH OF PUERTO RICO. FOR WARRANTY COVERAGE WITHIN OTHER COUNTRIES, CONTACT THE WEN CUSTOMER SUPPORT LINE.**