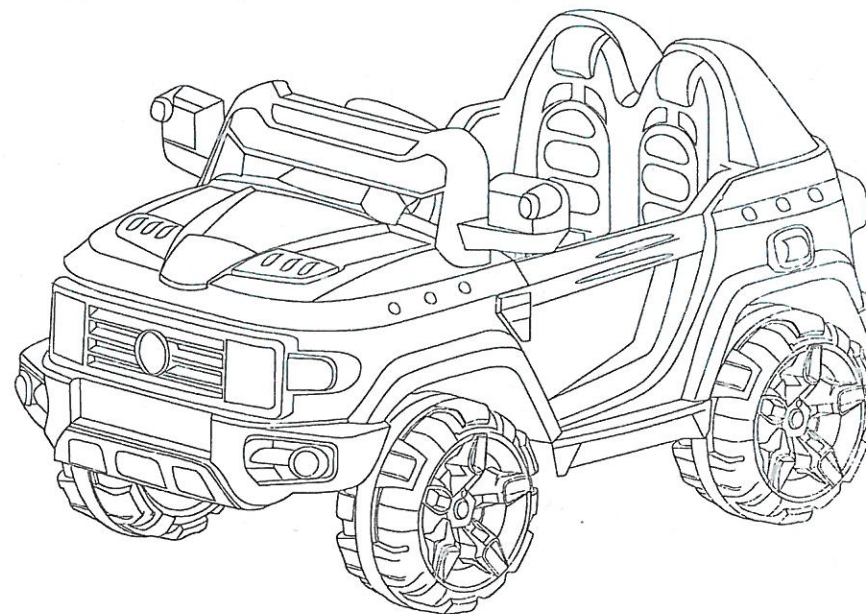


SKY2069

Children Electric Car
Installation and Application Manual


- Simulation car modeling
- Steering wheel with music function
- [Optional] volume control, MP3 speakerphone and flash function
- Remote or manual control
- Equipped with seat belt
- Manual transmission control forward and backward
- Remote control forward, backward, left and right turn
- Carried standards: ASTM F963-11



The product should have adult assembly
The product prevails in kind, the pattern is for reference only

The illustrations used in this manual are to illustrate the operation method and product structure; in the case of a small amount of different between kind and illustrations, please prevail in kind.

To improve the product quality, we may change some of the structure and appearance without notification, please understand.

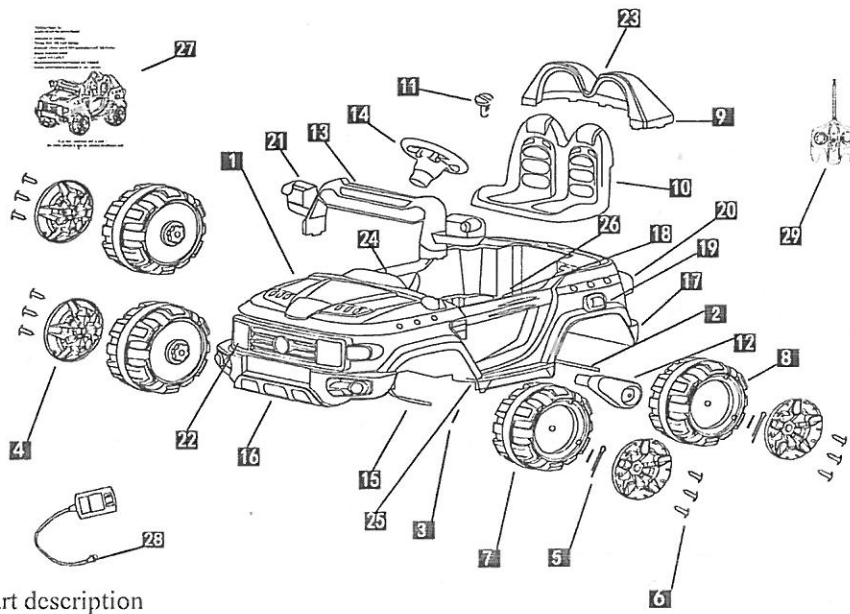
 Please read the manual before using the product, it will tell you correct method of operation and installation procedures to avoid damaging the product or hurting your kid due to incorrect operation. The manual should be properly kept and placed in place with easy access.

Specifications _____

Name	Specifications
Battery and fuse	Single-drive (6V10AH, 6V7AH) (resettable fuse:10A/15A) Dual-drive (12V7AH, 6V10AH, 12V10AH)
Motor	Single drive/dual drive 6V/12V 15W/20W (drive) 6V9W (steering)
Suitable age	3-7years
Maximum load	35kg
Size	1150×730×610mm
Speed	High speed:3.6KM/H Low-speed:2.3KM/H
Service time	Charge for 8–12 hours and use for 1–2 hours
Charger	Output: DC6V1000MA or DC12V1000MA

※ The above parameters are optional for customers, the specific parameters of a real kind shall prevail

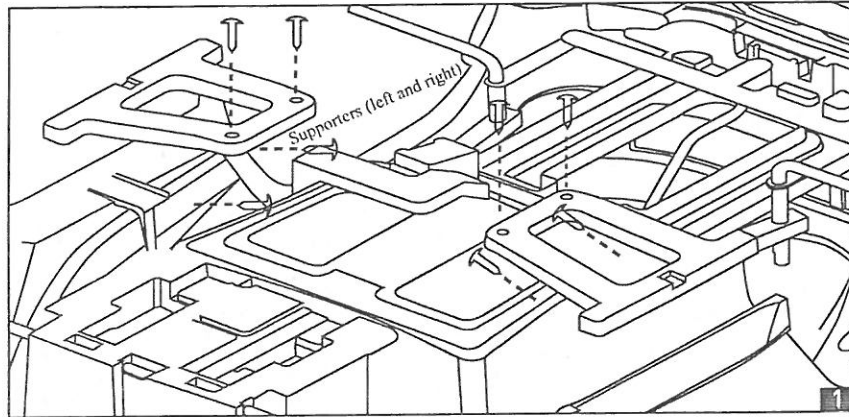
Part description



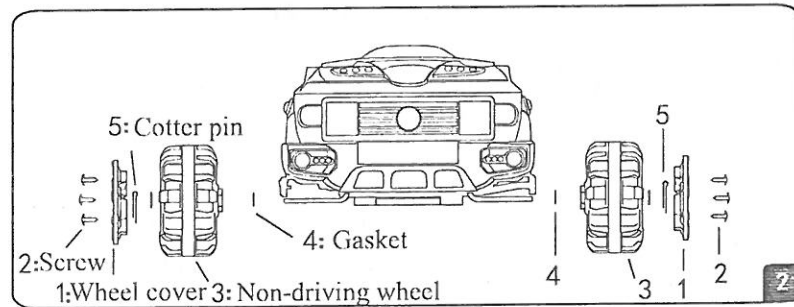
Part description

No.	Name	Quantity	No.	Name	Quantity	No.	Name	Quantity
1	Car body	1	11	Seat, knob	1	21	Mirror	2
2	Rear axle	1	12	Gearbox assembly	1	22	Headlamp cover	2
3	Gasket	8	13	Windshield bracket	1	23	Backrest light film	1
4	Wheel cover	4	14	Steering wheel	1	24	Shift lever	1
5	Cotter pin	4	15	Steering bracket	1	25	Side stand	2
6	Screw	12	16	Front bumper	1	26	Battery mould layer	1
7	Non-driving wheel	3	17	Rear bumper	1	27	Manual	1
8	Driving wheel	1	18	Battery	1	28	Charger	1
9	Backrest	1	19	Fuel tank cap decoration	1	29	Remote control	1
10	Seat	1	20	Tail lamp cover	2			

Installation instruction



1. Turn the vehicle upside down and fix the supporter by screws



2. Install the front wheel (see Figure 2)

- Install a gasket on both sides of the front axle respectively and then install a non-driving wheel on both sides of the front axle respectively.
- Install a gasket on both sides of the non-driving wheel respectively, insert the cotter pin into the front axle hole and then fixed by hole tools.
- Correspond the screw holes on the wheel cover with these on the non-driving wheels, and then fixed by screws.

Precautions

- Before use, please check whether the components are properly installed and tightly connected.
- Do not use in dangerous places such as the street, road, slope, ditch.
- Please do not use in the smooth ground, such as marble, tiles and other surfaces.
- Please do not switch the forward /backward switch in the electric cars. Please do not let children stand on the seat.
- Do not change the car circuit and additional electrified device.
- The remote and electric car should get wet in the rain, do not pour water or other liquid on the car, do not immerse in water, please stay away from the fire and avoid line damage.
- When encountering obstacles, the electric car stop running, please leave the obstacle before riding.
- Do not use indoor to avoid crashing furniture or kid falling.
- When the remote control battery is low, the car can only move forward by remote control, the left and right directions cannot be controlled; please immediately replace battery in the circumstance of short remote distance and jitter.
- When the sound and light battery is low, the sound and light function will disappear while other functions remain normal, Please immediately replace the battery!
- The car can only be ridden by one kid, no overload is allowed, the maximum load is 35kg.
- When not in use, please turn off the power switch; in long-term idleness, please unplug the battery connector.

※ Note: the product images, features and introduction are for reference only, prevail in kind.

Maintenance

- To ensure your baby from accidental damage, please conduct inspection and maintenance on regular basis.
- Please check whether the components are complete before assembly, if something is missing, please contact us immediately.
- Make regular check whether there is loose screw or damaged parts.
- In the installation or use of spare parts, please check the intactness on regular basis.
- Please clean the product on regular basis, be careful not to damage the electric elements.
- In regular disassembly, please operate according to the manual to avoid unnecessary damage.
- Please make regular inspection of the products and the charger used, check the wire and plugs.
- Check whether the shell and other components are damaged. If damage is found, please immediately stop using until it is repaired.

Warning

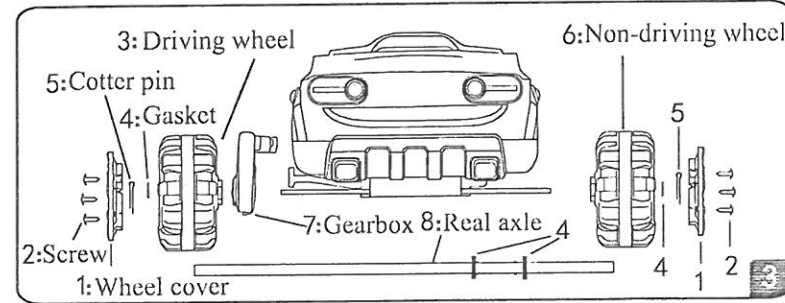
For the safe driving of your baby, please pay attention to the following warnings:

- The product assembly and adjustment must be handled by adults; please keep children away from moving parts.
- There are small parts inside, not suitable for kid at the age below 30 months.
- In driving, the kid must fasten the safety belt. Do not close to fire!
- The kid must drive the car under the guidance of adult and the adult should not leave the site.
- Do not allow children to stand or play on the foot-board (or in the electric car).
- Battery charging must be handled by adult. Please charge before using!
- To avoid injuring the kid, please keep the packaging such as plastic bag away from the kid thus avoiding the danger of suffocation!
- The use of non-manufacturer provided accessories is prohibited.
- All batteries should be inserted in the correct polarity.
- Please do not use the charger as toy.
- The maximum load of the car is 35kg, do not operate with overload.
- The service life of the car: 3-7years.
- Do not charge the non-rechargeable batteries, remove the exhausted batteries from the toy.
- Do not mix new, old batteries or batteries of different types.
- The power terminals cannot be short-circuited.
- The top cannot be connected to powers more than recommended number.
- During charging, the toy (complete vehicle) is inoperable.
- Must with the protection device, can't use as traffic tools.
- This toy without braking device.

Charging precautions

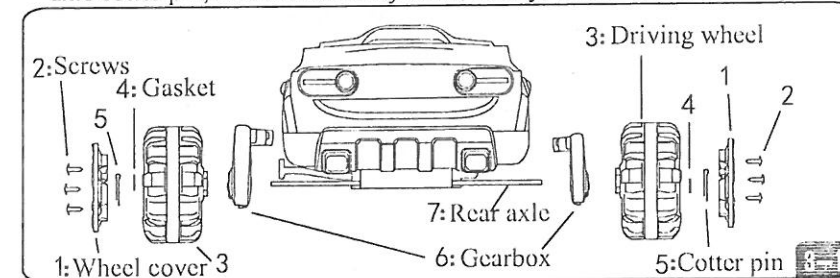
- In the first time of using the electric car, the battery must be charged for 18 hours, otherwise it will permanently damage the battery and cannot repair.
- During charge, plug the charger DC plug in the cherub charging jack, and then plug in the charger in the power outlet.
- Charge in a timely manner after one hour of using, the normal charging time is 8-12hours, and the time should not exceed 20 hours per charge.
- It is normal of the heating phenomenon of charger and battery (below 60C).
- The car must use the supporting charger and battery to avoid damaging the charger and battery or electrical circuit.
- When the car is in long-term idleness, charge at least once every month.

Installation instruction



3. Install the rear wheel (see Figure 3) single driving

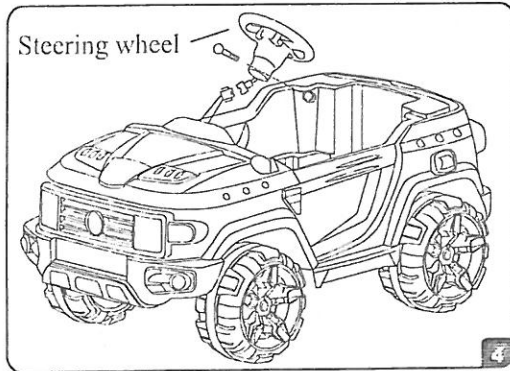
- Penetrate a gasket from the left side of the rear axle to get through the right side of the vehicle, pass a gasket in the right of the rear axle and install a gear box in the left side of the rear axle.
- Install the driving wheel on the left side of the vehicle body (the side with projecting teeth fits the gear box), and then install a non-driving wheel in the right side of the vehicle body.
- Install a gasket on both sides of wheels, penetrate the cotter pin into the rear axle cotter pin, and then fixed by tools, finally, fix the wheel cover by screws.



3-1. Install the rear wheel (see Figure 3-1 [optional]) final drive

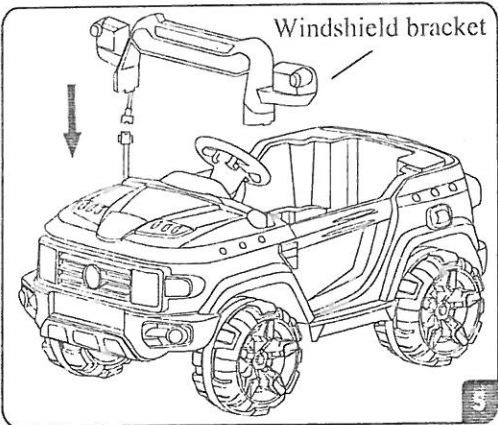
- penetrate the axle from the left side of vehicle body, and then install a gear box on both sides respectively, the "L", "R" on the gear box are in correspondence with the "L" and "R" on the vehicle body.
- Install the driving wheels, install a gasket and a cotter pin on both sides of the rear axle, align the screw holes in the wheel cover and these on the driving wheel, and then fixed by screws.

Installation instruction



4. Install the steering wheel: (see Figure 4)

Insert the connecting line first, as shown in the Figure, and then insert the steering wheel connecting rod and vehicle body connecting rods, insert the steering wheel into the steering yoke in place to align the screw holes, and then tighten the nuts. Do not tap the steering wheel buttons with great force in the assembly process.



5. Windshield bracket: (see Figure 5)

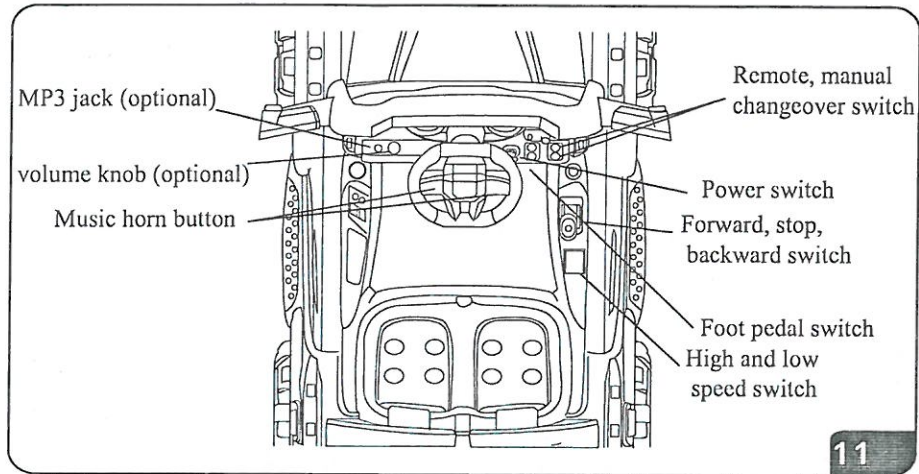
Forcefully insert the windshield into the corresponding holes of the vehicle to snap fit the windshield with the vehicle. (As shown in the Figure)

Troubleshooting

Type of fault	Cause analysis	Remedy
The car is not moving	<ol style="list-style-type: none"> 1. Low battery voltage 2. Electrical equipment protection 3. The switch is not in the correct position 4. Battery connector off 5. Bad battery 6. Damaged electrical appliance 7. Damaged motor 	<p>Fully charge the battery</p> <p>Use after stopping for a few minutes</p> <p>Use according to function description</p> <p>Re-plug</p> <p>Replace with new battery</p> <p>Repair in the repair shop</p> <p>Repair in the repair shop</p>
The battery can not be charged	<ol style="list-style-type: none"> 1. Battery connector falls off 2. The charger is not powered 3. The charger is broken 	<p>Re-plug</p> <p>Re-plug</p> <p>Replace the charger</p>
Short driving mileage	<ol style="list-style-type: none"> 1. The charger is not fully charged 2. Old battery 	<p>Re-charge the battery</p> <p>Replace battery</p>
Slight sound and heating in charging	<ol style="list-style-type: none"> 1 In chemical reaction 	Normal
Slow speed	<ol style="list-style-type: none"> 1. Old battery 2. Dead battery 3. Overload 4. Uneven ground 	<p>Replace with new battery</p> <p>Recharge the battery</p> <p>Reduce the load below 35kg</p> <p>Drive on flat ground</p>
Gearbox noise	Broken gear	Repair in the repair outlet
Jitter in the moving process	<ol style="list-style-type: none"> 1. Bad motor connection wire 2. Dead point on the motor 	<p>Connect again</p> <p>Repair in the repair outlet</p>
No sound in moving	<ol style="list-style-type: none"> 1 The steering wheel plug does not plug in 	Plug the connector
The car can not stop	<ol style="list-style-type: none"> 1. Damage to electrical appliance 	Repair in the repair outlet

Instruction

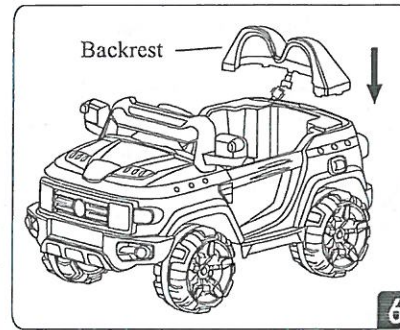
High/low speed



3-1. High and low speed control (see Figure 11) (optional)

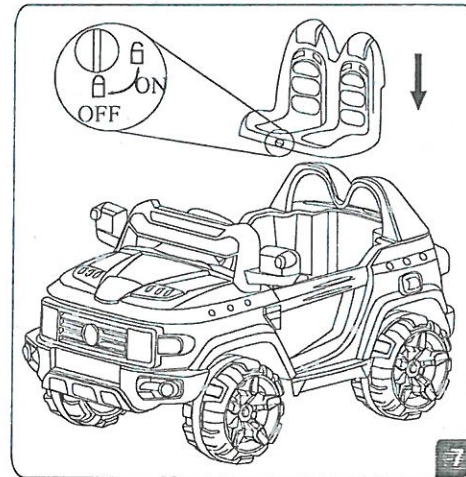
The driver sits properly, twists the power switch, the vehicle light flashes and sends out the startup sound. Set the remote and manual switch to "manual" position, and set the forward, backward, stop switch in "forward". Set the high-low switch on "high speed", step on the pedal, the car moves forward at high speed, release the pedal, the car stops. Put the switch in "backward" position and the high-low switch on "low speed", step on the pedal, the car moves forward at low speed, release the pedal, the car stops. The steering wheel control left and right direction. Pressing the buttons on the steering wheel can send out different sounds. ([Optional] at the same time of sending out the sound, the entire vehicle flashes)

Installation instruction



6. Install backrest: (see Figure 6)

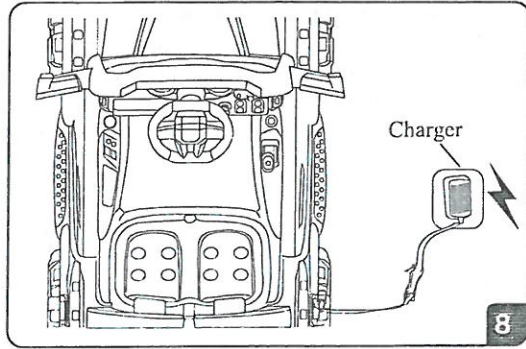
Forcefully insert the backrest into the corresponding holes of the vehicle body to snap fit the backrest and vehicle body (as shown in the Figure).



7. Install the seat (see Figure 7)

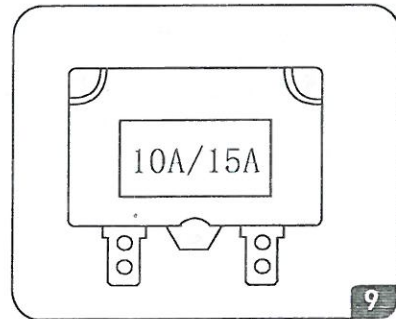
Rotate the seat latch to the ON position, and then align the fix in the middle of the chair with the fixing hole of the vehicle cloth seat hole, at the same time of forcefully pressing the seat downward, rotate the lock in the middle to the off position.

Instruction



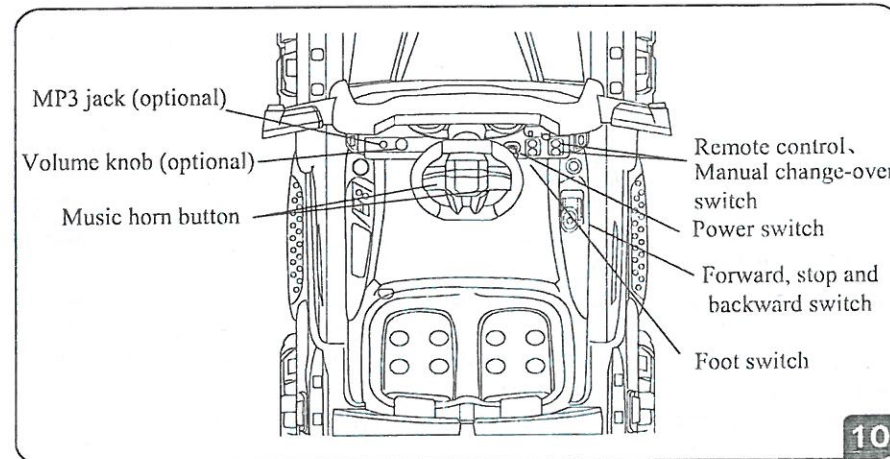
1. The charging of battery
(see Figure 8)

Please charge the battery in a timely manner in the case of low battery. The charging jack is located in the position of right vehicle side and above the rear wheel. (Note: the toy is inoperable in the charging state)



2. The use of fuse (see Figure 9)
Resettable fuse, when the current exceeds 10A/15A, it will automatically cut off the power and can automatically restore after 5 to 10 seconds (optional).

Instruction



3. Remote control, manual control (see Figure 10)

The driver sits properly, twists the power switch, the vehicle light flashes and sends out the startup sound. Set the remote and manual switch to "manual" position, and set the forward, backward, stop switch in "forward". Step on the pedal, the car moves forward, release the pedal, the car stops. Put the switch in "backward" position, step on the pedal, the car moves forward, release the pedal, the car stops. The steering wheel control left and right direction. Pressing the buttons on the steering wheel can send out different sounds. ([Optional] at the same time of sending out the sound, the entire vehicle flashes)