

CONGRATULATIONS!

You are now the proud owner of the ROCCAT™ Kave XTD Digital – Premium 5.1 Surround Headset with USB Remote & Sound Card. With true 5.1 surround sound, supreme comfort, robust design and a desktop remote featuring a high-quality inbuilt sound card and Bluetooth® smartphone pairing technology, the Kave XTD is the total audio solution for gamers.

USB Remote & Sound Card

Featuring a high-quality inbuilt sound card, the Kave XTD remote gives you total audio control at your fingertips. With 5.1 speaker ports, you can hook your existing sound system up and switch between output modes easily. Completed by a game/movie mode toggle, volume master controls, stylish LED lighting and tons more, the remote works as your audio command center.

Bluetooth® Pairing

Also featured in the Kave XTD remote is patented ROCCAT™ Bluetooth® technology which lets you to pair your BT-enabled smartphone to your headset, allowing you to make and receive calls without having to leave the action. Saving you time and keeping you focused on your game, you can chat to your friends through your headset while you keep on fragging.

High-comfort Surround Sound

With two 40mm driver units and one 30mm vibrator unit per ear cup, the Kave XTD provides fully-immersive surround sound audio. With hand-sewn leatherette ear cushions and plush headband padding, supreme comfort is complemented by a light yet robust and battle-proof design. A detachable microphone with mute LED rounds off your perfect gaming headset.



CALL BUTTON GUIDE*

Status	Call Button Action	Function
Standby	Press and hold (4s)	Initiate pairing
Incoming call	Press once	Accept call
Incoming call	Press and hold (2s)	Reject call
On a call	Press once	End call
Paired/Standby	Press and hold (2s)	Call back
Paired/Standby	Press once	Initiate call

Status	Bluetooth® LED Illumination
Not paired	Off
Paired	On
Pairing	Blinking

Status	Call Button LED
On a call	On
Idle	Off

SPECIFICATIONS

PACKAGE CONTAINS

- ROCCAT™ Kave XTD Digital – Premium 5.1 Surround Headset
- Desktop USB Remote with Inbuilt Sound Card
- Driver CD-ROM
- Quick-Installation Guide

SYSTEM REQUIREMENTS

- Free USB 2.0 port (500mA) for power supply
- Windows® 7 32 / 64 bit, Windows® 8 / Windows® 8 Pro
- For phone feature*: Bluetooth® 3.0, backward compatible with Bluetooth® 1.1, 1.2, 2.0 (+EDR) and 2.1

TECH SPECS

CENTER/FRONT/REAR DRIVER UNITS

- frequency response: 20~20.000Hz
- max. SPL at 1kHz: 115±3dB
- max. input power: 50mW
- driver diameter: 40mm
- driver unit material: Neodymium magnet
- impedance: 32Ω

VIBRATION DRIVER UNITS

- frequency response: 20~100Hz
- max. input power: 300mW
- driver diameter: 30mm

MICROPHONE

- frequency response: 10~10.000Hz
- driver diameter: 4x1.5mm
- sensitivity at 1kHz: -32±-2dB
- impedance: 2.2kΩ + 15%
- directivity: omni-directional

GENERAL

- weight (headset only): 335gr
- cable length: 3.6m



*only works with installed device driver

* full functionality dependent on finalizing BT® pairing



QUICK-INSTALLATION GUIDE

IMPORTANT DOCUMENT



© 2015 ROCCAT GmbH. All rights reserved. Any product names mentioned in this manual may be trademarks or registered trademarks and are the property of their respective owners. Information contained herein is subject to change without notice. ROCCAT GmbH shall not be made liable for any errors that may appear in this manual. This publication or parts of it may not be reproduced without the express consent of the publisher. Our goods come with guarantees that cannot be excluded under the Australian Consumer Law. You are entitled to a replacement or refund for a major failure and for compensation for any other reasonably foreseeable loss or damage. You are also entitled to have the goods repaired or replaced if the goods fail to be of acceptable quality and the failure does not amount to a major failure.

ROCCAT GmbH
Otto von Bahrenpark, Paul-Dessau-Str. 3G, 22761 Hamburg, Germany



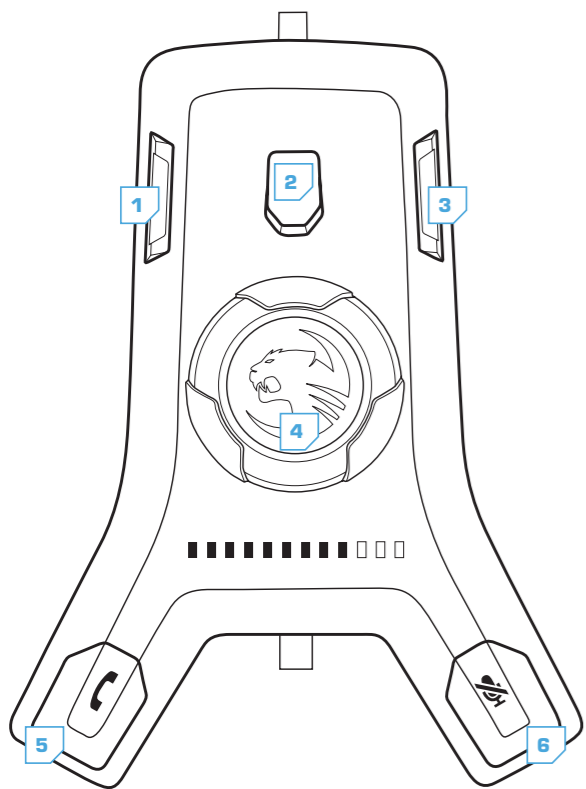
WWW.ROCCAT.ORG/SUPPORT

Our support team is ready to help with any technical questions. Just send an e-mail to support@roccat.org. Or visit our website at:

Should you need assistance ...

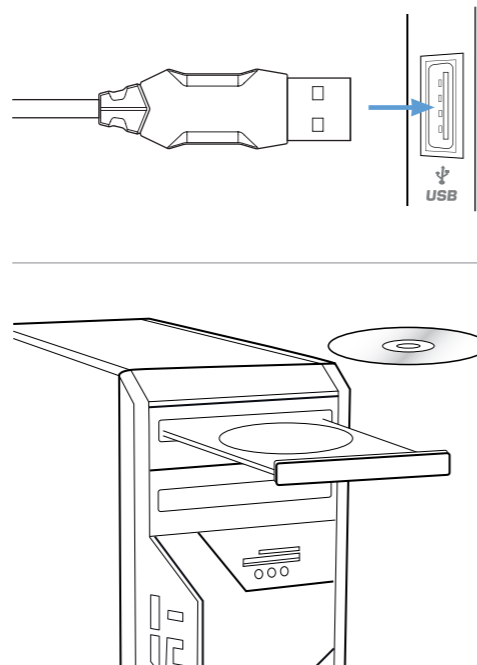


DESKTOP REMOTE



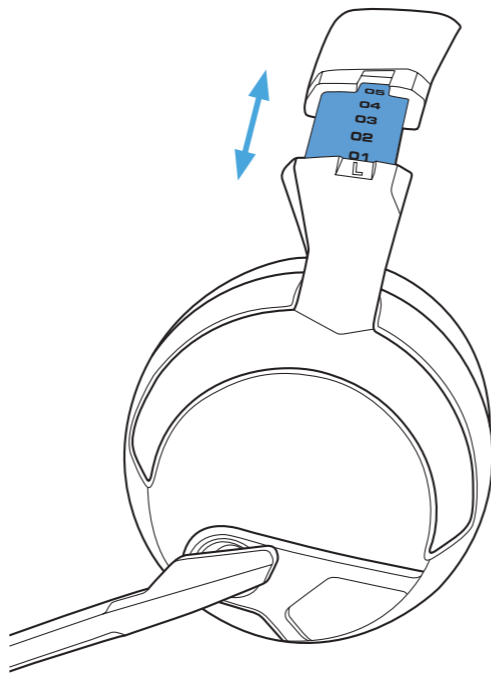
- 1** = Movie/game mode toggle
- 2** = Channel toggle
- 3** = Output mode toggle
- 4** = Volume/mute control
- 5** = Call button
- 6** = Microphone mute button

CONNECTION/INSTALLATION *

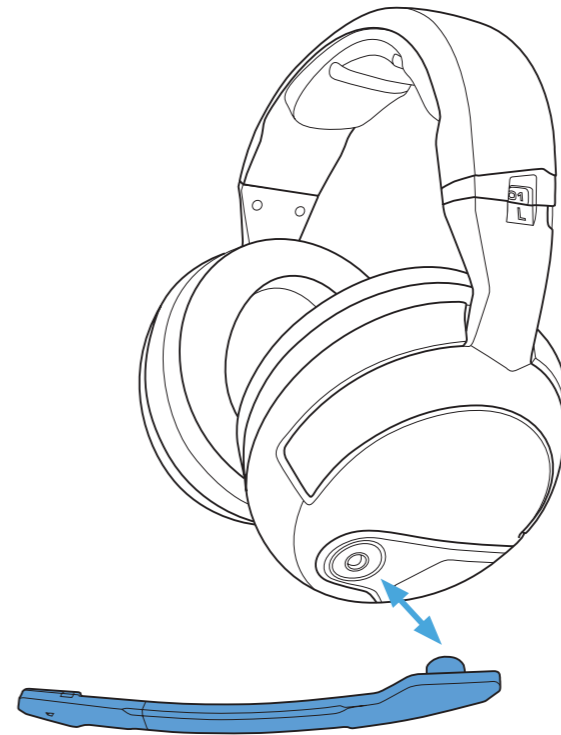


*device driver must be installed for full functionality

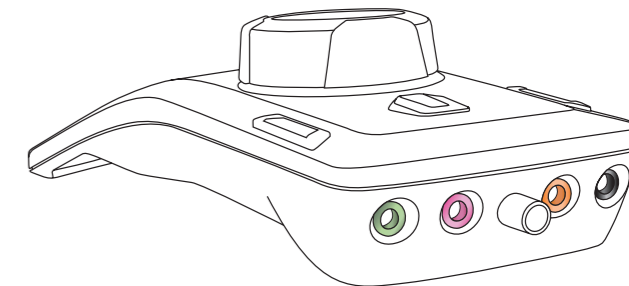
ADJUSTMENT



ATTACH/DETACH MIC



5.1 SPEAKER PORTS



- = Front speakers
- = Microphone
- = Subwoofer/center speaker
- = Rear speakers

EN

PLEASE NOTE: TO ENJOY THE FULL KAVE XTD EXPERIENCE PLEASURE ENSURE THE DRIVER IS INSTALLED.

1. Plug the USB connector into any free USB port on your computer.
2. Insert the installation CD-ROM or download the driver from roccat.org/support.
3. Install the driver.
4. Reboot your computer after the driver installation has completed.

DE

BITTE BEACHTEN: UM DAS KAVE XTD MIT ALLEN FUNKTIONEN NUTZEN ZU KÖNNEN, MUSS DER TREIBER INSTALLIERT SEIN.

1. Stecke den USB-Stecker in einen freien USB-Anschluss deines Computers.
2. Lege die Installations-CD-ROM ein oder lade dir den Treiber von roccat.org/support.
3. Installiere den Treiber.
4. Starte deinen Computer nach der Installation des Treibers neu.

ES

NOTA: PARA DISFRUTAR DE TODA LA EXPERIENCIA QUE OFRECE KAVE XTD ASEGÚRESE DE QUE EL CONTROLADOR ESTÉ INSTALADO.

1. Enchufe el conector USB a cualquier puerto USB libre de su ordenador.
2. Inserte el CD ROM de instalación o descargue el controlador de roccat.org/support.
3. Instale el controlador.
4. Reinicie su ordenador una vez finalizada la instalación del controlador.

JP

注意: KAVE XTD を完全にお楽しみいただくために、ドライバがインストールされていることを確認してください。

1. お使いのコンピュータ上の空き USB ポートに USB コネクタを差し込みます。
2. インストール CD-ROM を挿入するか、roccat.org/support からドライバをダウンロードします。
3. ドライバをインストールします。
4. ドライバのインストールが完了した後、コンピュータを再起動します。

KO

참고 사항: KAVE XTD를 완벽하게 즐기려면 드라이버가 설치되어 있는지 확인하십시오.

1. USB 커넥터를 컴퓨터의 USB 포트에 연결하십시오.
2. 설치 CD-ROM을 삽입하거나 드라이버를 roccat.org/support 에서 다운로드하십시오.
3. 드라이버를 설치하십시오.
4. 드라이버 설치가 완료되면 컴퓨터를 재부팅하십시오.

RU

ДЛЯ ИНФОРМАЦИИ: ДЛЯ ИСПОЛЬЗОВАНИЯ ВСЕХ ВОЗМОЖНОСТЕЙ KAVE XTD НУЖНО УСТАНОВИТЬ ДРАЙВЕР.

1. Вставьте USB-коннектор в свободный USB-порт компьютера.
2. Вставьте установочный компакт-диск в дисковод или загрузите драйвер с roccat.org/support.
3. Запустите драйвер.
4. Перезагрузите компьютер после завершения установки драйвера.

SC

请注意: 要完全体验 KAVE XTD, 请确保已安装驱动程序

1. 将 USB 连接器插入计算机上任何空闲 USB 端口。
2. 插入安装 CD-ROM 或从 roccat.org/support 下载驱动程序。
3. 安装驱动程序。
4. 驱动程序安装完毕后, 重新启动计算机。

TC

请注意: 为了完整体验 KAVE XTD 的效果, 请确保安装驱动程序。

1. 将 USB 连接器插入电脑上任何可用的 USB 连接埠。
2. 插入安装光碟, 或直接在 roccat.org/support 下载驱动程序。
3. 安装驱动程序。
4. 驱动程序安装完毕后, 请重新启动电脑。

TH

โปรดทราบ: เพื่อเพลิดเพลินกับประสบการณ์ KAVE XTD เต็มรูปแบบ กรุณาตรวจสอบว่าได้ติดตั้ง ไดรเวอร์แล้ว

1. เชื่อมขั้วต่อ USB เข้ากับพอร์ต USB ใดๆ ที่ว่างอยู่บนคอมพิวเตอร์ของคุณ
2. สอดแผ่น CD-ROM สำหรับการติดตั้งหรือดาวน์โหลดไดรเวอร์จาก roccat.org/support
3. ติดตั้งไดรเวอร์
4. รีบูตคอมพิวเตอร์ของคุณหลังจากทำการติดตั้งไดรเวอร์เสร็จสมบูรณ์

VN

XIN LUYU Ý: ĐỂ TẬN HƯỞNG TRẢI NGHIỆM KAVE XTD HOÀN CHỈNH, VUI LÒNG ĐAM BẢO DRIVER ĐÃ ĐƯỢC CÀI ĐẶT.

1. Cắm đầu nối USB vào bất kỳ cổng USB trống nào trên máy tính của bạn.
2. Lắp đĩa CD cài đặt driver vào máy hoặc tải driver từ trang web roccat.org/support
3. Cài đặt driver.
4. Khởi động lại máy tính sau khi hoàn tất cài đặt driver.

DE | Konformitätserklärung
Hiermit erklärt die ROCCAT GmbH, dass dieses Produkt konform mit den relevanten Sicherheitsbestimmungen der EU-Richtlinie 1999/5/EC ist. Die komplette Konformitätserklärung können Sie auf unserer Webseite unter www.roccat.org anfordern.

DK | Overensstemmelseserklæring
Hermed erklærer ROCCAT GmbH, at dette produkt er i overensstemmelse med de relevante sikkerhedsbestemmelser i EU-direktivet 1999/5/EC. Den komplette overensstemmelseserklæring kan rekvireres på vores website på www.roccat.org.

EN | Declaration of conformity
ROCCAT GmbH hereby declares that this product conforms to the relevant safety regulations of EU Directive 1999/5/EC. The full Declaration of Conformity can be requested via our website at www.roccat.org.

ES | Declaración de conformidad
Por la presente ROCCAT GmbH declara que este producto ha sido fabricado de conformidad con las disposiciones de seguridad de la directiva de la UE 1999/5/EC. La declaración completa de conformidad puede bajarse de nuestra página web www.roccat.org.

FI | Vaatimustenmukaisuusvakuutus
ROCCAT GmbH vakuuttaa, että tämä tuote on EU-direktiivin 1999/5/EY turvamäärysten mukainen. Vaatimustenmukaisuusvakuutus on kokonaisuudessaan yhtiksemme kotisivulla osoitteessa www.roccat.org.

FR | Déclaration de conformité
La société ROCCAT GmbH déclare que ce produit est conforme aux directives de sécurité afférentes de la directive de l'Union européenne 1999/5/CE. Vous pouvez demander à recevoir la déclaration de conformité complète en allant sur notre site Web à l'adresse www.roccat.org.

CZ | Prohlášení o shod
Firma ROCCAT GmbH tímto prohlašuje, že tento výrobek je v souladu s relevantními bezpečnostními ustanoveními směrnice EU č. 1999/5/EC. Kompletní Prohlášení o konformitě si můžete přečíst na webových stránkách www.roccat.org.

PL | Deklaracja zgodności
ROCCAT GmbH oświadcza niniejszym, że ten produkt jest zgodny z odpowiednimi przepisami bezpieczeństwa dyrektywy 1999/5/WE. Kompletny tekst deklaracji zgodności można uzyskać na naszej stronie internetowej www.roccat.org.

SE | Försäkran om överensstämmelse
ROCCAT GmbH försäkrar att den här produkten uppfyller de relevanta säkerhetskraven i EU-direktiv 1999/5/EC. En fullständig försäkran om överensstämmelse kan beställas på vår webbsida under www.roccat.org.

IT | Dichiarazione di conformità
Con la presente, la ROCCAT GmbH dichiara che il prodotto è conforme alle disposizioni in materia di sicurezza della Direttiva Europea 1999/5/EC. La dichiarazione di conformità completa è reperibile sul nostro sito web all'indirizzo www.roccat.org.

HU | Megfelelősségi nyilatkozat
A ROCCAT GmbH kijelenti, hogy ez a termék megfelel az 1999/5/EC uniós irányelv vonatkozó biztonsági előírásainak. A teljes megfelelésségi nyilatkozatot honlapunkon a www.roccat.org címen igényelheti meg.

NL | Conformiteitsverklaring
Hierbij verklaart ROCCAT GmbH dat dit product voldoet aan de relevante veiligheidsbepalingen van de EU-richtlijn 1999/5/EC. De volledige conformiteitsverklaring kunt u opvragen op onze website www.roccat.org.