



**Gourmia**

MODEL# GCM4500

**COFFEE MAKER  
WITH GRINDER**



**Gourmia**

[www.gourmia.com](http://www.gourmia.com)



© 2016 Gourmia  
www.Gourmia.com  
The Steelstone Group  
Brooklyn, NY

## Welcome to **Delicious** and **Aromatic** world of Coffee Makers from Gourmia!

With the purchase of your Coffee Maker, you'll be able to make all your favorite coffeehouse beverages right in your own kitchen! Your new coffee maker makes coffee and grinds your coffee beans for fresh homemade coffee anytime.

The following pages of this manual offer full and complete instructions for all the functions and features of your Coffee Maker. Inside these pages, you'll find information on and instructions for assembly, operating, cleaning and maintenance of your Coffee Maker. Please read all safety instructions and complete directions carefully for safe usage at all times.

Thank you for your purchase! We hope you will enjoy all the innovative products brought to you by our family at Gourmia.

All rights reserved. No portion of this manual may be reproduced by any means whatsoever without written permission from The Steelstone Group, except for the inclusion of quotations in a media review.

Although every precaution has been taken in the preparation of this manual, The Steelstone Group assumes no responsibility for errors or omissions. Nor is any liability assumed for damages resulting from the use of the information contained herein. Although every effort has been made to ensure that the information contained in this manual is complete and accurate, The Steelstone Group is not engaged in rendering professional advice or services to the individual consumer; further, The Steelstone Group shall not be held responsible for any loss or damage allegedly arising from any information or suggestion in this manual.

10    9    8    7    6    5    4    3    2    1



**SAFETY FIRST** p. 6

**FEATURES & FUNCTIONS** p. 8

**CLEANING & MAINTENANCE** p. 10

**WARRANTY & SERVICE** p. 12

**NOTES** p. 15



# IMPORTANT SAFEGUARDS

When operating this electric appliance, basic safety instructions should always be followed. Refer to the following for these instructions

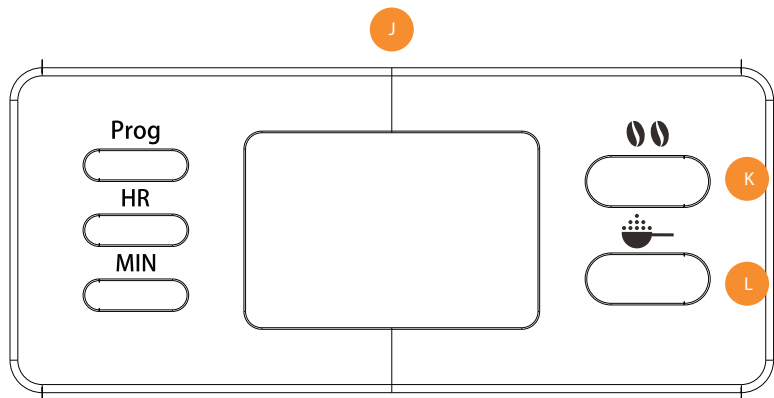
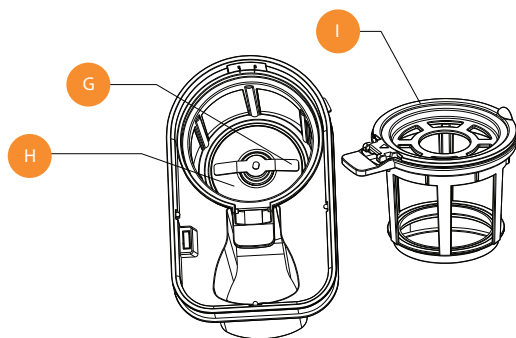
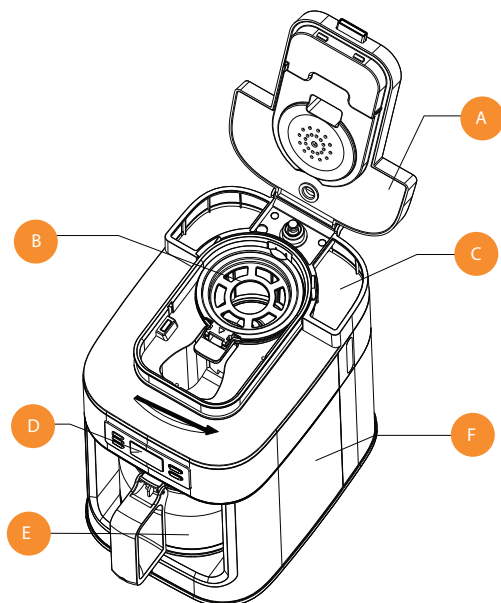
1. READ ALL SAFETY & USAGE INSTRUCTIONS BEFORE USING.
2. Do not use appliance on wet or hot surfaces, or near a heat source.
3. To protect against electric shock, do not immerse any part of appliance, power cord or plug in water or other liquid. Unplug from outlet when not in use and before cleaning.
4. To disconnect, unplug power cord from electrical outlet. Do not disconnect by pulling on cord.
5. Do not operate appliance with a damaged power cord or plug. Do not operate appliance if it malfunctions or is in any way damaged. For details, contact Customer Service.
6. Use appliance only for its intended use.
7. Closely supervise children when using any electrical appliance. Do not allow appliance to be used as a toy.
8. The appliance has a polarized plug (one blade is wider than the other). To reduce risk of electrical shock, this plug is intended to fit in a polarized outlet only one way. If plug does not fit fully in the outlet, reverse plug. If it still does not fit, contact a qualified electrician. Do not modify plug in any way.
9. Caution: A short power cord is provided to reduce risks from entanglement or tripping over a longer cord. An extension cord may be used when marked electrical rating is no less than electrical rating of this appliance. All cords should not drape over counter or tabletop where cords can be tripped over or pulled on unintentionally, especially by children.
10. Do not place on or near a hot gas or electric burner, or heated oven. Extreme caution must be used when moving products containing hot liquids.
11. Only use fresh (potable) and cold (moderate) water. Do not use water contained in bathtubs, wash basins or other recipients.
12. Never touch the hot parts of the appliance (be careful, also the warming plate is a hot part!), only touch the plastic parts and pot by the handle.
13. Be careful not to get burned by the steam evaporating from the coffee filter.
14. Never use the appliance if the pot shows any signs of cracks. Only use the pot with this appliance.
15. Handle with care as the glass is very fragile.

16. Never use your coffee machine without water in it if you have a programmable coffee machine, make sure to fill it with water before programming it.
17. Never place the empty (or almost empty) coffeepot on the hotplate when the coffee machine is running, or on any other hot surfaces.

## SAVE THESE INSTRUCTIONS FOR HOUSEHOLD USE ONLY

**WARNING: This product contains a chemical known to the State of California to cause cancer.**

**WARNING: This product contains a chemical known to the State of California to cause birth defects or other reproductive harm.**



- A. Lid
- B. Funnel Arm
- C. Water Tank
- D. LCD Display
- E. Carafe
- F. Main Body
- G. Blades
- H. Coffee Bean Container
- I. Filter
- J. Control Panel
- K. Grinding Button
- L. Brew Button

**How to brew coffee with coffee beans:**

1. Plug into outlet, open the lid and fill with water between the "MIN" and "MAX" level.

Note: Do not fill above the "MAX" level.

2. Pour coffee beans into the coffee bean container, then close the lid.

Note: The max capacity of the container is about 2.1 oz. Do not overfill with coffee beans above the "MAX" level.

3. Press the grinding button once to grind beans. After grinding, the coffeemaker will brew automatically.

4. After brewing, the machine will keep the coffee warm for about 30 minutes.

**How to set up the time to automatically brew coffee with coffee beans:**

1. Plug into outlet, open the lid and fill with water between the "MIN" and "MAX" level.

2. Pour coffee beans into the coffee bean container, then close the lid.

3. Press the grinding button twice, the button indicator light will start flashing.

4. Press "Prog" button one time, the LED displays "CLOCK" at the top right corner with the current time. You can set the current by pressing the "HR" and "MIN" button.

5. After setting current time, press the "Prog" button again, the LED displays "TIMER" at the top left corner. Press "HR" and "MIN" button to set the automatic timer.

6. After setting the timer, press "Prog" button. The grinding button will flash. When the automatic timer activates, the grinding and brewing process will begin automatically.

## FEATURES AND FUNCTIONS

### How to brew coffee with ground coffee:

1. Plug into outlet, open the lid and fill with water between the "MIN" and "MAX" level.

Note: Do not overfill with ground coffee.

2. Pour ground coffee into the coffee bean container, then close the lid.

Note: The max capacity of the container is about 2.1 oz. Do not overfill with coffee above the "MAX" level.

3. Press the coffee button once, the indicator light will turn on. The coffeemaker will brew automatically.
4. After brewing, the machine will keep the coffee warm for about 30 minutes.

### How to set up the time to automatically brew coffee with ground coffee:

1. Plug into outlet, open the lid and fill with water between the "MIN" and "MAX" level.
2. Pour ground coffee into the coffee bean container, then close the lid.
3. Press the coffee button twice, the indicator light will start flashing.
4. Press "Prog" button one time, the LED displays "CLOCK" at the top right corner with the current time. You can set the current by pressing the "HR" and "MIN" button.
5. After setting current time, press the "Prog" button again, the LED displays "TIMER" at the top left corner. Press "HR" and "MIN" button to set the automatic timer.
6. After setting the timer, press "Prog" button. The coffee button will flash. When the automatic timer activates, the brewing process will begin automatically.

**Warning:** Do not open the lid when the coffeemaker is brewing. If you open the lid, the coffeemaker will automatically stop.

## CLEANING THE COFFEEMAKER

Remove the plug from the power before cleaning. Take out the silicone ring. Never immerse the coffeemaker or power base into water.

1. THE POT: Clean immediately after each use. Flush and clean the inner walls with warm soapy water and a non-abrasive cloth. Then wipe dry with a soft cloth.
2. THE LID: Separate the lid and the silicon ring. Wash with warm soapy water.
3. THE BODY: Clean with a soft cloth. Never use sharp cleaning agents, hard nylon brush or metal brush to avoid scratches on the stainless steel surface! Never clean with metal objects and never use abrasives.
7. Use sponge or non metal soft brush to clean the inside and outside of the coffeemaker, then wipe dry with a soft cloth.
8. When cleaning the coffeemaker, never immerse it in water. There are electronic components in the body that will be damaged.
9. NOT dishwasher safe.

## WARRANTY & SERVICE

---

This Limited Warranty is for one full year from the date of purchase. It is applicable to the original purchaser only and is not transferable to a third party user. Repair or replacement of defective parts is solely at the seller's discretion. In the event that repair isn't possible, the seller will replace the product/part. If product repair/replacement won't suffice, the seller has the option of refunding the cash value of the product or component returned.

Product defects not covered under the Warranty provisions include normal wear and damage incurred from use or accidental negligence, misuse of instruction specifications or repair by unauthorized parties. The manufacturing company is not liable for any incidental or consequential damages incurred by such circumstances.

For Customer Service or Questions, Please call: 888-552-0033

**Gourmia**  
www.gourmia.com


## DISPOSAL OF THE DEVICE PROTECTION OF THE ENVIRONMENT



At the end of the life of your product, it should go to a specially adapted waste-recycling center.

## ENVIRONMENT PROTECTION FIRST



1. The symbol  on the product or on its packaging indicates that this product may not be treated as household waste. Instead it should be handed over to the applicable. Collection point for the recycling of electrical and electronic equipment.
2. By ensuring this product is disposed of correctly, you will help prevent potential negative consequences for the environment and human health, which could otherwise be caused by inappropriate waste handling of this product. For more detailed information about the recycling of this product, Please contact your local council office or your household waste disposal service.



## NOTES

---