

# Cuisinart®

Outdoor Grilling Products

## PORTABLE LP GAS GRILL

MODEL: CGG-200

### ASSEMBLY AND OPERATING INSTRUCTIONS



#### **⚠ WARNING: FOR OUTDOOR USE ONLY**

- ⚠ This instruction manual contains important information necessary for the proper assembly and safe use of the appliance
- ⚠ Read and follow all warnings and instructions before assembling and using the appliance
- ⚠ Follow all warnings and instructions when using the appliance
- ⚠ Keep this manual for future reference

**Note to installer:** Leave this Owner's Manual with the consumer after delivery and/or installation.

**Note to customer:** Leave this Owner's Manual in a convenient place for future reference.

#### **⚠ DANGER**

1. Do not store or use gasoline or other flammable liquids or vapors in the vicinity of this or any other appliance.
2. An LP cylinder not connected for use shall not be stored in the vicinity of this or any other appliance.

#### **⚠ DANGER**

If you smell gas:

1. Shut off gas to the appliance.
2. Extinguish any open flame.
3. Open lid.
4. If odor continues, keep away from the appliance and immediately call your fire department.



#### **⚠ DANGER**

Failure to follow these instructions could result in fire, explosion or burn hazard, which could cause property damage, personal injury or death.

#### **⚠ DANGER**

1. Never operate this appliance unattended.
2. Never operate this appliance within 10 feet (3.05m) of any other gas cylinder.
3. Never operate this appliance with 25 feet (7.5m) of any flammable liquid.
4. If a fire should occur, keep away from the appliance and immediately call your fire department . Do not attempt to extinguish an oil or grease fire with water.
5. Heated liquids remain at scalding temperatures long after the cooking process. Never touch cooking appliance until liquids have cooled to 115oF (45°C) or less.

#### **⚠ DANGER**

Failure to follow these instructions could result in fire, explosion or burn hazard, which could cause property damage, personal injury or death.

## Table of Contents

<b>1. Warnings and Safety Instructions</b>	<b>3</b>
<b>2. Illustrated Parts List</b>	<b>4</b>
<b>3. Exploded View</b>	<b>5</b>
<b>4. Assembly Instructions</b>	<b>6</b>
<b>5. Operating Your Grill</b>	
5.1 Select a proper location	8
5.2 Special Instructions for the use of regulator and cylinder	8
5.3 Installing the LP gas cylinder	9
5.4 Checking for gas leak	9
5.5 Lighting instructions	10
5.6 Match lighting	10
5.7 Using the grill	10
<b>6. Care and Maintenance</b>	<b>11</b>
<b>7. Warranty Program and Replacement Parts</b>	<b>12</b>

## 1. Warnings and Safety Instructions

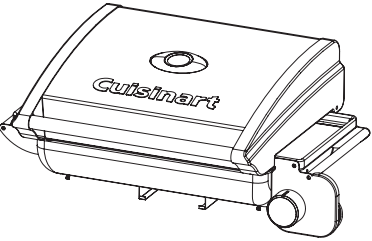
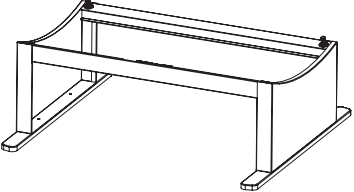
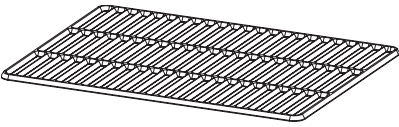
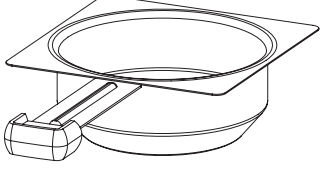
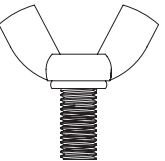



If these instructions are ignored, there is a possibility of a hazardous fire or explosion which could result in physical injury or property damage! It is your responsibility to assemble, operate and maintain your gas grill properly.

### READ ALL WARNINGS AND INSTRUCTIONS PRIOR TO ASSEMBLING AND OPERATING YOUR GRILL

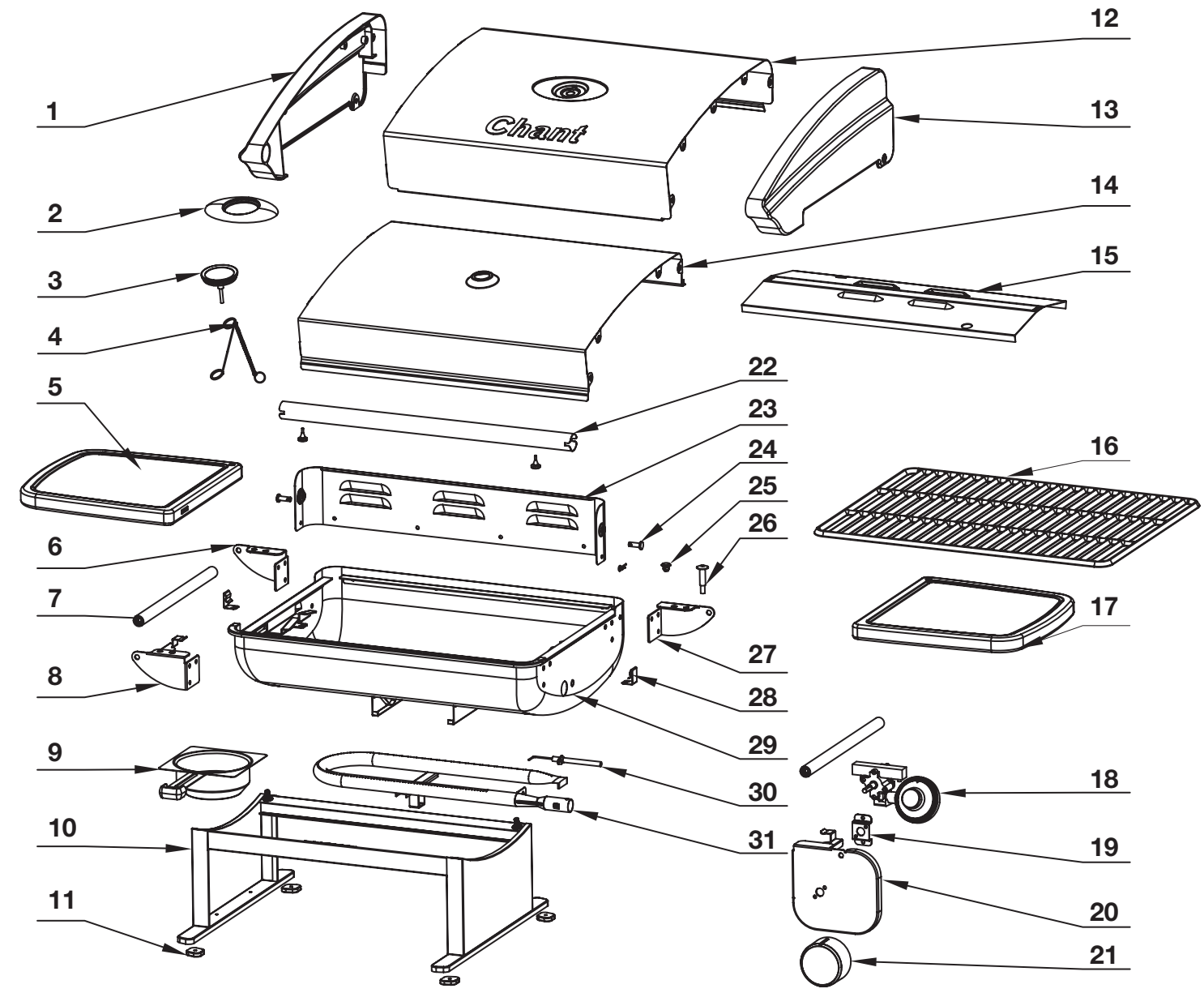
#### WARNINGS:

- ⚠ This grill is for outdoor use only. It should NOT be used in a building, garage or any other enclosed area.
- ⚠ The use of alcohol, prescription or non-prescription drugs may impair an individual's ability to properly assemble or safely operate this appliance.
- ⚠ Do not leave the grill unattended.
- ⚠ Keep children and pets away from the grill all the times.
- ⚠ Do not use the grill in high wind.
- ⚠ This grill must be used with propane gas only. Liquid propane is not natural gas. The conversion or attempted use of natural gas in a liquid propane grill is dangerous and will void your warranty.
- ⚠ Do not attempt to attach this grill to the self-contained propane system of a camper, trailer, motor home or house.
- ⚠ Do not use charcoal or lighter fluid.
- ⚠ Do not use gasoline, kerosene or alcohol for lighting. The LP-gas cylinder must be constructed and marked in accordance with the specifications for propane gas cylinder of the U.S. Department of Transportation (DOT).
- ⚠ Do not move appliance when in use. Allow the grill to cool to 115° (45) before moving or storing.
- ⚠ Do not use the grill unless it is COMPLETELY assembled and all parts are securely fastened and tightened. If there are any missing or damaged parts, contact customer service for a replacement.
- ⚠ Do not alter the grill in any manner.
- ⚠ Do not operate the grill if there is gas leak present.
- ⚠ The use and installation of this product must conform to local codes. In the absence of local codes, use the National Fuel Gas Code: ANSI.NFPA 58 or Natural Gas and Propane Installation Code, CSA B149.1; Propane Storage and Handling, CSA B149.2. Natural Gas and Propane Installation Code.
- ⚠ This appliance is not intended to be installed in or on a boat or recreational vehicle.
- ⚠ Locate the grill away from any combustible or non-combustible materials or construction by at least 24 inches (61cm) from the back and sides.
- ⚠ The appliance shall not be located used under overhead unprotected combustible construction.
- ⚠ This appliance is not intended for and should never be used as a heater.
- ⚠ This appliance will be hot during and after use. Use insulated oven mitts or gloves for protection from hot surfaces or splatter from cooking liquids.
- ⚠ This appliance is not intended for commercial use.
- ⚠ The pressure regulator supplied with the Cuisinart Gas Grill must be used.

## 2. Illustrated Parts List

<b>A.</b>		<b>Lid &amp; Firebox</b>	<b>1 pc</b>
<b>B.</b>		<b>Grill Leg Assembly</b>	<b>1 pc</b>
<b>C.</b>		<b>Cooking Grate</b>	<b>1 pc</b>
<b>D.</b>		<b>Drip Tray</b>	<b>1 pc</b>
<b>E.</b>		<b>Screw M6x12</b>	<b>2 pcs</b>
<b>F.</b>		<b>Black Washer M6</b>	<b>6 pcs</b>
<b>G.</b>		<b>Nut M6</b>	<b>2 pcs</b>
<b>H.</b>		<b>White Adhesive Washer M6 (Doubled sided tape)</b>	<b>2 pc</b>

## 3. Exploded View



<b>1</b>	<b>Lid side panel - left</b>	<b>11</b>	<b>Rubber Feet</b>	<b>21</b>	<b>Control knob</b>
<b>2</b>	<b>Thermometer's bezel</b>	<b>12</b>	<b>Lid panel - Front</b>	<b>22</b>	<b>Lid handle</b>
<b>3</b>	<b>Thermometer</b>	<b>13</b>	<b>Lid side panel - Right</b>	<b>23</b>	<b>Lid support panel</b>
<b>4</b>	<b>Match Holder</b>	<b>14</b>	<b>Lid side panel - Inner</b>	<b>24</b>	<b>Pin</b>
<b>5</b>	<b>Side Shelf - left</b>	<b>15</b>	<b>Flame tamer</b>	<b>25</b>	<b>Bushing</b>
<b>6</b>	<b>Rear support bracket - left</b>	<b>16</b>	<b>Cooking grate</b>	<b>26</b>	<b>Side shelf screw</b>
<b>7</b>	<b>Carrying handles</b>	<b>17</b>	<b>Side Shelf - Right</b>	<b>27</b>	<b>Rear support bracket - right</b>
<b>8</b>	<b>Front support bracket - left</b>	<b>18</b>	<b>Regulator and gas valve assembly</b>	<b>28</b>	<b>Flame tamer lock</b>
<b>9</b>	<b>Drip tray</b>	<b>19</b>	<b>Gas valve support bracket</b>	<b>29</b>	<b>Fire Box</b>
<b>10</b>	<b>Leg assembly</b>	<b>20</b>	<b>Control Panel</b>	<b>30</b>	<b>Electrode</b>
				<b>31</b>	<b>Burner</b>

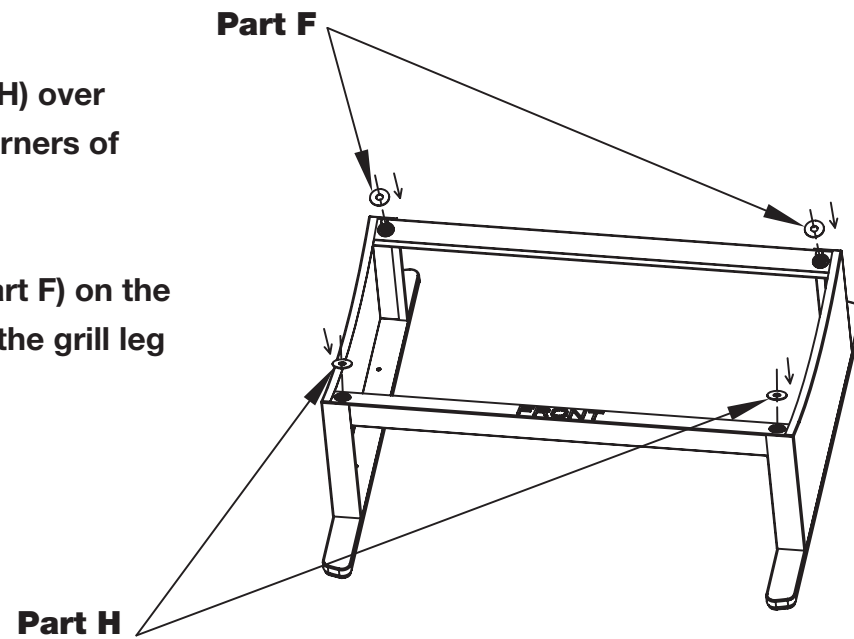
## 4. Assembly Instructions

Remove all the contents from packaging, and make sure all parts are present before attempting to assemble! Part numbers reference the table on page 4.

### Step 1:

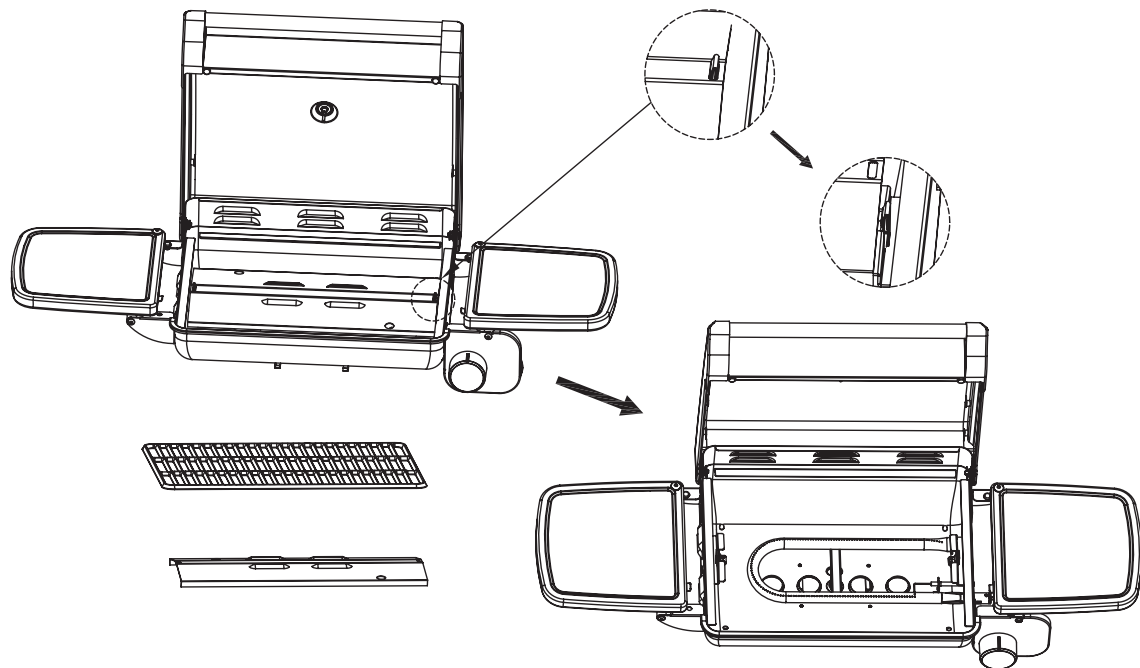
White Adhesive washer M6 (Part H) over the two bolt holes on the front corners of the grill leg assembly (Part B).

Next, attach black washer M6 (Part F) on the bolt posts on the rear corners of the grill leg assembly (Part B).



### Step 2:

Remove cooking grate and flame tamer



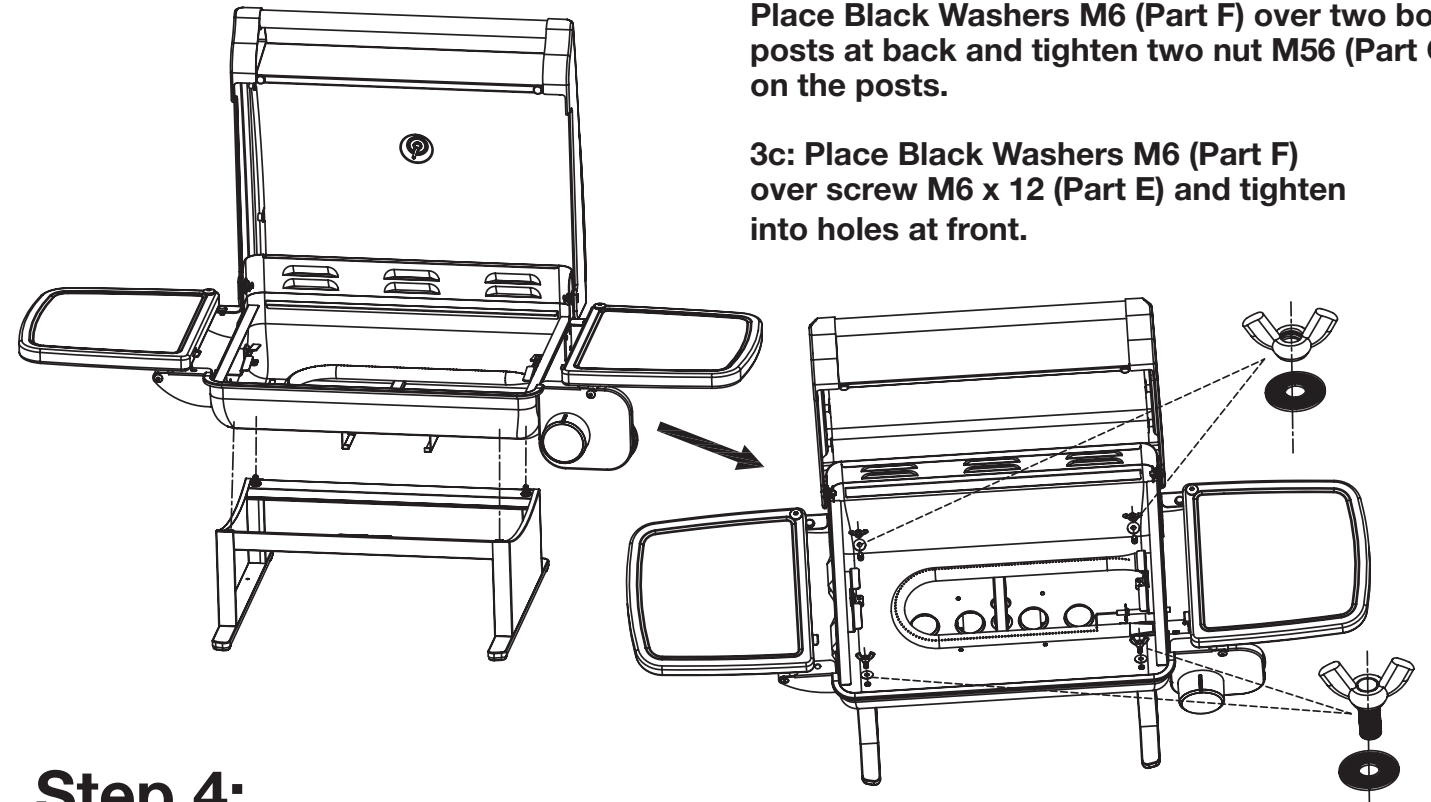
### Step 3a:

Attach the Grill Leg Assembly (Part B) to the bottom of the Lid & Fire Box (Part A) assembly

### Step 3b:

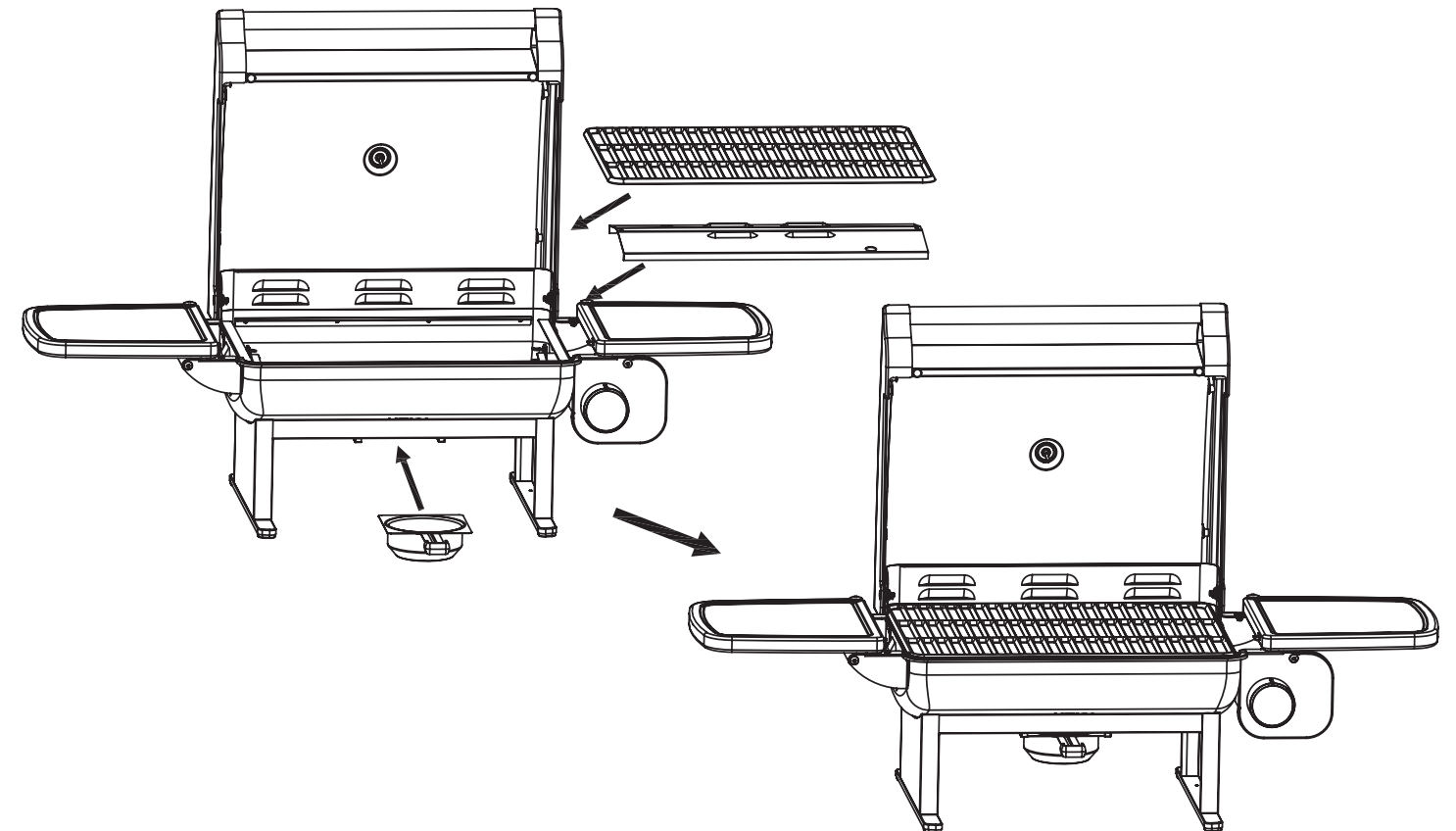
Place Black Washers M6 (Part F) over two bolt posts at back and tighten two nut M56 (Part G) on the posts.

3c: Place Black Washers M6 (Part F) over screw M6 x 12 (Part E) and tighten into holes at front.



### Step 4:

Put the Flame Tamer, Cooking Grate and Drip Tray on the grill.



## 5. Operating Your Grill

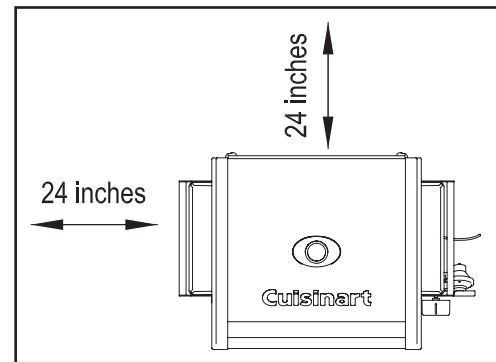
### 5.1 Select a Proper Location

Once you have assembled your new grill, find a suitable location for use.

Note: The use of installation of this product must conform to local codes. In absence of local codes, use the National Fuel Gas Code: ANSI Z223.1/NFPA54, Storage and Handling of Liquefied Petroleum Gases, ANSI.NFPA 58 or Natural Gas and Propane Installation Code, CSA B149.1; Propane Storage and Handling, CSA B149.2.

#### **⚠ DANGER**

1. Never use this outdoor grill inside any building, garage, shed or breezeway, or inside any boat, trailer or recreational vehicle and/or boat, to prevent possible fire and to prevent the possibility of carbon monoxide poisoning or asphyxiation.
2. Always place your grill on a hard and level surface far away from combustible materials and structures.
3. Do not use this grill under an overhead combustible surface or covered area ( e.g., awnings, umbrellas, porches or gazebos ). Keep all combustible surfaces at least 24" (61cm) away.
4. Locate the grill away from any combustible and non-combustible material or construction by at least 24 inches (61cm) from back and 24 inches (61cm) from side.(See the diagram below)
5. Never store or use gasoline or other flammable or volatile substances in the vicinity of this grill or in the vicinity of any other heat-generating appliance, because of the danger of starting a fire.
6. The cylinder be disconnected when the appliance is not in use.



### 5.2 Special Instructions for the Use of Regulator and Propane Cylinder

A propane gas cylinder is required for operation. Use a 14.1 oz. or 16.4 oz.

- This Cuisinart grill is equipped with a regulator having a CGA No.600 cylinder connection device for connecting to a 14.1 oz. or 16.4 oz. Only cylinders marked "PROPANE" must be used.
- The propane cylinder must be constructed and marked in accordance with the specification for LP-Gas cylinders of the U.S Department of Transportation (D.O.T) or the National standard of Canada, CAN/CSA-B339,Cylinders, Spheres and Tubes for Transportation of Dangerous Goods.
- Store spare fuel canisters in a well-ventilated area away from the grill.
- Do not puncture or burn fuel canister.
- If the grill is not in use, the control knob must be turned to the "OFF" position to shut off the gas flow from the cylinder.
- Do not store a spare propane cylinder under or near this grill. Never fill the cylinder beyond 80 percent full. If this instruction is not followed exactly, a fire causing death or serious injury may occur.
- Save the cylinder cap and reinstall when not in use.
- Cylinder supply system must be arranged for vapor withdrawal. Do not block the pressure relief valve during use or storage.
- Always remove LP-gas cylinder from grill when transporting and when not in use.

### 5.3 Installing the Gas Cylinder

(The propane gas cylinder is not provided with the appliance.)

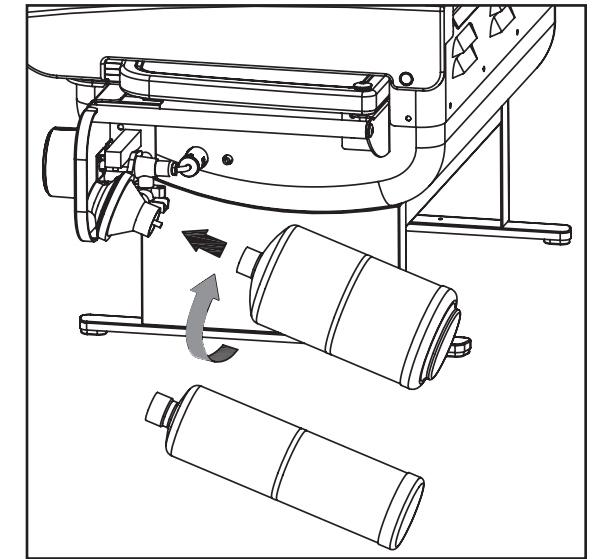
A gas cylinder complying with the requirements listed in section 5.2 must be obtained before the grill can operate. Connect the LP cylinder to the grill outdoors only.

Read and follow all direction on the cylinder.

1. Turn the burner control knob to "OFF" position.
2. Remove the protective caps from the cylinder valve and coupling nut, if present.
3. Open grill lid and fold right-hand grill shelf over onto grill grate
4. Grasp the grill handle nearest to the regulator with one hand, and with the other hand push the cylinder into the threaded regulator connector and turn clockwise until tight.
5. TIGHTEN BY HAND ONLY. Do not use tools.

#### Removal Of The Gas Cylinder

1. Turn the burner control knob to "OFF" position.
2. Grasp the grill handle nearest to the regulator with one hand, and turn the cylinder counterclockwise until it comes off.



### 5.4 Checking for Gas Leak

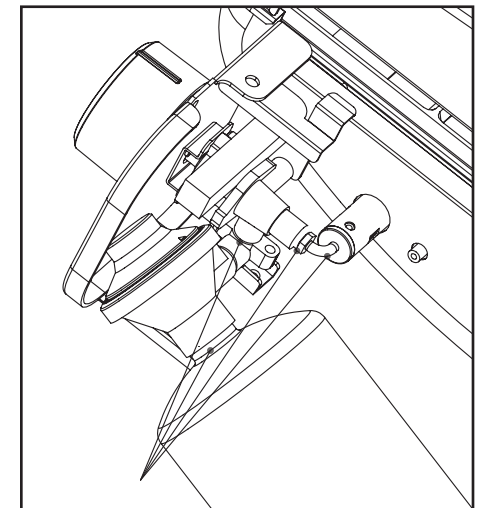
#### **⚠ DANGER**

#### Check gas system for leaks to prevent fire or explosion hazard

1. The "Leak Check" must be performed before lighting the grill and each time the cylinder is connected for use.
2. Do not smoke or allow other sources of ignition in the area while conducting a leak test.
3. Conduct the leak test outdoors in a well-ventilated area.
4. Do not use matches, lighters or a flame to check for leaks.
5. Do not use grill until all leaks have been stopped. If you are unable to stop a leak, disconnect the propane supply, and call for gas application service or your local propane gas supplier.

#### Leak Check Method

1. Make 2-3 oz. of leak solution by mixing one part liquid dishwashing soap with three parts water.
2. Make sure control knob is in the "OFF" position.
3. Spray or paint some leak solution on the cylinder and regulator connection.
4. Inspect the solution at the connections, looking for bubbles. If no bubbles appear, the connection is secure.
5. If bubbles appear, a leak is detected. Go to step 6.
6. Disconnect the cylinder from the regulator, and reconnect. Make sure the connection is secure and no leak is found before using the grill.
7. If you continue to see bubbles, **DO NOT USE THE GRILL.** Repeat the above process with a different LP cylinder. If leaks are still present, contact the customer service center.

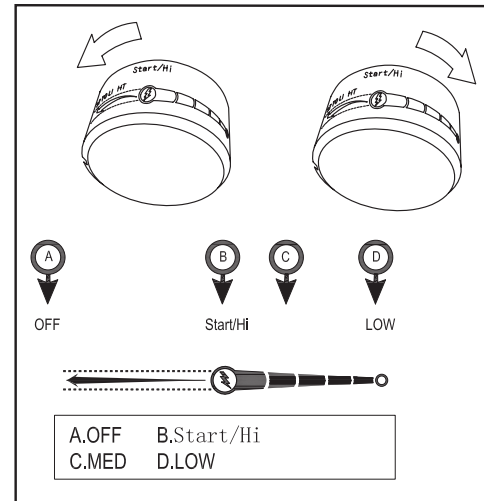


## 5.5 Lighting Instructions

1. Read all instructions before lighting.
2. Open lid during lighting.
3. Make sure the gas control knob is in "OFF" position.
4. Unfold side tables into the open position.
5. Push the gas control knob and quickly turn counterclockwise to "HIGH" position. The igniter will click and light the burner.
6. If ignition does not occur in 5 seconds, turn the gas control knob off, wait 5 minutes, and repeat steps 2 - 5.\* Before cooking on this grill for the first time, operate the grill for about 15 minutes with the lid closed and the gas turned on "HIGH". This will "heat clean" the internal parts and dissipate odor from the painted finish.

\*Clean your grill after each use. See Section 6.3 for instructions

\*If the burner does not light, turn the gas control knob off and wait 5 minutes to let the gas clear before you try again.



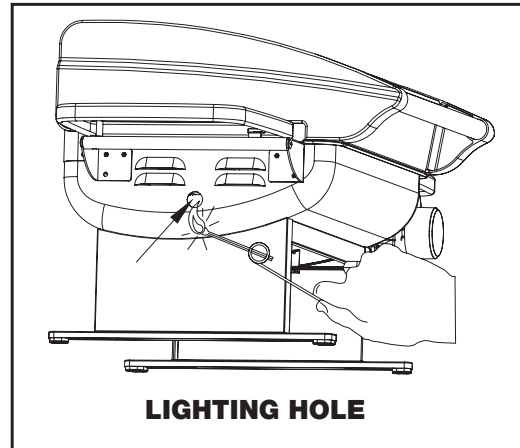
## 5.6 Match lighting

### IMPORTANT!

A match lighting hole is located on the left side of the firebox.

#### Match lighting instructions:

1. Read all instructions before lighting.
2. Open lid during lighting.
3. Make sure the gas control knob is in "OFF" position.
4. Unfold side tables into the open position.
5. Strike a long wooden match and position the burning match through the match lighting hole in the left side of the firebox. Place the flame near the bottom edge of the burner.
6. Push down and turn the burner control knob counterclockwise to the high setting.
7. The burner should light. The flame will carry around the burner. Allow grill to pre-heat with the grill lid closed for 2-3 minutes before cooking.

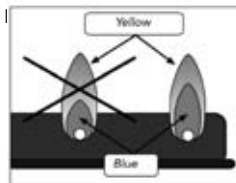


### CAUTION:

Do not touch any hot grill parts. The outside of the grill bottom especially becomes very hot during use. Use protective gloves to handle any parts that might become hot during use.

## 5.7 Using the Grill

Inspect the burner flame by looking through the

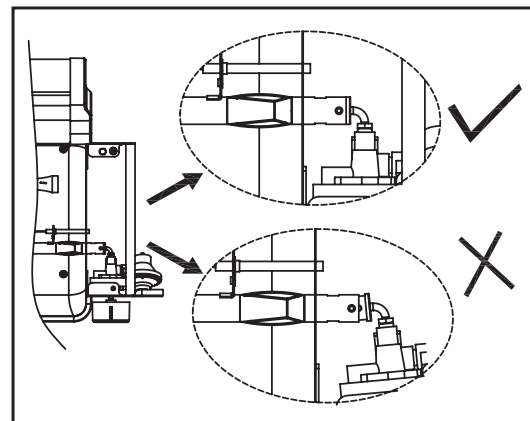


A good flame should be blue with some yellow tips coming from the burner holes. Yellow tips on flames up to 1/4" in height are acceptable as long as no carbon or soot deposits appear.

During operation, stand to the side of grill when opening the grill lid.

Do not expose any part of your body directly above the cooking area.

The burner opening must be positioned properly over the valve orifices.



## 6. Care And Maintenance

### 6.1 Care

Regular care of your grill will help keep it operating properly. All maintenance should be done only when the grill is cool and with the fuel supply turned off. Occasionally inspect and tighten hardware that may become loose.

### 6.2 Cleaning The Venturi Tube

A spider's nest or wasp's mud inside the Venturi Tube can block gas flow and can even cause a fire at the gas control valve. Such a fire can cause operator injury and serious damage to your grill.

To prevent insect related problems, inspect the Venturi Tube screen cover regularly and remove any dirt.

### WARNING!

Do not disassemble or alter the fuel supply system. Improper assembly can result in a hazardous condition. Seek qualified professional assistance if repairs are required.

### 6.3 Cleaning And Maintenance

- **WARNING: Do not clean any grill surface while grill is operating. Let grill cool to a safe temperature prior to cleaning.**
- Disconnect the fuel supply and remove the fuel supply cylinder prior to cleaning.
- Cleaning should be done where detergent won't harm work surface or lawn.

#### Exterior Cleaning

- Clean grill exterior surfaces with warm soapy water. Stainless steel lid panel and side shelves can be cleaned with commercial stainless steel cleaner.
- Wash drip tray in warm soapy water – do not run through dishwasher.

#### Interior Cleaning

- Cooking grate can be cleaned with a grill brush. For best results, cooking grate should be warm (warm, not hot – never brush with grill operating, or when interior is very hot). If desired, cool cooking grate can be removed from grill and cleaned with warm soapy water.
  - Should you wish to remove accumulated debris from the bottom of the fire box, proceed as follows:
    - Let grill cool completely
    - Remove cooking grate and set aside
    - Remove screw securing flame tamer; remove flame tamer and set aside !CAUTION Flame tamer edges and surface are sharp – use care when handling
    - Carefully scrape and remove debris from bottom of firebox using care not to touch burner element, igniter, or igniter wire.
- WARNING: DO NOT APPLY ANY CLEANERS OR LIQUIDS TO BURNER ELEMENT OR ATTEMPT TO CLEAN IN ANY WAY.**
- **DO NOT USE WATER OR LIQUIDS TO CLEAN GRILL INTERIOR**
  - Replace flame tamer and securing screw. **CAUTION: DO NOT OPERATE GRILL WITHOUT FLAME TAMER IN PLACE.**

## 7. Warranty and Replacement Parts

This warranty covers defects in parts and workmanship for a period of 3 years from the original purchase date. Any damage claim regarding the enameling must be submitted within 30 days of purchase to be covered by the warranty.

**The following conditions are NOT covered by this warranty:**

- Unevenness and color variations in the enamel coating.
- Damage caused by improper assembly or disregard of the manual.
- Use of spare parts not supplied by manufacturer.
- Damage resulting from modifications or inappropriate use.
- Abuse of the grill
- Damage caused by improper maintenance or repairs by an unauthorized person.

**Limitations and exclusions:**

1. This warranty applies only to the original purchaser and may not be transferred.
2. If you can not verify the purchase date of the grill the warranty period will begin on the date the grill was manufactured.
3. Replacement or repair parts are warranted for the remaining period of the original part warranty.

**Your obligations:**

This grill must be assembled, installed, operated and maintained in accordance with all applicable codes and the instruction manual furnished with this grill. You must keep an invoice, cancelled check or payment record to verify the purchase date of the grill.

**For troubleshooting, FAQs or customer service, visit us at [www.thefulhamgroup.com/CGG-200](http://www.thefulhamgroup.com/CGG-200) or contact us at 1-866-994-6390**

**To order replacement parts or additional Cuisinart Grilling products, visit us at [www.cuisinart.com](http://www.cuisinart.com) or call 1-800-211-9604**

**Model#CGG-200**

**North American Distributor:**

**The Fulham Group**

**Newton, MA 02466**