

READ BEFORE USE
LIRE AVANT UTILISATION
LEA ANTES DE USAR

Visit www.hamiltonbeach.com for our complete line of products and Use and Care Guides – as well as delicious recipes, tips, and to register your product online!

Rendez-vous sur www.hamiltonbeach.ca pour notre liste complète de produits et de nos manuels Utilisateur – ainsi que nos délicieuses recettes, nos conseils et pour enregistrer votre produit en ligne !

¡Visite www.hamiltonbeach.com.mx para obtener nuestra línea completa de productos y las Guías de Uso y Cuidado, además de deliciosas recetas, consejos y para registrar su producto en línea!

Questions?

Please call us – our friendly associates are ready to help.
USA: 1.800.851.8900

Questions ?

N'hésitez pas à nous appeler – nos associés s'empresseront de vous aider.
CAN : 1.800.267.2826

¿Preguntas?

Por favor llámenos – nuestros amables representantes están listos para ayudar.
MEX: 01 800 71 16 100

Le invitamos a leer cuidadosamente este instructivo antes de usar su aparato.



Hamilton Beach®

The Scoop™ Single-Serve Coffeemaker

Cafetière 1 tasse Scoop^{MC}

Cafetera para Servicio Individual Scoop™

English 2
Français 13
Español 23

IMPORTANT SAFEGUARDS

When using electrical appliances, basic safety precautions should always be followed to reduce the risk of fire, electric shock, and/or injury to persons, including the following:

1. Read all instructions.
2. Do not touch hot surfaces. Use handles or knobs. Care must be taken, as burns can occur from touching hot parts or from spilled, hot liquid.
3. To protect against electric shock, do not place cord, plug, or coffeemaker in water or other liquid.
4. Close supervision is necessary when any appliance is used by or near children.
5. Unplug from outlet when the coffeemaker is not in use and before cleaning. Allow to cool before putting on or taking off parts and before cleaning the appliance.
6. Coffeemaker must be operated on a flat surface away from the edge of counter to prevent accidental tipping.
7. Do not operate any appliance with a damaged cord or plug, or after the appliance malfunctions or has been damaged in any manner. Call our toll-free customer service number for information on examination, repair, or adjustment.
8. The use of accessory attachments not recommended by the appliance manufacturer may cause injuries.
9. Do not use outdoors.
10. Do not let cord hang over edge of table or counter or touch hot surfaces, including stove.
11. Do not place on or near a hot gas or electric burner, or in a heated oven.
12. Do not use appliance for other than intended use.
13. **WARNING:** To reduce the risk of fire or electric shock, do not remove the bottom cover of the coffeemaker. There are no user-serviceable parts inside. Repair should be done by authorized service personnel only.
14. To disconnect, turn any control to the OFF (O) position and then remove plug from wall outlet.

SAVE THESE INSTRUCTIONS!

OTHER CONSUMER SAFETY INFORMATION

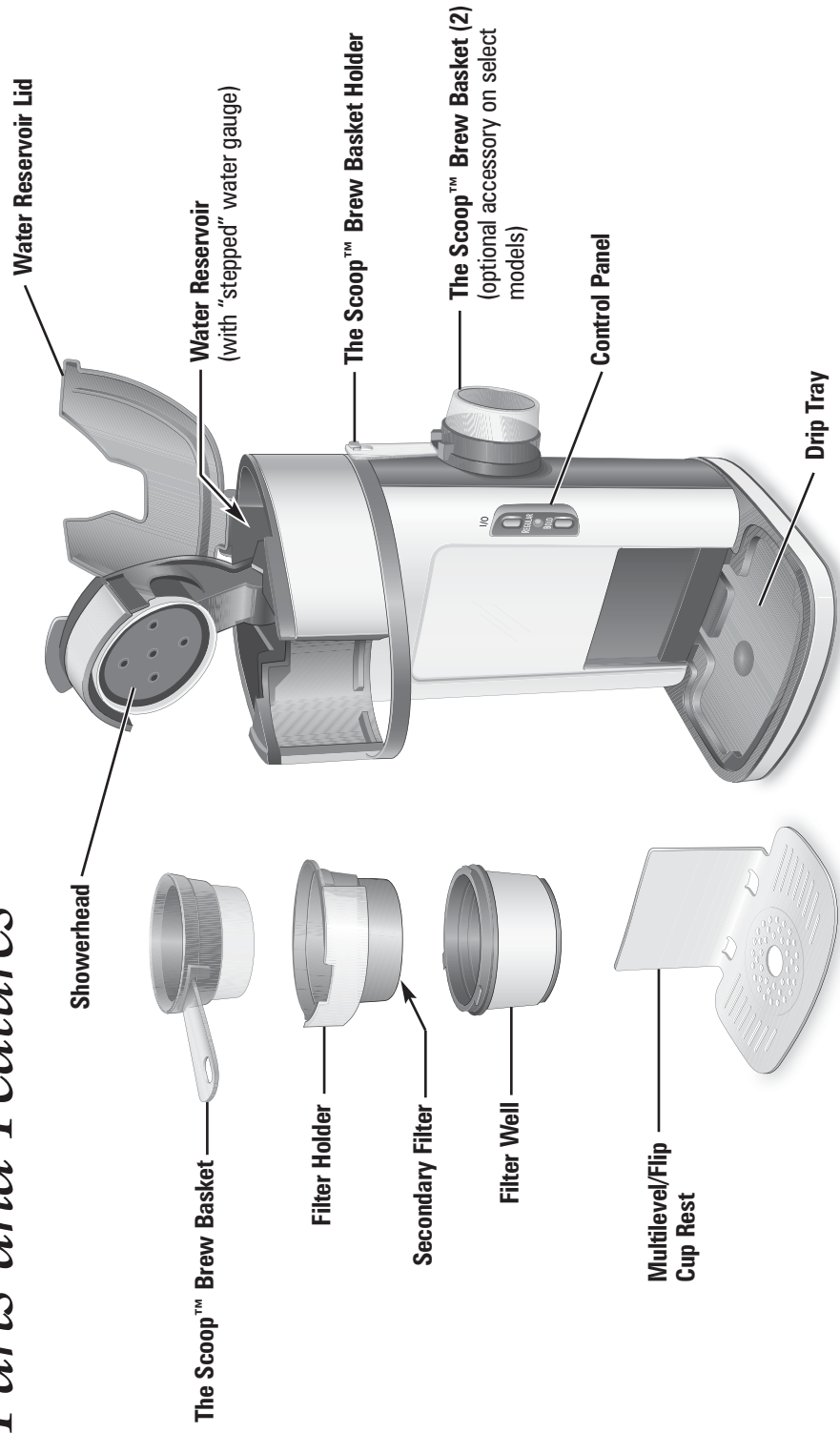
This appliance is intended for household use only.

WARNING! Shock Hazard: This appliance has a polarized plug (one wide blade) that reduces the risk of electric shock. The plug fits only one way into a polarized outlet. Do not defeat the safety purpose of the plug by modifying the plug in any way or by using an adapter. If the plug does not fit fully into the outlet, reverse the plug. If it still does not fit, have an electrician replace the outlet.

The length of the cord used on this appliance was selected to reduce the hazards of becoming tangled in or tripping over a longer cord. If a longer cord is necessary, an approved extension cord may be used. The electrical rating of the extension cord must be equal to or greater than the rating of the appliance. Care must be taken to arrange the extension cord so that it will not drape over the countertop or tabletop where it can be pulled on by children or accidentally tripped over.

To avoid an electrical circuit overload, do not use another high-wattage appliance on the same circuit with this appliance.

Parts and Features



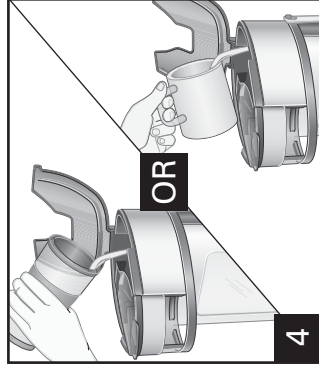
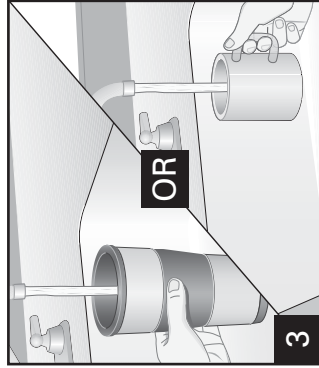
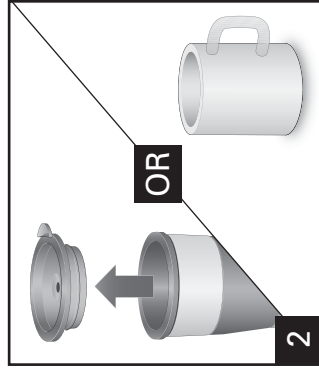
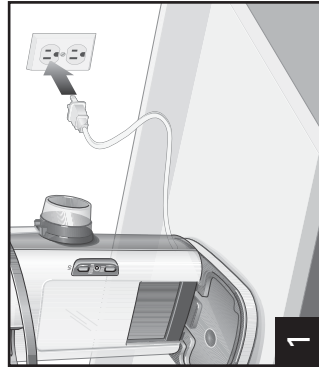
Before First Use

- ⚠ WARNING Burn Hazard.**
To avoid contact with hot water:
 - Do not use more than 14 ounces (410 ml) of water.

- Fill reservoir with mug or cup into which the water will be brewed.
- Fully insert mug or cup under filter basket.

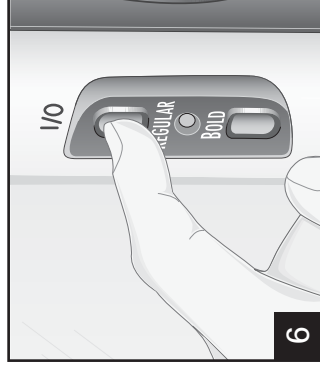
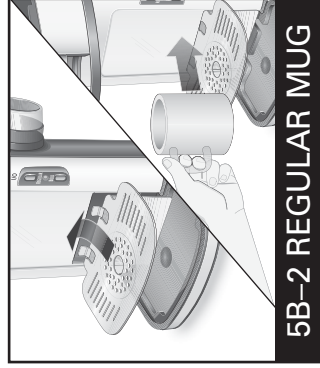
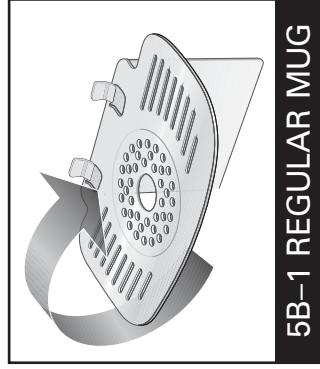
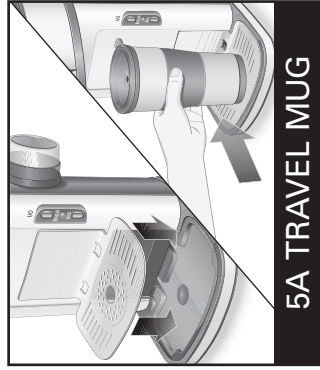
Run one or two clean water cycles through the machine before first use.

AUTOMATIC SHUTOFF: The coffeemaker will automatically shut off after brew cycle is complete.



Water reservoir has two water levels: one for 8 oz. (250 ml) (minimum) and one for 14 oz. (410 ml) (MAX line) of water.

Before First Use (cont.)



Discard liquid when clean water cycle is finished. Coffeemaker is now ready for use. Follow instructions on page 6.

Ensure the multilevel/flip cup rest is firmly secured and snapped into place.

How to Use

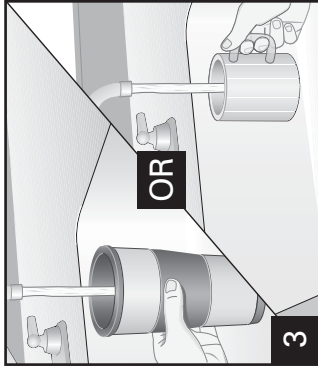
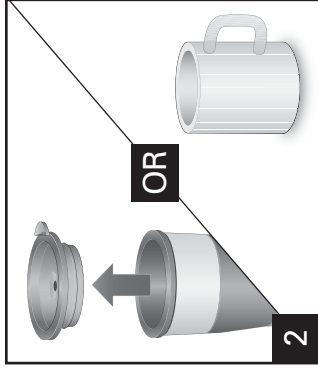
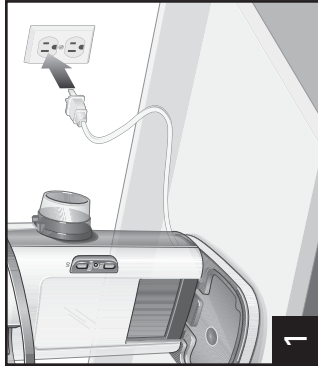
SEE ALSO "USING THE REGULAR AND BOLD SETTINGS" SECTION ON PAGE 8.

⚠ WARNING Burn Hazard.

To avoid contact with hot coffee or water:

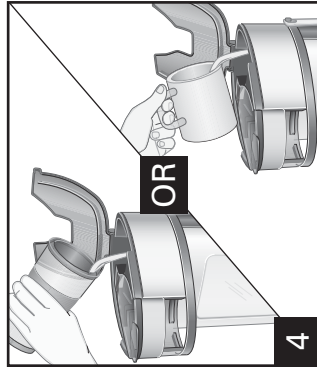
- Do not use more than 14 ounces (410 ml) of water.

- Fill reservoir with mug or cup into which the coffee will be brewed.
- Fully insert mug or cup under filter basket.

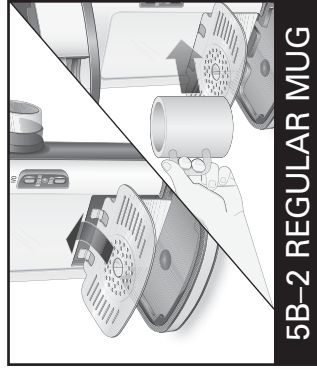
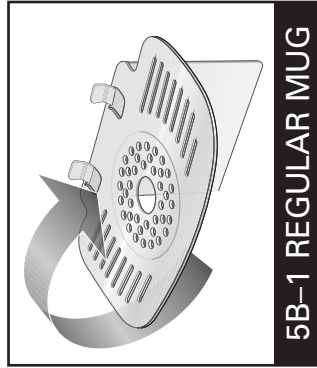
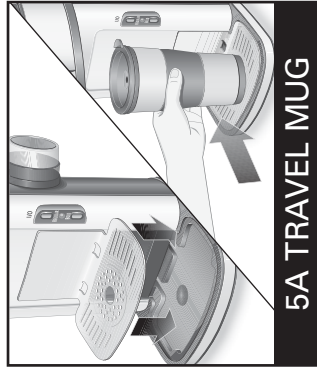


AUTOMATIC SHUTOFF: The coffeemaker will automatically shut off after brew cycle is complete.

FOR HOTTER COFFEE: Rinse mug or travel mug with warm water before brewing.

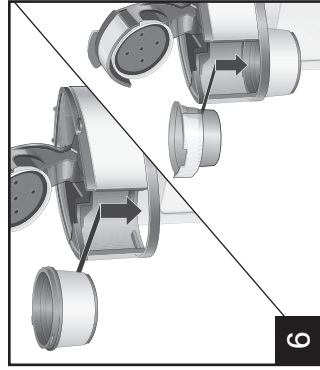


Water reservoir has two water levels: one for 8 oz. (250 ml) (minimum) and one for 14 oz. (410 ml) (MAX line) of water.

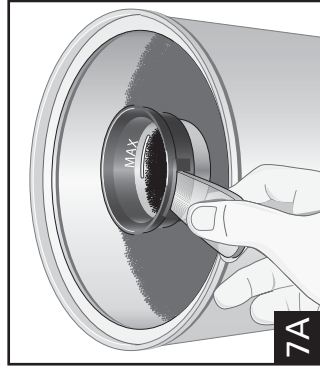


Ensure the multilevel/flip cup rest is firmly secured and snapped into place.

How to Use (cont.)

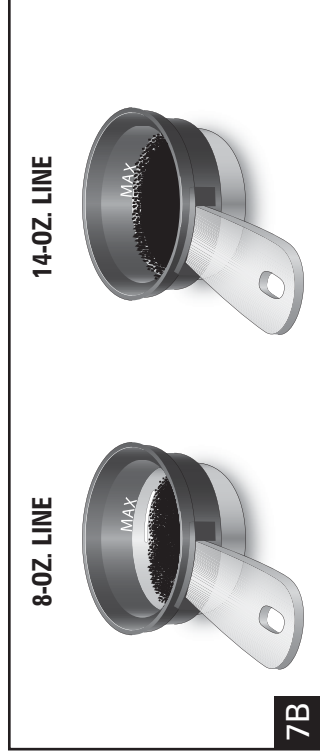


6



7A

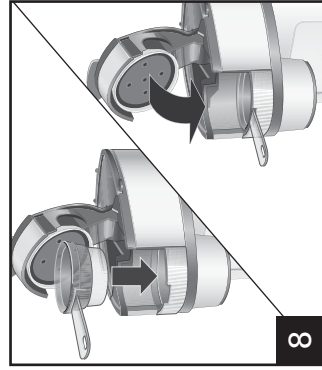
WARNING! Burn Hazard. To avoid overflow, keep ground coffee below MAX fill line.



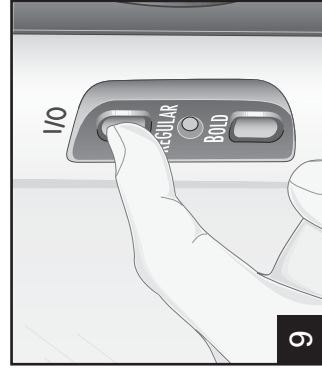
7B

To Order Parts and Accessories: 1.800.851.8900 (U.S.)
1.800.267.2826 (Canada)
01.800.71.16.100 (Mexico)
or visit hamiltonbeach.com

Scoop coffee grounds directly into the Scoop™ filter provided, using the measurement instructions shown above. Or, if you prefer to use a traditional coffee scoop method, measure coffee in the following way:
8-oz. cup = 2 tablespoons ground coffee
14-oz. cup = 3 tablespoons ground coffee
To get the perfect taste you prefer, adjust measurements up or down accordingly.



8



9

Use the BOLD setting for flavored, decaf, finely ground, and premium brand ground coffees such as Starbucks® and Dunkin' Donuts®.

Press **REGULAR** or **BOLD** to begin flow of coffee. Coffeemaker will automatically shut off when brewing is complete. To stop brewing midcycle, press either button and the unit will turn off.

NOTE: If there is no water in the water reservoir, and a brew button is pushed, the unit will not brew. The LED light will blink for 5 seconds, then turn coffeemaker OFF (O).

Starbucks® is a registered trademark of Starbucks U.S. Brands, LLC.
Dunkin' Donuts® is a registered trademark of DD IP Holder LLC.

Using the Regular and Bold Settings

- This unit uses ground coffee **ONLY**. It is **NOT** intended for use with coffee "pods."
- Use the **BOLD** setting when a stronger cup of coffee is desired. Use the **BOLD** setting for flavored, decaf, finely ground, and premium brand ground coffees such as Starbucks® and Dunkin' Donuts®. Starbucks® is a registered trademark of Starbucks U.S. Brands, LLC. Dunkin' Donuts® is a registered trademark of DD IP Holder LLC.
- When using whole bean coffee, a standard automatic drip coffee grind will yield best results. Be careful not to overgrind, since very finely ground coffee can cause overflow in this unit.
- If overflow occurs, first try switching the unit to the **BOLD** setting, OR use slightly less grounds. The **BOLD** setting dispenses water at a slower rate, allowing more contact time and better coffee extraction from the coffee.

Tips for Best-Tasting Coffee

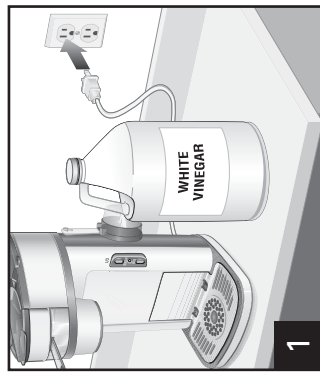
- All coffees are made from either arabica beans or robusta beans, or some combination of both. Arabica beans are slightly more expensive, but tend to produce better-tasting coffee.
- Ground coffee will become stale much faster than whole beans. If buying preground coffee, choose a package with the latest expiration date or a smaller quantity.
- Try to use freshly ground coffee within about a week of grinding.
- Using a water filter, filtered water, or bottled water will yield better-tasting coffee than tap water.
- Make sure your coffeemaker is clean. See "Care and Cleaning" section.

Care and Cleaning

⚠ WARNING Shock Hazard.

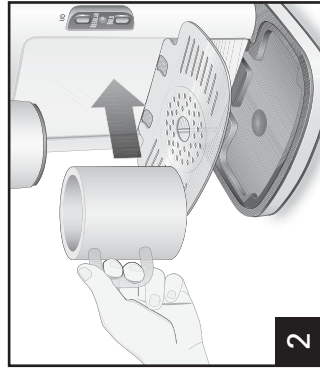
Do not immerse cord, plug, or coffeemaker in any liquid.

All coffeemakers should be cleaned at least once a month (once a week with hard water).

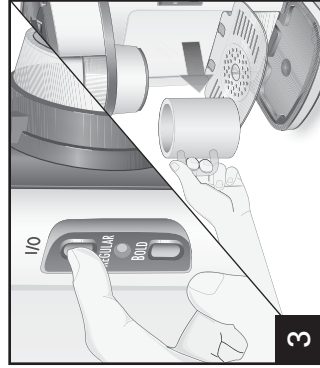


1

Pour 1/2 cup (125 ml) of plain white vinegar and 1/2 cup (125 ml) of cold water into reservoir.

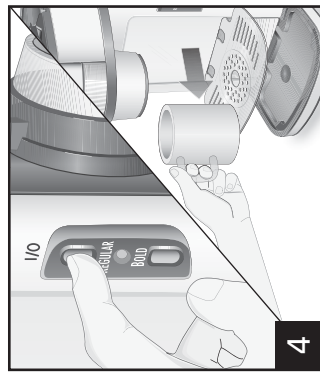


2



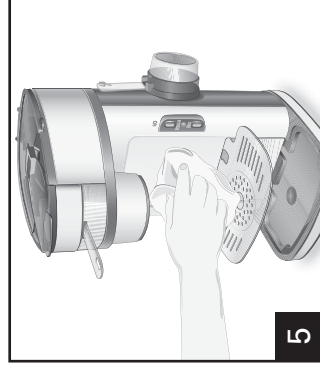
3

Press the **REGULAR** or **BOLD** button once. After 30 seconds, turn unit **OFF (O)** using the **REGULAR** or **BOLD** button and allow vinegar to clean. After 30 minutes, plug in unit and allow it to finish the brew cycle. When brew cycle is finished, wait for unit to cool. Empty cup and rinse.



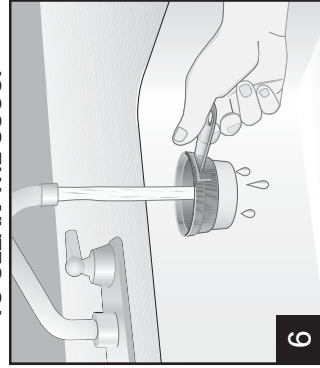
4

Replace accessories. Run two to three cycles of cold tap water. The unit is now cleaned and ready to make coffee.



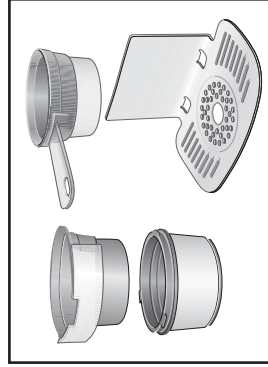
5

TO CLEAN THE SCOOP™



6

Discard grounds after each use. Rinse and/or clean with soapy water. Towel dry or hang dry on brew basket holder.



DISHWASHER-SAFE

NOTE: The Scoop™ brew basket should be cleaned daily, and the filter holder should be cleaned at least once a week.

Troubleshooting

PROBLEM	PROBABLE CAUSE
Coffee tastes bad.	<ul style="list-style-type: none">• Coffeemaker needs cleaning.• Coffee ground too coarsely or too finely. Set coffee grinder to automatic drip grind.• Poor coffee quality and freshness.• Poor water quality (use filtered or bottled water).
Water on counter under unit.	<ul style="list-style-type: none">• Overfilled water reservoir. Also check cup used to fill reservoir. Some mugs/cups do not pour cleanly and can dribble water down the side of the cup and onto counter.
Coffeemaker will not brew and LED light is blinking.	<ul style="list-style-type: none">• Add water. If there is no water in the water reservoir and a brew button is pushed, the unit will not brew.
Weak coffee.	<ul style="list-style-type: none">• First, try brewing using the BOLD setting. If coffee is still too weak, adjust water/coffee ratio by using slightly less water and/or more grounds. Be careful to not exceed the MAX line for grounds.• Use a lesser amount of ground coffee.• Use the BOLD setting for flavored, finely ground, premium brand ground coffees, and decaf coffees.• When using whole bean coffee, a standard automatic drip coffee grind will yield best results. Be careful not to overgrind, since very finely ground coffee can cause overflow in this unit.
Coffee overflows from brew basket.	<ul style="list-style-type: none">• To prevent coffee overflowing from a mug/travel mug, ensure the SAME cup into which coffee will be brewed is also used to fill the water reservoir.
Coffee overflows from mug or travel mug.	