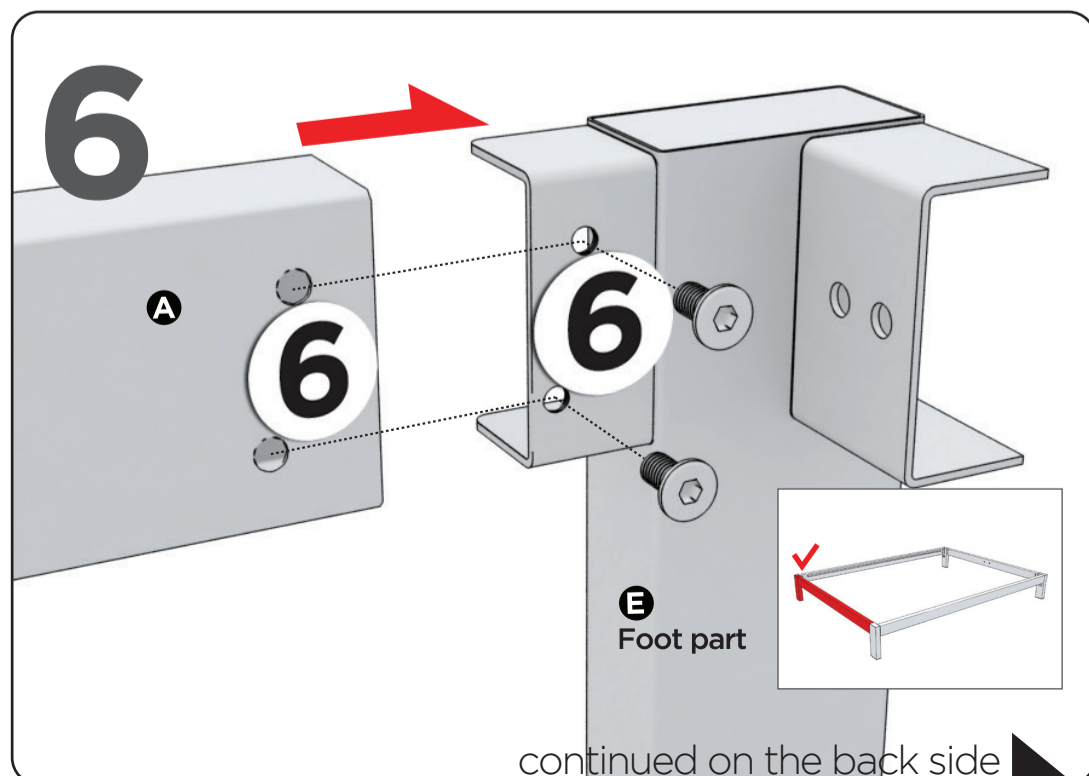
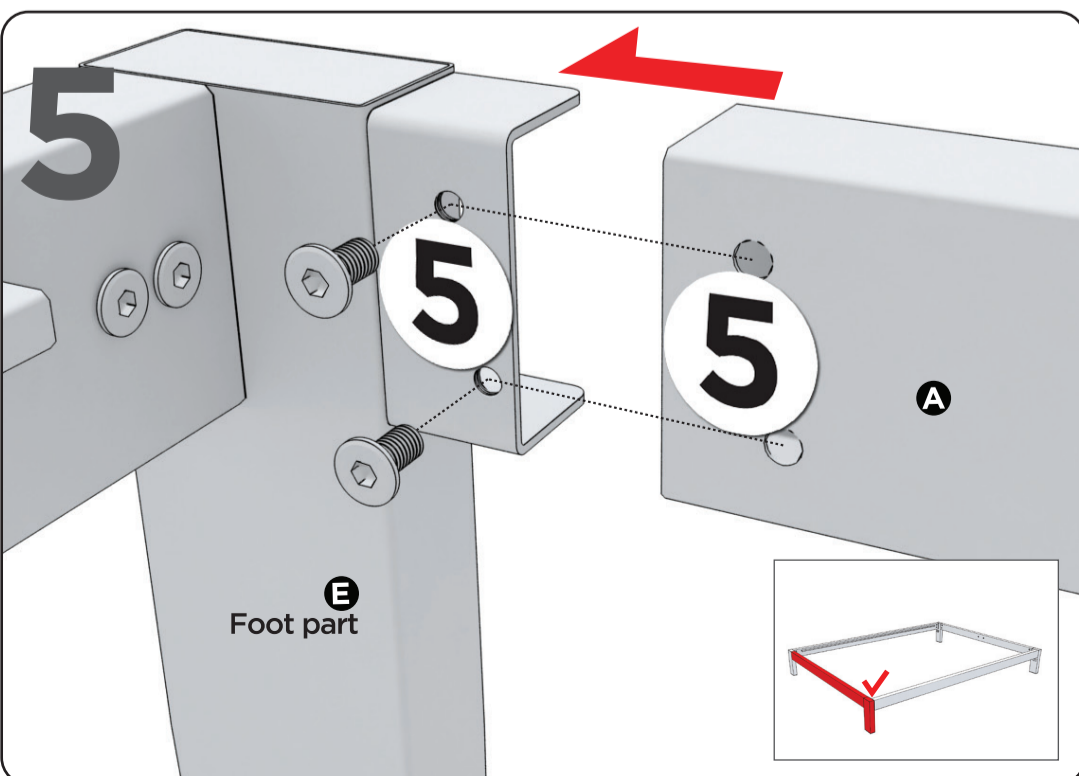
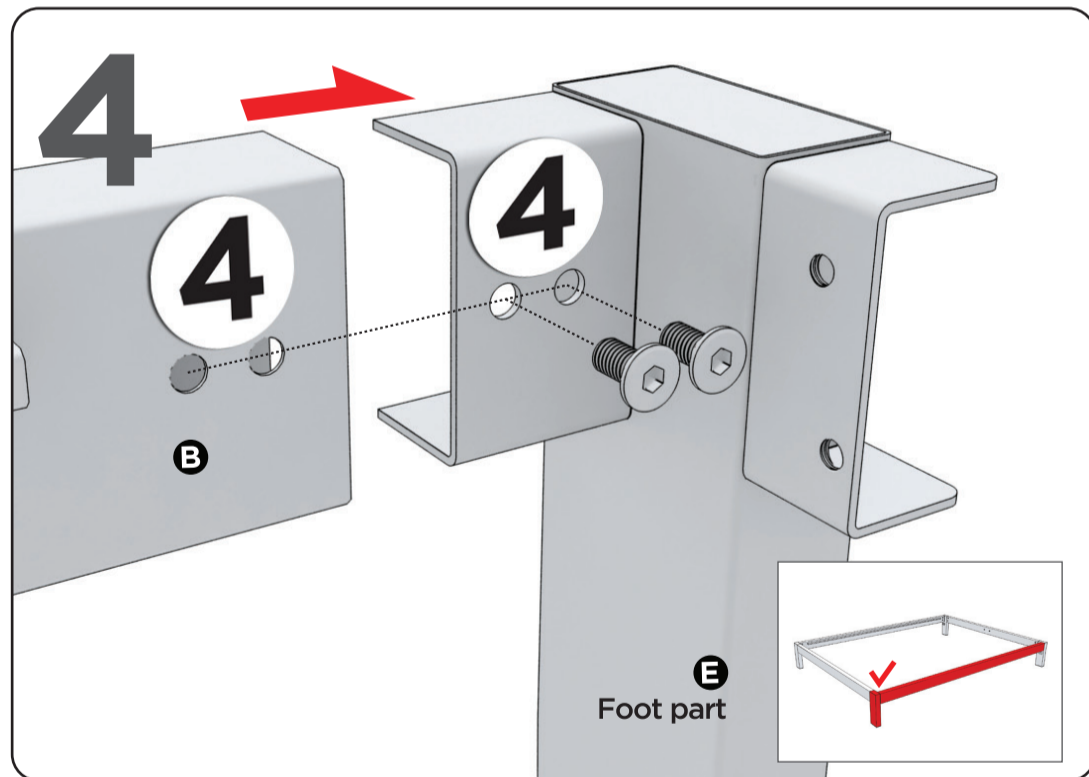
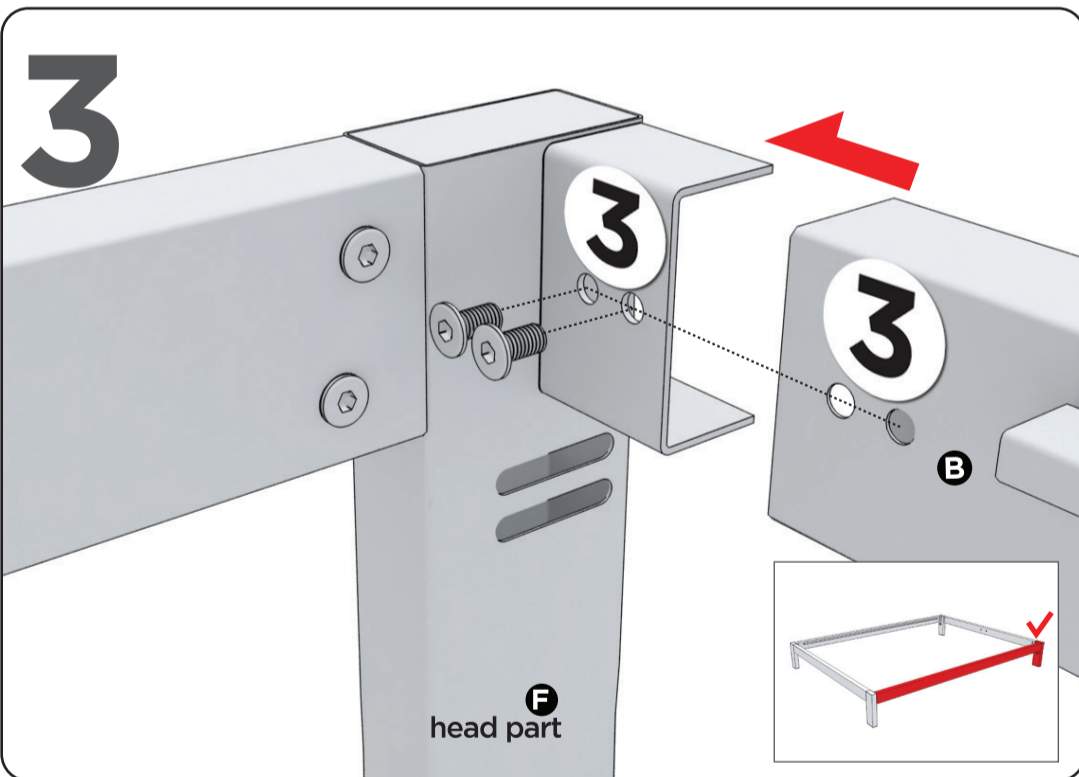
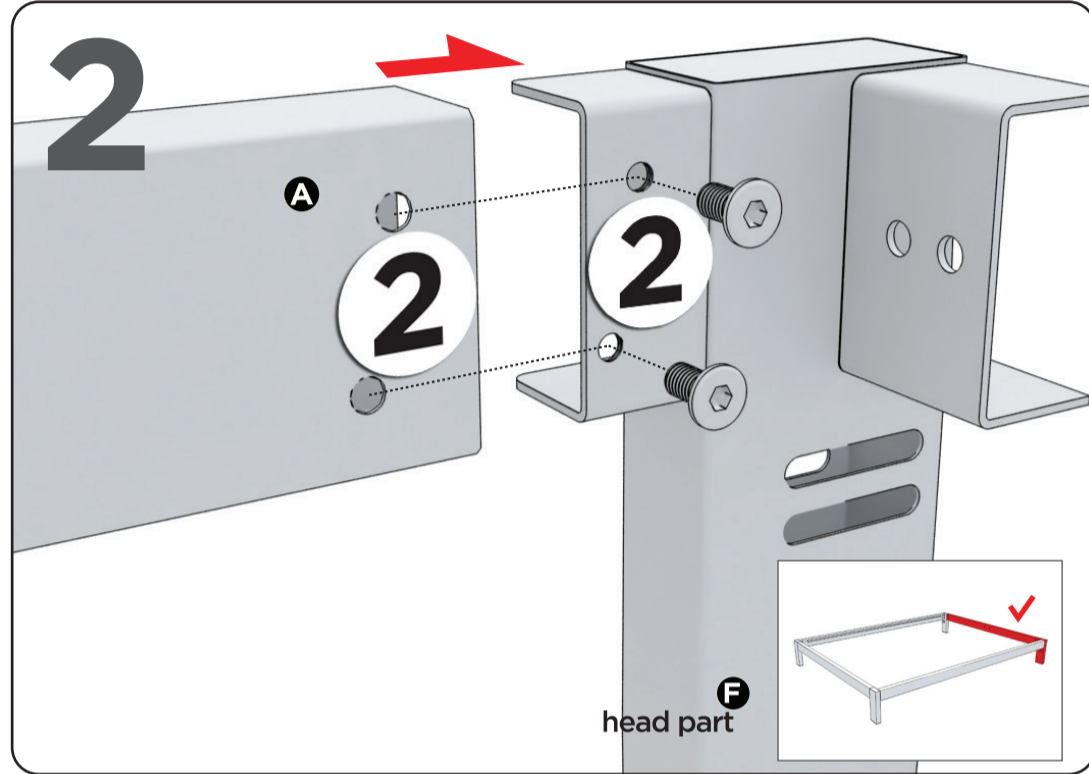
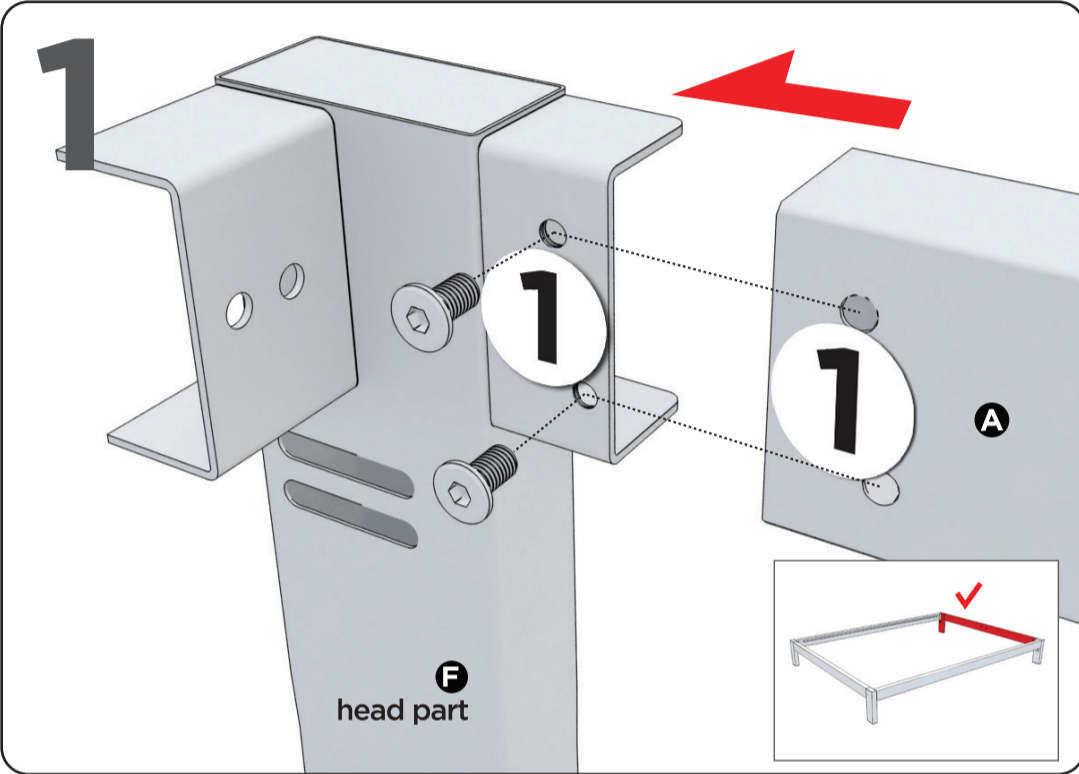
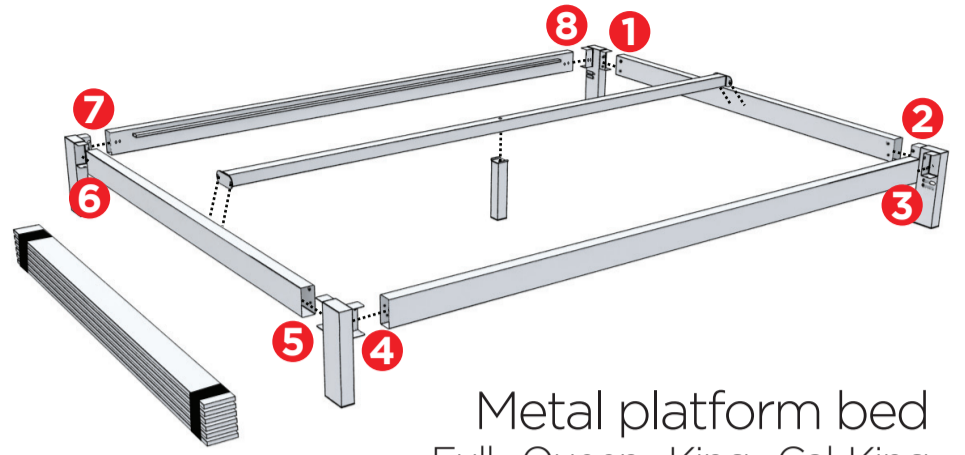


# Easy as 1 2 3

## Assembly Instruction

Just follow the numbers

1 2 3 ... 8



continued on the back side

