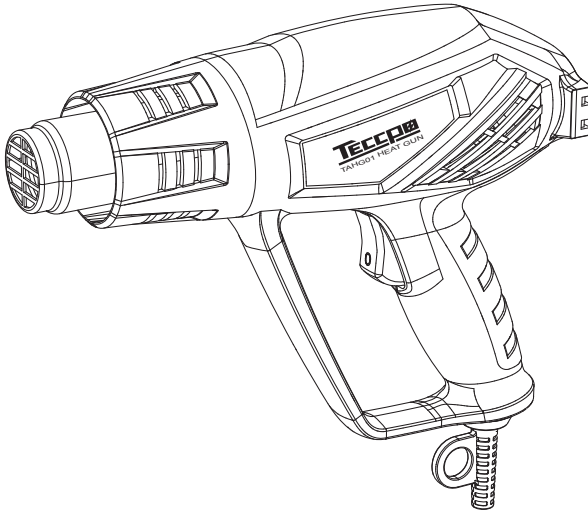


ТЕЦПРО

User Manual

HEAT GUN



Model: TAHG01P

IMPORTANT SAFETY INSTRUCTIONS

A fire may result if the appliance is not used with care, therefore

- be careful when using the appliance in places where there are combustible materials;
- do not apply to the same place for long time;
- do not use in presence of an explosive atmosphere;
- be aware that heat may be conducted to combustible materials that are out of sight;
- do not leave the appliance unattended when it is switched on.

If the supply cord is damaged, it must be replaced by manufacturer, its service agent or similarity qualified persons in order to avoid a hazard.

This appliance can be used by children aged from 8 years and above and persons with reduced physical, sensory or mental capabilities or lack of experience and knowledge if they have been given supervision or instruction concerning use of the appliance in a safe way and understand the hazards involved.

Children shall not play with the appliance

Cleaning and user maintenance shall not be made by children without supervision

SAVE THESE INSTRUCTIONS

Safety Rules



WARNING Non-observance of the safety rules while working with the hot air tool can lead to fire, explosion, electric shock or burns. Read the operating instructions before using the tool and always observe the safety rules. Save these instructions and give them to persons that have not been instructed before they use the tool.



WARNING A damaged casing or an opened unit can lead to a hazardous electric shock. Do not open the unit and do not put a damaged unit into operation. Do not drill into the casing, e.g. to attach a company label. Before any work on the unit, pull the mains plug.



WARNING A damaged power cord can lead to a hazardous electric shock. Check the power cord regularly. Do not operate the unit when the power cord is damaged. Always have a damaged cord replaced through a specialist. Do not wrap the cord around the unit and protect it from oil, heat and sharp edges. Do not carry the unit by the cord and do not use the cord to pull the plug from the outlet.



WARNING Do not work in rain or in a moist or wet environment. This can lead to a hazardous electric shock. Keep the unit dry. Store the unit in a dry location when not in use. Consider the weather conditions. Do not work in wet sanitary facilities. Avoid body contact with grounded cables or surfaces, such as pipes, radiators, ranges and refrigerators.



WARNING Connect power tools that are used in the open via a residual current circuit breaker (RCCB).



WARNING: Danger of explosion! The hot air tool can explosively ignite combustible fluids and gases. Do not work in a potentially explosive environment. Check the surrounding before starting to work. Do not work on fuels or gas containers or in their vicinity, even when they are empty.



WARNING Danger of fire! Heat can reach combustible materials that are hidden behind coverings, in ceilings, floors or cavities, and ignite them. Inspect the work area before starting to work and in case of doubt, abstain from using the hot air tool. Do not point the unit at the same spot for extended periods



WARNING Danger of fire! An unsupervised operating hot air tool can set fire to objects that are close by. The unit must be supervised at all times during operation. When allowing the switched off unit to cool down, always place it down vertical and standing. Allow the unit to cool down completely.



WARNING Danger of fire! When working plastics varnish or similar materials, gases develop that are easily inflammable and can lead to explosions. Be prepared for flames to develop and keep suitable fire-extinguishing means at hand.



WARNING: Danger of intoxication! When working plastics, varnish or similar materials, gases develop that can be aggressive or toxic. Avoid breathing in vapours, even when they appear to be harmless. Always provide for good ventilation of the work area or wear a respirator.



WARNING Danger of injury! The hot air jet can injure persons or animals. Touching the hot tube of the heating element or the nozzle leads to skin burns. Keep children and other persons away from the unit. Do not touch the tube of the heating element or the nozzle when they are hot. **Do not use the unit as a hair dryer.** It develops much more heat than a hair dryer.

Do not use the unit to heat up fluids or to dry objects or materials that are destroyed through the influence of hot air.



WARNING Unintentional starting or unexpected switching on of the heating element after actuation of the thermal relay can lead to injuries. Make sure that the switch is set to OFF when connecting the unit to the mains supply. Switch the unit OFF when the thermal relay has actuated



WARNING Danger of injury! Using an air flow reflection nozzle that is not suitable for your unit can lead to burns. Use only original accessories for your model that are listed in these operating instructions.



WARNING Danger of injury and fire. The hot air tool is dangerous for children. Keep the hot air tool out of the reach of children.

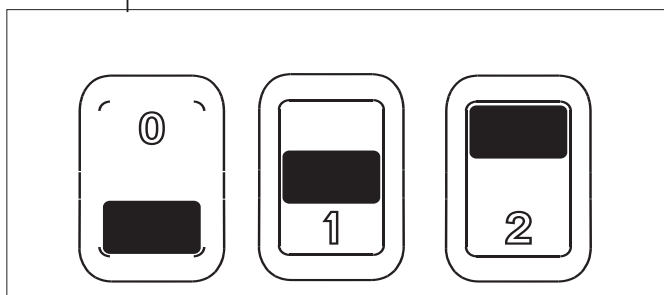
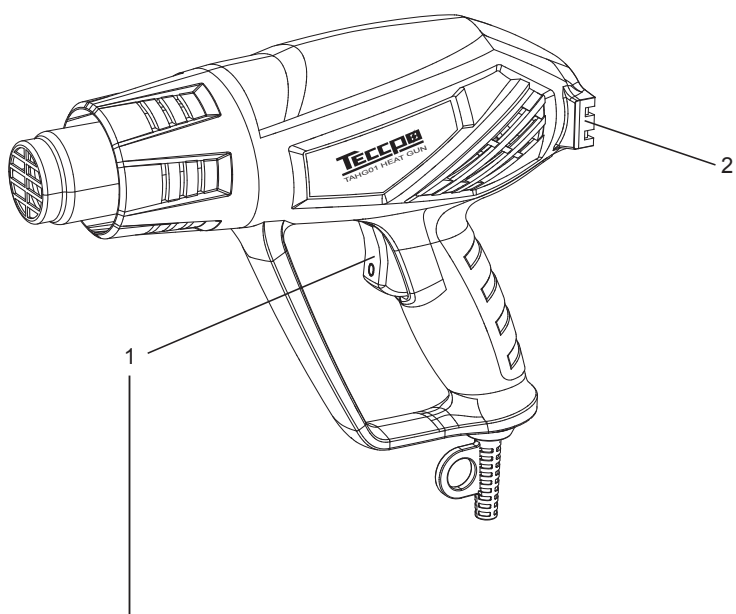


DANGER Danger of lead overheating! Incorrect handling can lead to an accumulation of heat and thus damage the unit. Do not operate the unit when it is placed down horizontally or when pointed downward. The air-intake opening and the nozzle must not be covered. Use only nozzles that are suitable for your unit.

Technical Data

| | | | |
|------------------|----------|--|------|
| Model | | TAHG01P | |
| Voltage | (V) | 100-120V | |
| Frequency | (Hz) | 50/60 | |
| Power | (W) | 1500W | |
| Switch position | | 0-1-2 | |
| Temperature | position | 1 | 2 |
| | °C | 400 | 550 |
| | °F | 750 | 1022 |
| Protection class | | II / <input type="checkbox"/> double insulated | |

Component Description



1) Mode selector switch

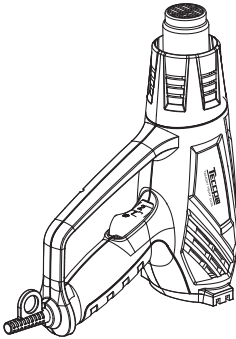
a) 0 (OFF) when you are finished with your project, press the power button to 0. the unit will enter cool down mode. The motor will run for 1minutes to cool the unit then stop running.

b) 1 (LOW 0-400°C/ 0-750°F)

c) 2 (HIGH 0-550°C/ 0-1022°F)

2) Rear stabilizer fins (stand)

Hands-free operation

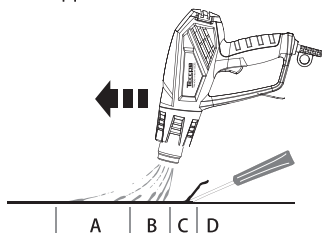


The Heat Gun has an integrated stand for bench top applications and for cooling down.

The best method of paint removal


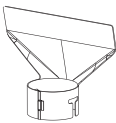
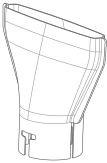
Move the Heat Gun slowly and steadily forward at an angle to the surface, pointing the nozzle in the direction of motion. This allows you to scrape safely outside the hot air stream and keeps the scraper and the scraped surface cooler.




- A. Warm air preheats the surface.
- B. Paint is softened by hot air.
- A + B. Deep penetration of heat over total area.
- C. Paint can be easily scraped off as soon as it is softened and the gun is moved forward.
- D. Stripped surface allowed to cool.



Accessories

The following accessories may come with the Heat Gun or may be purchased on amazon

| Name | Photo | Description |
|--------------------------|---|---|
| Concentrator Nozzle |  | Directs a concentrated heat flow to the work surface. Ideal for removing paint in awkward corners, crevices, mouldings, beading or architraves. |
| Glass Protection Nozzle |  | Deflects the heat away from glass or other fragile areas. Ideal for window sills, ledges, frames and skirting boards. |
| Wide Concentrator Nozzle |  | Directs a long, narrow heat pattern to the work surface. Ideal for removing paint or varnish from large, flat surfaces such as skirting boards, doors, stairs, etc. It should be used in conjunction with a flat scraper. |

| | | |
|------------------|---|---|
| Reflector Nozzle |  | Disperses the heat flow evenly around the whole work surface. Ideal for thawing frozen pipes, solder pipe work, bending plastics or heat shrinking electrical insulating tubing. |
| Scraper |  | Stripping paint, varnish and removing vinyl tiles |
| Detailed scraper |  | Stripping paint and varnish from window sills. |

- The TAHG01P Heat Gun is one of the most versatile tools you can own. It can be used for a great variety of projects, from big DIY to small Art & Crafts jobs.

| | Use | Heatchoose | Nozzle TipChoose |
|-----|--|------------|--------------------------------------|
| DIY | Stripping paint | HIGH | Concentrator or WideConcentrator |
| | Wall repair | LOW | No tip |
| | Drying paint | LOW | No tip |
| | Soften adhesives to remove floor tiles | LOW | Wideconcentrator |
| | Bend plastic, plexiglass, formica | LOW/HIGH | Reflector |
| | Removing formica and linoleum | LOW | Wide concentrator |
| | Soften paint, caulking and putty for easier removal (use heat deflector) | HIGH | Concentrator Or Wide concentrator |
| | Shrink plastic film for wrapping or Weatherproofing | LOW | Wideconcentrabr |

| | | | |
|-------------------------|---------------------------------------|----------|----------------------------------|
| Automotive | Removing stickers, emblems and decals | LOW | No tip |
| | Removing dents | HIGH | No tip |
| | Removing paint | HIGH | Concentrator or WideConcentrator |
| | Applying and removing window tint | LOW | No tip |
| | Restoring bumpers | HIGH | No tip |
| Electronics | Smartphone & tablet repair | LOW | Concentrator |
| | PlayStation and Xbox repair | LOW | Concentrator |
| Art & Crafts | Making candles | LOW | No tip |
| | Making soap | LOW | No tip |
| | Shrink wrapping presents | LOW | No tip |
| | Forming foam | LOW | No tip |
| | Cookie decoration | LOW/HIGH | No tip |

| | | | |
|--------------------------------------|--|-----------------|-----------------------------------|
| Small jobs (including repair) | Loosen rusted nuts, bolts and fittings | HIGH | No tip |
| | Repairing jeans | LOW | Wide concentrator |
| | Burning weeds | HIGH | Concentrator |
| | Removing adhesives | LOW | No tip |
| | Waxing skis/snowboard | LOW | Wide concentrator |
| | Glass fibre work | HIGH | Concentrator or Wide Concentrator |
| | Unfreezing pipes and locks | LOW | no tip |
| | Lighting a bbq grill | HIGH | Concentrator / BBQ Nozzle |
| | Heat concrete prior to patching | LOW/HIGH | Concentrator |
| | Defrosting refrigerator / freezer | LOW | No tip |

Meaning of crossedout wheeled dustbin:



Do not dispose of electrical appliances as unsorted municipal waste, use separate collection facilities.

Contact you local government for information regarding the collection systems available.

If electrical appliances are disposed of in landfills or dumps, hazardous substances can leak into the groundwater and get into the food chain, damaging your health and well-being.

When replacing old appliances with new ones, the retailer is legally obligated to take back your old appliance for disposals at least free of charge.

Conformity

Confirms that this product, in the version as brought into circulation through us, fulfils the requirements of the following

EEC directives:

Directives:

2006/95/EC, 2004/108/EC

Harmonized Standards:

EN 55014-1, EN 55014-2

EN 61000-3-2, EN 61000-3-3

EN 60335-2-45, EN 60335-1

Subject to change without notice.

Shenzhen Allsight E-business Co., Ltd

Web: www.teccpools.com

Facebook: www.facebook.com/Teccpo.US

E-mail: support@teccpo.net

ADD: Room 104, Building P09, south China City Electronic trading Center, Longgang District, Shen Zhen, CHINA

Made in China

