

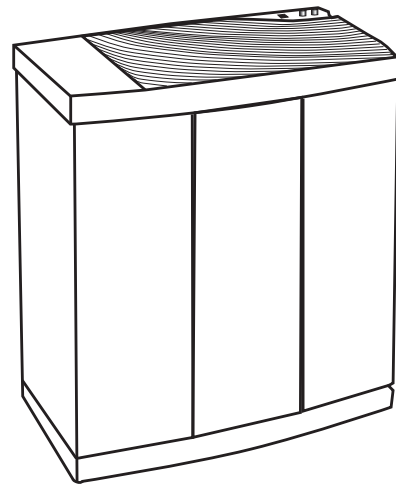
READ AND SAVE THESE INSTRUCTIONS

AIRCARE®

CONSOLE EVAPORATIVE HUMIDIFIER

H12 SERIES USE AND CARE GUIDE

- ▶ Adjustable Humidistat
- ▶ Four Speed Fan
- ▶ Easy Fill Water Bottle



**H12 300HB;
H12 400HB**



Français13
Español25

TO ORDER PARTS AND ACCESSORIES CALL 1.800.547.3888

COMFORT IS IN THE AIR

IMPORTANT SAFEGUARDS

General Safety Instructions

READ BEFORE USING YOUR HUMIDIFIER

DANGER: means if the safety information is not followed someone will be seriously injured or killed.

WARNING: means if the safety information is not followed someone could be seriously injured or killed.

CAUTION: means if the safety information is not followed someone may be injured.

1. To reduce the risk of fire or shock hazard, this humidifier has a polarized plug (one blade is wider than the other.) Plug humidifier directly into a 120V, A.C. electrical outlet. Do not use extension cords. If the plug does not fully fit into the outlet, reverse plug. If it still does not fit, contact a qualified electrician to install the proper outlet. Do not change the plug in any way.
2. Keep the electric cord out of traffic areas. To reduce the risk of fire hazard, never put the electric cord under rugs, near heat registers, radiators, stoves or heaters.
3. Always unplug the unit before moving, cleaning or removing the fan assembly section from the humidifier, or whenever it is not in service.
4. Keep the humidifier clean.
5. Do not put foreign objects inside the humidifier.
6. Do not allow unit to be used as a toy. Close attention is necessary when used by or near children.
7. To reduce the risk of electrical hazard or damage to humidifier, do not tilt, jolt or tip humidifier while unit is running.
8. To reduce the risk of accidental electrical shock, do not touch the cord or controls with wet hands.
9. To reduce the risk of fire, do not use near an open flame such as a candle or other flame source.

WARNING: For your own safety, do not use humidifier if any parts are damaged or missing.

WARNING: To reduce risk of fire, electric shock, or injury always unplug before servicing or cleaning.

WARNING: To reduce the risk of fire or shock hazard, do not pour or spill water into control or motor area. If controls get wet, let them dry completely and have unit checked by authorized service personnel before plugging in.

INTRODUCTION

Your new humidifier adds invisible moisture to your home by moving dry air through a saturated wick. As air moves through the wick, the water evaporates into the air, leaving behind any white dust, minerals, or dissolved and suspended solids in the wick. Because the water is evaporated, there is no messy mist or spray, just clean and invisible moist air.

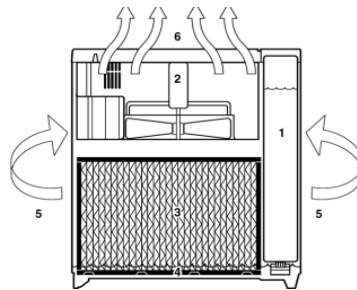
As the evaporative wick traps accumulated minerals from the water, its ability to absorb and evaporate water decreases. We recommend changing the wick at the beginning of every season. In hard water areas, more frequent replacement may be necessary to maintain your humidifier's efficiency.

Use only AIRCARE® or Essick Air® brand replacement wicks and chemicals. To order parts, wicks and chemicals call 1-800-547-3888. This humidifier uses wick part number 1045. Only the AIRCARE® or Essick Air® evaporative wick guarantees the certified output of your humidifier. Use of other brands of wicks voids the certification of output and may void your warranty.

HOW YOUR HUMIDIFIER WORKS

LEGEND:

1. Water bottle
2. Chassis/power pack (motor/fan assembly)
3. Evaporative wick
4. Water reservoir
5. Dry room air intake
6. Moist air output



Once the wick becomes saturated, air is drawn in, passes through the wick and moisture is circulated into the air.

All evaporation occurs in the humidifier so any residue remains in the wick. This natural process of evaporation creates no white dust like some other humidifiers.

Dry air is drawn into the humidifier through the back and moisturized as it passes through the evaporative wick. It is then circulated out into the room.

* Output based on 8' ceiling. Coverage may vary due to tight or average construction.

FEATURES	
Water capacity	5.4 gallons
Sq. ft. coverage*	Up to 3000 (tight constr.)
Fan Speeds	4
Replacement wick	1045
Adjustable humidistat	Yes
Auto shutoff	Yes
Refill indication	Yes
Control type	Analog with digital display
Casters	Yes (4)
ETL Listed	Yes
Volts	120
Hertz	60
Watts	80

ASSEMBLY

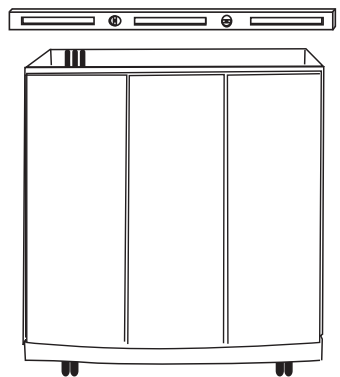
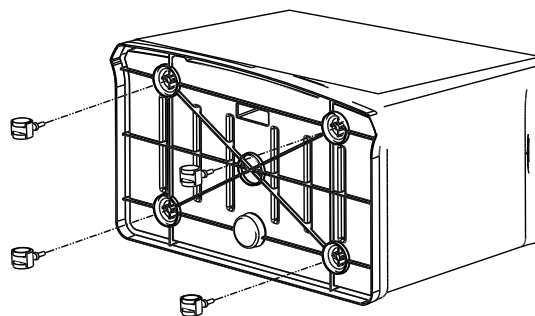
UNPACKING AND SETTING UP THE UNIT

1. Remove the two inserts from the top of the humidifier.
2. Open the water bottle covers. Remove the water bottles, lift off the chassis/power pack and then remove the humidifier cabinet from the carton.
3. Remove the evaporative wick and all of the remaining packaging materials from the cabinet. Check to see that you have all of the following items removed from the boxes, accessory kit, and cabinet before discarding the packaging:

- ◆ Filler Hose
- ◆ Caster kit
- ◆ Bacterial treatment sample
- ◆ Evaporative Wick
- ◆ Water Bottle with cap
- ◆ Float, float rod and retainer
- ◆ Manual

CASTERS

4. With access to the bottom of the cabinet, insert each caster stem into a caster hole on each corner of the humidifier bottom. The casters should fit snugly and be inserted until the stem shoulder reaches the cabinet surface. Turn the cabinet right side up.

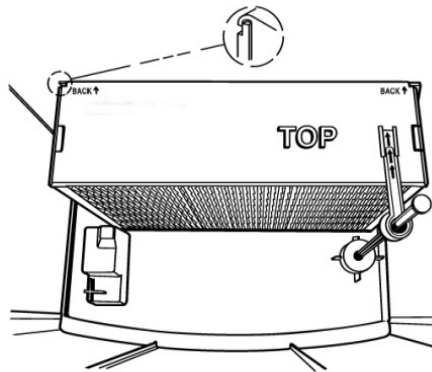
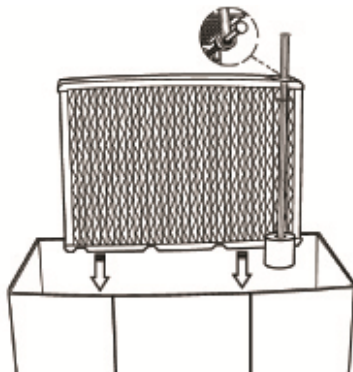


NOTE:

To ensure bottle empties properly, use a bubble level to verify the humidifier cabinet is placed on a level surface.

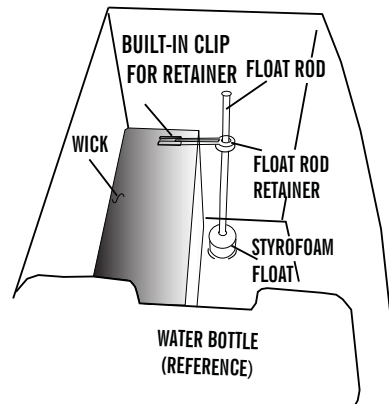
EVAPORATIVE WICK

1. When placing the wick back into the humidifier, the rod and float assembly must also be reattached. Insert the top of the float rod through the hole on the extended wick retainer (attached to the top of the wick frame)



2. Holding the float in place, lower the wick and float assembly together into the cabinet. The wick has a mounting rib on the top edge which hooks over a rib at the inside back of the cabinet.

NOTE: The float rod retainer must be extended prior to inserting the float rod. The white float must be positioned into the pocket in the bottom of the cabinet.



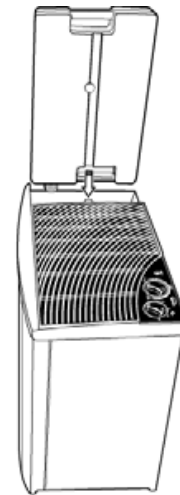
FILLING INFORMATION

CAUTION: In order to reduce the possibility of electrical shock, ensure the control panel stays dry.

1. Your humidifier is equipped with one water bottle. A fill hose that fits most faucets is provided with your humidifier. Fill the bottle with cool, fresh (preferably unsoftened) water. If you only have softened water available in your home, you can use it, but mineral buildup will occur more quickly.
2. For optimum running time, fill the water bottle, tighten the cap, and place inside unit. The bottle will drain until the reservoir is filled. Remove and refill bottle.
3. Place the water bottle into the left side of the humidifier with the valve cap end down, so that the groove in the water bottle faces the inside. Replace the water bottle cover.

CAUTION: When filling, be careful not to pressurize the bottle by overfilling it. Bottle damage can result from this, and unit will not drain properly.

NOTE: On initial fill up, it will take approximately 20 minutes for the reservoir to fill because the dry wick has to absorb water. Subsequent fillings will take approximately 12 minutes, since the wick is already saturated.



CAUTION: Use only EPA Registered Bacteriostat. **Under no circumstances should you use Water Treatment products intended for Rotobelt or Ultrasonic humidifiers.**

NOTE: We recommend using Essick Air Bacteriostat treatment when you refill the water bottle to eliminate bacterial growth. Add bacteriostat according to the instructions on the bottle and then tighten the valve cap on your water bottle. This is available for purchase by calling 1-800-547-3888. Add bacteriostat according to the instructions on the bottle.

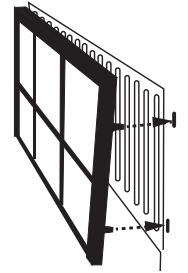
4. When both the water bottle and reservoir have emptied, the humidifier fan will automatically shut off, but will start again automatically when the water bottle and reservoir are refilled.

CHASSIS/POWER PACK

Place the chassis/power pack unit into the cabinet, so it fits without tipping or rocking.

OPTIONAL AIR CLEANING FILTER

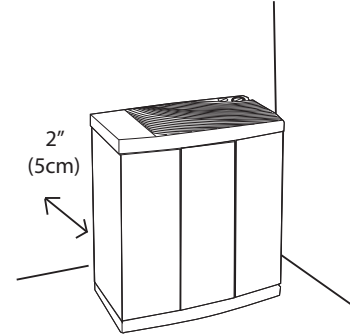
If available, install the 1051 AIRCARE® air filter at the back of the unit. The filter has four tangs that engage into four keyhole slots that mount the air filter onto the outside of the back of the cabinet. See page 8 for more information on the AIRCARE® air filter.



NOTES ON LOCATION:

In order to get the most effective use from your humidifier, it is important to position the unit where the most humidity is needed or where the moist air will be circulated throughout the house such as near a cold air return. If the unit is positioned close to a window, condensation may form on the window pane. If this occurs the unit should be repositioned in another location.

Place humidifier on a flat level surface. Do NOT position the unit directly in front of a hot air duct or radiator. Do NOT place on soft carpet. Due to release of cool, moist air from the humidifier, it is best to direct air away from thermostat and hot air registers. Position humidifier next to an inside wall on a level surface at least 2 inches away from the wall or curtains.



Be sure that the humidistat, which is located on the power cord, is free from obstruction and away from any hot air source.

ABOUT HUMIDITY

Where you set your desired humidity levels depends on your personal comfort level, the outside temperature and the inside temperature.

NOTE: Recent CDC tests show that only 14% of flu virus particles could infect people after 15 minutes at levels of 43% humidity.

You may wish to purchase a hygrometer to measure the humidity level in your home. The following is a chart of recommended humidity settings.

IMPORTANT: Water damage may result if condensation starts to form on windows or walls. Humidity SET point should be lowered until condensation no longer forms. We recommend room humidity levels do not exceed 50%.

*When Outdoor Temperature is:		Recommended Indoor Relative Humidity (RH) is
°F	°C	
-20	-30°	15 - 20%
-10°	-24°	20 - 25%
2°	-18°	25 - 30%
10°	-12°	30 - 35%
20°	-6°	35 - 40%
30°	-1°	40 - 43%

*Or above

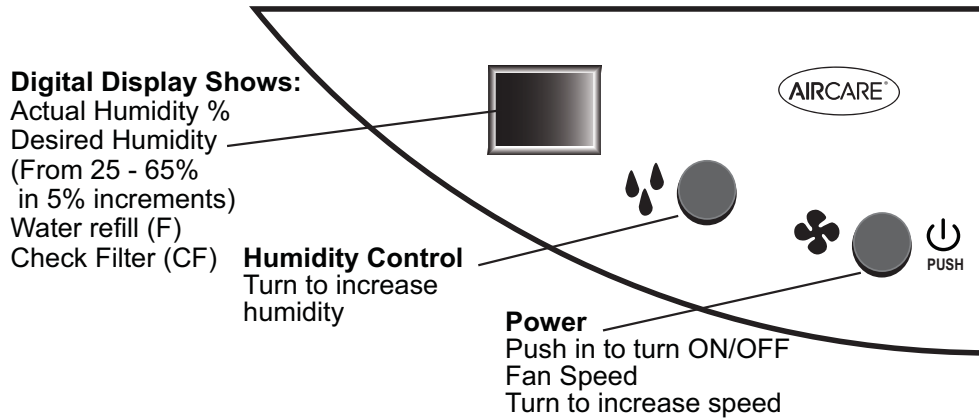
Model 1990 digital hygrometer is available for purchase by calling 1-800-547-3888.

NOTE: External hygrometer readings and humidistat readings may differ. Humidity levels can vary significantly even in one room.

CONTROLS AND OPERATION

This unit has a hybrid control panel with knobs for adjustment and a digital display to monitor humidity and fan settings.

1. Plug cord into wall receptacle. Your humidifier is now ready for use.
2. Push in on the Power (lower) knob to turn the unit on.



FAN SPEED

3. Rotate the fan speed knob clockwise to increase the speed.

The 4 speed settings will be shown on the LED display.

NOTE: When excessive condensation exists, a lower speed setting is recommended.



HUMIDITY CONTROL

NOTE: Allow 10 to 15 minutes for the humidistat to adjust to the room when setting up the unit for the first time.

NOTE: This model has an adjustable humidistat with settings from 25-65%. The humidistat will turn the humidifier on when the humidity in your home is below the humidistat setting and will turn the humidifier off when the humidity reaches the humidistat setting. When set at 65%, the humidifier will operate continuously.

4. For initial operation, set the humidity knob at a midpoint setting (45-50% is recommended) and adjust up or down from there to achieve the desired humidity level. The digital display will show the desired setting momentarily, and then revert to displaying the actual humidity.



CONTROL PANEL DISPLAYS:

Several functions of the humidifier can be monitored through the LED display on the control panel.

REFILL INDICATION:

5. The letter **F** on the display indicates when the unit is entirely out of water. The motor will cut off at this point.



FILTER INDICATION:

The filter's condition is critical to the humidifier's effectiveness. A check filter function (**CF**) will display every 720 hours of operation to remind the user to check the condition of the wick. Water quality significantly affects the life of a wick, so replacement of wick may be required more often if hard water conditions exist.



6. When the Check Filter (CF) message is displayed, turn off, disconnect the power cord and check the condition of the wick. Replace wick as necessary. The CF function is reset after plugging the unit back in.

OPTIONAL AIRCARE[®] AIR FILTER (Sold Separately)

The air filter number model 1051 is an excellent means of cleaning the air while using your humidifier. The first stage of the air filter is a high-efficiency, electrostatically charged filter media which traps dust, pollen, and airborne pollutants. The second stage is an activated carbon media which absorbs odors from cooking, pets, and tobacco smoke.

We recommend replacing the AIRCARE[®] air filter at least once a year and more often if necessary. When the white filter media is coated with a layer of dust and dirt, it is time to replace the air filter. The certified water output of your humidifier will be reduced when using the air filter. The air filters are optional and are not required for normal operation of the humidifier. The 1051 is available for purchase by calling 1-800-547-3888.

CARE AND MAINTENANCE

CAUTION: Disconnect power before, cleaning or servicing unit. Keep grille dry at all times.

Cleaning your humidifier regularly helps reduce odors and bacterial and fungal growth. Ordinary household bleach is a good disinfectant and can be used to wipe out the humidifier base and bottle/reservoir after cleaning. We recommend cleaning your humidifier at least once every two weeks to maintain optimum environmental conditions for your home.

We also recommend using AIRCARE[®] or Essick Air[®] Bacteriostat Treatment each time you refill your humidifier to eliminate bacterial growth. Add bacteriostat according to the instructions on the bottle. Please call 1-800-547-3888 to order Bacteriostat Treatment (part # 1970).

1. Turn off unit completely and unplug from outlet. Open bottle covers.
2. Lift out the water bottle and remove the chassis.
3. Carry bottle and base to cleaning basin. Lift wick from the base allowing the water to drain. Rinse wick under fresh water only. Do not use soap, detergent, or any other cleaners on the wick. Leave in sink to drain.

REMOVING SCALE

4. Empty the water from the reservoir and water bottle. Fill reservoir and water bottle $\frac{1}{2}$ full with water and add 8 oz. (1 cup) of white vinegar to each. Let stand 20 minutes. Then empty solution.
5. Dampen a soft cloth with white vinegar and wipe out reservoir to remove scale. Rinse the water bottles and reservoir thoroughly with fresh water to remove scale and cleaning solution before disinfecting.

DISINFECTING UNIT

6. Fill the water bottle and reservoir $\frac{1}{2}$ full with water and add 1 teaspoon of bleach to each. Wipe all surfaces on water bottle and cabinet. Let solution stay for 20 minutes, then rinse with water until bleach smell is gone. Dry with clean cloth. The outside of the unit and water bottle may be wiped down with a soft cloth dampened with fresh water.
7. Refill unit and re-assemble per ASSEMBLY instructions.

SUMMER STORAGE

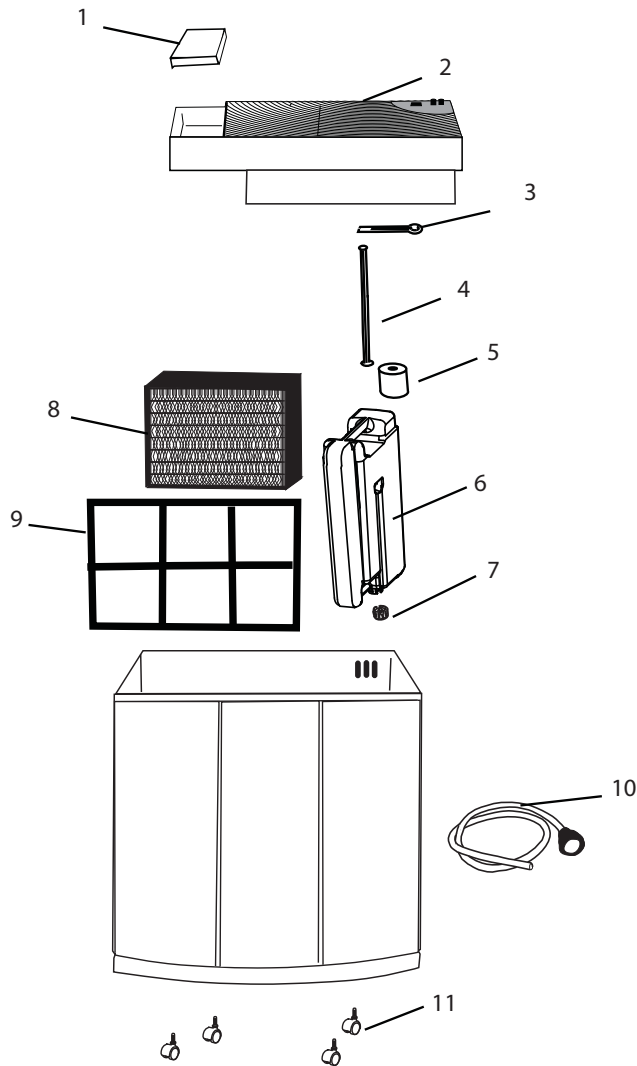
1. Clean unit as outlined in Care & Maintenance section.
2. Discard used wick and any water in the reservoir or bottles and allow to dry thoroughly before storage. Do not store with water inside reservoir or bottles.
3. Do not store unit in an attic or other high-temperature area, as damage will occur.
4. Install new filter at beginning of season.

TROUBLESHOOTING

Trouble	Probable Cause	Remedy
Unit does not operate on any speed setting	No power to unit.	Ensure polarized plug is fully inserted in wall outlet.
	Unit has run out of water – fan will not operate without water is present.	Refill water bottle.
	Refill switch operation/improper positioning of float assy.	Ensure float assembly is correctly positioned as described in “Important Filling Instructions”, page 4
Motor does not Turn On.	Check motor/fan operation.	CAUTION: Do not touch the fan when accomplishing this test, as the motor may turn on. To test the motor, turn unit ON and turn all dials fully ON . Turn the chassis over and insert finger into tab where float rod is supposed to go. If fan turns on, the fan and motor are working correctly.

Trouble	Probable Cause	Remedy
Water not draining into reservoir	Water bottle incorrectly positioned.	Unplug unit. Remove water bottle and reassemble without water bottle. Turn on and see if fan comes on. If so, replace water bottle and continue operation.
	If unit has overheated, motor temp-sensing fuse may have tripped.	Take unit to authorized service station. DO NOT ATTEMPT electrical repairs yourself.
Not enough humidity.	Wick is old and ineffective. Humidistat is not set high enough	Replace wick when clogged or hardened with minerals. Increase humidity setting on control panel.
Too much humidity. (condensation becomes heavy on fold surfaces in room)	Humidistat is set too high.	Reduce humidistat setting or increase room temperature.
Water leak	Water reservoir may have been overfilled. Or bottle may be releasing too much water.	DO NOT OVERFILL bottle and reservoir. DO NOT puncture bottle to make bottle drain faster.
Odor	Bacteria may be present.	Clean and disinfect cabinet following Care and Maintenance instructions. Add EPA registered Bacteria Treatment according to instructions on the bottle. It may be necessary to replace the wick if odor persists.
“CF” message does not appear even when wick is dirty or humidifier performance is clearly reduced.	Loss of power or a power failure has caused the CF message to prematurely reset.	Replace wick.
Display blinks or fan moves slightly when humidifier is plugged in.	Normal	No action required.
Alternating “F” and room humidity displayed.	Reservoir is empty. Float is not activating switch on chassis	Fill humidifier with water. Reposition chassis so that float and switch are aligned.
Alternating “CF” and room humidity displayed.	Wick may be dirty.	Replace wick, if needed Unplug unit for 30 seconds and plug back in to clear display.

LIST OF REPLACEMENT PARTS



Item No.	Part Number	Description	Qty
1	4V5096101 BLK	Bottle cover lid	1
2	1B72344	Chassis	1
3	1B71676	Float Rod Retainer	1
4	1B71674	Float Rod	1
5	1B71675	Styrofoam float	1
6	1B5060120	Water Bottle	1
7	1B5060000	Bottle Cap Assy.	1
8	1045	Wick	1
9	1051	Air Filter (Optional - sold separately)	1
10	1B5060140	Fill hose	1
11	1B5460070	Castors	4
12	1B72893	Manual (not shown)	1

To order parts, call 1-800-547-3888, or visit: <http://store.essickair.com>.

HUMIDIFIER TWO YEAR LIMITED WARRANTY POLICY

SALES RECEIPT REQUIRED AS PROOF OF PURCHASE FOR ALL WARRANTY CLAIMS.

This warranty is extended only to the original purchaser of this humidifier when the unit is installed and used under normal conditions against defects in workmanship and materials as follows:

- Two (2) years from date of sale on the unit, and
- Thirty (30) days on wicks and filters, which are considered disposable components and should be replaced periodically.

The manufacturer will replace the defective part/product, at its discretion, with return freight paid by the manufacturer. It is agreed that such replacement is the exclusive remedy available from the manufacturer and that TO THE MAXIMUM EXTENT PERMITTED BY LAW, THE MANUFACTURER IS NOT RESPONSIBLE FOR DAMAGES OF ANY KIND, INCLUDING INCIDENTAL AND CONSEQUENTIAL DAMAGE OR LOSS OF PROFITS OR REVENUES.

Some states do not allow limitations on how long an implied warranty lasts, so the above limitations may not apply to you.

Exclusions from this warranty

We are not responsible for replacement of wicks and filters.

We are not responsible for any incidental or consequential damage from any malfunction, accident, misuse, alterations, unauthorized repairs, abuse, including failure to perform reasonable maintenance, normal wear and tear, nor where the connected voltage is more than 5% above the nameplate voltage.

Alterations include the substitution of name brand components including, but not limited to wicks and bacteria treatment.

We are not responsible for any damage from the use of water softeners or treatments, chemicals or descaling materials.

We are not responsible for the cost of service calls to diagnose the cause of trouble, or labor charge to repair and/or replace parts.

No employee, agent, dealer or other person is authorized to give any warranties or conditions on behalf of the manufacturer. The customer shall be responsible for all labor costs incurred.

This warranty will be null & void if purchaser attempts to repair or replace any parts which are mechanical or electrical.

Some states do not allow the exclusion or limitation of incidental or consequential damages, so the above limitations or exclusions may not apply to you.

How to obtain service under this warranty

Within the limitations of this warranty, purchaser with inoperative units should contact customer service at **800-547-3888** for instructions on how to obtain service within warranty as listed above.

This warranty gives the customer specific legal rights, and you may also have other rights which vary from province to province, or state to state.

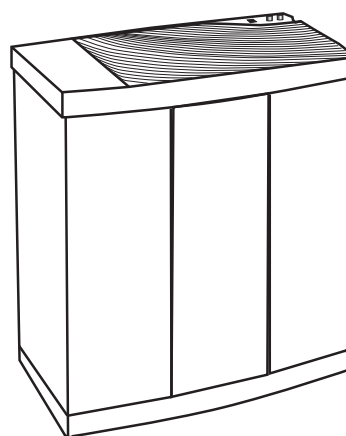
Register your product at www.essickair.com or www.AIRCAREproducts.com.

AIRCARE®

CONSOLE HUMIDIFICATEUR À ÉVAPORATION

H12 SÉRIE MANUEL D'UTILISATION ET D'ENTRETIEN

- ▶ Humidostat réglable
- ▶ Ventilateur à 4 vitesses
- ▶ Bouteille d'eau de remplissage facile



H12300HB:
H12400HB



Anglais 1
Español 25

POUR COMMANDER DES PIÈCES ET DES ACCESSOIRES
APPELEZ LE 1.800.547.3888

LE CONFORT EST DANS L'AIR

INSTRUCTIONS GÉNÉRALES DE SÉCURITÉ

À LIRE AVANT D'UTILISER VOTRE HUMIDIFICATEUR

DANGER: Signifie que si les informations de sécurité ne sont pas suivies, des blessures graves ou fatales s'ensuivront.

AVERTISSEMENT: Signifie que si les informations de sécurité ne sont pas suivies, des blessures graves ou fatales pourraient survenir.

ATTENTION: Signifie que si les informations de sécurité ne sont pas suivies, des blessures pourraient survenir.

1. Afin de réduire le risque d'électrocution, cet humidificateur a une prise à deux têtes (l'une des fiches est plus large que l'autre). Brancher directement l'humidificateur dans une prise de courant alternatif 120 V. Ne pas utiliser de rallonges électriques. Si la prise ne rentre pas, la brancher en sens inverse. Si cela ne rentre toujours pas, contacter un électricien pour installer la prise murale adéquate. Ne pas modifier la prise.
2. Éloignez le cordon électrique d'une zone de passage. Pour diminuer le risque d'incendie, ne mettez jamais le cordon électrique sous un tapis, à proximité d'une bouche d'air, d'un radiateur, d'un four ou d'un appareil de chauffage.
3. Toujours débrancher l'humidificateur avant de le déplacer. Enlever le système de ventilation avant de nettoyer ou de faire réparer l'humidificateur.
4. L'humidificateur doit toujours rester propre.
5. N'introduisez pas de corps étrangers dans l'humidificateur.
6. Cet appareil n'est pas un jouet. Une surveillance est nécessaire si cet appareil est utilisé par ou près d'un enfant.
7. Pour réduire le risque d'électrocution ou d'endommagement de l'humidificateur, ne l'inclinez pas, ne le secouez pas et ne le faites pas basculer tant qu'il est en marche.
8. Pour réduire le risque de choc électrique accidentel, ne touchez pas le cordon ou les commandes avec les mains mouillées.
9. Pour réduire le risque d'incendie, ne l'utilisez pas près d'une flamme, comme une bougie ou autre source de flamme.

AVERTISSEMENT: Pour votre propre sécurité, n'utilisez pas l'humidificateur si des pièces sont endommagées ou manquantes.

AVERTISSEMENT : Pour réduire les risques d'incendie, de choc électrique ou de blessure, débranchez toujours avant de réparer ou de nettoyer.

AVERTISSEMENT: Pour réduire le risque d'incendie ou de choc électrique, ne versez pas et ne renversez pas d'eau dans le secteur de commande ou moteur. Si les commandes sont mouillées, laissez-les sécher complètement et faites vérifier l'unité par le personnel de service autorisé avant de brancher.

INTRODUCTION

L'humidificateur évaporateur ajoute une humidité invisible dans la maison en faisant passer de l'air sec à travers un filtre à mèche saturé d'eau. Au fur et à mesure que l'air passe au travers du filtre à mèche, l'eau s'évapore dans l'air en laissant derrière toutes poussières blanches, minéraux et solides dissous ou en suspension. Puisque l'eau est évaporée, il n'y a ni brume ni brouillard irritants, mais rien que de l'air humidifié, propre et invisible.

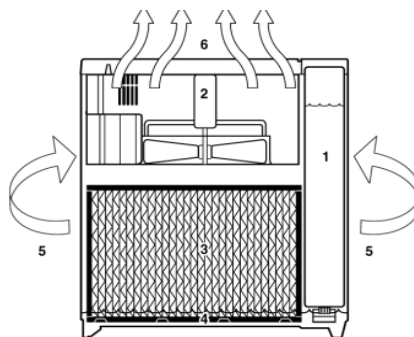
Au fur et à mesure que la mèche d'évaporation emprisonne et accumule les minéraux contenus dans l'eau, sa capacité d'absorption et d'évaporation d'eau diminue. Nous recommandons de changer le filtre à mèche au début de chaque saison d'humidification. Dans les régions où l'eau est dure, un remplacement plus fréquent peut être nécessaire afin de maintenir l'efficacité de votre humidificateur.

N'utilisez que les produits chimiques et les filtres à mèche de marque AIRCARE ou Essick Air en remplacement. Afin de placer une commande de pièces, de filtres à mèche ou de produits chimiques, composez le 1-800-547-3888. Les filtres à mèche de numéro 1045 de marque AIRCARE®/Essick Air®. Seuls les filtres à mèche d'évaporation de marque AIRCARE® ou Essick Air® garantissent le rendement certifié à la sortie de votre humidificateur. L'utilisation de filtres à mèche autres que la marque AIRCARE®/Essick Air® annule la garantie, la certification de la valeur à la sortie et peut réduire l'efficacité de votre humidificateur.

FONCTIONNEMENT DE L'HUMIDIFICATEUR

LEGEND:

1. Récipient d'eau
2. Châssis/bloc d'alimentation (montage du moteur et du ventilateur)
3. Filtre à mèche d'évaporation
4. Réservoir d'eau
5. Entrée de l'air sec
6. Sortie de l'air humidifié



Une fois que le filtre est saturé d'eau, de l'air est attiré dans l'appareil, il passe à travers le filtre et l'humidité est absorbée dans l'air.

Toute évaporation se produit à l'intérieur de l'humidificateur, c'est pourquoi tous les résidus restent dans le filtre. Ce processus naturel d'évaporation élimine virtuellement la poussière blanche.

* Sortie sur la base de 8 'plafond. La couverture peut varier en raison de serré ou la construction moyenne.

FEATURES	
Capacité d'eau	5.4 galones
Couverture en mètres carrés	Jusqu'à 279+ (construction étanche)
Vitesses de ventilation	4
Filtre de rechange	1045
Humidostat réglable	Oui
Voyant de remplissage	Oui
Arrêt automatique	Oui
Commandes	Analogique avec affichage numérique
Roulettes	Oui (4)
Certification ETL	Oui
Volts	120
Hertz	60
Watts	80

ASSEMBLAGE

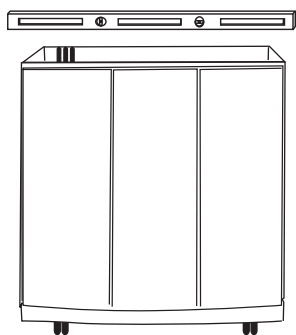
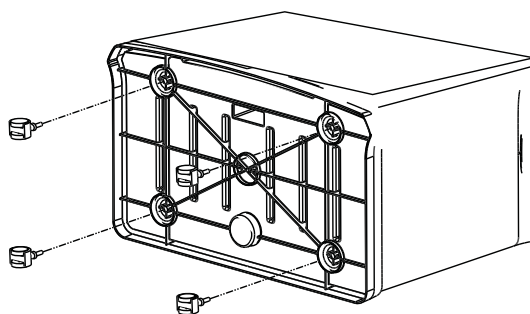
DÉBALLAGE ET INSTALLATION DE L'APPAREIL

1. Retirez les deux pièces d'emballage qui se trouvent sur le dessus de l'humidificateur.
2. Ouvrir les couvercles des récipients d'eau. Sortez les récipients d'eau; soulevez le châssis/bloc d'alimentation puis retirez le boîtier de l'humidificateur de la boîte d'emballage.
3. Sortez le filtre à mèche d'évaporation et tout le matériel restant de la boîte. Avant de jeter l'emballage, assurez-vous d'avoir retiré tous les éléments suivants de la boîte, de la trousse d'accessoires et du boîtier :

- ◆ Tuyau de remplissage
- ◆ Trousse de roulettes
- ◆ Échantillon de traitement contre les bactéries
- ◆ Flotteur, La tige du flotteur & retenue
- ◆ Filtre à mèche d'évaporation
- ◆ Manuel
- ◆ Bouteille d'eau avec bouchon

LES ROULETTES

4. Avec l'accès à la partie inférieure de l'armoire, insérez une tige de roulette dans chacun des quatre orifices situés aux quatre coins de la base de l'humidificateur. Les roulettes doivent bien s'ajuster et être enfoncées jusqu'à ce que l'épaule de la tige atteigne la surface du boîtier. Retournez le boîtier à l'endroit.

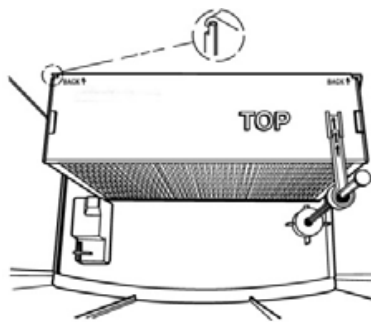
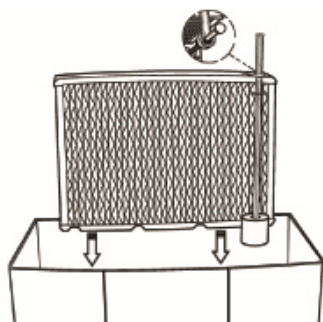


NOTA:

Afin d'assurer à le bouteille vide correctement, utilisez un niveau à bulle pour vérifier l'armoire de l'humidificateur est de niveau.

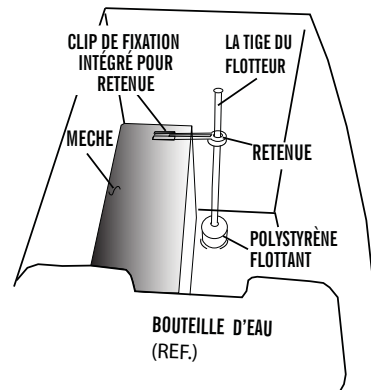
FILTRE À MÈCHE D'ÉVAPORATION

1. Au moment de placer la mèche dans l'humidificateur, vous devez aussi installer le montage de la tige et du flotteur. Insérez le haut de la tige du flotteur dans l'orifice situé sur la retenue de la mèche (fixée en haut de la structure de la mèche).



2. En tenant le flotteur en place, abaissez à la fois le montage de la mèche et du flotteur dans le boîtier. La mèche comprend une nervure de montage sur la bordure du haut qui s'accroche sur l'arête intérieure de la partie arrière du boîtier.

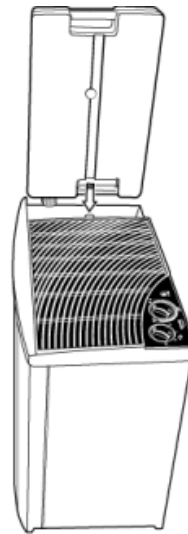
NOTA: La retenue de la tige du flotteur doit être retirée avant l'insertion de la tige du flotteur. Vous devez placer le flotteur blanc dans la pochette au fond du boîtier.



RENSEIGNEMENTS SUR LE REMPLISSAGE

MISE EN GARDE: Pour réduire la possibilité d'électrocution, vérifiez que le panneau de commande reste sec.

1. Votre humidificateur est muni d'un récipient d'eau. Un boyau de remplissage, qui convient à la plupart des robinets, est fourni avec l'humidificateur. Remplissez les récipients d'eau pure et fraîche (de préférence non adoucie). Vous pouvez utiliser de l'eau adoucie au besoin, mais des dépôts minéraux se formeront alors plus rapidement.
2. Afin d'obtenir une durée de marche optimale, remplissez le récipient d'eau, serrez le bouchon et placez-le dans l'appareil pour le laisser se vider entièrement dans le réservoir d'eau. Remplissez ensuite le récipient et remettez-le dans le boîtier.
3. Placez le récipient d'eau du côté gauche, à l'intérieur de l'humidificateur, avec le capuchon du clapet vers le bas, afin que la rainure du récipient d'eau soit dirigée vers l'intérieur. Remettez le couvercle du récipient d'eau en place.



MISE EN GARDE: Le récipient peut contenir 9,5 litres (2,5 gallons). Faites attention lors du remplissage, car un trop-plein peut entraîner des dommages sur le récipient.

NOTA : Au premier remplissage du récipient d'eau, la mèche est sèche ; cela prend environ 20 minutes pour que l'eau du récipient s'écoule dans le réservoir. Lors de remplissages subséquents du récipient d'eau, avec une mèche humide, cela prend environ 12 minutes pour remplir le réservoir.

MISE EN GARDE: Utiliser uniquement enregistré EPA bactériostatique. Vous ne devez en aucun cas utiliser des produits de traitement de l'eau conçus pour des humidificateurs d'air ultrasoniques ou de type « Roto Belt ».

NOTA: Nous recommandons l'utilisation du traitement contre les bactéries Essick Air Bacteriostatic Treatment à chaque remplissage du récipient d'eau afin d'éliminer la croissance des bactéries. Ajoutez le bactériostat selon les directives inscrites sur le récipient puis serrez bien le capuchon du clapet sur le récipient.

4. Lorsque le récipient d'eau et le réservoir sont tous deux vides, le ventilateur de l'humidificateur s'arrête automatiquement et se remet automatiquement en marche une fois le récipient d'eau et le réservoir remplis.

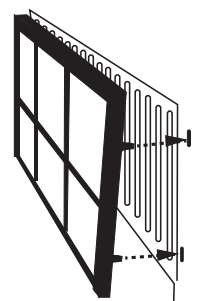
CHÂSSIS/BLOC D'ALIMENTATION

Placez l'ensemble du châssis/bloc d'alimentation dans le boîtier de façon à ce qu'il ne bascule pas.

FILTRE À AIR EN OPTION

Si disponible, installez le filtre AIRCARE® n° 1051 à l'arrière de l'appareil. Le filtre AIRCARE® est monté sur la paroi extérieure de l'arrière du boîtier à l'aide de languettes qui s'engagent dans quatre fentes en forme de trou de serrure.

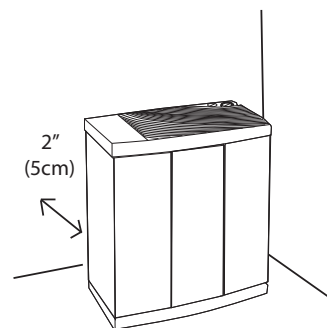
Voir page 20 pour plus d'informations sur le filtre à air AIRCARE®.



REMARQUES SUR L'EMPLACEMENT:

Afin de tirer le meilleur parti de votre humidificateur, il est important de placer l'appareil à un endroit où le plus d'humidité est nécessaire ou là où l'air humide circulera dans toute la maison comme à proximité d'un retour d'air froid. Si l'appareil est placé près d'une fenêtre, de la condensation peut se former sur la vitre. Si cela se produit, il faut déplacer l'appareil. Placez l'unité sur une surface plane. Ne placez PAS l'appareil directement devant une bouche d'air chaud ou un radiateur. NE le placez PAS sur de la moquette ou un tapis.

Du fait que de l'air humide et frais est libéré de l'humidificateur, il est préférable de ne pas diriger l'air vers un thermostat ou des bouches d'air chaud. Placez l'humidificateur à côté d'un mur intérieur sur une surface plane à au moins 2 pouces (5 cm) du mur ou des rideaux.



Assurez-vous que l'hygrostat, qui est situé sur le cordon d'alimentation, est libre de tout obstacle et de toute source d'air chaud.

À PROPOS DE L'HUMIDITÉ

Le réglage du niveau d'humidité souhaité dépend de votre niveau de confort personnel, la température extérieure et la température intérieure.

REMARQUE: Les tests CDC récentes montrent que les risques de transmission de la grippe sont considérablement réduits à des niveaux de 43% d'humidité.

*Vous pouvez acheter un hygromètre pour mesurer le niveau d'humidité chez vous. Voici un tableau des taux d'humidité recommandés.

IMPORTANT: Des dégâts causés par l'eau peuvent se produire si de la condensation commence à se former sur les fenêtres ou les murs. Le point de réglage (SET) de l'humidité doit être réduit jusqu'à ce que la condensation cesse de se former. Nous recommandons que les niveaux d'humidité ambiante ne dépassent pas 50 %.

*Lorsque la température extérieure est de		L'humidité relative (HR) recommandée à l'intérieur d'une habitation est de :
°F	°C	
-20	-30°	15 - 20%
-10°	-24°	20 - 25%
2°	-18°	25 - 30%
10°	-12°	30 - 35%
20°	-6°	35 - 40%
30°	-1°	40 - 45%

*o plus

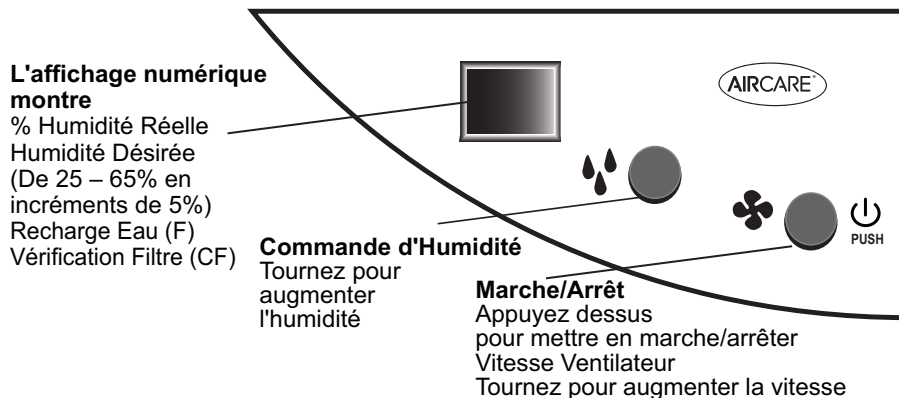
* Modèle 1990 hygromètre numérique est disponible à l'achat par téléphone au 1-800-547-3888.

REMARQUE : Lectures de externes et des lectures hygrostat peuvent différer. Les niveaux d'humidité peuvent varier considérablement, même dans une pièce

RÉGLAGE ET FONCTIONNEMENT

Cette unité dispose d'un panneau de commande hybride avec les boutons de réglage et un affichage numérique pour contrôler les paramètres de humidité et ventilateur.

1. Branchez le cordon d'alimentation sur la prise murale. Votre humidificateur est maintenant prêt à être utilisé.
2. Appuyer sur le bouton POWER (en bas) pour mettre l'appareil en marche.



VITESSE DE VENTILATEUR

3. Tournez le bouton de vitesse de ventilateur dans le sens des aiguilles d'une montre pour augmenter la vitesse du ventilateur. Les 4 réglages de vitesse seront montrés sur l'écran LED.



NOTA : En cas de condensation importante, un réglage sur une moindre vitesse est recommandé.

CONTRÔLE DE L'HUMIDITÉ

NOTE: Laisser 10 à 15 minutes pour l'hygrostat pour ajuster à la marge de la première utilisation.

NOTA : Chaque modèle possède un humidostat automatique avec des réglages de 25 à 65%. L'humidostat mettra en marche l'humidificateur lorsque l'humidité dans votre maison est inférieure au réglage de l'humidostat et arrêtera l'humidificateur lorsque l'humidité atteint le réglage de l'humidostat. Au point de réglage 65%, l'humidificateur fonctionnera en continu.



4. Pour le fonctionnement initial, réglez le bouton d'humidité au réglage moyen (45-50% est recommandé) et ajustez vers le haut ou le bas à partir de là pour atteindre le niveau d'humidité désiré. L'affichage numérique indiquera le réglage souhaité momentanément, puis reviendra à l'affichage de l'humidité réelle.

PANNEAU D'AFFICHAGE

Plusieurs fonctions de the humidificateur peuvent être surveillés par l'affichage LED sur le panneau de commande.

INDICATION REMPLISSAGE

5. Lorsque l'appareil est complètement vidé d'eau, la commande affichera un **F** et le moteur s'arrêtera. Lorsque rempli, l'appareil redémarrera automatiquement.



INDICATION DE FILTRE:

La capacité d'un humidificateur, quel qu'il soit, à produire efficacement de l'humidité dépend dans une large mesure de l'état du filtre. Au fur et à mesure que le filtre se charge d'impuretés, il perd progressivement sa capillarité. Lorsque cela se produit, la production d'humidité est réduite et l'humidificateur doit fonctionner plus longtemps pour atteindre l'humidité programmée.

6. Cet humidificateur a un rappel de vérification le filtre à mèche qui apparaît après 720 heures de fonctionnement. Lorsque le message Check Filter (**CF**) (Vérifier Filtre) s'affiche, débranchez le cordon d'alimentation et vérifiez l'état du filtre. La fonction CF est réinitialisée après avoir rebranché l'appareil.



OPTIONNEL FILTRE AIRCARE® (Vendu séparément)

Le filtre optionnel du aire AIRCARE® représente une excellente façon de nettoyer l'air ambiant pendant que l'humidificateur est en marche. La première étape de filtration d'air est assurée par un média filtrant électrostatiquement chargé à haut rendement qui capte les poussières, le pollen et les particules dans l'air. La deuxième étape est assurée par un média au charbon actif qui absorbe les odeurs provenant de la cuisson, des animaux domestiques et de la fumée du tabac.

Nous recommandons de remplacer le filtre du aire AIRCARE® au moins une fois par an et plus souvent si nécessaire. Lorsque le médium blanc est couvert d'une pellicule de poussières ou de saleté, il est temps de remplacer le filtre AIRCARE®. La sortie d'eau certifiée de l'humidificateur est réduite lors de l'utilisation du filtre AIRCARE®. Les filtres AIRCARE® sont optionnels et ne sont pas requis pour le fonctionnement normal de l'humidificateur. Le filtre 1051 est disponible pour l'achat en appelant 1-800-547-3888.

SOINS ET ENTRETIEN

MISE EN GARDE : Débranchez l'alimentation avant de nettoyer ou entretenir l'appareil. Gardez toujours la grille au sec en tout temps.

Le fait de nettoyer régulièrement votre humidificateur aide à éliminer les odeurs et la croissance de bactéries et des moisissures. L'eau de javel domestique ordinaire est un bon désinfectant et peut être utilisée pour essuyer le plateau et les récipients/réservoirs d'eau après nettoyage. Nous recommandons de nettoyer l'humidificateur au moins une fois toutes les deux semaines afin pour assurer le maintien de conditions environnementales optimales dans la maison.

Nous recommandons d'ailleurs l'utilisation du traitement Bacteriostat AIRCARE ou Essick Air à chaque remplissage de l'appareil afin d'éliminer la croissance éventuelle de bactéries. Ajoutez le produit de traitement selon les directives inscrites sur le récipient. Veuillez composer le 1-800-547-3888 pour commander le traitement Bacteriostat, sous le numéro de produit 1970.

1. Arrêtez l'unité complètement et débranchez-la de la prise de courant. Soulever les couvercles de bouteilles.
2. Soulevez le récipient d'eau et le bloc d'alimentation.
3. Amenez le récipient et la base vers un évier. Soulevez le filtre à mèche en laissant l'eau s'écouler. Rincez le filtre à mèche avec de l'eau fraîche uniquement. N'utilisez pas de savon, de détergent ni d'autres produits nettoyants sur le filtre à mèche. Laissez-le s'égoutter dans l'évier.

DÉTARTRAGE

4. Videz l'eau contenue dans le réservoir et le récipient d'eau. Remplissez de moitié le réservoir et chaque récipient avec de l'eau et rajoutez une tasse (8 oz) de vinaigre blanc dans chaque contenant. Laissez agir pendant 20 minutes. Videz la solution.
5. Mouillez un chiffon doux avec du vinaigre blanc et essuyez le réservoir pour enlever les dépôts. Rincez abondamment le récipient et le réservoir avec de l'eau fraîche pour enlever les dépôts et la solution nettoyante avant de désinfecter.

DÉSINFECTION DE L'APPAREIL

6. Remplissez de moitié le réservoir et le récipient avec de l'eau et rajoutez 1c. à thé d'eau de javel dans chaque contenant. Essuyez le boîtier et l'extérieur des récipients avec cette solution. Laissez agir la solution pendant 20 minutes, puis rincez avec de l'eau jusqu'à ce que l'odeur de l'eau de javel ait disparue. Séchez avec un chiffon propre. Vous pouvez essuyer les parois extérieures de l'appareil et du récipient d'eau à l'aide d'un chiffon doux mouillé avec de l'eau fraîche.
7. Remplissez l'appareil et remontez-le selon les directives d'ASSEMBLAGE.

ENTREPOSAGE PENDANT L'ÉTÉ

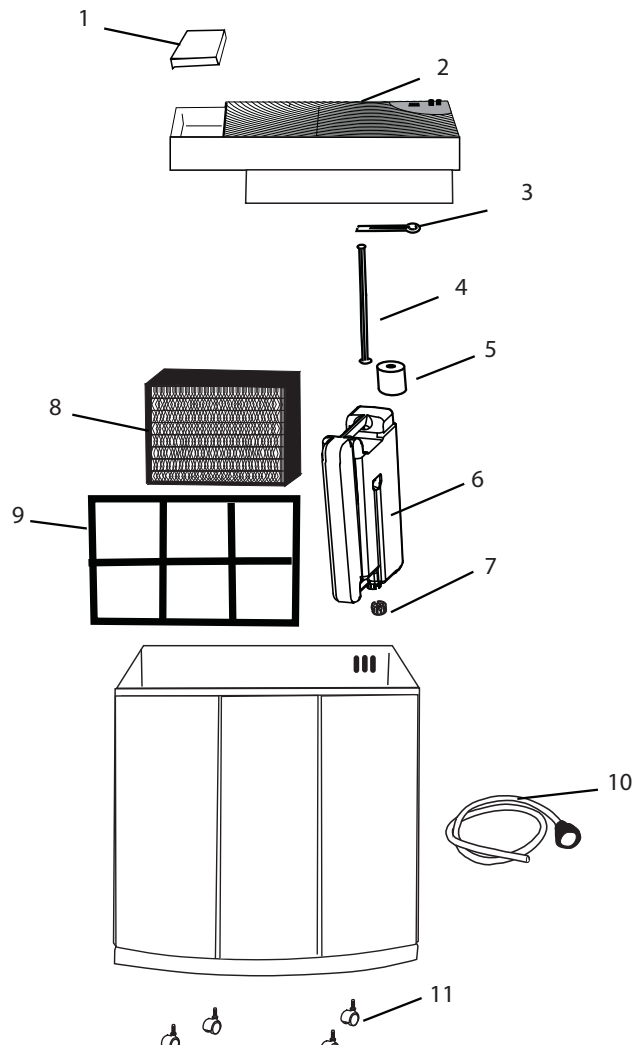
1. Nettoyez l'appareil tel qu'indiqué dans le chapitre portant sur les « Soins et l'entretien ».
2. Jetez le filtre à mèche usés et toute eau résiduelle dans le réservoir ou le récipient. Laissez l'appareil sécher complètement avant de le ranger. N'entreposez pas l'appareil avec de l'eau résiduelle dans le récipient ou dans le réservoir.
3. N'entreposez pas l'appareil dans un grenier ou dans un endroit où la température est élevée, ou des dommages peuvent survenir.
4. Installez un nouveau filtre à mèche avant le début de la saison.

DÉPANNAGE

PROBLÈME	CAUSE PROBABLE	SOLUTION
L'unité ne fonctionne à aucune vitesse établie	Pas d'alimentation à l'unité	Assurez-vous que la fiche polarisée soit entièrement insérée dans la prise murale.
	Manque d'eau – le ventilateur ne fonctionne pas sans eau.	Remplissez la bouteille d'eau.
	Fonctionnement de l'interrupteur de remplissage / mauvais positionnement du montage flottant.	Assurez-vous que le montage flottant est correctement positionné comme décrit dans les "Instructions importantes pour le remplissage", page17.
Le moteur ne s'allume pas	Vérifiez le fonctionnement du moteur/ventilateur.	ATTENTION: Ne pas toucher le ventilateur lors de l'accomplissement de ce test, car le moteur peut s'allumer. Pour tester le moteur, ALLUMER l'appareil et ALLUMER tous les cadrans complètement. Tourner le châssis et insérez-un doigt dans l'onglet où la tige du flotteur est censé aller. Si le ventilateur se met en marche, le ventilateur et le moteur fonctionnent correctement.

PROBLÈME	CAUSE PROBABLE	SOLUTION
L'eau ne se vide pas dans le réservoir	Bouteille d'eau mal positionnée.	Débranchez l'appareil. Retirez la bouteille d'eau et remonter sans bouteille d'eau. Allumez et voir si le ventilateur s'allume. Si c'est le cas, remplacer une bouteille d'eau et continuer l'opération.
	Si l'appareil est trop chaud, le fusible de détection de température du moteur-peut être déclenché.	Prenez l'unité à une station de service autorisée. N'ESSAYEZ PAS d'effectuer des réparations électriques vous-même
Manque d'humidité.	La mèche est vieille et inefficace. L'hygrostat n'est pas suffisamment élevé	Remplacer la mèche en cas de colmatage ou durcissement avec des minéraux. Augmenter l'humidité sur le panneau de contrôle.
Trop d'humidité. (la condensation devient lourde sur les surfaces froides dans la chambre)	L'hygrostat est réglé trop haut.	Réduire ou augmenter la température ambiante.
Fuite d'eau	Le réservoir d'eau peut avoir été surchargé. Ou la bouteille peut libérer trop d'eau.	NE PAS TROP remplir la bouteille et le réservoir. NE PAS perforez la bouteille pour faire la vidange plus vite.
Mauvaises odeurs	Des bactéries peuvent être présentes	Nettoyer et désinfecter en suivant les instructions de Soins et d'entretien. Ajouter le traitement pour bactéries Essick, selon les instructions sur la bouteille. Il peut être nécessaire de remplacer la mèche si l'odeur persiste.
Le message « CF » ne s'affiche pas même lorsque la mèche est sale ou les performances de l'humidificateur est nettement réduite.	Une panne de courant a causé le message FC pour réinitialiser prématurément	Remplacer la mèche.
L'affichage numérique clignote ou le ventilateur se déplace légèrement quand l'humidificateur est branché.	• Normal	Aucune action n'est requise.
Affichage alterné de la lettre « F » et du % d'humidité de la pièce.	Le réservoir est vide. Le flotteur est n'active pas l'interrupteur	Remplissez l'humidificateur d'eau. Repositionner châssis de manière à flotter et le commutateur sont alignés
Affichage alterné des lettres « CF » et du % d'humidité de la pièce.	Le filtre peut être sale.	Remplacez le filtre. Débranchez l'appareil pendant 30 secondes et rebranchez-le. Veiller à flotteur n'est pas abîmée.

PIÈCES DE REMPLACEMENT



Num. Clé	Numéro de Pièce	Description	Quantité
1	4V5096101 BLK	Bouteille couvercles de couverture	2
2	1B72344	Châssis	1
3	1B71676	Retenue de la tige du flotteur	2
4	1B71674	La tige du flotteur	2
5	1B71675	Flotteur Styrofoam	1
6	1B5060120	Bouteille d'eau	1
7	1B5060000	Ensemble de bouchon	1
8	1045	Mèche	1
9	1051	Filter a air (optionnel: Vendu séparément)	2
10	1B5060140	Tuyau de remplissage	1
11	1B5460070	Roulettes	4
12	1B72893	Manuel (non représentés)	1

Pour commander des pièces, appelez 1-800-547-3888, ou visitez: <http://store.essickair.com>. Ou www.AIRCAREproducts.com.

GARANTIE LIMITÉE À DEUX ANS

FACTURE REQUISE COMME PREUVE D'ACHAT POUR TOUTE RÉCLAMATION VISANT À FAIRE VALOIR LA GARANTIE.

Cette garantie est accordée uniquement à l'acheteur original du présent humidificateur lorsque l'appareil est installé et utilisé dans des conditions normales, contre les défauts de matériaux et de fabrication comme suit:

- Deux (2) ans à compter de la date de vente de l'appareil, et
- Trente (30) jours sur les mèches et filtres, qui sont considérés comme des éléments jetables et doivent être remplacés périodiquement.

Le fabricant remplacera la pièce/le produit défectueux, à sa discrétion, en prenant à sa charge les frais de transport pour le renvoi du produit au client. Il est convenu qu'un tel remplacement est le seul recours offert par le fabricant et que, **DANS LA MESURE MAXIMALE AUTORISÉE PAR LA LOI, LE FABRICANT NE SAURAIT ÊTRE TENU RESPONSABLE DE DOMMAGES QUELCONQUES, Y COMPRIS DES DOMMAGES ACCESSOIRES OU SECONDAIRES, OU DES PERTES DE BÉNÉFICES OU DE REVENUS.**

Certains États ne permettent pas de limitations concernant la durée des garanties tacites, aussi les limitations ci-dessus peuvent-elles ne pas vous concerner.

Exclusions de cette garantie

Nous n'assumons pas la responsabilité du remplacement des mèches et des filtres.

Nous n'assumons pas la responsabilité des garnitures qui sont considérées comme jetables et doivent être remplacées périodiquement.

Les modifications comprennent la substitution d'éléments de marque, y compris, mais sans s'y limiter, les mèches d'humidificateur et le traitement des bactéries.

Nous n'assumons pas la responsabilité de tout dommage résultant de l'utilisation d'adoucisseurs d'eau ou de traitements, de produits chimiques ou de matériaux de détartrage.

Nous n'assumons pas la responsabilité du coût des appels au service en vue de diagnostiquer la cause du problème, ni les frais de main-d'oeuvre pour la réparation ou de remplacement des pièces.

Aucun employé, agent, revendeur ni autre personne n'est autorisé à accorder des garanties ou des conditions au nom du fabricant. Le client devra assumer tous les coûts de main-d'oeuvre engagés.

Cette garantie sera considérée nulle et non avenue si l'acheteur tente de réparer ou remplacer des pièces mécaniques ou électriques.

Certains états n'autorisent pas l'exclusion ou la limitation de responsabilité pour les dommages fortuits ou consécutifs, aussi les limitations ou exclusions ci-dessus peuvent-elles ne pas vous concerner.

Comment obtenir le service découlant de cette garantie

Dans les limites de cette garantie, l'acheteur en possession d'un appareil défectueux doit prendre contact avec le service client au **800-547-3888** pour obtenir des instructions sur la façon d'obtenir des pièces de rechange dans le cadre de la garantie comme indiqué ci-dessus.

Cette garantie confère des droits spécifiques au client et ce dernier peut également jouir d'autres droits en fonction de la province ou de l'État dans lequel il réside .

Veillez enregistrer votre produit sur www.essickair.com ou www.AIRCAREproducts.com.

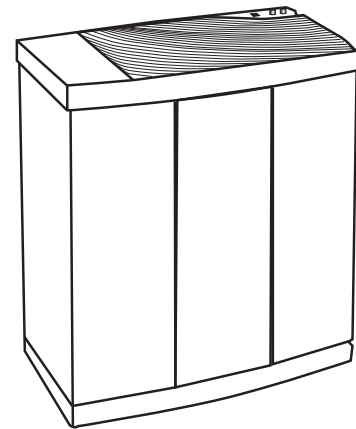
LEA Y GUARDE ESTAS INSTRUCCIONES

AIRCARE®

CONSOLE HUMIDIFICADOR POR EVAPORACIÓN

H12 SERIE GUÍA DE USO Y CUIDADO

- ▶ Humidistato ajustable
- ▶ Ventilador de 4 velocidades
- ▶ Botella de llenado fácil



**H12300HB;
H12400HB**

Anglais1
Français.....13

PARA ADQUIRIR PIEZAS Y ACCESORIOS LLAME AL 1.800.547.3888

LA COMODIDAD ESTÁ EN EL AIRE

PAUTAS IMPORTANTES DE SEGURIDAD

LEA ESTO ANTES DE USAR SU HUMIDIFICADOR

Instrucciones generales de seguridad

LEER ANTES DE USAR SU HUMIDIFICADOR

PELIGRO: significa que si no se respeta la información de seguridad, alguien puede resultar seriamente herido o muerto.

ADVERTENCIA: significa que si no se respeta la información de seguridad, alguien podría resultar seriamente herido o muerto.

PRECAUCIÓN: significa que si no se respeta la información de seguridad, alguien puede resultar herido.

1. Para reducir el riesgo de incendio o descarga eléctrica, este humidificador posee un enchufe polarizado (una espiga es más ancha que la otra). Enchufe el humidificador directamente a un tomacorriente eléctrico de 120 V de CA. No utilice extensiones. Si el enchufe no encaja completamente en el tomacorriente, inviértalo. Si aún así no encaja, contacte a un electricista calificado para que instale el tomacorriente adecuado. No cambie el enchufe de ninguna manera..
2. Mantenga el cable fuera de las áreas de tránsito. Para reducir el riesgo de peligro de incendio, nunca coloque el cable debajo de alfombras, cerca de fuentes de calor, radiadores, cocinas o calentadores.
3. Siempre desenchufe el humidificador antes de moverlo, antes de limpiarlo o cada vez que el humidificador no esté funcionando.
4. Mantenga el humidificador limpio.
5. No coloque objetos extraños dentro del humidificador.
6. No permita que la unidad se utilice como un juguete. Se debe prestar atención cuando lo utilizan niños o cuando se lo utiliza cerca de niños
7. Para reducir el riesgo de peligro eléctrico o daño al humidificador, no lo mueva, sacuda ni incline mientras la unidad esté en funcionamiento.
8. Para reducir el riesgo de descargas eléctricas accidentales, no toque el cable ni los controles con las manos húmedas.
9. Para reducir el riesgo de incendio, no lo utilice cerca de una fuente de fuego abierta, como una vela u otra fuente.

PRECAUCIÓN: Nunca utilice su humidificador cuando le falte una parte o una parte esté dañada en alguna forma.

PRECAUCIÓN Para reducir el riesgo de incendio, descarga eléctrica o daños, siempre desconecte la unidad antes de realizar el mantenimiento o la limpieza.

PRECAUCIÓN: Para reducir el riesgo de incendio o electrocución, no vierta ni derrame agua sobre la zona del motor o del control. Si se mojan los controles, déjelos secar completamente y haga revisar la unidad por personal de mantenimiento autorizado antes de conectarla.

INTRODUCCIÓN

Su humidificador por evaporación añade humedad invisible a su hogar desplazando aire seco a través de una mecha saturada. A medida que el aire atraviesa la mecha, el agua se evapora en el aire, dejando atrás polvo blanco, minerales o sólidos disueltos o suspendidos. Dado que el agua se evapora, no hay niebla o rocío problemáticos, simplemente aire húmedo limpio e invisible.

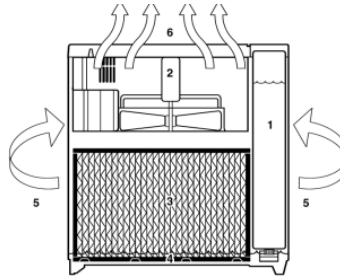
A medida que la mecha de evaporación atrapa los minerales acumulados en el agua, se reduce su capacidad de absorber y evaporar agua. Se recomienda cambiar la mecha al comienzo de la estación. En áreas de aguas duras, deberá reemplazarla con más frecuencia para mantener la eficiencia de su humidificador.

Solo utilice mechas de repuesto y químicos de la marca Essick Air. Para solicitar piezas, mechas y químicos llame al 1-800-547-3888. Esta unidad utiliza mecha el número de pieza 1045. Solo la mecha de evaporación de AIRCARE® o Essick Air® garantiza el rendimiento certificado de su humidificador. El uso de mechas que no son de la marca AIRCARE® o Essick Air® puede anular su garantía y la certificación de rendimiento y puede reducir la eficiencia de su humidificador.

CÓMO FUNCIONA SU HUMIDIFICADOR

REFERENCIAS:

1. Botella de agua
2. Chasis/unidad de fuerza (conjunto del motor/ventilador)
3. Filtro/mecha evaporador
4. Depósito de agua
5. Entrada de aire ambiental seco
6. Salida del aire húmedo



Una vez que la mecha se satura, el aire es aspirado en, pasa a través de la mecha y la humedad es absorbida en el aire.

Todos evaporación se produce en el humidificador por lo que cualquier residuo permanece en la mecha. este proceso natural de evaporación no crea polvo blanco como algunos otros humidificadores.

El aire seco entra al humidificador por la parte trasera y se humidifica a medida que pasa por el filtro/mecha evaporador. Después se expulsa al ambiente por medio del ventilador.

* Basado en una superficie con construcción apretada o promedio construcción y una altura de cielorraso de 8 pies

DESCRIPCIÓN	
Capacidad de la tanque de humidificador	5.4 galones
Cobertura en pies cuadrados*	Hasta 3000+ Construcción hermética
Velocidades del ventilador	4
Meche de reemplazo	1045
Humidistato ajustable	Si
Apagado automático	Si
Indicación de recarga	Si
Controles	Analógica con lectura digital
Ruedas	Si (4)
Registrado por ETL	Si
Voltios	120
Hertz	60
Watts	80

* Basado en una superficie con aislamiento promedio y una altura de cielorraso de 8 pies.

ENSAMBLAJE

CÓMO DESEMPAQUETAR E INSTALAR LA UNIDAD

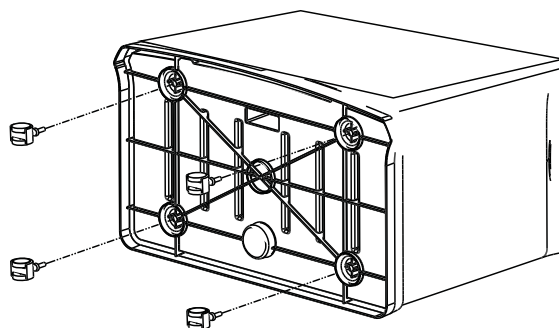
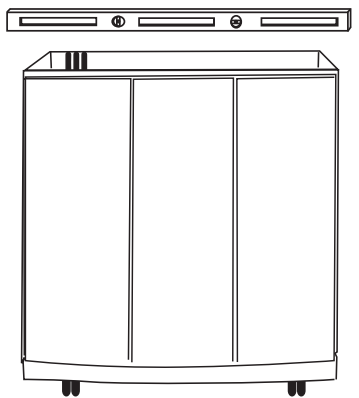
1. Retirar los dos insertos de la parte superior del humidificador.
2. Abrir las tapas de la botella de agua. Sacar las botellas de agua, levantar y sacar el chasis/unidad de fuerza y después sacar el gabinete del humidificador de la caja.
3. Sacar el filtro/mecha evaporadora y todos los demás materiales de embalaje del gabinete. Cerciorarse de haber sacado todas las partes siguientes de las cajas, el kit de accesorios y el gabinete antes de deshacerse de los embalajes:

- ◆ Manguera de llenado
- ◆ Kit de ruedas
- ◆ Muestra de tratamiento bactericida

- ◆ Filtro/mecha evaporador
- ◆ Botellade agua con tapa
- ◆ Manual
- ◆ Flotador, varilla del flotador y retenedor

RUEDAS

4. Con el acceso a la parte inferior del armario, insertar cada uno de los ejes de las ruedas en cada ángulo del fondo del humidificador. Las ruedas deben encajar bien justas y se deben insertar hasta que el tope del eje llegue a la superficie del gabinete. Poner el gabinete en pie.

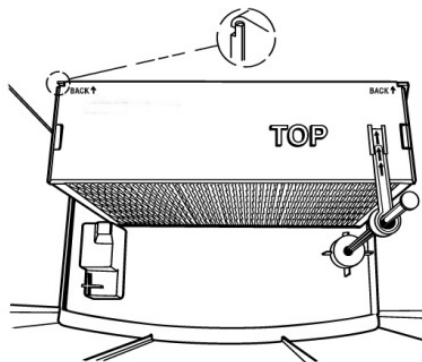
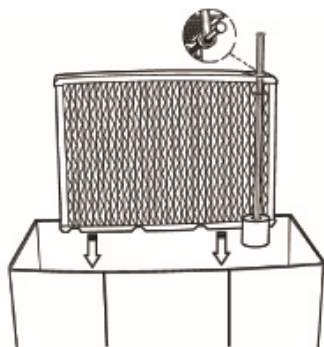


OBSERVACIÓN:

Para asegurarse de que la botella se vacía correctamente, utilice un nivel de burbuja para verificar el gabinete del humidificador se coloca sobre una superficie nivelada.

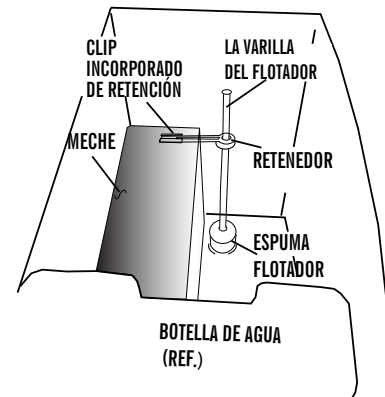
FILTRO/MECHA EVAPORADOR

1. Cuando se recoloca el filtro/mecha en el humidificador, también se debe recolocar el conjunto de varilla y flotador. Insertar la parte superior de la varilla del flotador en el agujero del retenedor del filtro/mecha (en la parte superior de la estructura del filtro/mecha).



- Manteniendo el flotador en su lugar, bajar el filtro/mecha y el conjunto del flotador al mismo tiempo hacia el interior del gabinete. El filtro/mecha tiene una nervadura de montaje en el ángulo superior que se encaja en la nervadura de la parte interna trasera del gabinete

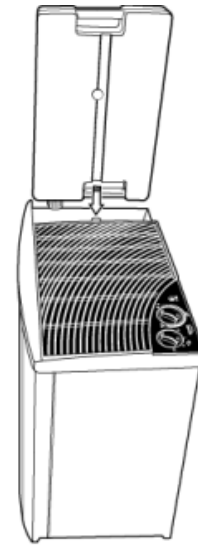
OBSERVACIÓN: El retenedor de la varilla del flotador debe extenderse antes de insertarse. El flotador blanco debe colocarse dentro del encaje del fondo del gabinete.



INFORMACIÓN DE LLENADO

ADVERTENCIA: Para reducir la posibilidad de una descarga eléctrica, asegúrese que el panel de control se mantiene seco mientras que la unidad de llenado.

- Su humidificador está equipado con una botella de agua. Su humidificador viene con una manguera que se adapta a la mayoría de los grifos. Llenar la botella con agua limpia fría (de preferencia sin ablandar). Si sólo tiene agua blanda en su casa, puede usarla, pero notará una acumulación más rápida de minerales en las mecha vaporizadora.
- Para obtener un tiempo de funcionamiento ideal, llenar la botella de agua, apretar la tapa y colocarla dentro de la unidad. La botella vaciará hasta llenar el depósito. Retire y vuelva a llenar la botella.
- Colocar la botella de agua dentro del lado izquierdo del humidificador con la punta de la tapa de la válvula hacia abajo, de forma que la ranura de la botella de agua quede hacia adentro. Reponer la tapa de la botella de agua.



PRECAUCIÓN: Al llenar las botellas, tener cuidado de no causar presión llenándola demasiado. Esto puede dañar la botella y no se vaciará adecuadamente.

OBSERVACIÓN:

El depósito se llenará en 20 minutos la primera vez que lo haga, porque la mecha seca debe absorber el agua. Los siguientes llenados tardarán cerca de 12 minutos, debido a que la mecha ya está saturada.

PRECAUCIÓN

Utilice solamente la EPA registró bacteriostato. **En ninguna circunstancia debe usted usar productos de tratamiento de agua diseñados para humidificadores de rotocorrea o ultrasónicos.**

OBSERVACIÓN:

Se recomienda utilizar el Tratamiento Antibacteriano AIRCARE® o Essick Air® cuando rellene el depósito de agua para eliminar el desarrollo de bacterias. Esto está disponible para su compra llamando al 1-800-547-3888. Añada el bactericida según las instrucciones del envase.

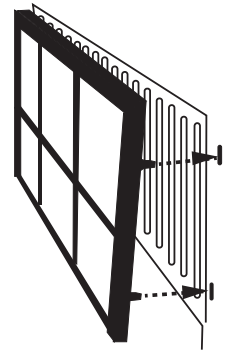
- Cuando la botella de agua y el depósito estén vacíos, el ventilador del humidificador parará automáticamente, pero volverá a trabajar automáticamente cuando se llenen la botella y el depósito de agua.

CHASIS/UNIDAD DE FUERZA

Colocar el chasis/unidad de fuerza dentro del gabinete de forma que se encaje sin inclinarse o sacudirse.

**OPCIONAL FILTRO DE LIMPIEZA DE AIRE
(se vende por separado)**

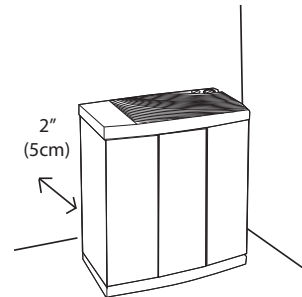
Si está disponible, instalar el filtro de air AIRCARE® 1051 en la parte trasera de la unidad. El filtro tiene lengüetas que se encajan en cuatro ranuras que permiten el montaje del filtro AIRCARE® por afuera de la parte trasera del gabinete. Consulte la página 32 para más información sobre el filtro AIRCARE.



NOTAS SOBRE LA UBICACIÓN:

Con el fin de conseguir un uso más efectivo del humidificador, es importante colocar la unidad donde se requiera la mayor cantidad de humedad o en el lugar de la casa donde circulará la mayor cantidad de aire; por ejemplo, cerca de un retorno de aire frío. Si la unidad se coloca cerca de una ventana, puede formarse condensación en el cristal de la ventana. Si esto sucede, se debe colocar la unidad en otro lugar.

Coloque el humidificador en una superficie plana y nivelada. NO sitúe la unidad directamente delante de un conducto de aire caliente o radiador. Si se coloca en la alfombra, utilice almohadillas para ruedas para asegurar la colocación de nivel. Debido a que el humidificador emite aire frío y húmedo, se recomienda orientar la dirección del aire lejos del termostato y de las rejillas de aire caliente.



Asegúrese de que el higrostat, que se encuentra en el cable de alimentación está libre de obstrucción y lejos de cualquier fuente de aire caliente.

ACERCA DE LA HUMEDAD

El punto en el que ajuste los niveles de humedad deseados depende de su nivel de comodidad personal, la temperatura exterior y la temperatura interior.

NOTA: Pruebas recientes de los CDC muestran que las posibilidades de transmisión de la gripe se reducen en gran medida a niveles de 43% de humedad.

Es posible que desee comprar un higrómetro para medir el nivel de humedad en su hogar. El siguiente es un diagrama de ajustes de humedad recomendados.

IMPORTANTE: El agua puede producir daños si comienza a formarse condensación en ventanas o paredes. Debe disminuirse el punto de AJUSTE de la humedad hasta que ya no se forme condensación. Se recomienda que los niveles de humedad de la habitación no excedan el 50%.

* Cuando la temperatura exterior es de:		La humedad relativa (HR) interior recomendada es del
°F	°C	
-20	-30°	15 - 20%
-10°	-24°	20 - 25%
2°	-18°	25 - 30%
10°	-12°	30 - 35%
20°	-6°	35 - 40%
30°	-1°	40 - 45%

* o mayor

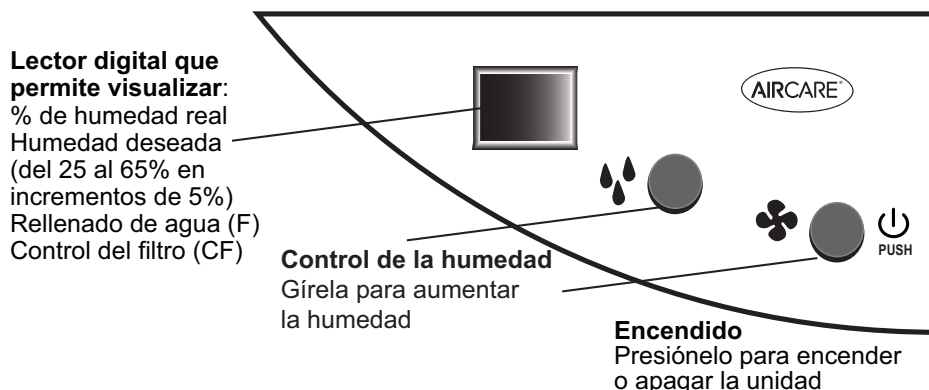
* Modelo 1990 higrómetro digital está disponible para su compra llamando al 1-800-547-3888.

NOTA: Las lecturas del higrómetro externos y lecturas humidistato pueden ser diferentes. Los niveles de humedad pueden variar significativamente, incluso en una habitación.

CONTROLES Y FUNCIONAMIENTO

Esta unidad cuenta con un panel de control híbrido con perillas de ajuste y una pantalla digital para controlar la humedad y la configuración del ventilador.

1. Conecte el enchufe en un tomacorriente de pared. Su humidificador ya está listo para ser utilizado.
2. Presione la perilla inferior para encender la unidad.



VELOCIDAD DEL VENTILADOR:

3. Gire la perilla de velocidad del ventilador en el sentido de las agujas del reloj para aumentar la velocidad del ventilador. Los ajustes de 4 velocidad aparecerán en el visualizador de LED.

OBSERVACIÓN: Cuando haya condensación excesiva, se recomienda usar una velocidad más baja.

CONTROL DE HUMEDAD

NOTA: Permita de 10 a 15 minutos para que el higróstico se acostumbren a la habitación cuando la configuración de la unidad por primera vez.

NOTA: OBSERVACIÓN: Cada modelo presenta un humidistato automático con ajustes del 25 al 65%. El humidistato encenderá el humidificador cuando la humedad en el hogar sea inferior al ajuste del humidistato y apagará el humidificador cuando la humedad alcance el ajuste que figura en el humidistato. Cuando se lo regula a 65%, el humidificador funcionará de forma continua.

- 1) Presione la flecha hacia arriba o hacia abajo en la sección HUMIDITY SET (AJUSTE DE LA HUMEDAD) del panel para ajustar el nivel de humedad en incrementos del 5%. A un punto de ajuste del 65%, la unidad funcionará de manera continua.

PANTALLA DEL PANEL DE CONTROL

Varias funciones del humidificador pueden ser monitoreados a través de la pantalla LED en el panel de control.

RELLENAR INDICACIÓN

- 2) Primero se debe vaciar una botella. Cuando la unidad se encuentre completamente sin agua, aparecerá una F en el control y el motor se apagará. Después del rellenado, la unidad volverá a iniciarse automáticamente.

INDICACIÓN DE FILTRO

La capacidad de cualquier humidificador para suministrar de manera eficiente humedad depende en gran medida de la condición del filtro. A medida que el filtro se carga con impurezas, pierde gradualmente su capacidad de mecha. Cuando esto ocurre, la producción de humedad se reduce y el humidificador tiene que trabajar más tiempo para satisfacer el ajuste seleccionado.

- 3) Este humidificador posee un recordatorio de control de filtro programado para dar aviso después de 720 horas de funcionamiento. Cuando el mensaje de control del filtro (CF) aparezca en el visualizador, desconecte el cable de alimentación y controle el estado del filtro. La función CF vuelve a cero luego de conectar la unidad nuevamente.



FILTRO AIRCARE® (Se vende por separado)

El filtro aéreo AIRCARE® es una excelente manera de limpiar el aire mientras utiliza el humidificador. La primera etapa del filtro de aire es un filtro electrostático de alta eficiencia, que atrapa polvo, polen y contaminantes del aire. La segunda etapa es un dispositivo de carbón activado que absorbe los olores de la cocina, de animales domésticos y el humo de tabaco.

Recomendamos cambiar el filtro AIRCARE® por lo menos una vez por año y más frecuentemente en caso de necesidad. Cuando el filtro blanco esté cubierto de una capa de polvo y suciedad, se debe cambiar el filtro. La capacidad de salida de agua certificada de su humidificador se reducirá cuando use el filtro AIRCARE®. Los filtros AIRCARE® son opcionales y no son necesarios para el funcionamiento normal del humidificador. El 1051 está disponible para su compra llamando al 1-800-547-3888.

CUIDADOS Y MANTENIMIENTO

PRECAUCIÓN: Desenchufar la unidad antes de limpiarla o efectuar reparaciones en ella. Siempre mantener la rejilla seca.

Limpiar su humidificador regularmente ayuda a reducir olores y el crecimiento de bacterias y hongos. El blanqueador doméstico común es un buen desinfectante y se puede usar para repasar la base del humidificador y la botella/depósito después de limpiarlos.

Recomendamos limpiar su humidificador por lo menos una vez cada dos semanas para mantener las condiciones ambientales ideales en su hogar.

También recomendamos usar el Tratamiento Antibacteriano Essick Air cada vez que rellene su humidificador para eliminar el crecimiento bacteriano. Añadir el bactericida de acuerdo a las instrucciones del embalaje. Para encomendar el Tratamiento Antibacteriano (Nº 1970), llame al 1-800-547-3888.

- 1) Apagar la unidad completamente girando el botón hacia la izquierda y desenchufarla del tomacorriente.
- 2) Levantar y sacar la botella de agua y la unidad de fuerza.
- 3) Llevar la botella y la base para la limpieza en la pileta. Levantar el filtro/mecha con el conjunto del flotador de la base, dejando drenar el agua y retirar el conjunto del flotador del filtro/mecha. Enjuagar la mecha solamente con agua limpia. No usar jabón, detergente o cualquier otro producto de limpieza en la mecha. Dejarla escurrir en la pileta.

REMOCIÓN DE SARRO

- 4) Vaciar el agua del depósito y de la botella de agua. Llenar el depósito y la botella hasta la mitad con agua y añadirle 8 Oz. (1 taza) de vinagre blanco a cada uno. Dejar reposar durante 20 minutos. Después vaciarlo.
- 5) Humedecer un paño suave con vinagre blanco y frotar el depósito para retirar el sarro. Enjuagar la botella de agua y el depósito cuidadosamente con agua limpia para remover el sarro y la solución de limpieza antes de desinfectarlos.

DESINFECCIÓN DE LA UNIDAD

- 6) Llenar la botella de agua y el depósito con agua hasta la mitad y agregarle una cucharadita de té de blanqueador a cada uno. Humedecer todas las superficies de la botella de agua y del gabinete. Dejar reposar la solución durante 20 minutos, después enjuagar con agua hasta que el olor a blanqueador se haya ido. Secar con un paño limpio. Se puede repasar la parte de afuera de la unidad y la botella de agua con un paño humedecido en agua limpia.
- 7) Rellenar la unidad y reensamblarla de acuerdo a las instrucciones de ENSAMBLAJE.

ALMACENAMIENTO DURANTE EL VERANO

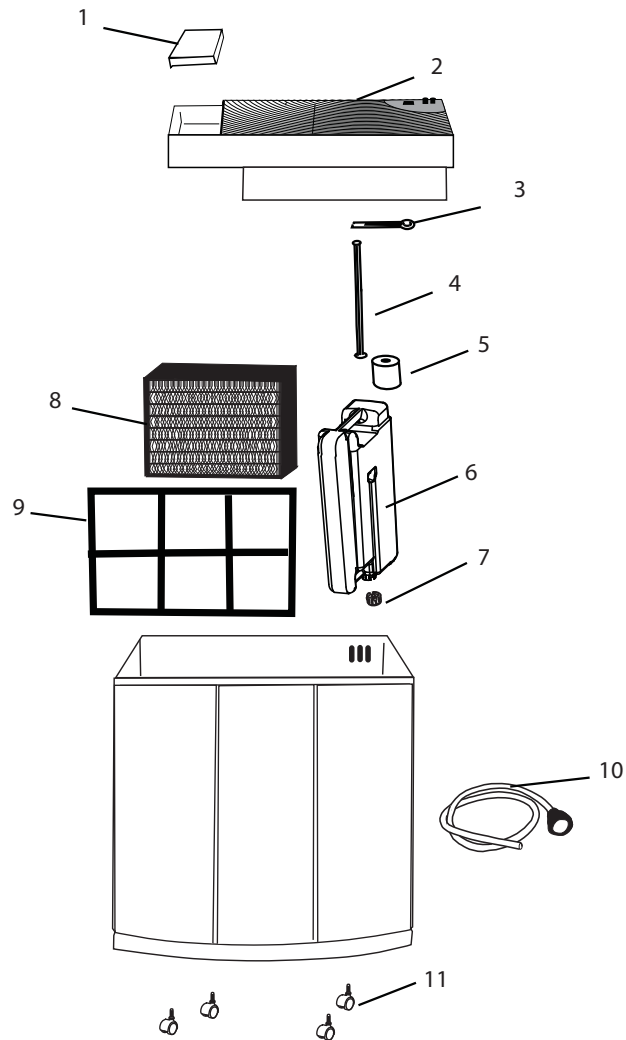
- 1) Limpiar la unidad como se describe en la sección Cuidados y Mantenimiento.
- 2) Desechar los filtros/mecha usados y el agua que pueda quedar en el depósito o botella y dejar secar bien el gabinete antes de guardarlo. No guardarlo con agua dentro del depósito o botella.
- 3) No almacenar la unidad en sótanos o áreas con alta temperatura, que se produzcan daños.
- 4) Instalar un nuevo filtro al comienzo de la temporada.

SOLUCIÓN DE PROBLEMAS

Problema	Causa probable	Solución
La unidad no funciona en ninguno de los ajustes de velocidad.	No hay corriente eléctrica en la unidad.	Asegúrese de que el enchufe polarizado está completamente insertado en el tomacorriente de la pared.
	La unidad se quedó sin agua (el ventilador no funcionará si no hay presencia de agua).	Rellene el envase de agua.
	Funcionamiento del repuesto del interruptor/posicionamiento inadecuado del conjunto del flotador.	Asegúrese de que el ensamblaje del flotador está posicionado correctamente, según se describe en las "Instrucciones de llenado importantes", en la página 28.
El motor no enciende.	Verifique el funcionamiento del motor/ventilador.	ADVERTENCIA: No toque el ventilador cuando lleve a cabo esta prueba, ya que se puede encender el motor. Para probar el motor, enciéndalo y encienda todas las llaves completamente. Voltee el armazón e inserte un dedo en la lengüeta donde se supone que va la varilla del flotador. Si el ventilador se enciende, entonces el motor y el ventilador funcionan correctamente.

Problema	Causa probable	Solución
El agua no se escurre hacia el depósito.	El envase de agua no está colocado correctamente.	Desconecte la unidad. Retire el envase de agua y vuelva a armarla sin el envase de agua. Enciéndala y compruebe si el ventilador se enciende. De ser así, reemplace el envase de agua y continúe la operación.
	Si la unidad se sobrecalentó, el fusible detector de temperatura del motor se puede haber desconectado.	Lleve la unidad a un Centro de Servicio autorizado. NO INTENTE realizar reparaciones eléctricas por sí mismo.
No hay suficiente humedad.	La mecha es vieja y no funciona con eficacia. El humidistato no está establecido lo suficientemente alto.	Reemplace la mecha cuando esté obstruida o endurecida con minerales. Aumente el ajuste de humedad desde el panel de control.
Hay demasiada humedad. (la condensación se vuelve pesada en superficies de la habitación con pliegues).	El humidistato está establecido demasiado alto.	Reduzca el ajuste del humidistato o aumente la temperatura de la habitación.
Pérdida de agua.	El depósito de agua puede estar excesivamente lleno. O el envase puede estar arrojando mucha agua.	NO LLENE EN EXCESO el envase ni el depósito. NO perforo el envase para hacer que el agua se escurra más rápido.
Olor.	Puede haber presencia de bacterias.	Limpie y desinfecte el gabinete siguiendo las instrucciones de Mantenimiento y cuidado. Agregue el Tratamiento de bacterias Essick según las instrucciones del envase. Si el olor persiste, tal vez sea necesario reemplazar la mecha.
Se visualizan alternativamente "CF" y la humedad ambiente.	• El filtro podría estar sucio.	Cambie el filtro. Desenchufe la unidad durante 1-2 minutos y reajuste. Reenchúfela para borrar la pantalla.
Mensaje "CF" hace no aparece incluso cuando mecha está sucio o rendimiento humidificador se reduce claramente.	• Pérdida de potencia o un apagón ha causado el mensaje de CF a prematuramente restablecer.	Reemplace mecha.
La visualización parpadea o el ventilador se mueve ligeramente al enchufar el humidificador	• Normal.	No es necesario tomar medidas.
Se visualizan alternativamente "F" y la humedad ambiente.	• El depósito está vacío. • El flotador no está activando el interruptor	Llene el humidificador con agua. Vuelva a colocar el chasis para que float y el interruptor están alineados.
Se visualizan alternativamente "CF" y la humedad ambiente.	• El filtro podría estar sucio.	Cambie el filtro. Desenchufe la unidad durante 1-2 minutos y reajuste. Reenchúfela para borrar la pantalla.

LISTA DE PIEZAS DE REPUESTO



N.º DE ARTÍCULO	N.º DE PIEZA	DESCRIPCIÓN	QTY
1	4V5096101 BLK	Tapas de botellas de agua	2
2	1B72344	Chassis	1
3	1B71676	Retenedor de la varilla de flotador	2
4	1B71674	La varilla de flotador	2
5	1B71675	Flotador espuma de poliestireno	1
6	1B5060120	Botella de agua	1
7	1B5060000	Conjunto de la tapa de la botella	1
8	1045	Mecha	1
9	1051	Filtro aéreo (opcional - vende separado)	1
10	1B5060140	Manguera de llenado	1
11	1B5460070	Ruedas	4
12	1B72893	Manual (no mostrado)	1

Para pedir piezas, llame al 1-800-547-3888, o visite: <http://store.essickair.com> o www.AIRCAREproducts.com

POLÍTICA DE GARANTÍA LIMITADA DE DOS AÑOS

PARA CUALQUIER RECLAMO RELACIONADO CON LA GARANTÍA ES NECESARIO PRESENTAR EL RECIBO COMO PRUEBA DE COMPRA

Esta garantía se extiende solo al comprador original de este humidificador, siempre y cuando la unidad sea instalada y utilizada en condiciones normales, contra defectos de fabricación y materiales como se detalla a continuación:

- Dos (2) años a partir de la fecha de la venta de la unidad y
- Treinta (30) días para mechas y filtros, que se consideran componentes desechables y deben reemplazarse periódicamente.

El fabricante reemplazará la parte o producto defectuoso, según lo crea conveniente, y se hará cargo de los gastos de envío de la devolución al cliente. Se acuerda que el reemplazo es la única solución que el fabricante tiene disponible. ASIMISMO, HASTA EL GRADO MÁXIMO PERMITIDO POR LA LEY, EL FABRICANTE NO SE HACE RESPONSABLE POR LOS DAÑOS DE CUALQUIER TIPO, INCLUIDOS DAÑOS INCIDENTALES Y EMERGENTES, O LA PÉRDIDA DE GANANCIAS O INGRESOS.

Algunos estados no permiten limitaciones con respecto a cuánto tiempo dura una garantía implícita, por lo tanto es posible que las limitaciones detalladas anteriormente no se apliquen a usted.

Exclusiones de esta garantía

No nos responsabilizamos por el reemplazo de mecheros y filtros.

No nos responsabilizamos por cualquier tipo de daños accidentales o resultantes, producto de cualquier tipo de mal funcionamiento, accidente, mal uso, alteraciones, reparaciones no autorizadas, abuso, incluidos la falta de mantenimiento razonable, uso o desgaste normal, ni en situaciones donde el voltaje conectado sea un 5% mayor al indicado por la placa indicadora.

Las alteraciones que puede sufrir el producto incluyen la sustitución de componentes de marca, incluido, pero no limitado al tratamiento de bacterias y mechas del humidificador.

No nos responsabilizamos por cualquier daño provocado por el uso de suavizantes o tratamientos de agua, químicos o materiales de descalcificación.

No nos responsabilizamos por el costo de las llamadas al servicio para diagnosticar la causa del problema o el cargo de la mano de obra para reparar o reemplazar piezas.

Los empleados, agentes, distribuidores u otras personas no se encuentran autorizados a brindar garantías o condiciones en nombre del fabricante. El cliente será responsable por todos los costos de mano de obra incurridos.

Esta garantía quedará sin validez si el comprador intenta reparar o reemplazar cualquier pieza mecánica o eléctrica.

Algunos estados no permiten la exclusión o la limitación de daños incidentales o resultantes, por lo tanto es posible que las limitaciones o exclusiones detalladas anteriormente no se apliquen a usted.

Cómo obtener servicio bajo esta garantía

Dentro de las limitaciones de la presente garantía, el comprador que tenga unidades fuera de funcionamiento debe comunicarse con el servicio de atención al cliente al **800-547-3888** para obtener instrucciones sobre cómo obtener las piezas de repuesto dentro de la garantía, como se indica anteriormente..

Esta garantía le confiere al cliente derechos específicos. Además, el cliente puede gozar de otros derechos que varían según la provincia o el estado.

Registre su producto en www.essickair.com o www.AIRCAREproducts.com.

AIRCARE®

Essick Air Products
Little Rock, AR 72209