

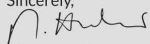
# Freezer Xtreme

## English Manual



Dear Customer,

The Freezer Xtreme is the power pack from the house of ARCTIC. With its ingenious double tower design, the CPU cooler is not only extremely quiet it also satisfies very power-hungry users. Enjoy your Freezer Xtreme and keep cool. We at ARCTIC will do our best to keep you satisfied.

Sincerely,  
  
 Magnus Huber  
 ARCTIC CEO

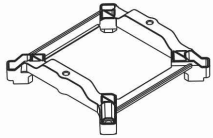
### Accessories

#### Intel®

Ⓐ Screws (M3, 12 mm) x 2

Ⓓ Mounting Plate x 1

Ⓑ Push Pins x 4

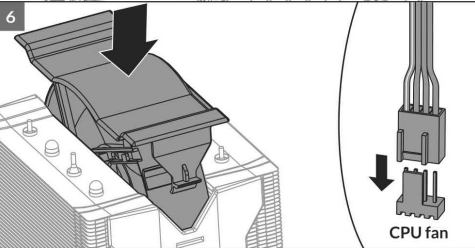
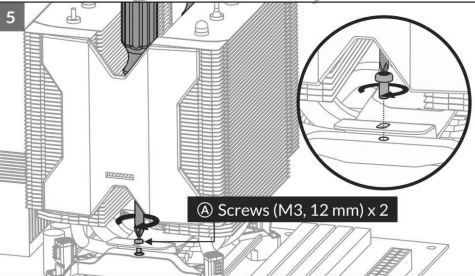
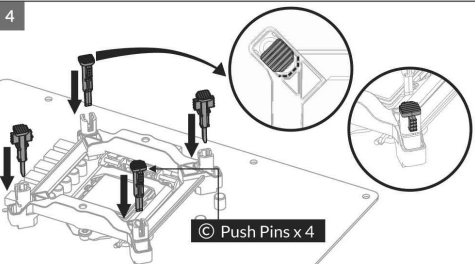
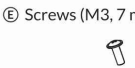


Ⓒ Push Pins x 4

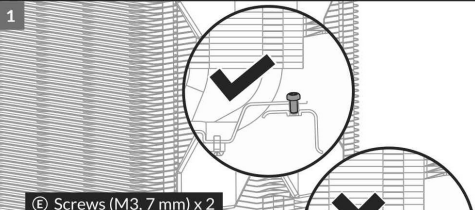
AMD®

Ⓔ Screws (M3, 7 mm) x 2

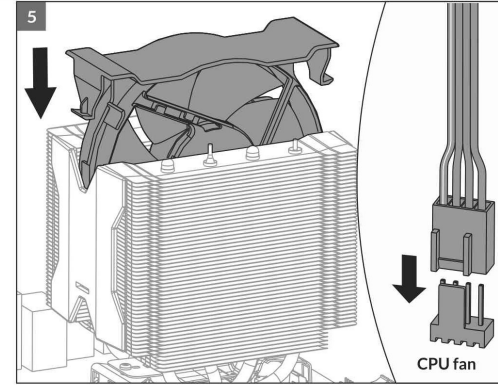
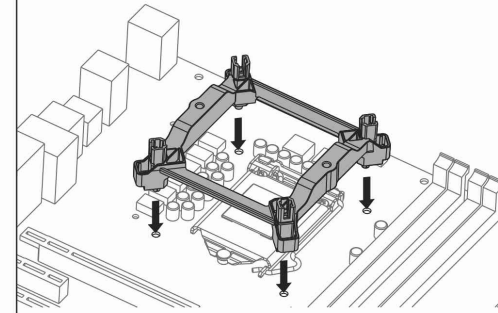
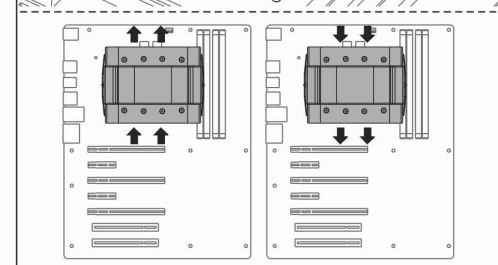
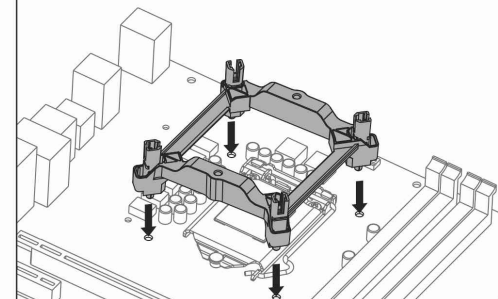
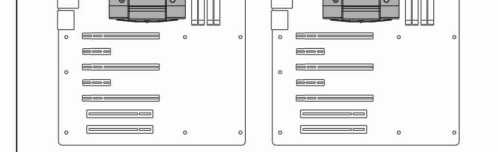
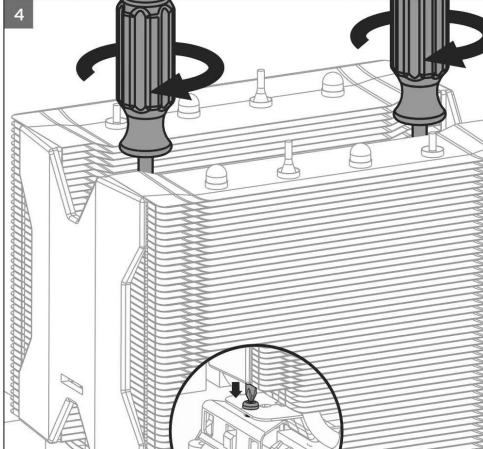
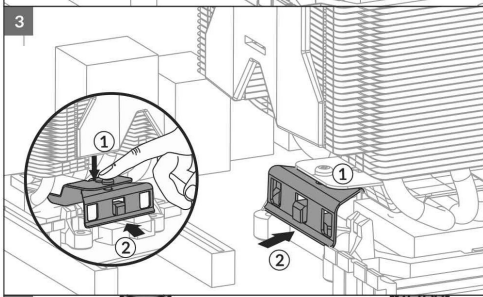
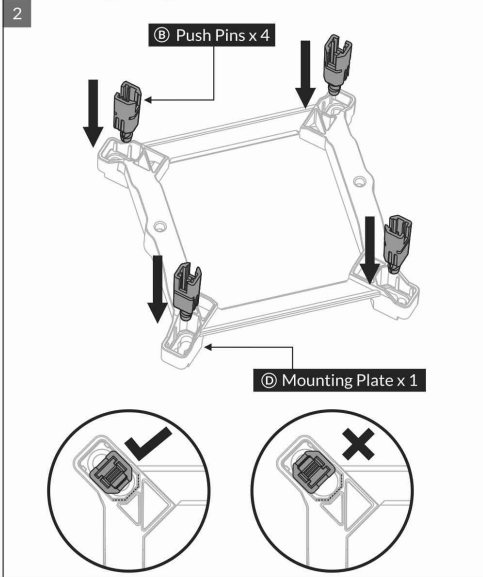
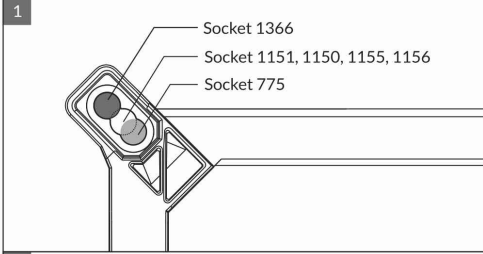
Ⓕ Lugs x 2



### For AMD® Sockets



### For Intel® Sockets



**Thermal Compound**  
 If the cooler has to be installed a second time, we highly recommend using the MX-2 thermal compound from ARCTIC. Only this compound guarantees optimal performance in combination with the surface of our heatsinks.

MX-2 is available at <http://www.arctic.ac/mx2>

**Warranty**  
 This ARCTIC product includes a six-year limited warranty. For further information, please visit <http://warranty.arctic.ac>

**CE** EC Declaration of Conformity  
 The Freezer Xtreme is compliant with all applicable CE Directives for this type of product. A detailed Declaration of Conformity is available on ARCTIC website: <http://fx.arctic.ac/support>

**RoHS** Directive 2002/96/EC about Waste of Electrical and Electronic Equipment (WEEE)  
 Waste of Electrical and Electronic Equipment must not be disposed of with domestic waste. If the device cannot be used anymore, the user is legally obliged to separate it from domestic waste and hand it over to a designated collection point of his community/district. Thereby it is guaranteed that the Waste of Electrical and Electronic Equipment is recycled properly and negative impacts for the environment are avoided.  
 Therefore, electronic devices are marked by this sign.

ARCTIC and the ARCTIC logo are registered trademarks of Boost Up International Limited.