

EMOTIVA®



BAS X

Subwoofer

User Manual

Important Safety Precautions and Explanation of Symbols



The exclamation point within an equilateral triangle is intended to alert the user to the presence of important installation, operation, and service instructions in this manual.



The lightning flash with arrowhead symbol within an equilateral triangle is intended to alert the user to the presence of uninsulated dangerous voltages within the enclosure that may be of sufficient magnitude to constitute a risk of electrical shock to the user.

Please read this manual thoroughly before attempting to install, configure, or operate the Emotiva BasX Subwoofer. After successful installation and configuration of the BasX Subwoofer, be sure to retain this manual in a safe place for future reference.

Safety is a key component to a long lasting and trouble free installation. Please read and follow all instructions and heed all warnings on the BasX Subwoofer and in this manual. The vast majority of the subsequent safety precautions are common sense. If you are not comfortable with the installation of audio/video entertainment equipment, you should seek the services of a qualified installation professional or call us for help.



WARNING: TO REDUCE THE RISK OF FIRE OR ELECTRIC SHOCK, DO NOT USE THE BASX SUBWOOFER NEAR WATER OR IN WET LOCATIONS, DO NOT EXPOSE IT TO RAIN OR MOISTURE, DO NOT EXPOSE IT TO DRIPPING OR SPLASHING FROM OTHER SOURCES, AND ENSURE THAT NO OBJECTS FILLED WITH LIQUIDS (SUCH AS VASES) ARE PLACED ON IT. DOING SO MAY RESULT IN DAMAGE TO THE UNIT AND THE RISK OF ELECTRIC SHOCK, WHICH MAY RESULT IN BODILY INJURY OR DEATH.



WARNING: TO REDUCE THE RISK OF ELECTRIC SHOCK, DO NOT REMOVE THE AMPLIFIER PLATE OR DRIVERS FROM THE BASX SUBWOOFER. THERE ARE NO USER-SERVICEABLE PARTS INSIDE THE UNIT. REFER ALL SERVICE TO QUALIFIED SERVICE PERSONNEL.

Do not install the BasX Subwoofer near or above any heat sources such as radiators, heating vents, or other apparatus' that produce heat. Do not block any ventilation openings or heat sinks. Avoid installing the unit directly above other heat-producing equipment unless sufficient ventilation or forced-air cooling is provided.

Do not install the BasX Subwoofer in locations without proper ventilation. The BasX Subwoofer should not be operated on a bed, sofa, rug, or similar surface that may block vents. The unit should not be installed in an enclosed location such as a bookcase, cabinet, or closed equipment rack unless sufficient forced-air ventilation is provided, and clearance should be maintained between the rear-mounted heat sinks and objects like drapes that may reduce ventilation.

Always install your BasX Subwoofer according to the manufacturer's instructions and only use attachments or accessories specified by the manufacturer.

Do not install the BasX Subwoofer on any stand, shelf, or other piece of furniture that is unable to support its weight. If a cart is used to move the unit, use caution to avoid injury from tip-over.

Connect the BasX Subwoofer only to power sources of the correct voltage (as shown in this manual and on the BasX Subwoofer unit).

Protect power supply cables from being pinched, walked on, or otherwise damaged. Be especially careful where the power cable enters the power outlet and the unit.

Only connect the BasX Subwoofer to an electrical outlet or extension cord of appropriate type and rating.

DO NOT defeat the safety purpose of a grounding or polarized plug by removing ground pins or using unsafe adapters. A polarized plug has two blades - one wider than the other. A grounding plug has a third ground prong in addition to the two main conductors. The wide blade or third grounding prong is provided for your safety. If the provided plug does not fit your outlet, consult an electrician to replace your obsolete outlet. If you replace the power cord, only use one of similar type and equal or greater current rating.

The power cable for the BasX Subwoofer should be unplugged from the outlet during severe electrical storms, or when unused for a long period of time.

Only replace the fuse(s) in the BasX Subwoofer with fuse(s) of proper value and voltage rating.

The BasX Subwoofer should only be cleaned as directed in the manual. Avoid spraying liquids directly onto the unit or drivers.

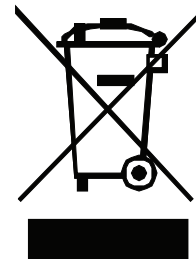


You should seek service for your BasX Subwoofer by qualified service personnel if any of the following occur:

1. The power-supply cord or the plug has been damaged.
2. Objects or liquid have fallen or spilled into the vents.
3. The unit has been exposed to rain.
4. The unit exhibits a marked change in performance.
5. The unit has been dropped, or its enclosure or chassis is damaged.

NOTE: TO COMPLETELY DISCONNECT THE BASX SUBWOOFER FROM THE AC POWER MAINS, DISCONNECT THE AC POWER CORD FROM THE AC RECEPTACLE.

NOTE: THE POWER CORD ON THE BASX SUBWOOFER MUST REMAIN READILY ACCESSIBLE AT ALL TIMES.





Emotiva BasX Subwoofers

Contents

Important Safety Precautions and Explanation of Symbols

Emotiva BasX Subwoofers.....	1
Introduction	3
About This Manual.....	4
Features	5
Unpacking.....	6
Quick Start	7
Setting The AC Line Voltage on Your BasX Subwoofer	7
BasX Subwoofer Controls	8
BasX S12.....	11
BasX S10.....	12
BasX S8	13
Subwoofer Placement and Configuration.....	14
Connections	16
Care and Maintenance	17
Emotiva Audio Corporation Three-Year Limited Warranty.....	18
Accessories	21
Notes.....	22

Introduction

Thank you for purchasing one of our new Emotiva BasX™ Subwoofers.

Our Emotiva BasX™ Subwoofers were designed to reproduce the lowest frequencies in the audio spectrum accurately and with exceptionally low distortion - even at high listening levels. This means that our BasX Subwoofers can deliver the dynamics and raw power you need to make a modern movie sound-track sound truly monumental, but still offer the precision and musicality you need to get the most from well recorded music. With our BasX Subwoofers, you don't have to compromise; you really can have it all.

Our BasX Subwoofers come in three models: the S8, the S10, and the S12. Each model includes a heavy duty high excursion bass driver, powered by a high-efficiency Class D amplifier, and offers controls that allow you to configure it to work perfectly in conjunction with your main speakers. The various models offer identical controls and similar features; the main difference is that the larger models can produce higher output levels, and their frequency response extends slightly lower.

The cabinets, which are quite compact for the performance they deliver, are built of heavy, acoustically inert MDF, and are covered in attractive yet practical textured vinyl. Sculpted removable grill cloths perfectly match the outline of the cabinets, and heavy duty integral feet provide support and minimize vibration. All controls and connections are conveniently located on the rear panel, which also provides cooling for the internal amplifiers.

We're very proud of our new BasX Subwoofers, and we hope you'll enjoy listening to them as much as we enjoyed designing and manufacturing them.

Happy listening!

The Emotiva Team

About This Manual

This manual will provide you with all the information you need to enable you to get great performance, accurate sound, and many years of reliable service from your BasX Subwoofer.

We suggest that you read through the entire manual; we kept things as short and direct as possible. Even if you're an expert user, you will probably find some interesting information and useful suggestions.

If you're really in a hurry to get started, please read the Quick Start section (on page 7); you may then read the remainder of the manual at your leisure.

You may wish to record serial numbers or other purchase information on the Notes page at the back of this manual.

Features

Our Emotiva BasX™ Subwoofers were designed to offer excellent performance and great sound quality; and they're also priced to fit perfectly into your budget. Their design and performance features were carefully chosen to appeal to both home theater buffs and audiophiles, with a choice of input options and operating modes well suited to a wide variety of applications, and the controls needed to perfectly match them to any system or room.

The following are a few of the feature highlights of our BasX Subwoofers:

- **High performance, compact size, and great sound** - all of our BasX Subwoofers offer excellent sound quality, low distortion, and high output in a relatively compact form factor.
- **8 inch, 10 inch, and 12 inch models to fit a wide variety of needs** - While all of our BasX Subwoofers offer the same combination of high output, low distortion, and precise sound delivery, not everyone has room for a full-sized subwoofer. That's why our BasX subs are available in three different models - 8 inch, 10 inch, and 12 inch - so you can choose the perfect fit for your room and your system.
- **Advanced long throw bass drivers** - with mineral filled injection molded polypropylene cones, large rubber roll surrounds, forced air cooling, and all copper voice coils with solid aluminum formers for excellent performance.
- **Carefully tunes ported cabinets** - allow our drivers to deliver plenty of output, while providing the precise control necessary to minimize distortion and deliver low frequencies with power and authority.
- **Heavy, acoustically inert MDF cabinets** - minimize vibration and ensure that you hear only the music and sound effects you're supposed to hear - with no contribution from the cabinet.
- **Tough yet attractive exterior** - our tough yet attractive vinyl covering protects the cabinets on our BasX subs from damage and fingerprints, and blends easily with your decor.
- **Removable grilles (on the S10 and S12)** - provide a convenient way to keep your technology under wraps, and are easily removed for cleaning - or for showing your BasX sub off to your audiophile friends.
- **Efficient Class D amplifiers** - offer the ideal combination of excellent sound quality, great long-term reliability, and high efficiency.
- **Useful Controls and Features** - The BasX subwoofers all include Volume, Phase, and Crossover controls so you can adjust them to integrate perfectly with your main speakers. They can be turned on manually, or set to turn on automatically when the music starts playing, and include advanced protection circuitry to prevent damage if you accidentally overdrive them.
- **Full three year warranty** - ensures that you'll be able to enjoy your BasX subs for years to come.

You can find more information about the Emotiva BasX subwoofers on our website at www.emotiva.com.

Unpacking

Your BasX subwoofer was carefully packed and should reach you in perfect condition. If you notice any shipping damage or other issues when you unpack it, please contact Emotiva immediately.

Gently remove your BasX subwoofer from the packing carton and remove all wrappings and shipping material. Avoid pressing directly on the front of the drivers or dropping any bits of packing material into the port opening.

It is important to save the box and all packing materials in case your BasX subwoofer ever needs to be moved or shipped back to the factory for service.

Please keep your sales receipt in a safe place. It is the easiest way to verify your purchase date for warranty purposes, and may also be required if you ever have to file an insurance claim.

We truly value customer feedback and would like to hear from you.

Quick Start

To get the most from your BasX subwoofer, we urge you to read the entire manual. If you just can't wait to hear how great your BasX sub sounds, this section will cover the basics you need to get started.

- Find a secure location for your BasX subwoofer.
- Make sure your BasX sub is set for the proper line voltage for your area.
- Connect your BasX sub to the LFE or subwoofer output on your AVR or pre/pro.
- Configure your AVR or pre/pro to expect a subwoofer.
- Find some music you *really* like to listen to.
- Enjoy!

While you're enjoying your BasX sub, it would be a great time to read the rest of the manual to learn more about them.

Setting The AC Line Voltage on Your BasX Subwoofer

If you ordered your BasX subwoofer directly from Emotiva, it should already be set for the correct line voltage for your area. However, we always recommend confirming the correct setting before plugging in your BasX sub. If you move to a different country, or a different region, with a different line voltage, you **MUST** change the Line Voltage setting on your BasX sub to the correct line voltage.

Note: Attempting to operate your BasX subwoofer with the Line Voltage Selector Switch set to the wrong voltage for your area may result in damage to your BasX subwoofer.

In order to change the line voltage on your BasX sub, there are two changes which must be made.

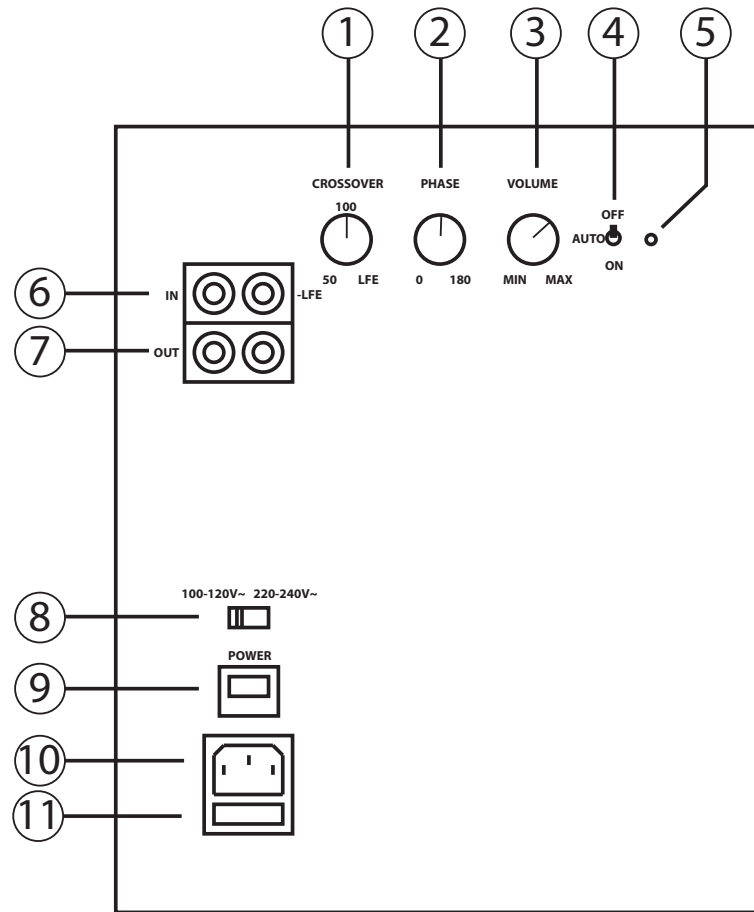
- 1) Change the setting on the Line Voltage Selector Switch on the rear of the unit to the correct voltage for your area.
- 2) Change the fuse to the appropriate value for that line voltage

Note:

See pages 9 and 10 for the location of the Line Voltage Selector Switch and Fuse Holder.

See pages 11 through 13 for the correct fuse value for the model of BasX subwoofer you have.

BasX Subwoofer Controls



All of the controls and input connections on the BasX S8, S10, and S12 are on the rear panel. All three models offer the same input and control options.

1. Crossover Control

BasX subwoofers include a built-in 12 dB/octave crossover (low pass filter). This control allows you to adjust the crossover frequency for the best match with your main speakers. If you're using your BasX sub with a home theater pre/pro or AVR that has its own bass management, you should set this control to the LFE setting. If not, then the proper setting will depend on your main speakers, but 80 Hz is a good starting point - and is often considered to be a standard setting for home theater equipment.

2. Phase Control

The phase control is used to adjust the phase on your sub to match the phase of your main speakers. The best setting here will depend on your main speakers and where your sub is located in relation to them. This control is usually set to the point where you hear the most bass in the range of frequencies where the sub overlaps with your main speakers.

3. Volume Control

This control sets the relative gain of your BasX sub. Use this control to set the amount of bass delivered by your BasX sub to be a good match for the output of your main speakers.

4. Power Mode Switch

Note: Your BasX sub will only operate if the AC POWER Switch is turned ON. If the AC POWER Switch is OFF, your BasX sub will NOT operate, and the Power Mode Switch will have no effect.

When the Power Mode Switch is set to Off, the BasX sub will NOT operate.

When the Power Mode Switch is set to On, the BasX sub will remain On continuously.

When the Power Mode Switch is set to Auto, the BasX sub will turn On automatically when incoming audio is detected. Once the BasX sub is On, it will remain On for several minutes; if no audio is detected after several minutes, the BasX sub will return to Standby Mode.

5. Power Indicator

The Power Indicator will be illuminated blue when the BasX sub is On, and will be illuminated red when the BasX sub is in Standby Mode.

6. Inputs (unbalanced)

The BasX subwoofer has two unbalanced line level audio inputs. If your source provides a mono full range or subwoofer output, it should be connected to the white input - labelled LFE. If your source provides a stereo subwoofer or full range output, the two channels should be connected to the red and white unbalanced inputs (the two inputs are summed - and it doesn't matter which is which).

7. Outputs (passthrough)

The passthrough outputs on the BasX sub are provided to allow you to connect a second subwoofer, or a set of full range speakers in a second zone. The passthrough outputs are stereo, unbuffered, and remain active even when the BasX sub is Off. The red output is connected directly to the red input jack, and the white output is connected directly to the white input jack.

8. Line Voltage Selector

This switch is used to select the appropriate line voltage for your area.

Note: Be sure to set this switch to the correct line voltage for your area. If you fail to do so, damage to your BasX sub may result.

Note: If you change the Line Voltage setting, you should also change the FUSE in the BasX to the appropriate value (one fuse in each value is provided with your BasX subwoofer).

9. AC Power Switch

Use this switch to turn the main AC Power to your BasX subwoofer On and Off.

Note: Your BasX sub will only operate if the AC POWER Switch is turned ON. If the AC POWER Switch is OFF, your BasX sub will NOT operate, and the Power Mode Switch will have no effect.

10. IEC Power Cable Receptacle

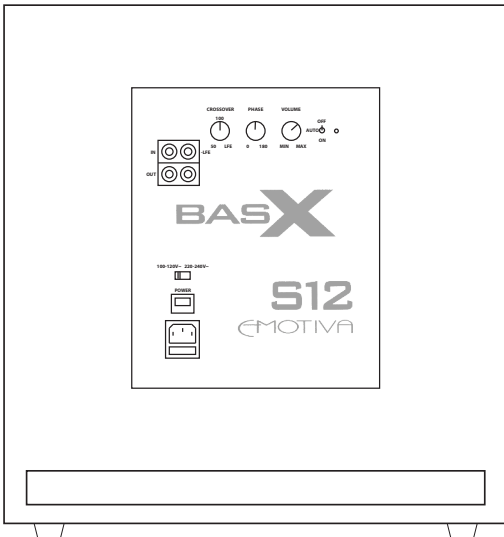
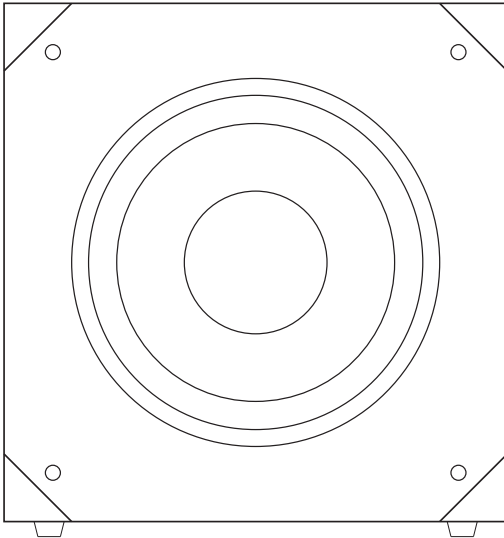
The IEC Power Cable receptacle accepts any standard IEC power cable. A high quality commercial power cable is provided with your BasX subwoofer.

11. Fuse Holder

To change the fuse in your BasX subwoofer, remove the power cable, then gently pry the fuse compartment open. (The fuse holder opens like a drawer.) Replace the fuse with one of the correct value, replace the fuse drawer, and reinsert the power cable.

Note: If the fuse in your BasX subwoofer blows repeatedly without apparent reason, then you might have an electrical fault in your BasX subwoofer, and you should call Emotiva Technical Support for assistance.

BasX S12



The BasX S12 subwoofer is an ideal way to add the last few octaves of authoritative bass response to any audiophile stereo system or home theater surround sound system. The BasX S12 can be matched with any combination of full range and satellite speakers, and is the perfect complement to our Emotiva BasX LCR and BasX SAT speakers.

Driver

One 12 inch long throw low-frequency bass driver, with an injection molded mineral filled polypropylene cone, a large rubber roll surround, a 2 inch copper voice coil on a solid aluminum former, and forced air cooling.

Enclosure Loading

Tuned cabinet with slot-loaded rear port.

Cabinet

Heavy, acoustically inert, MDF cabinet with integral rubber feet, removable black fabric grill cloth, and tough attractive black vinyl exterior finish.

Electrical Specifications

Amplifier type: High efficiency Class D.

Amplifier power: 300 Watts RMS

Frequency response: 25 Hz - 200 Hz (+0/-3 dB).

Inputs: LFE or summed left and right; unbalanced.

Controls: Crossover, Phase, Volume

AC Power: 100-120V/60 Hz (4A fuse);

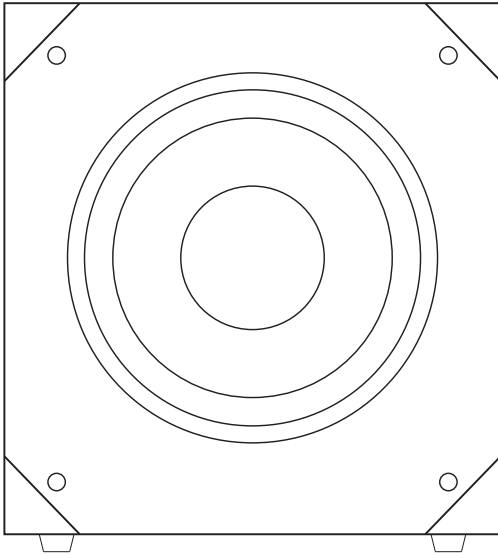
220-240VAC/50 Hz (2A fuse).

Mechanical

Dimensions: 17.25 inches high (feet add 0.5 inches) x 16.75 inches wide x 18.25 inches deep.

Weight: 48.5 pounds.

BasX S10



The BasX S10 subwoofer is an ideal way to add the last few octaves of authoritative bass response to any audiophile stereo system or home theater surround sound system. The BasX S10 can be matched with any combination of full range and satellite speakers, and is the perfect complement to our Emotiva BasX LCR and BasX SAT speakers.

Driver

One 10 inch long throw low-frequency bass driver, with an injection molded mineral filled polypropylene cone, a large rubber roll surround, a 1.5 inch copper voice coil on a solid aluminum former, and forced air cooling.

Enclosure Loading

Tuned cabinet with slot-loaded rear port.

Cabinet

Heavy, acoustically inert, MDF cabinet with integral rubber feet, removable black fabric grill cloth, and tough attractive black vinyl exterior finish .

Electrical Specifications

Amplifier type: High efficiency Class D.

Amplifier power: 200 Watts RMS

Frequency response: 27 Hz - 200 Hz (+0/-3 dB).

Inputs: LFE or summed left and right; unbalanced.

Controls: Crossover, Phase, Volume

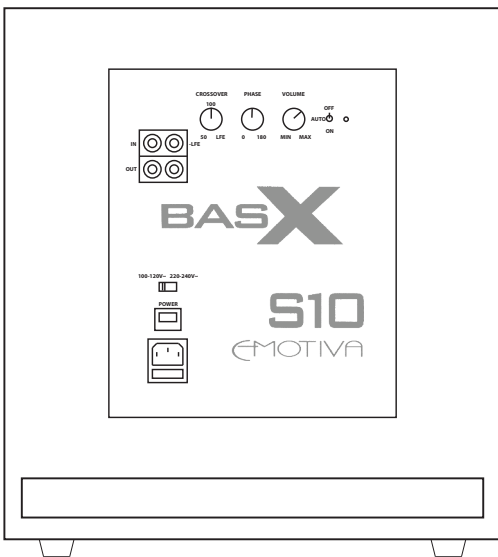
AC Power: 100-120V/60 Hz (2.5A fuse);

220-240VAC/50 Hz (1.25A fuse).

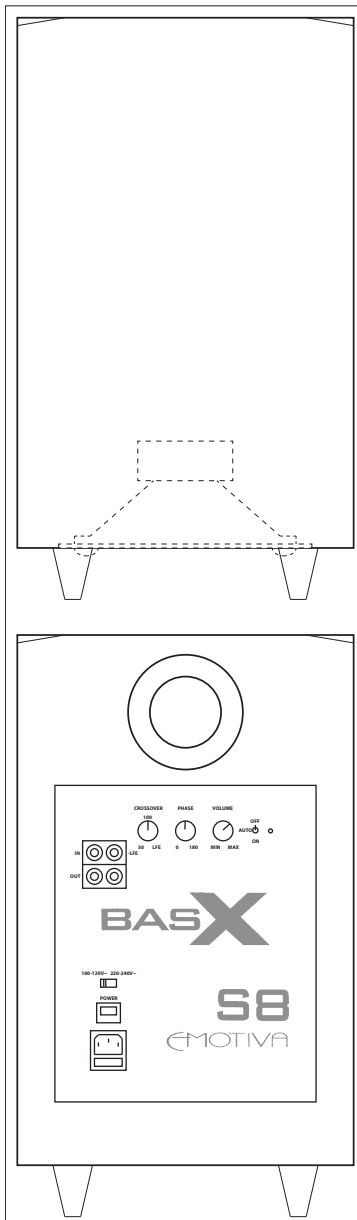
Mechanical

Dimensions: 15.25 inches high (feet add 0.5 inches) x 14.38 inches wide x 15.88 inches deep.

Weight: 34.35 pounds.



BasX S8



The BasX S8 subwoofer is an ideal way to add the last few octaves of authoritative bass response to any audiophile stereo system or home theater surround sound system. The BasX S8 can be matched with any combination of full range and satellite speakers, and is the perfect complement to our Emotiva BasX LCR and BasX SAT speakers.

Driver

One 8 inch long throw low-frequency bass driver, with an injection molded mineral filled polypropylene cone, a large rubber roll surround, a 1.5 inch copper voice coil on a solid aluminum former, and forced air cooling.

Enclosure Loading

Tuned cabinet with flared rear port.

Cabinet

Heavy, acoustically inert, MDF cabinet with integral rubber feet and tough attractive black vinyl exterior finish .

Electrical Specifications

Amplifier type: High efficiency Class D.

Amplifier power: 150 Watts RMS

Frequency response: 28 Hz - 200 Hz (+0/-3 dB).

Inputs: LFE or summed left and right; unbalanced.

Controls: Crossover, Phase, Volume

AC Power: 100-120V/60 Hz (3.15A fuse);
220-240VAC/50 Hz (1.6A fuse).

Mechanical

Dimensions: 16.63 inches high (feet add 1.625 inches)
x 10.63 inches wide x 12.63 inches deep.

Weight: 21.2 pounds.

Subwoofer Placement and Configuration

The best location for your subwoofer will depend on a lot of things - including the acoustics of your room, the characteristics of your main speakers, and practical considerations like where you have room for it. (Whole books have been written about the subject - and even experts often disagree.) The important thing is to find a location that delivers the sound you want, and fits with your room decor.

Some frequently chosen locations include: in the front between your main front speakers, in a front or rear corner, or in the center of a side wall or rear wall. Each has advantages and disadvantages, and each may or may not work well in your particular system.

One way of choosing a good location is sometimes humorously referred to as the "subwoofer crawl". To use this method, you connect your subwoofer temporarily to your audio system, place the sub in your normal listening position, where you would normally sit, and play music through it with plenty of bass. You then crawl around on the floor, stopping and listening at each location where you're considering putting your sub. Once you find the spot where the bass sounds the best and cleanest, you switch places with the subwoofer, placing it in the location where the bass sounded the best. This often turns out to be a good location for your sub.

How you configure your BasX subwoofer will depend on the type of system you have.

Configuring your BasX Sub to Work with an AVR or Surround Sound Pre/Pro

Setting your BasX sub to work with an AVR or pre/pro that has its own bass management is quite simple (this will work for most systems that have a subwoofer output).

- Connect the subwoofer or LFE output on your pre/pro or receiver to the LFE input on your BasX sub.
- Set the Crossover Control on the BasX sub to LFE, which is fully clockwise.
- Set the Volume Control on the BasX sub to a setting where the level of the low bass seems about right by ear.
- Adjust the Phase Control to the setting where you hear the MOST bass in the frequency range where the sub overlaps with your main speakers.
- Use the adjustments on your receiver or pre/pro to dial your settings in perfectly, or run the automatic room correction and let it do all the work for you. The procedure will be slightly different on each system because each piece of equipment offers different manual controls and different automatic options.

If your AVR or pre/pro has a full range subwoofer output (but not bass management), then there's one additional step.

- AFTER you've set the Phase Control for the most bass, go back and adjust the Volume and Crossover Controls for the best sound. The Crossover Control controls the overlap between your subwoofer and your main speakers; you want to set it so that your sub blends smoothly with your main speakers, without a bump or dip where they overlap, and without a sharp transition from one to the other. The Volume Control is used to set the relative level between your sub and main speakers. A good rule of thumb is that the bass should sound solid, but you should not hear the sub as a distinct separate sound source; try turning the Volume Control up until you barely notice the sub, then back down a tiny bit.

Note: The way your main speakers and sub blend together will sound slightly different at different locations in the room. These adjustments should be made by listening at your normal listening location... If your equipment is located across the room, walk back to your favorite chair and listen to the results from there each time you make an adjustment.

Note: After you've configured everything on your pre/pro, or used your automatic room correction to do so, you should AVOID changing the Crossover and Phase Control settings on your BasX sub as this will change the way it sounds. However, you may use the Volume Control to increase or reduce the amount of bass to suit your taste.

Configuring your BasX Sub Manually

If you're connecting your BasX sub to a stereo system that doesn't have a subwoofer output, you'll be using the controls on the BasX sub to make it fit perfectly with your main speakers.

- First you'll need to take a set of main outputs and connect them to BOTH inputs on your BasX subwoofer. It doesn't matter which channel you connect to the red input and which to the white input since they're summed together. If you only have one set of main outputs, you can use a pair of splitter cables to send a copy of those signals to your BasX sub.
 - Start with the Volume Control all the way down; with the Phase Control set to 0 degrees, and with the Crossover Control set to the far right - to LFE.
 - Now, play some music with plenty of bass, and that you are familiar with.
 - Turn the Volume Control up until the amount of bass sounds more or less correct.
 - Use the Phase Control to adjust for the MOST bass in the frequency range where your sub and main speakers overlap.
 - Fine tune the setting on the Volume Control so that the amount of low bass and middle frequencies seem about right in proportion to each other. At this point you'll probably have a bump in the frequency response where the sub and your main speakers overlap.
 - Finally, turn the Crossover Control to the left to reduce the overlap between your sub and main speakers until everything sounds best. (You're lowering the crossover frequency to eliminate the overlap between the sub and your main speakers.)
 - If necessary, you can adjust the Volume Control one final time to get things just right.
-

Connections

Although the BasX subwoofers have no special connection requirements, the following suggestions may be helpful:

- Always use high-quality interconnects between your subwoofer and your source equipment.
- Keep interconnects as short as possible, and avoid running interconnects next to power cables whenever possible.
- Emotiva offers high quality interconnect cables at reasonable prices (you will find them on our website at www.emotiva.com)

Care and Maintenance

Periodic Maintenance

Your BasX subwoofer requires no periodic maintenance or calibration.

Cleaning the Cabinet and Baffle

- The cabinet of the BasX sub should normally be cleaned with a rag dampened with plain water. **DO NOT** spray water directly onto or into the speaker and **DO NOT** use abrasive or chemical cleaners. Gently dry the surface with a clean soft rag after cleaning.
- If necessary, use a mild detergent, wipe the surface with a rag dampened with plain water afterwards to rinse it, and then gently dry the surface with a clean soft rag.
- If something nasty does get on the sides or top of your BasX sub, use a rag dampened with a weak solution of dish detergent or other mild cleaning liquid, followed by a rag dampened with plain water, and then dry with a clean rag.

Cleaning the Grill Cloth

- If necessary, the grill cloth may be carefully vacuumed to remove dust or hair.
- Animal hair may be removed by using a "tape" type lint remover or soft brush. Avoid using brushes with stiff bristles that may pull or damage the grill cloth.

Note: DO NOT use any sort of liquid or wet cloth on the cone of the bass driver.

Emotiva Audio Corporation Three-Year Limited Warranty

What does this warranty cover?

Emotiva Audio Corporation (Emotiva) warrants its products against defects in materials and workmanship. This warranty, and all rights provided hereunder, is limited to the original owner. In the event the original owner transfers ownership of the Product after the first year of ownership, but prior to the expiration of the applicable term described below, this Warranty shall terminate at the end of the original applicable term.

This Warranty only applies to Products purchased directly from Emotiva or any of its Authorized Dealers or International Distributors.

Emotiva warrants any replacement product or part furnished hereunder against defects in materials and workmanship for the longer of the following: (i) the amount of time remaining under the original warranty, or (ii) 120 days from your receipt of the repaired or replaced product. The duration described in this paragraph is hereinafter referred to as the "Term".

TO THE FULLEST EXTENT PERMITTED BY LAW, ALL IMPLIED WARRANTIES RELATED TO THE ORIGINAL PRODUCT AND ANY REPLACEMENT PRODUCT OR PARTS (INCLUDING IMPLIED WARRANTIES OF MERCHANTABILITY AND FITNESS FOR A PARTICULAR PURPOSE) ARE EXPRESSLY LIMITED TO THE TERM OF THIS LIMITED WARRANTY. SOME STATES DO NOT ALLOW LIMITATIONS ON HOW LONG AN IMPLIED WARRANTY LASTS, SO THE ABOVE LIMITATION MAY NOT APPLY TO YOU.

The original owner must make a claim within the Term of the Warranty. A claim shall not be valid (and Emotiva has no obligation related to the claim) if it is not made within the Term and if it is not made in strict compliance with the requirements of the "How do you get service?" section.

How long does this coverage last?

This warranty commences on the date of retail purchase by the original retail purchaser and runs for a period of three years thereafter, with the exception of accessories, cables, Big Ego, Little Ego, remote controls, and the ERC-3 CD transport mechanism*. This warranty may be transferred once by the original owner during the initial one year of ownership, and is non-transferable thereafter. Emotiva warrants any replacement product or part furnished hereunder against defects in materials and workmanship for the longer of the following: (i) the amount of time remaining under the original warranty, or (ii) 120 days from your receipt of the repaired or replaced product. The duration described in this paragraph is hereinafter referred to as the "Term".

*Accessories, cables, Big Ego, Little Ego, and remote controls have a one-year warranty to the original owner. The CD transport mechanism on the ERC-3 has a two-year warranty to the original owner.

What will Emotiva do?

Emotiva will, at its option, either: (i) repair the product, or (ii) replace the product with a new consumer product which is identical or reasonably equivalent (in Warrantor's sole discretion) to the product. In the event Warrantor, in its sole discretion, is unable to replace or repair the Product or it is not commercially practicable to do so, then: (i) if the claim was submitted during the first 365 days of the Term, Warrantor shall refund to you the purchase price that you paid for the Product; and (ii) if the claim was submitted after the first 365 days of the Term, Emotiva shall issue you a credit equal to the purchase price that you paid for the product. The credit may only be used for the purchase of merchandise from Emotiva, and cannot be used for freight charges.

When a Product or part is repaired or replaced, any replacement item becomes your property and the

replaced item becomes Emotiva's property. When a refund or credit is given, the Product for which the refund or credit is provided must be returned to Emotiva and becomes Emotiva's property.

What is not covered by this warranty?

This warranty does not apply: (i) to damage caused by use with products not manufactured by Emotiva, where the non-Emotiva product is the cause of the damage; (ii) to damage caused by service or maintenance performed by anyone who is not a representative of Emotiva; (iii) to damage caused by accident, abuse, misuse, flood, fire, earthquake or other external causes; (iv) to a product or part that has been modified after its retail purchase, where the modification caused or contributed to the damage; (v) to consumable parts, such as batteries or failure of or damage to the Product caused by batteries; (vi) if any Emotiva serial number has been removed or defaced on the product; (vii) glass or plastic panels, cabinetry, trim or other appearance items; (viii) cosmetic wear or damage to remote controls by user.

EMOTIVA SHALL NOT BE LIABLE FOR ANY INCIDENTAL OR CONSEQUENTIAL DAMAGES ARISING FROM OR RELATED TO ANY DEFECTS IN OR DAMAGES TO ITS PRODUCTS. SOME STATES DO NOT ALLOW THE EXCLUSION OR LIMITATION OF INCIDENTAL OR CONSEQUENTIAL DAMAGES, SO THE ABOVE LIMITATION OR EXCLUSION MAY NOT APPLY TO YOU.

How do you get service?

In order to make a claim under the Warranty, you must:

1. Call or e-mail a customer service representative at 1-877-EMO-TECH (1-877-366-8324) or support@emotiva.com. You must provide a description of your problem, the serial number of the Product for which the warranty claim is being made, and the original purchase date.
2. Then, you will be provided with a warranty service authorization number ("WS").
3. Next, you must ship the Product to the following address, with the WS written in large, bold numbers on the outside of the box, and with the letters "WS" written before the number, for example: WS1234. Parcels arriving without a WS number on the outside of the box will be refused. The customer pays for the shipping to Warrantor. Warrantor pays for the shipping back to the customer within the continental United States only. Customer is responsible for shipping charges on all other warranty claims.

Emotiva Audio Corporation
Attn: Repair Department
139 Southeast Parkway Court
Franklin, TN 37064

Units will be refused by Emotiva for the following:

- Product was sent without the WS#
- Product was sent with inadequate packaging.
- Product was damaged in transit.
- Product was shipped collect for shipping charges.

How does state law apply?

This warranty gives you specific legal rights, and you may also have other rights which vary from state to state.

What if my product is damaged on the way to you?

Emotiva is not liable for damages that may incur while an item is in transport to us. Please purchase insurance when you ship your item. If your Product was not adequately packaged, we will refuse receipt and the damaged package will be returned to you at your cost. If you do not have the original Emotiva Audio packaging, please check with our sales department to purchase replacement-shipping cartons.

How does the Warranty and service apply to international orders?

The Product Warranty is only valid in the country where the Emotiva product was originally shipped via an authorized dealer, distributor, or direct from the Emotiva factory. The Warranty is subject to change at any time depending on the laws and regulations within your specific country. Please check with your distributor for a complete understanding of the warranty in your county.

If you purchased your Emotiva Product outside of the USA and wish to have it serviced at the factory, all freight charges are your responsibility. If you do not have an authorized distributor or repair center in your country, your Product must come back to the Emotiva USA factory for warranty service.

This warranty gives you specific legal rights, and you may also have other rights which vary from state to state.

What if my product is damaged on the way to you?

Emotiva is not liable for damages that may incur while an item is in transport to us. Please purchase insurance when you ship your item. If your Product was not adequately packaged, we will refuse receipt and the damaged package will be returned to you at your cost. If you do not have the original Emotiva Audio packaging, please check with our sales department to purchase replacement-shipping cartons.

How does the Warranty and service apply to international orders?

The Product Warranty is only valid in the country where the Emotiva product was originally shipped via an authorized dealer, distributor, or direct from the Emotiva factory. The Warranty is subject to change at any time depending on the laws and regulations within your specific country. Please check with your distributor for a complete understanding of the warranty in your county.

If you purchased your Emotiva Product outside of the USA and wish to have it serviced at the factory, all freight charges are your responsibility. If you do not have an authorized distributor or repair center in your country, your Product must come back to the Emotiva USA factory for warranty service.

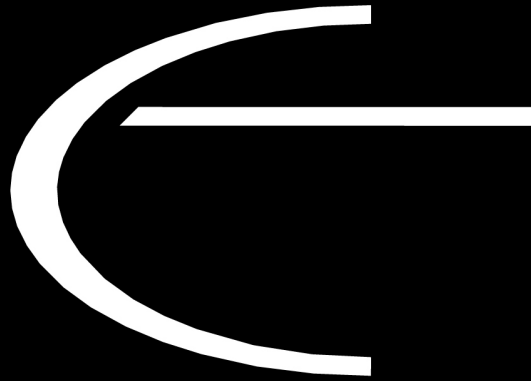
Accessories

Using high-quality audio interconnects will ensure that you get the best sound quality and maximum reliability from your Emotiva BasX subwoofer. Emotiva Audio offers high-quality speaker cables and audio interconnects that feature solid engineering, premium build quality, excellent performance, and reasonable cost.

You will find both on our website at www.emotiva.com.

Notes

All information contained in this manual is accurate to the best of our knowledge at the time of publication. In keeping with our policy of ongoing product improvement, we reserve the right to make changes to the design and features of our products without prior notice.



Emotiva Audio Corporation
135 Southeast Parkway Court
Franklin, TN 37064

www.emotiva.com