

Pro Series



Thank you for purchasing a NavePoint product. NavePoint intends this manual to guide you through a smooth installation of the product. NavePoint assumes that you are qualified in the servicing of computer equipment and trained in recognizing any hazards that may occur in the installation of this product. If you have any questions regarding the installation or use of your product, please call us at 888.505.1363.

www.NavePoint.com
 customerservice@navepoint.com
 © 2017 NavePoint, LLC
 Rev. 20171129 V.3



Examine the package for any damaged or loose parts. If anything is damaged or missing, contact NavePoint for assistance. Do not attempt to install or use cabinet if it has been damaged.

The information contained in this document is subject to change without notice.

NavePoint makes no warranty of any kind with regard to this material, including, but not limited to the implied warranties of merchantability and fitness for a particular purpose.

NavePoint shall not be liable for errors contained herein or for incidental or consequential damages in connection with the furnishing, performance, or use of this material.

NavePoint assumes no responsibility for the use, application, or reliability of the software or hardware that you install into the product. Always install the heaviest equipment in the bottom.

It is highly recommended that installation of this product be performed by a qualified and experienced installer. Improper installation of this product could result in damage to the product, other equipment, or personal injury. NavePoint cannot be held responsible for damage to equipment or personal injury resulting from improper use, installation or the misuse of information presented in this document.

Important information-
 Keep this information for further reference.

WARNING

Different wall materials require different type of anchoring devices. Use anchoring devices suitable for the walls which you are using in your application. For advice on suitable anchoring systems, contact your local specialist.

Limitations of Liability: In no event will NavePoint, LLC. (or its officers, directors, employees or agents) be liable for any damages, whether direct or indirect, special, punitive, incidental or consequential damages (including, but not limited to, lost profits or revenue, loss of use, lost business opportunities or loss of goodwill) or for the costs of procuring substitute products, arising out of or in connection with the use of the product, whether such liability arises from any claim based upon contract, warranty, tort (including negligence), product liability or otherwise, whether or not seller has been advised of the possibility of such loss or damage. In no event will seller's total cumulative liability, from all causes of action and all theories of liability, exceed the total amounts actually paid to seller by customer under the order that gives rise to any liability hereunder.

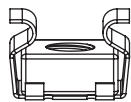
Hardware:

Cabinet Size	6U	9U	12U	15U	18U
M6 Cross Screw (A)	10	10	10	10	10
M6 Nut (B)	22	22	22	22	22
M5 Screw (C)	18	18	18	18	18
M3.5 Screw (D)	10	10	10	10	10
M6 Screw (E)	28	28	28	32	32

Tools needed: allen wrench (wrench included) and phillips screw driver.



M6 Cross Screw (A)



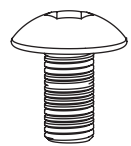
M6 Nut (B)



M5 Screw (C)



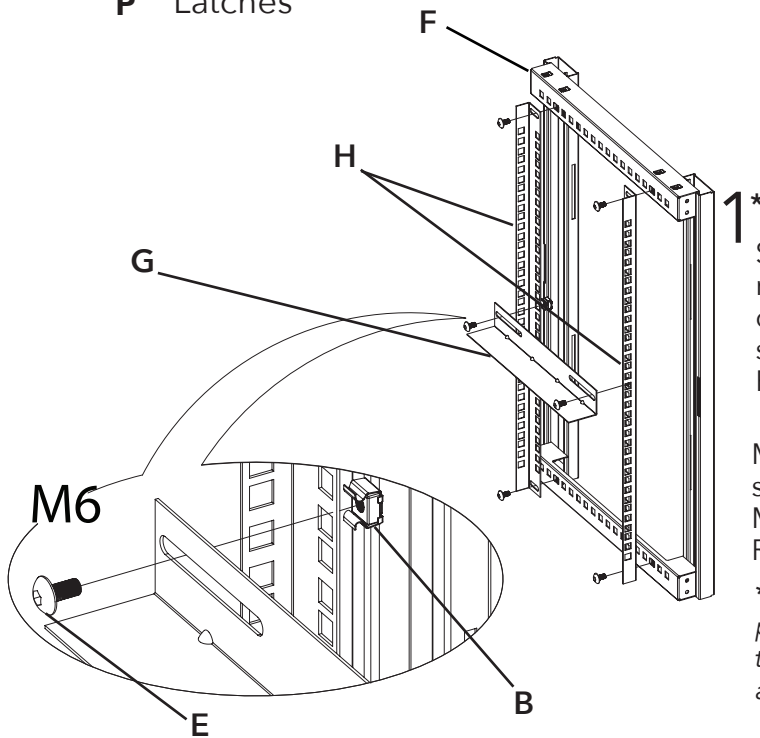
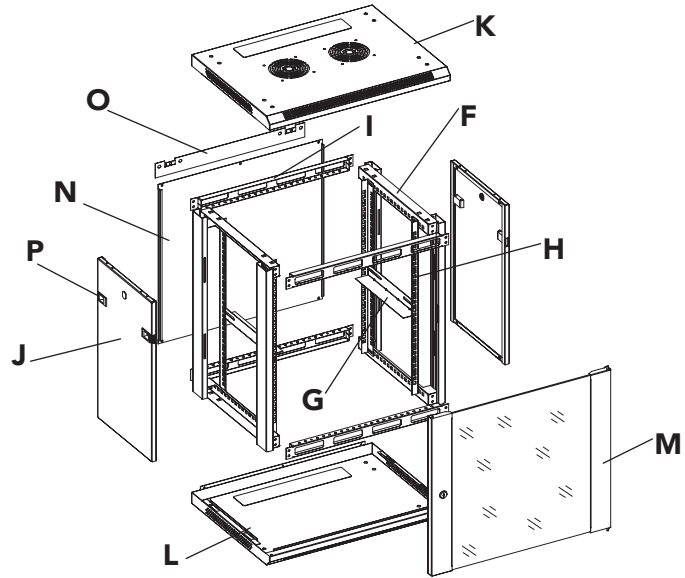
M3.5 Screw (D)



M6 Screw (E)

Legend:

- F** Side Frame
- G** L Bracket
- H** Mounting Rail
- I** Horizontal Structure Bar
- J** Side Panel
- K** Top Cover
- L** Bottom
- M** Tempered Glass Door
- N** Back Panel
- O** Hanger Bar
- P** Latches

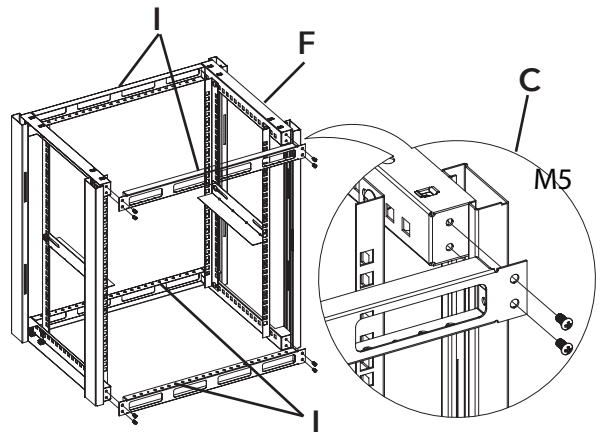
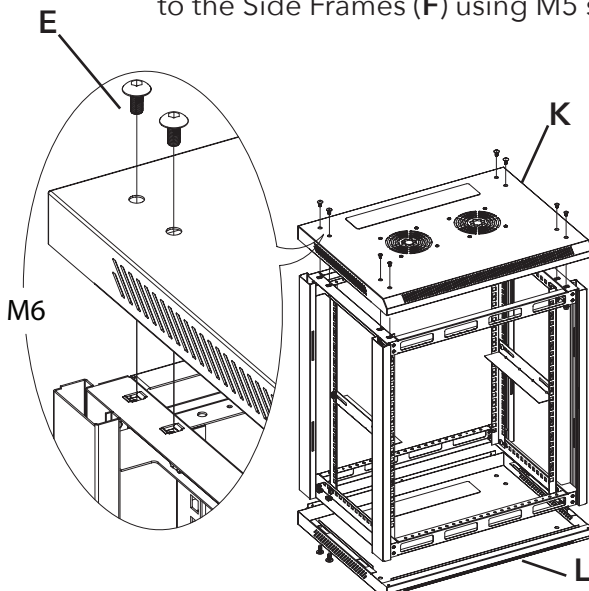


1* Start with a Side Frame (F) lay flat with slotted rails upright. Place Mounting Rail (H) at desired depth. Secure it in place with M6 screws (E) and M6 cage nuts (B). Repeat on other side frame.

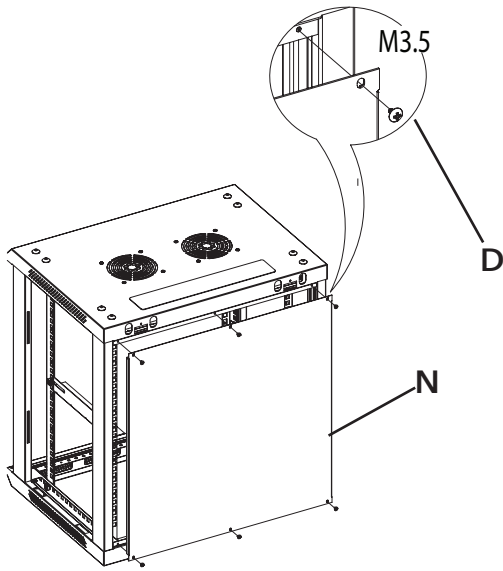
Mount optional L Bracket (G) or other shelving accessories at desired height, using M6 screws (E) and M6 cage nuts (B). Repeat on other side frame.

**Although the depth of the optional bracket is not permanent, it is recommended that you take this time to ensure the space between mounting rails is accurate to what your application requires.*

2 Attach the four Horizontal Structure Bars (I) to the Side Frames (F) using M5 screws (C).

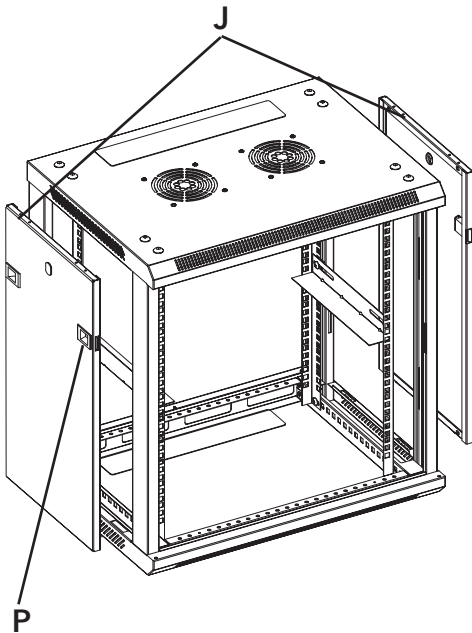


3 Lay top cover (K) on top of the cabinet frame and secure with M6 screws (E). Repeat steps to secure Bottom (L) to cabinet frame.



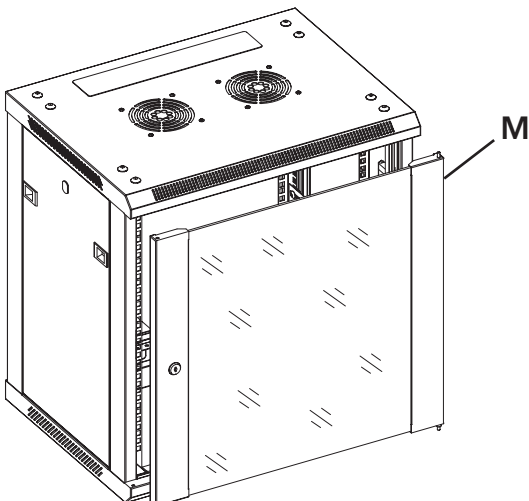
4

Attach Back Panel (N) to the rear of the cabinet frame, using M3.5 screws (D).



5

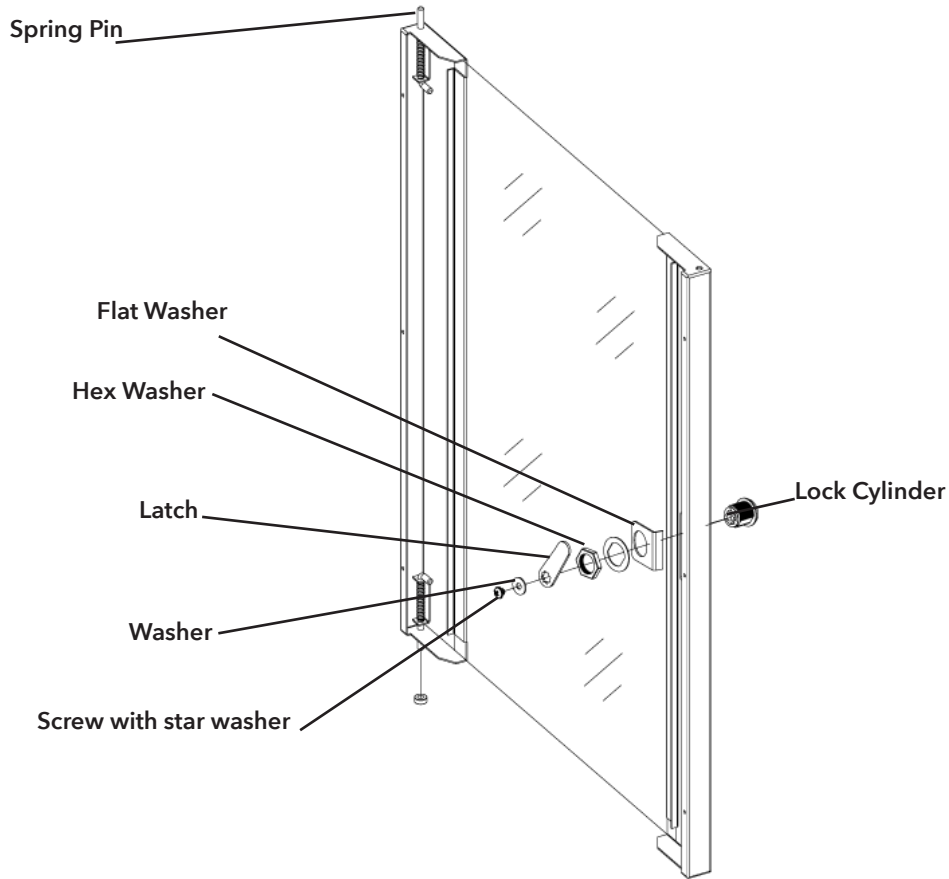
Click Latches (P) into Side Panels (J)
Click Side Panels (J) into place on cabinet frame.



6

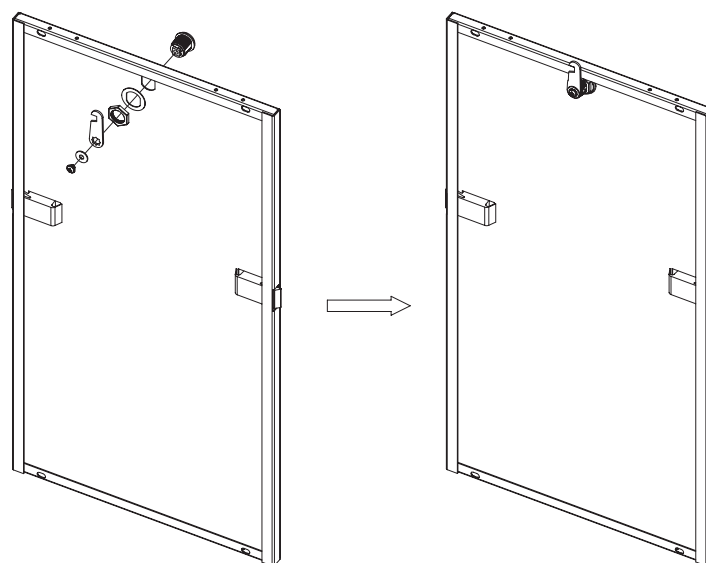
To install the Tempered Glass Door (M), locate the side with two pins. Insert the fixed pin into door hinge hole. With your thumb, pull down on the spring pin and slide it into place over second door hinge hole and release. The pin should click into place, securing the door.

Front Door Lock



To install locks on the Tempered Glass Door (**M**), unscrew the latch and washer using a phillips screwdriver and place to the side. Then unscrew the large hex washer and flat washer and place to the side. Push lock through door and then replace all parts on the door. Once all pieces of the lock are secure, insert key and make sure the lock properly rotates. You may need to rotate the hook to ensure it properly locks.

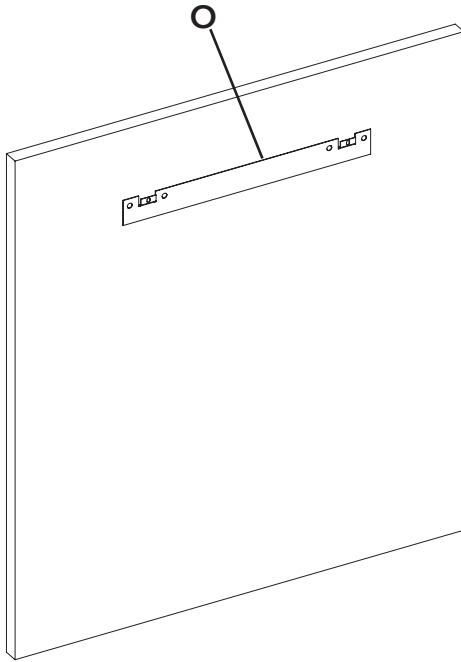
Optional side panel lock



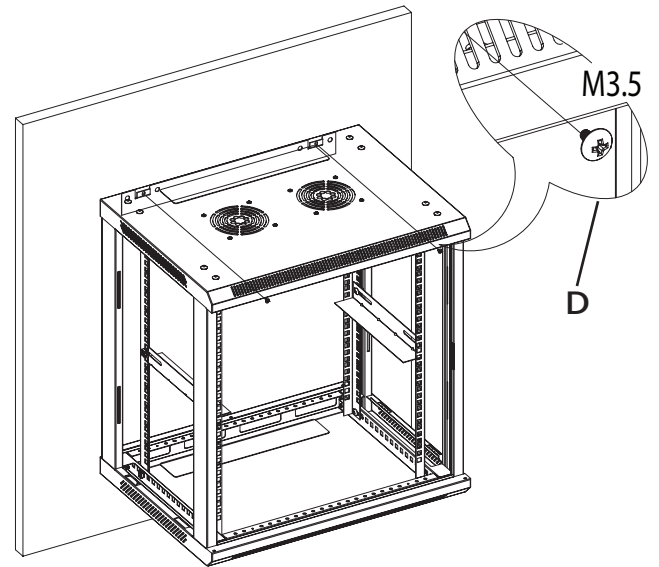
To install locks on the Side Panels (**J**) push out plastic plugs. Unscrew the latch and washer using a phillips screwdriver and place to the side. Next unscrew the large hex washer and flat washer and place to the side. Push lock through door and then replace all parts on the door. Once all pieces of the lock are secure, insert key and make sure the lock properly rotates. You may need to rotate the hook to ensure it properly locks.

Wall Mounting

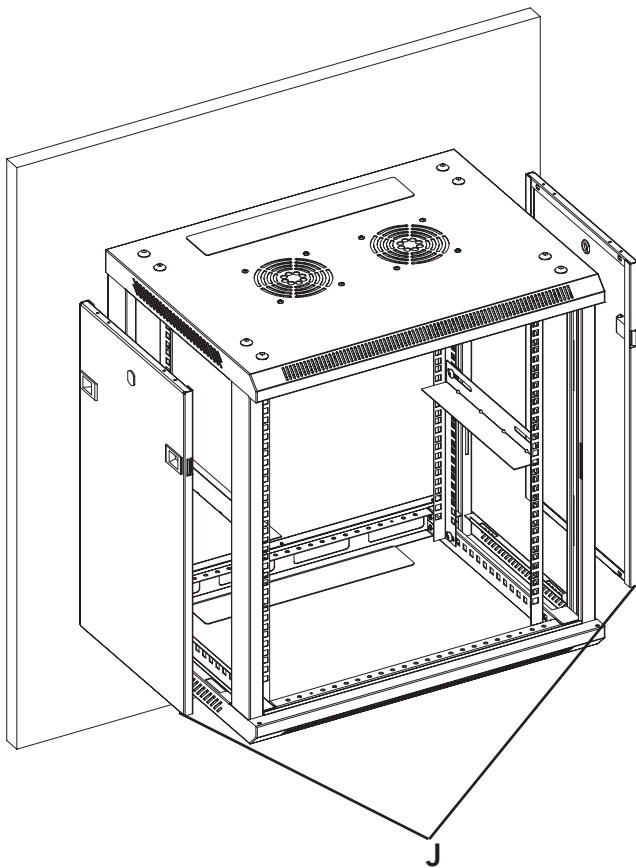
It is recommended that the cabinet be mounted to the wall prior to the side panels and door being installed



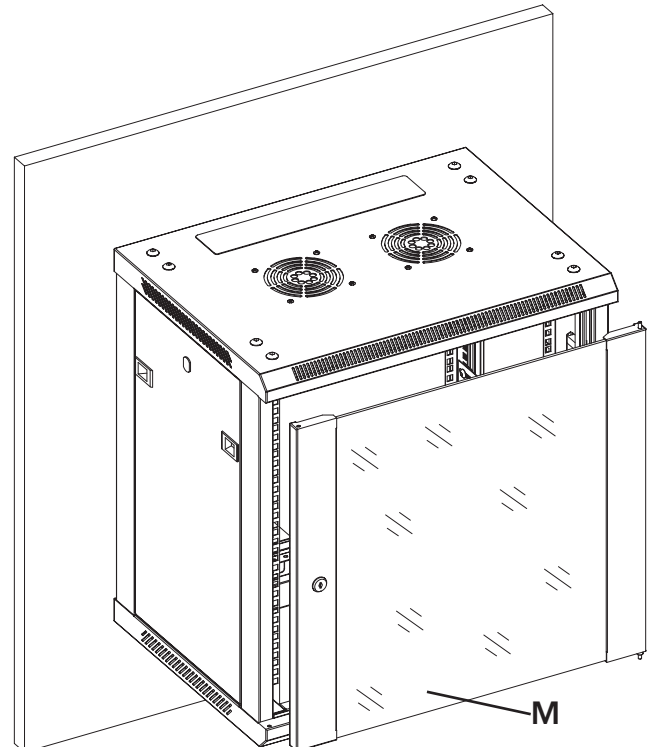
1 Secure Hanger Bar (O) to wall with anchors and screws (not included).



2 Lift the cabinet up and slide onto Hanger Bar (O) hooks. Take two M3.5 screws (D) and secure the cabinet to the hanger bar tightly.



3 Click Side Panels (J) into place.



4 To install the Tempered Glass Door (M), locate the side with two pins. Insert the fixed pin into door hinge hole. With your thumb, pull down on the spring pin and slide it into place over second door hinge hole and release. The pin should click into place, securing the door.