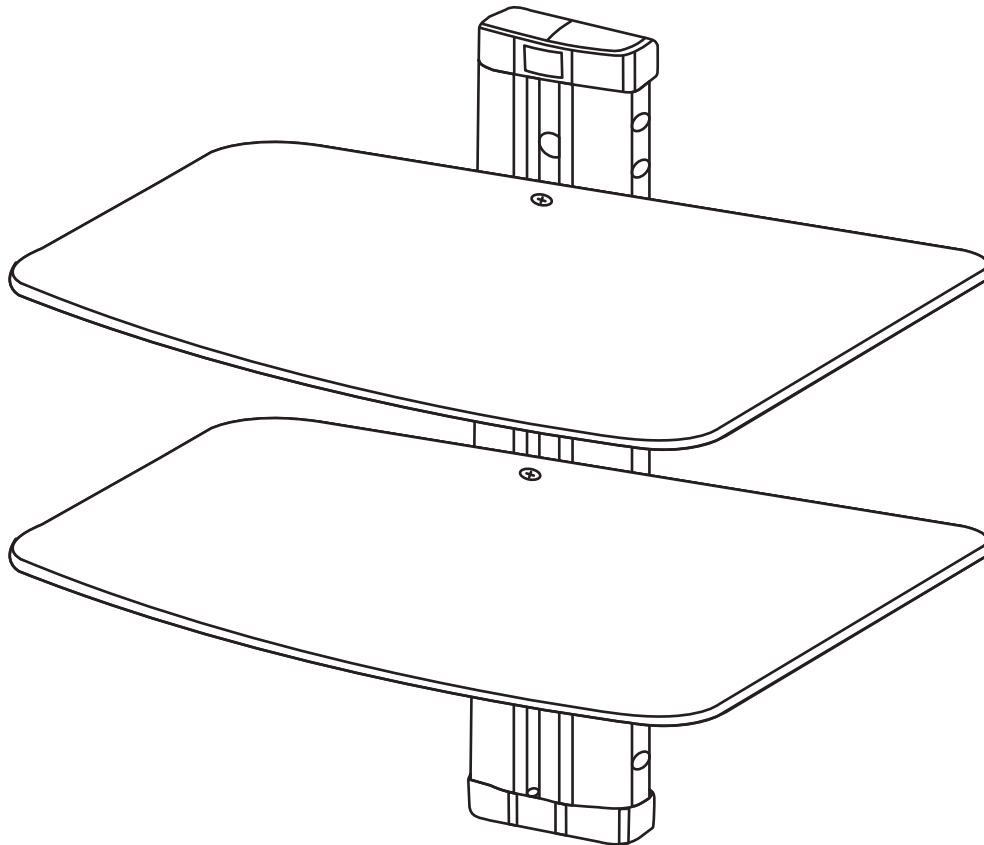




PERLESMITH

Installation Instructions

V1.0



PSDS2

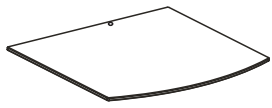


Thank you for choosing our product! We strive to provide the best quality and services for our customers. Would you kindly share your experience on Amazon if you are satisfied? Should you have any issues, please don't hesitate to contact us.

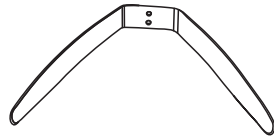
Telephone: 800-5566-806 Mon-Fri 10am - 6pm (PST) (USA)

Email: supportus@perlesmith.com (US/CA/DE/UK/FR/IT/ES/JP/AU)

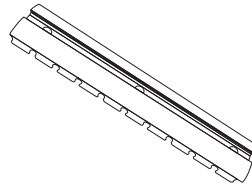
Component Checklist



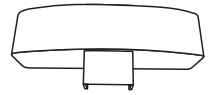
① Glass shelf
x 2



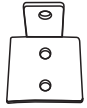
② Glass bracket
x 2



③ Wall Brackets
x 1



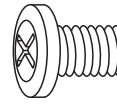
④ End cap
x 2



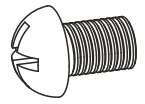
⑤ Connector
x 2



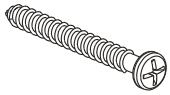
⑥ Rubber pad
x 8



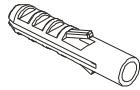
⑦ Screw
x 2



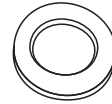
⑧ Screw
x 4



⑨ Bolt
x 3



⑩ Concrete Anchor
x 3



⑪ Washer
x 3

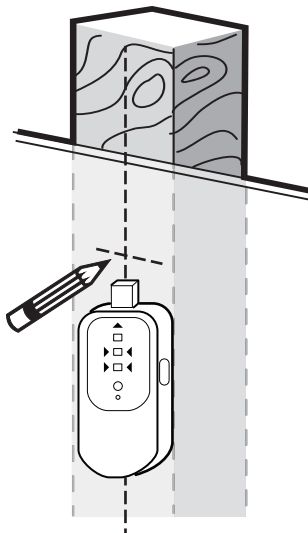


⑫ Connector
x 2

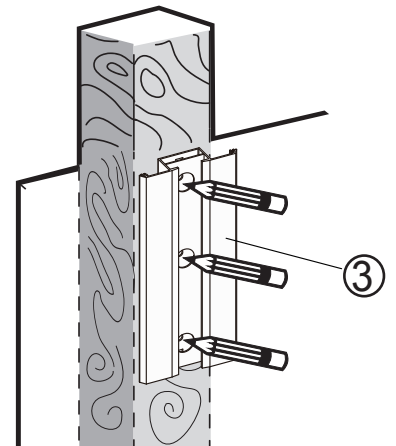
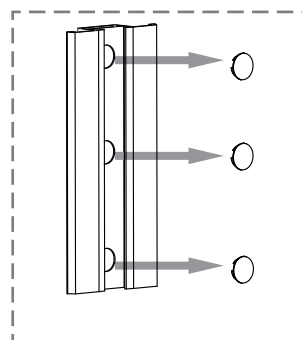
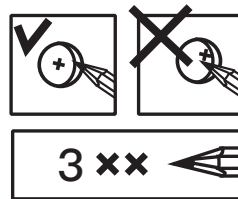
STEP 1

1A : MOUNT WALL PLATE ON SINGLE STUD

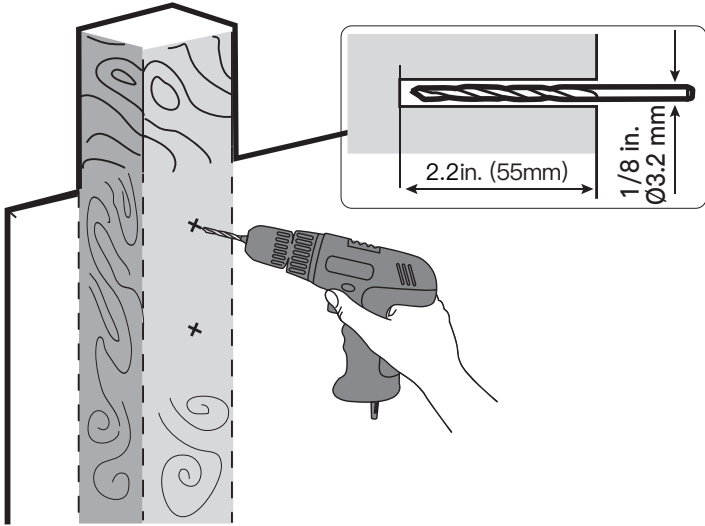
- ① Find the stud by the stud finder and mark the center.



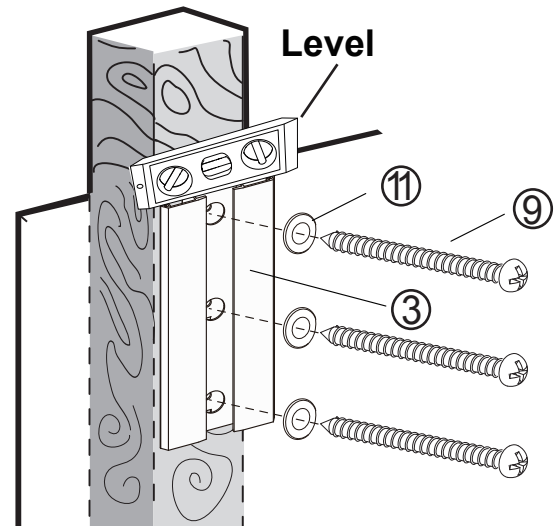
- ② Use wall plate ③ to mark three mounting hole locations.



- 3** Drill pilot holes using a 1/8 in. (3.2 mm) diameter drill bit.

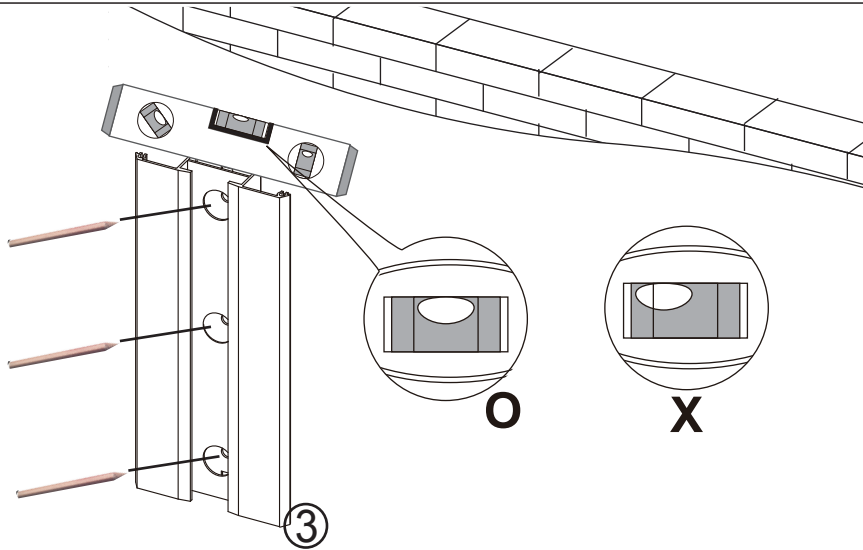


- 4** Secure the wall mount with the lag bolt.

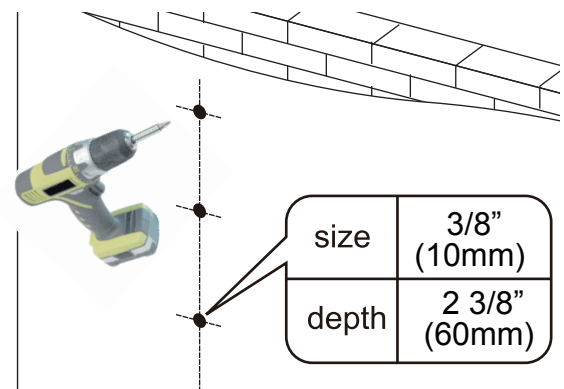


1B : MOUNT WALL PLATE ON CONCRETE

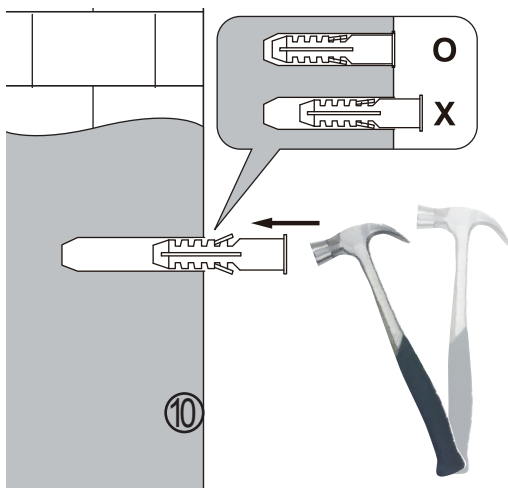
- 1** Use wall bracket holes to mark 3 mounting locations. Use level to ensure proper alignment. if needed.



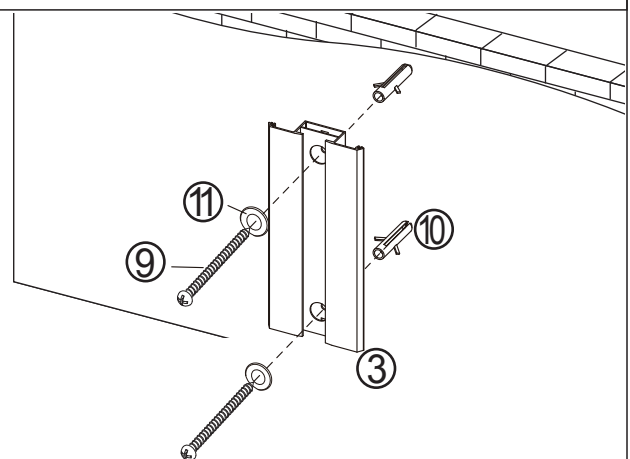
- 2** Drill 3 pilot holes into concrete wall.



- 3** Secure 3 wall anchors into drilled holes with hammer.

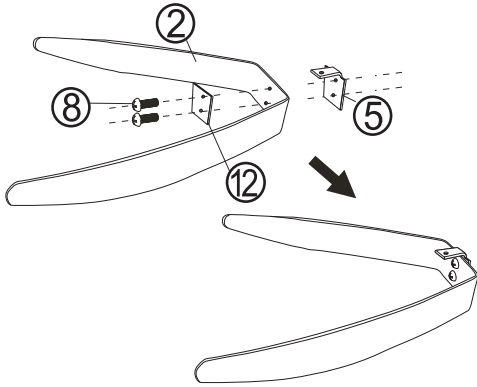


- 4** Secure wall bracket to concrete wall using screws by phillips screwdriver.



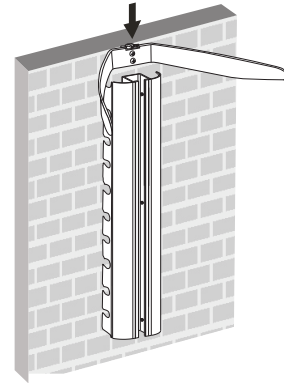
STEP 2

Secure the screws and the connector



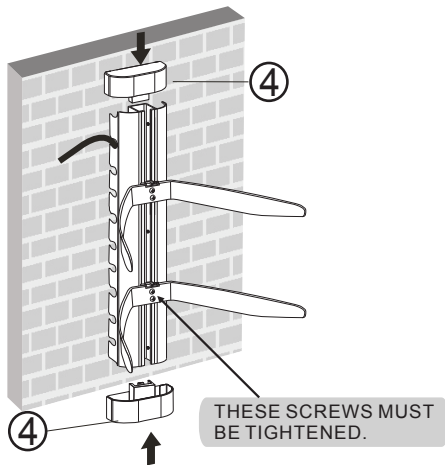
STEP 3

Attach the glass brackets to the wall brackets. Put glass bracket above wall bracket and let the glass bracket slide down.



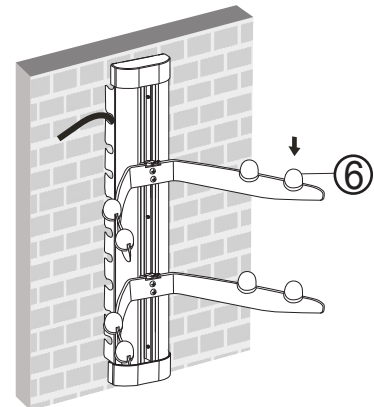
STEP 4

Attach the end caps



STEP 5

Paste the rubber pad (6) onto the glass bracket



STEP 6

Secure the screws and attach the glass shelf to the glass Brackets.

