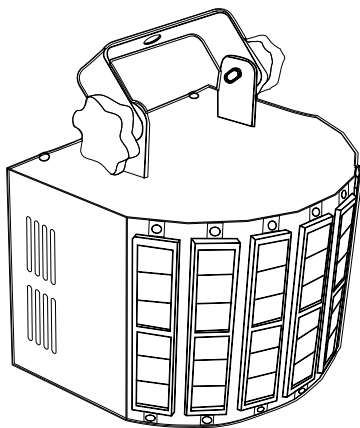


# Multicolor Wide Beams DJ Light

## User Manual



*Lalice Natz*  
THE NATURE LIGHT

# 1.BEFORE YOU BEGIN

## What Is Included

- 1 x LaluceNatz DJ Effect Light
- 1 x Remote Controller
- 1 x User Manual

## Unpacking Instructions

Thank you for purchasing the 27W DJ Effect Light by LaluceNatz. Every 27W DJ Effect Light has been thoroughly tested and has been shipped in perfect operating condition. Carefully unpack the product immediately and check the container to make sure all the parts are in the package and are in good condition.

## Claims

If the box or the contents (the product and included accessories) appear damaged from shipping, or show signs of mishandling, notify the carrier immediately and contact Amazon customer support for replacement. Amazon customer support team will definitely help you with this. You may contact Amazon customer support team at:

<https://www.amazon.com/gp/help/customer/contact-us>

For urgent issue, you can call Amazon customer service as well:  
U.S. and Canada: 1-866-216-1072

If no response from Amazon, you can get support directly from LaluceNatz Customer Service at **[info@lalucenatzonline.com](mailto:info@lalucenatzonline.com)**

## Disclaimer

LaluceNatz believes that the information contained in this manual is accurate in all respects. However, LaluceNatz assumes no responsibility and specifically disclaims any and all liability to any

party for any loss, damage or disruption caused by any errors or omissions in this document, whether such errors or omissions result from negligence, accident or any other cause. LalucaNatz reserves the right to revise the content of this document without any obligation to notify any person or company of such revision, however, LalucaNatz has no obligation to make, and does not commit to make, any such revisions.

## **Safety Notes**

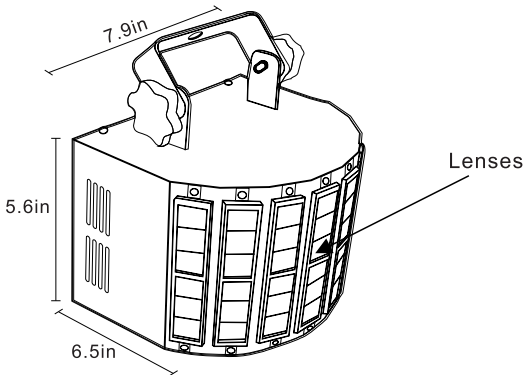
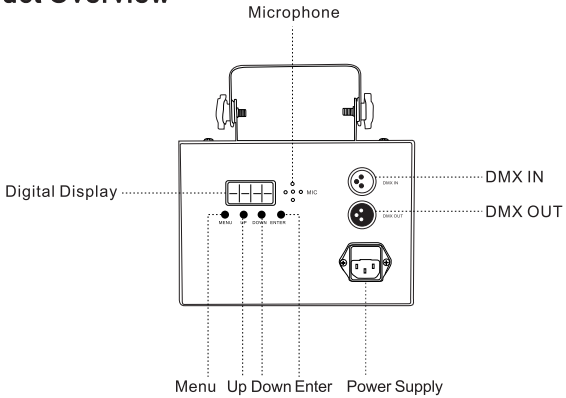
Please read the following Safety Notes carefully before working with the product. The notes include important safety information about installation, usage, and maintenance.

- Always connect the product to a grounded circuit to avoid the risk of electrocution.
- Always disconnect the product from the power source before cleaning or replacing the fuse.
- Avoid direct eye exposure to the light source while the product is on.
- Make sure the power cord is not crimped or damaged.
- Never disconnect the product from power cord by pulling or tugging on the cord.
- If mounting the product overhead, always secure to a fastening device using a safety cable.
- Make sure there are no flammable materials close to the product when operating.
- Do not touch the product's housing when operating because it may be very hot.
- This product is not intended for permanent installation.
- Always make sure that the voltage of the outlet to which you are connecting the product is within the range stated on the decal or rear panel of the product.

- The product is for indoor use only! (IP20) To prevent risk of fire or shock, do not expose the product to rain or moisture.
- Always install the product in a location with adequate ventilation, at least 20 in (50 cm) from adjacent surfaces.
- Be sure that no ventilation slots on the product's housing are blocked.
- Never connect the product to a dimmer.
- Never carry the product from the power cord or any moving part. Always use the hanging/mounting bracket.
- The maximum ambient temperature ( $T_a$ ) is 104 °F (40 °C). Do not operate the product at higher temperatures.
- In the event of a serious operating problem, stop using the product immediately.
- Never try to repair the product. Repairs carried out by unskilled people can lead to damage or malfunction.
- If you sell the product to someone else, be sure that they also receive this document.

# 2. INTRODUCTION

## Product Overview



# 3. SETUP

## AC Power

The 27W DJ Effect Light has an auto-ranging power supply and it can work with an input voltage range of 110 to 240V AC, 50/60 Hz. To determine the product's power requirements (circuit breaker, power outlet, and wiring), use the current value listed on the label affixed to the product's back panel, or refer to the product's specifications chart. The listed current rating indicates the product's average current draw under normal conditions.

- Always connect the product to a protected circuit (circuit breaker or fuse). Make sure the product has an appropriate electrical ground to avoid the risk of electrocution or fire.
- To eliminate unnecessary wear and improve its lifespan, during periods of non-use completely disconnect the product from power via breaker or by unplugging it.
- Never connect the product to a rheostat (variable resistor) or dimmer circuit, even if the rheostat or dimmer channel serves only as a 0 to 100% switch.

## Mounting

Before mounting the product, read and follow the safety recommendations indicated in the Safety Notes.

## Orientation

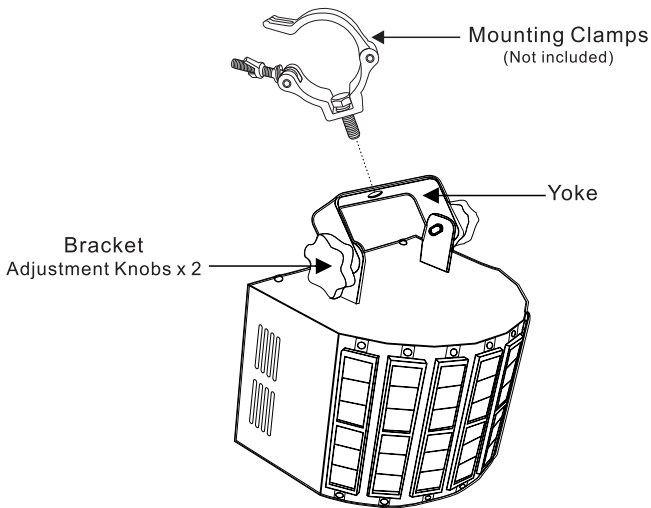
The 27W DJ Effect Light may be mounted in any position. However, make sure adequate ventilation is provided around the product.

## Rigging

- Before deciding on a location for the product, always make sure there is easy access to the product for maintenance and programming purposes.

- Make sure that the structure onto which you are mounting the product can support the product's weight. See the Technical Specifications for weight information.
- When mounting the product overhead, always use a safety cable. Mount the product securely to a rigging point, whether an elevated platform or a truss.
- When rigging the product onto a truss, use a mounting clamp of appropriate weight capacity.
- The bracket adjustment knobs allow for directional adjustment when aiming the product to the desired angle. Only loosen or tighten the bracket knobs manually. Using tools could damage the knobs.

## Mounting Diagram



# 4. OPERATION

## Control Panel Operation

To access the control panel functions, use the four buttons located underneath the display. Please refer to the Product Overview to see the button locations on the control panel.

### Button Function

<MENU> Press to find an operation mode or to back out of the current menu option

<UP> Press to scroll up the list of options or to find a higher value

<DOWN> Press to scroll down the list of options or to find a lower value

<ENTER> Press to activate a menu option or a selected value

### Menu Map

Status	Value	Function
A001- A512	001-512	Dmx mode
A__	A1_ (1-9)	Red+Orange+Blue (Slow-Fast)
	A2_ (1-9)	Yellow+White+Amber (Slow-Fast)
	A3_ (1-9)	Green+Rose+Purple (Slow-Fast)
	A4_ (1-9)	9 colors combination (Slow-Fast)
	A5_ (1-9)	3 colors combination hopping (Slow-Fast)
	A6_ (1-9)	6 colors combination hopping (Slow-Fast)
	A7_ (1-9)	3/6/9 colors combination hopping (Slow-Fast)
SA_	SA_ (1-12)	Sound-activated Sensitivity Adjusting
S1_	S1_ (1-48)	Sound Active + Auto hopping + Strobe
S2_	S2_ (1-20)	Sound Active + Auto hopping (Fast Mode)
S3_	S3_ (1-20)	Sound Active + Auto hopping (Slow Mode)
FLASH	F_ (1-9)	Strobe Mode, UP and DOWN to adjust speed
DMX	A001-512	DMX mode
SLAV		Slave mode

## **DMX Linking**

The 27W DJ Effect Light works with a DMX controller.

### **Configuration(DMX)**

Set the product in DMX mode to control with a DMX controller.

1. Connect the product to a suitable power outlet.
2. Connect a DMX cable from the DMX output of the DMX controller to the DMX input socket on the product.

## **DMX Personality and Starting Address**

When selecting a starting DMX address, always consider the number of DMX channels the selected DMX mode uses. If you choose a starting address that is too high, you could restrict the access to some of the product's channels.

The 27W DJ Effect Light uses 8 DMX channels and defines the highest configurable address to 512

To select the starting address, do the following:

1. Press <MENU> repeatedly until A001 shows on the display.
2. Use <UP> or <DOWN> to select the starting address.

## DMX Channel Assignments and Values

Channel	Value	Function
CH1	0-255	Dimmer0-100%
CH2	0-255	RED + Blue + Amber dimmer, from0-100%
CH3	0-255	White +Yellow +Orange (dimmer 0-100%)
CH4	0-255	Green +Purple+Rose (dimmer 0-100%)
CH5	0-255	Strobe effect (from slow to fast)
CH6	0-255	Rotating effect (from slow to fast)
CH7	0-9	No Function
	10-29	RED + Blue + Amber (Rotating from slow to fast)
	30-49	White +Yellow+Orange (Rotating from slow to fast)
	50-69	Green +Purple+Rose (Rotating from slow to fast)
	70-89	9 colors combination (Rotating from slow to fast)
	90-109	RED + Blue + Amber (Rotating from slow to fast)
	110-129	6 colors combination (Rotating from slow to fast)
	130-149	RED+ Blue+ Amber (Rotating from slow to fast)
	150-169	6/9 colors combination (Strobe from slow to fast)
	170-209	Sound Activated
	210-255	3/6/9 colors combination (Rotating from slow to fast)

### Configuration(Standalone)

Set the product in one of the standalone modes to control without a DMX controller. Connect the product to a suitable power outlet.

Never connect a product that is operating in any standalone mode to a DMX string connected to a DMX controller. Products in standalone mode may transmit DMX signals that could interfere with the DMX signals from the controller.

## Custom Color Mixing

To custom mix a static color, follow the instructions below:

1. Press <MENU> repeatedly until A\*\*\* shows on the display.
2. Press <MENU> repeatedly to change the color combination from A1\*\* to A7\*\* until the product outputs as desired.
3. Press <UP> or <DOWN> to increase or decrease the movement speed.

For example, to get Green + Purple + Rose and the fastest movement speed, set A3 9.

## Sound-Active Mode

To run the 27W DJ Effect Light in sound-active mode, do the following:

1. Press <MENU> repeatedly until SA\*\* or S\*\*\* shows on the display.
2. Press <MENU> repeatedly until the desired color combination (SA, S1-S7) appears.

## Strobe mode

To run the strobe mode on 27W DJ Effect Light, follow the instructions below:

1. Press <MENU> repeatedly until FL\*\* shows on the display and press <ENTER>.
2. Press <UP> or <DOWN> to increase or decrease the strobe speed (FL1-FL9).

## Master/Slave Mode (wired)

The Master/Slave mode allows a single 27W DJ Effect Light product (the “master”) to control the actions of one or more 27W DJ Effect Light products (the “slaves”) without the need of a DMX controller. The master product will be set to operate in any Stand-Alone mode, while the slave products will be set to operate in Slave

mode. Once set and connected, the slave products will operate in unison with the master product.

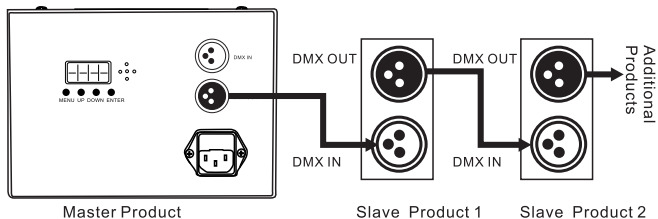
Configure the products as indicated below.

## Slave products:

1. Press <MENU> repeatedly until SLAV shows on the display and press <ENTER>.
2. Connect the DMX input of the first slave product to the DMX output of the master product.
3. Connect the DMX input of the subsequent slave products to the DMX output of the previous slave product.
4. Finish setting and connecting all the slave products.

## Master product:

1. Press <MENU> repeatedly until SLND shows on the display and press <ENTER>.
  2. Select the NAST and press <ENTER>.
  3. Set the master product to operate in any Stand-Alone mode.
  4. Make the master product the first product in the DMX daisy chain.
- Configure all the slave products before connecting the master to the daisy chain.
  - Never connect a DMX controller to a DMX string configured for Master/Slave operation because the controller may interfere with the signals from the master.
  - Do not connect more than 30 slaves to the master.



# Remote Control



Icon	Button Function	Display on Panel	Function Description
1	ON/OFF	ON/OFF	Press this button to turn on or turn off the light
2	DMX Mode (Address)	A001	Press this button for DMX mode
3	STOP/START		To pause or start the color movement
4	Music 1	S1 0	Sound-Active Mode 1
5	Music 2	S2 0	Sound-Active Mode 2
6	Music 3	S3 0	Sound-Active Mode 3
7	FLASH	FL 1	Strobe Mode
8	A1	A1(1-9)	Auto Mode: Red + Orange + Blue (Slow-Fast)
9	A2	A2(1-9)	Auto Mode: Yellow + White + Amber (Slow-Fast)
10	A3	A3(1-9)	Auto Mode: Green+ Rose + Purple (Slow-Fast)
11	A4	A4(1-9)	Auto Mode: 9 colors combination (Slow-Fast)
12	A5	A5(1-9)	Auto Mode: 3 colors combination (Slow-Fast)
13	A6	A6(1-9)	Auto Mode: 6 colors combination (Slow-Fast)
14	A7	A7(1-9)	Auto Mode: 3/6/9 colors combination (Slow-Fast)
15	SPEED+/-		Increase/decrease the speed of a program

# 5. MAINTENANCE

## Product Maintenance

Dust build-up reduces light output performance and can cause overheating. This can lead to reduction of the light source's life and/or mechanical wear. To maintain optimum performance and minimize wear, clean your lighting products at least twice a month. However, be aware that usage and environmental conditions could be contributing factors to increase the cleaning frequency.

To clean the product, follow the instructions below:

1. Unplug the product from power.
2. Wait until the product is at room temperature.
3. Use a vacuum (or dry compressed air) and a soft brush to remove dust collected on the external surface/vents.
4. Clean all transparent surfaces with a mild soap solution, ammonia-free glass cleaner, or isopropyl alcohol.
5. Apply the solution directly to a soft, lint free cotton cloth or a lens cleaning tissue.
6. Softly drag any dirt or grime to the outside of the transparent surface.
7. Gently polish the transparent surfaces until they are free of haze and lint.

Always dry the transparent surfaces carefully after cleaning them.

# 6. TECHNICAL SPECIFICATIONS

Material: Metal

Item size: 7.9 x 6.5 x 5.6 in / 20 X 16.5 X 14.2 cm

Input Voltage: 110-240V AC, 50/60Hz

Power Consumption: 27-watts

Light Source: 9LEDs x 3-watts

Net Weight: 2.87lb/ 1.3kg