

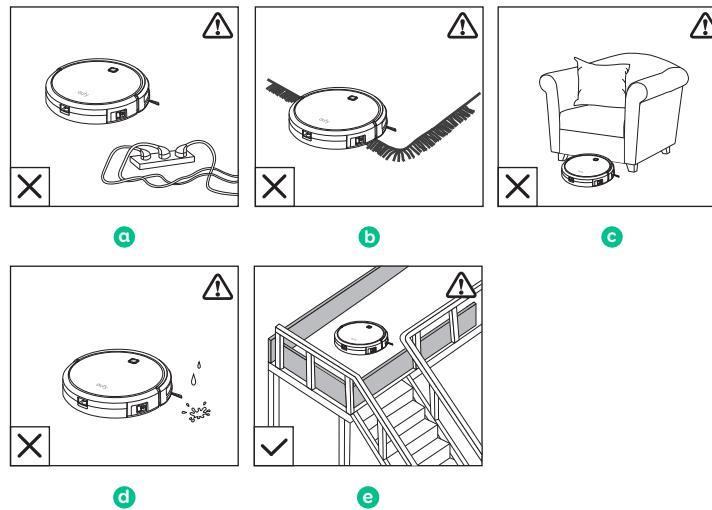


Cleaning

Quick Start Guide

RoboVac 11

Important tips

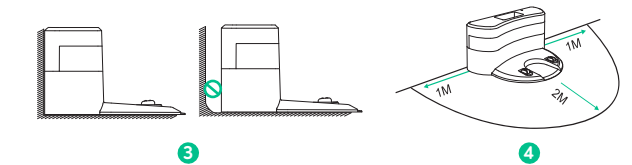


- Remove power cords and small objects from the floor that may entangle RoboVac.
- Fold tasseled edges of area rugs underneath to prevent tangling RoboVac. Do not use RoboVac on middle or long-pile carpeting.
- Avoid cleaning spaces lower than 3.9 in/98 mm to prevent RoboVac from getting stuck.
- Prevent liquid from entering RoboVac as it may cause damage.
- Anti-drop sensors prevent RoboVac from running off ledges, but it is recommended to place a physical barrier at high ledges.

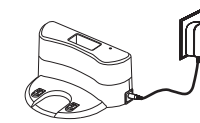
01

Using Your RoboVac

- Remove the protective film covering RoboVac and the Charging Base.
- Flip RoboVac over and snap on the side brushes.
- Place the Charging Base on a flat, hard surface and against a wall.
- Remove objects within 3 ft/1 m of the left and right side and within 6 ft/2 m of the front of the charging base.



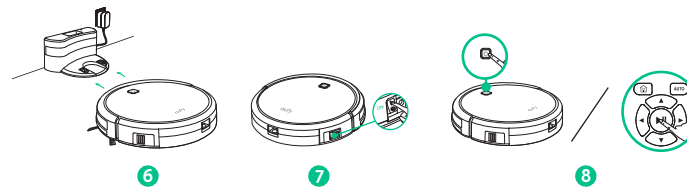
- Connect the round connector of the adapter into the power socket on the Charging Base and the other end into a wall outlet.



- Install the Charging Base in a location that RoboVac can easily access.
- Always keep the Charging Base plugged in, otherwise RoboVac will not automatically return to it.

02

- Attach RoboVac to the Charging Base by aligning its charging pins with the charging pins on the base.
- Press the power switch on the side of RoboVac to turn on the main power supply.
- Press on RoboVac or on the remote control to start cleaning in Auto Mode.

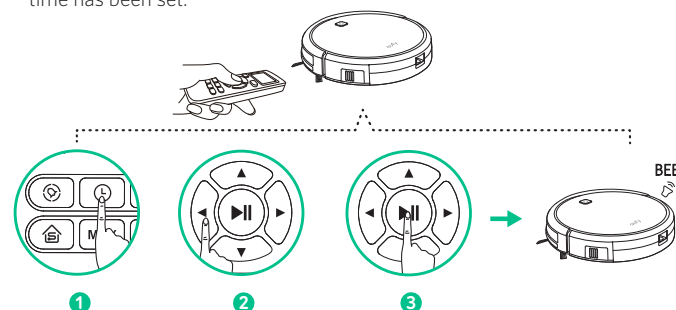


- Press on RoboVac or on the remote control to stop cleaning.

Time Setting

Make sure you point the remote control directly at RoboVac and RoboVac is on.

- Press on the remote control. will display on the screen..
- Press to set the "hour" and "minute".
- Press or to save the setting. RoboVac will BEEP once to indicate the time has been set.



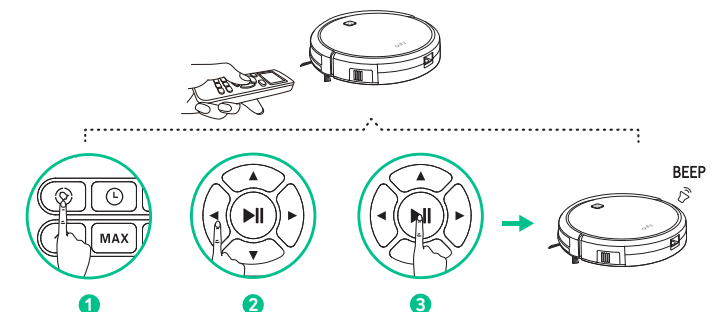
To ensure the time is set successfully, point the remote control directly at RoboVac and make sure RoboVac is on. You will hear a beep when the time has been set.

Scheduled Cleaning

You can schedule RoboVac to start cleaning at a particular time. To cancel a previously scheduled cleaning, long press for 3 seconds until RoboVac beeps twice and disappears.

- You must set the time before setting a scheduled cleaning.
- Make sure the time has been set correctly and you point the remote control directly at RoboVac.

- Press on the remote control. will display on the screen.
- Press to set the "hour" and "minute".
- Press or to save the setting. RoboVac will BEEP once to indicate the schedule has been set.



- To ensure the schedule is set successfully, point the the remote control directly at RoboVac and make sure RoboVac is on. You will hear a beep when the schedule has been set.
- When using the Power Adaptor to charge RoboVac, you cannot set a scheduled clean, and the previously scheduled cleaning will not start.
- All settings will be erased when RoboVac is turned off or when the battery power is exhausted. You will need to reset the time and reschedule the cleaning time.

eufy

For FAQs and more information, please visit:
www.eufylife.com

Product model:T2102
SM-A535-V01

03

04