

TRUXPORT®

Another Fine Tonneau Cover by TruXedo

Owners & Installation Manual

READ INSTRUCTIONS - Failure to assemble cover properly will void warranty.



Damaged or missing parts?
Call **1-877-878-9336**
Mon - Fri 8 am - 5 pm CT
Parts will be shipped to you factory direct.
Do not return kit to place of purchase.

Specify length or make and model of vehicle to inquire about headers, cover, side rails, or bows.

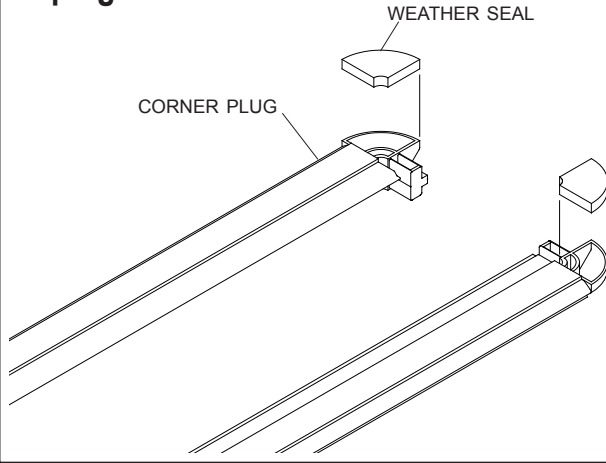
Tools Required:
1/2" Socket

TruXedo, Inc.

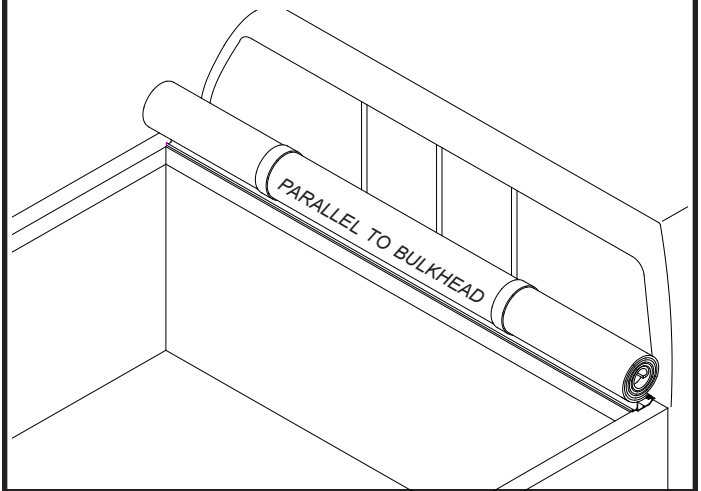
P.O. Box 1078, 2209 Kellen Gross Dr., Yankton, South Dakota 57078
Call Toll Free: 1-877-TRUXEDO (1-877-878-9336) FAX: (605) 664-9304
Visit Us Online: <http://www.truxedo.com>

P/N 1116032 Rev R

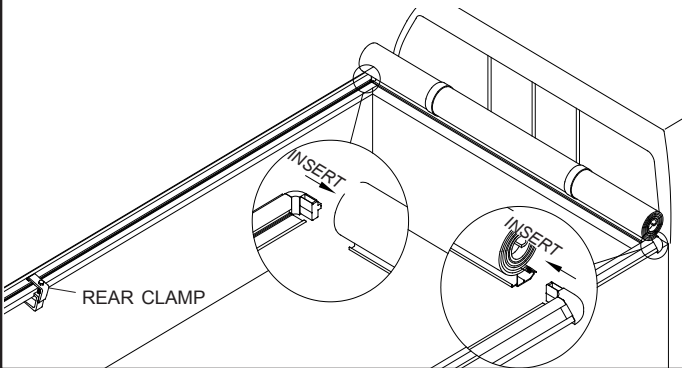
1 Install weather seal on cab end corner plugs:



2 Set cover assembly on front bulkhead:



3 Place side rails on pickup bed rails. Assemble clamps. Place rear clamps loosely over side rails & pickup bed rails. Insert side rail corner plugs into header:



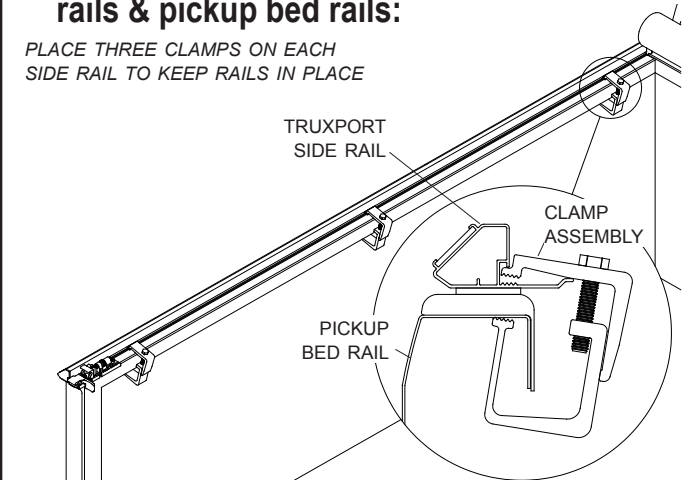
4

NOTE:

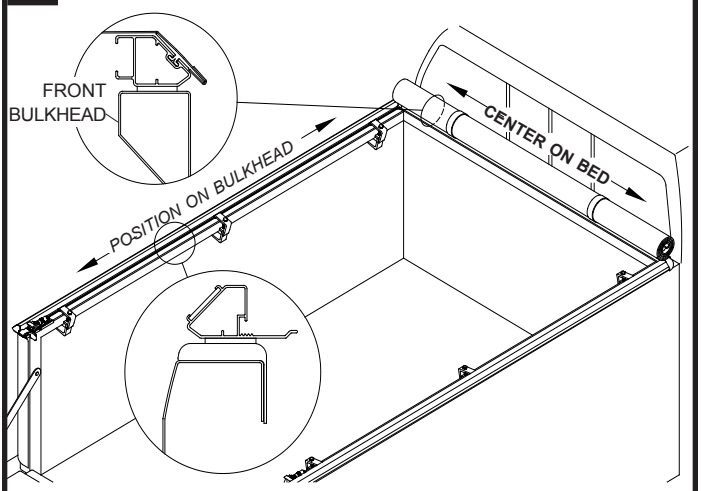
Additional weather seal may be required for pickups with bed caps, tailgate protectors, or liners. Add weather seal if needed to seal appropriately.

5 Place remaining clamps loosely over side rails & pickup bed rails:

PLACE THREE CLAMPS ON EACH SIDE RAIL TO KEEP RAILS IN PLACE



6 Align cover with pickup bed:

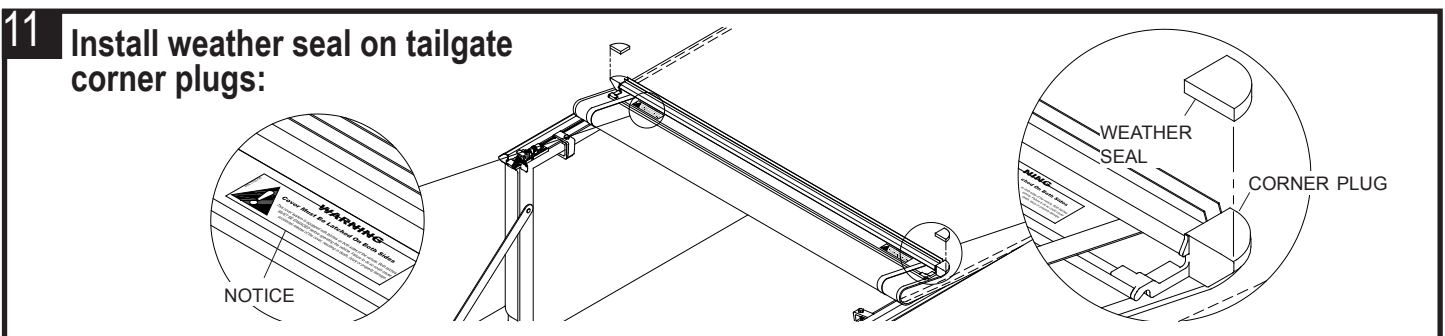
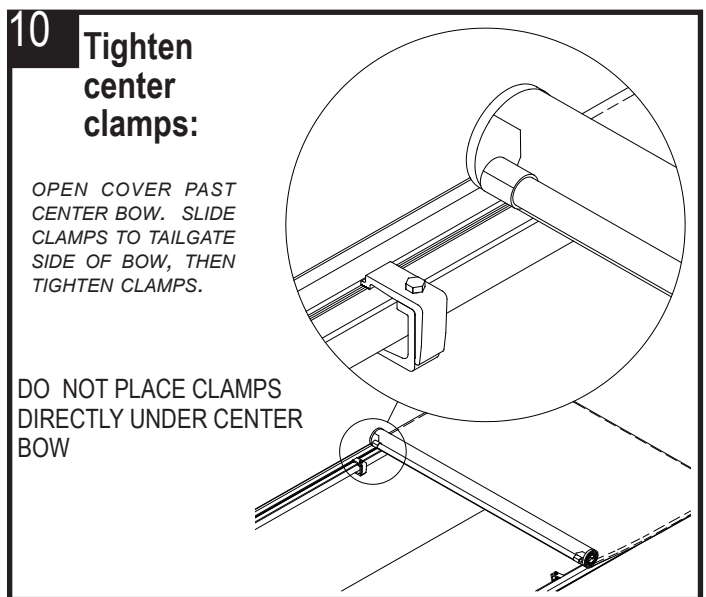
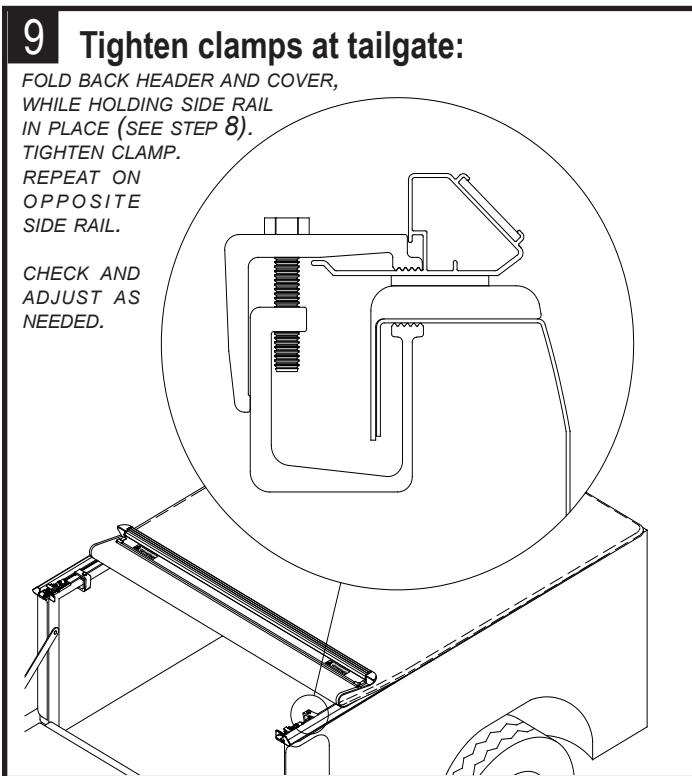
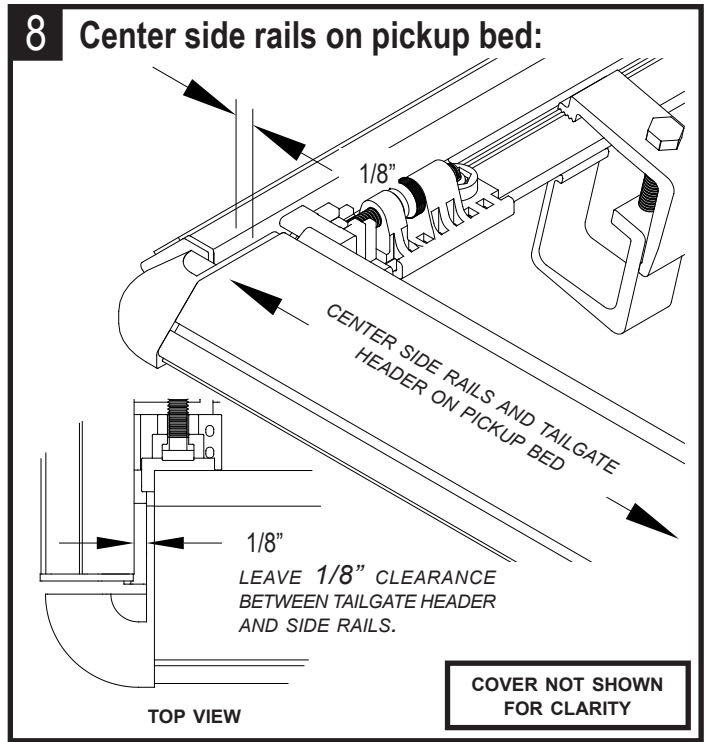
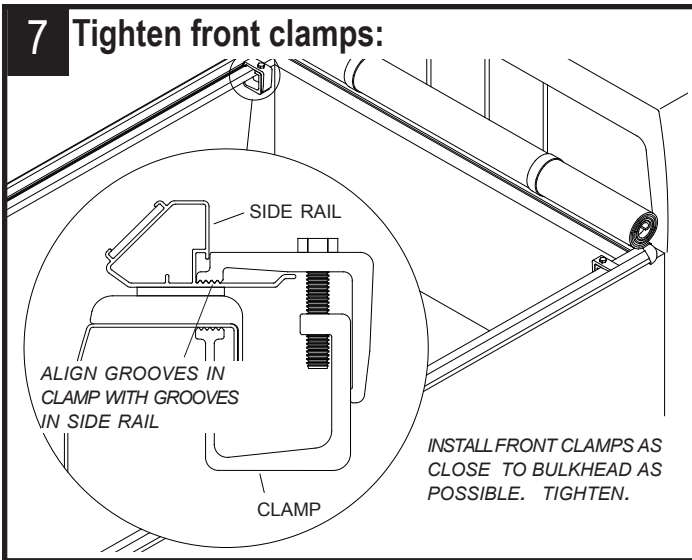


TruXedo, Inc.

P.O. Box 1078, 2209 Kellen Gross Dr., Yankton, South Dakota 57078
Call Toll Free: 1-877-TRUXEDO (1-877-878-9336) Fax: (605) 664-9304
Visit Us Online: <http://www.truxedo.com>



P/N 1116032 Rev R

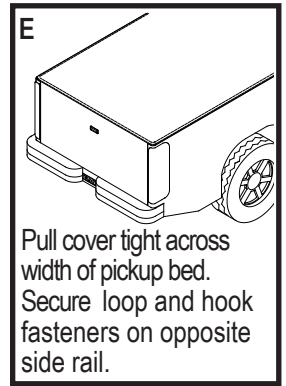
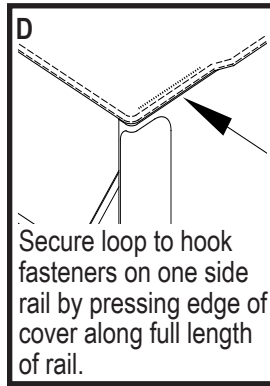
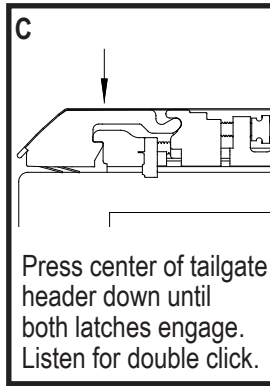
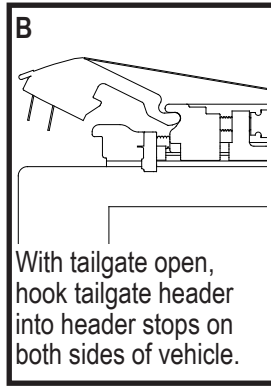


TruXedo, Inc.

P.O. Box 1078, 2209 Kellen Gross Dr., Yankton, South Dakota 57078
 Call Toll Free: 1-877-TRUXEDO (1-877-878-9336) Fax: (605) 664-9304
 Visit Us Online: <http://www.truxedo.com>



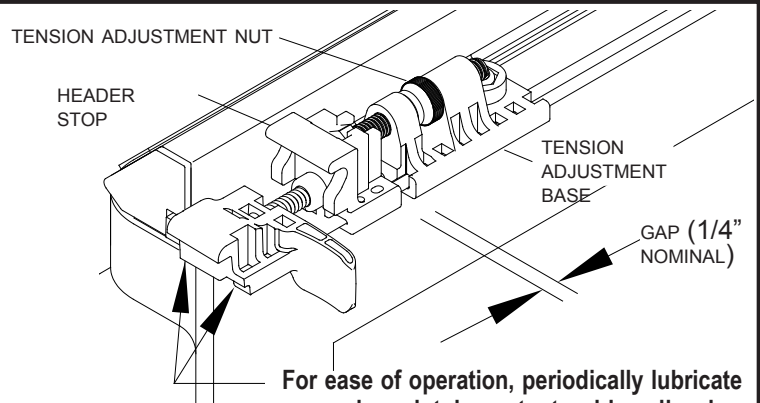
12 Close cover:



- To prevent accidental release of tailgate header, ensure header is securely latched to side rails on both sides of pickup bed before driving vehicle.
- To prevent wind lift, secure loop and hook fasteners along entire length of both side rails before driving vehicle.

13 Adjust cover tension:

- To adjust tension, open cover slightly. Locate tension adjustment nut at tailgate end of each side rail. Turn nut to widen or reduce gap between header stop and tension adjustment base. Increase width of gap to increase tension, or reduce width of gap to reduce tension. Release loop and hook fasteners on both sides of cover.
- Close cover and recheck tension. Repeat as required to achieve desired cover tension.



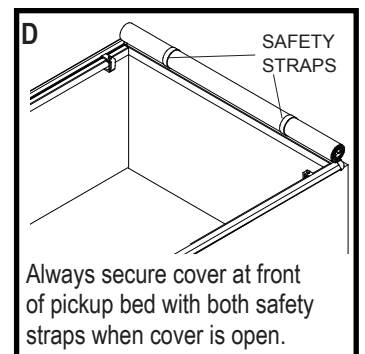
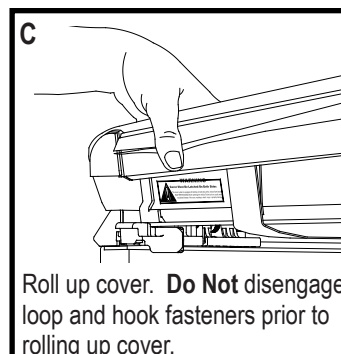
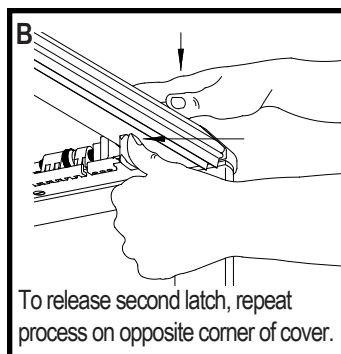
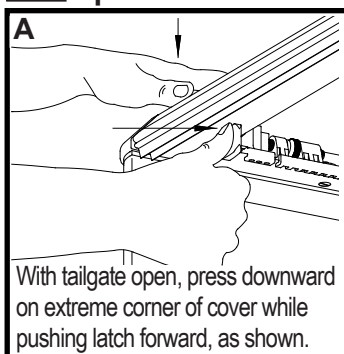
For ease of operation, periodically lubricate area where latch contacts side rail using silicon lubricant.

NOTE: Cover is designed to have optimal tension when there is a 1/4" gap between the header stop and the tension adjustment base.

Do not over tighten cover. If cover is too tight, it will not latch easily.

- For best performance, and to protect your cover against wind wear, adjust tension regularly.
- Check cover tension after installation, seasonally, and after extreme temperature changes.
- Set tension during the warmest part of the day.

14 Open cover:



IMPORTANT: Press down only on extreme corners of cover while opening cover, or opposite corner of cover may re-latch.

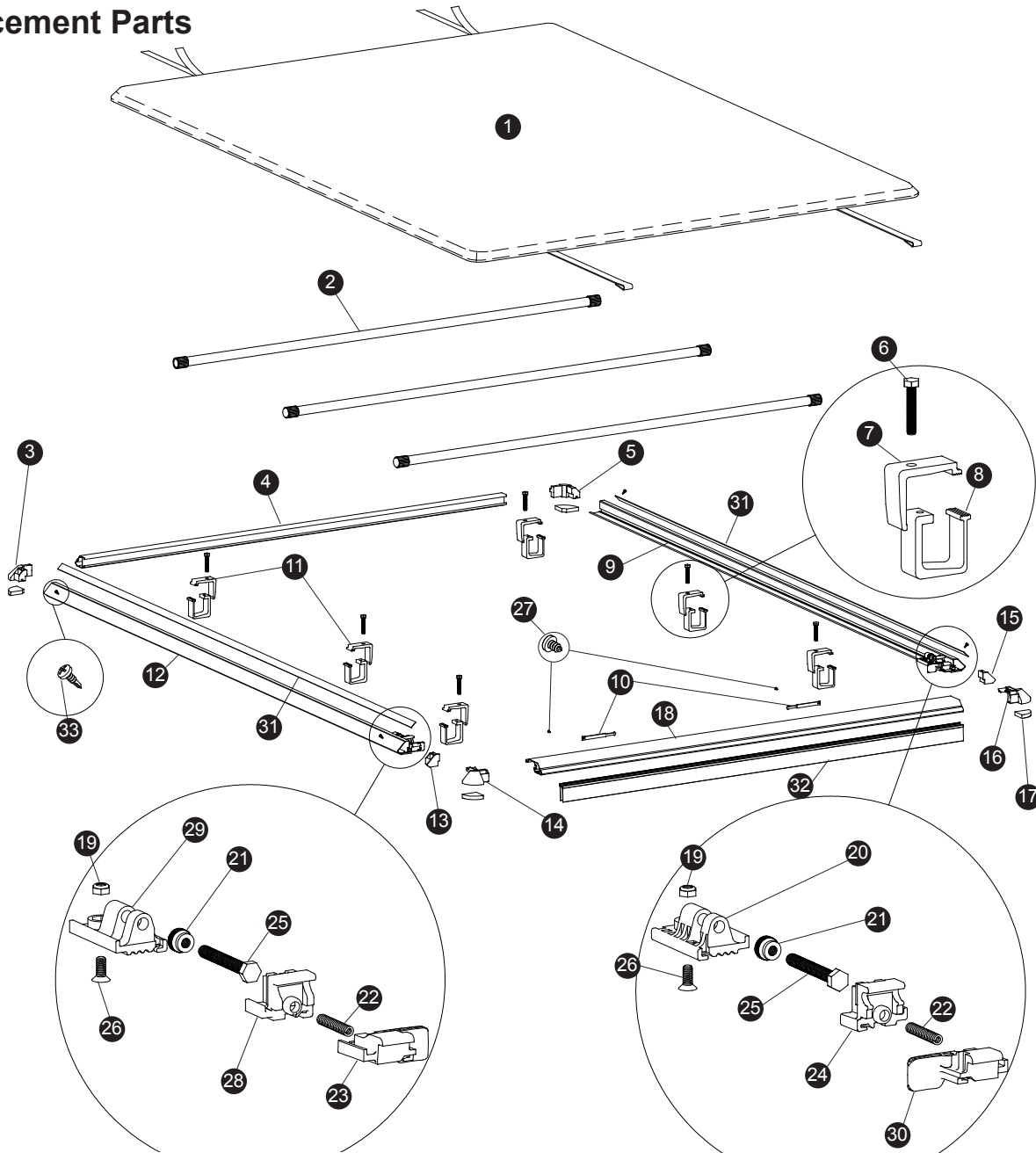
TruXedo, Inc.

P.O. Box 1078, 2209 Kellen Gross Dr., Yankton, South Dakota 57078
 Call Toll Free: 1-877-TRUXEDO (1-877-878-9336) Fax: (605) 664-9304
 Visit Us Online: <http://www.truxedo.com>



P/N 1116032 Rev R

Replacement Parts



- 1 * Truxport® Cover
- 2 * Bow
- 3 1703558 Corner Plug
- 4 * Cab End Header
- 5 1703557 Corner Plug
- 6 1703548 Cap Screw, 5/16" x 1 3/4"
- 7 1703530 Male Clamp
- 8 1703531 Female Clamp
- 9 * Passenger's Side Rail
- 10 1116028 Safety Clips
- 11 1703561 Clamp Assembly
- 12 * Driver's Side Rail
- 13 1703569 End Plug
- 14 1703967 Corner Plug - Driver's Side
- 15 1703570 End Plug
- 16 1703968 Corner Plug - Passenger's Side
- 17 1703568 Weather Seal

- 18 * Tailgate Header
- 19 1200765 Nylon Lock Jam Nut, 5/16"
- 20 1703556 Tension Adjustment Base, Pass. Side
- 21 1703537 Thumb Nut, 5/16"
- 22 1703559 Compression Spring
- 23 1703554 Push Lock, Driver's Side
- 24 1703725 Header Stop Latch, Passenger's Side
- 25 1703539 Cap Screw, 5/16" x 2 1/2"
- 26 1703560 Flat Head Cap Screw, 1/4" x 5/8"
- 27 1703973 Self-Drilling Screw, #6 x 1/4"
- 28 1703552 Header Stop Latch, Driver's Side
- 29 1703555 Tension Adjustment Base, Driver's Side
- 30 1703724 Push Lock, Passenger's Side
- 31 * Hook Fastener
- 32 * Rear Header Seal
- 33 1703690 Self-Drilling Screw, #6 X 3/8"

* Please specify length or make and model of vehicle.

TruXedo, Inc.

P.O. Box 1078, 2209 Kellen Gross Dr., Yankton, South Dakota 57078
 Call Toll Free: 1-877-TRUXEDO (1-877-878-9336) Fax: (605) 664-9304
 Visit Us Online: <http://www.truxedo.com>



P/N 1116032 Rev R

FIVE YEAR WARRANTY

TruXedo, Inc. warrants that all new, unused products are free from defects in material and workmanship. This Five Year Limited Warranty is effective if the product is properly installed and used for the purpose intended. It applies to the original buyer only. TruXedo's obligation under this Warranty is limited to repairing, or at its option, replacing any part that is returned, transportation prepaid, to TruXedo, Inc., Yankton, South Dakota, if the product is, in our judgment, defective. All materials must be accompanied by an RMA (Returned Material Authorization) number requested by and authorized in advance of returning the materials. TruXedo, Inc. shall not be liable or responsible to supply or pay labor to replace any part found defective, nor shall it be liable for any damages of any kind or nature to person, product, or property.

There are no Warranties for used products or products that have been repaired, altered, modified, subjected to misuse, negligence, accident or ordinary wear and tear.

TruXedo, Inc. products are sold without any express warranty except as set forth above. TruXedo, Inc. is not obligated to honor warranty claims if Genuine TruXedo, Inc. parts are not utilized.

DIRECT ALL WARRANTY CLAIMS TO TRUXEDO, INC. AT 1-877-878-9336



WARNING

Tighten clamps securely on side rails before driving vehicle, to prevent cover from blowing off.

SAFETY INSTRUCTIONS

1. Do not place objects on or against cover or framework.
2. Do not tie cargo to TruXport framework.
3. **Never** allow children or pets to occupy pickup box while cover is closed.
4. Cover is not airtight. Special care is required to keep cargo clean and dry.
5. Fabric cover won't prevent theft of contents inside truck box.
6. Cover must be rolled fully open and secured with safety straps when towing vehicle backwards.
7. Opened cover must be secured with both safety straps when driving vehicle.

OWNER/USER RESPONSIBILITIES

It is the responsibility of the owner/user to read this manual and comply with the operating procedures. The owner/user is also responsible for inspecting their TruXport® cover, and for having parts repaired or replaced when worn or damaged.

Failure to follow safety instructions and warning labels could result in failure of your cover system and/or personal injury.

MESSAGES TO INSTALLER

- Always wear safety glasses and/or other necessary protective equipment when installing your TruXport®.
- These instructions are complete for most pickup models. Additional instructions are included, if required for your pickup. Please read entire manual before installing your TruXport®.

COVER MAINTENANCE

Vinyl cover can be hand washed with mild soap and water or cleaned in a car wash. Thoroughly rinse cover to remove any soap residue. Cover can be treated with any vinyl protectant made for tonneau covers.

Never use silicon, petroleum, or citrus based products on your tonneau cover.

Questions?

Call our friendly customer service staff at TruXedo, Inc. Toll Free:

1-877-878-9336

Mon - Fri 8 am - 5 pm CT

Register online at www.truxport.com or mail this form to: TruXedo, P.O. Box 1078, Yankton, SD 57078-1078

Name: _____

Address: _____

City: _____ State: _____ Zip: _____

Phone Number: _____

Email Address: _____

Date Purchased: _____

Price Paid: _____

Dealer Name: _____

Pickup Make: _____

Model: _____

Year: _____

Product Purchased:

TruXedo Lo Pro QT

TruXedo Deuce

TruXport

Original TruXedo

TruXedoPlus

TruXedo, Inc.

P.O. Box 1078, 2209 Kellen Gross Dr., Yankton, South Dakota 57078

Call Toll Free: 1-877-TRUXEDO (1-877-878-9336) Fax: (605) 664-9304

Visit Us Online: <http://www.truxedo.com>



P/N 1116032 Rev R