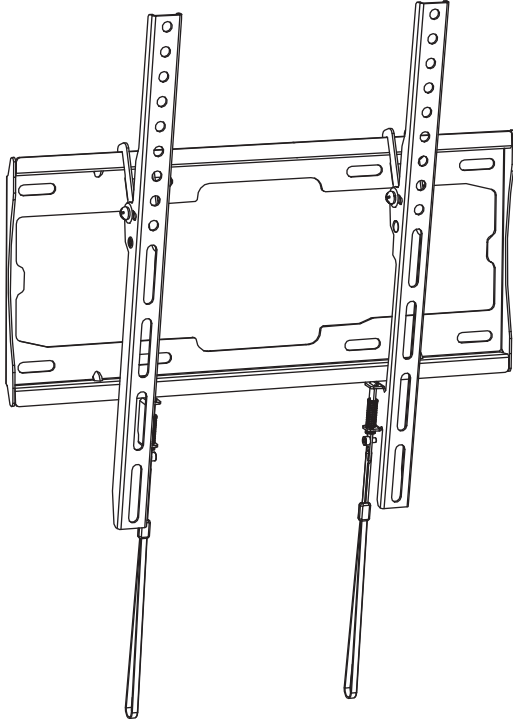


Installation Instruction

V1.0



PIMTK1

Thank you for choosing our product! We strive to provide the best quality and services for our customers. Would you kindly share your experience on Amazon if you are satisfied? Should you have any issues, please don't hesitate to contact us.

Telephone: 800-556-9829 Mon-Fri 10am - 6pm (PST) (USA) (CAN)

Email: supportus@pipishell.net (US/CA/DE/UK/FR/IT/ES/JP/AU)

WARNING

WARNING! SEVERE PERSONAL INJURY AND PROPERTY DAMAGE CAN RESULT FROM IMPROPER INSTALLATION OR ASSEMBLY. READ FOLLOWING WARNINGS BEFORE BEGINNING.

- If you do not understand the instructions or have any concerns or questions, please contact a qualified installer.
- Do not install or assemble if the product or hardware is damaged or missing. Not all parts and hardware included must be used. If you require replacement parts, contact customer service at supportus@pipishell.net
- This product may contain moving parts. Use with caution.

Tools Needed (Not Included)



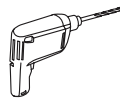
Stud Finder



Tape measure



Pencil



Drill



7/32 in.(5.5mm)
Wood Drill



25/64 in.(10mm)
Concrete Drill



1/2 in.(13mm)
Socket Wrench

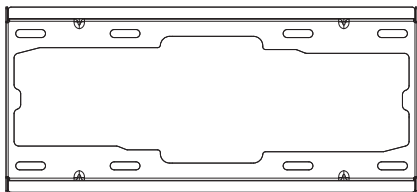


Screw Driver

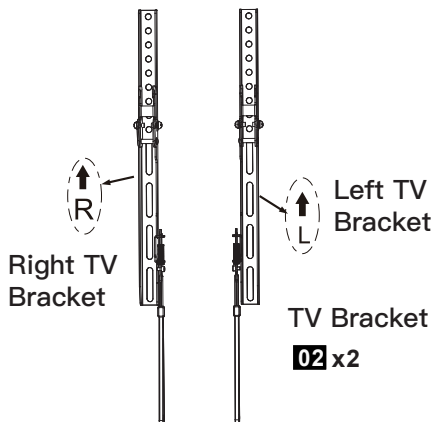


Hammer

Hardware Included



Wall Plates **01** x1



Hardware Included

Hardware (Wall/Product)

Lag Bolts
M8X65mm



x4

A1

Washers
Ø8mm



x4

A2

Level



Wall
Anchor
x4

A3



CAUTION!

These anchors are for
concrete or brick walls
ONLY. DO NOT use them
in drywall or wood studs.

TV Screws / Washers

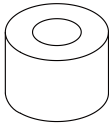
Washers
Ø6mm
M4-5-6



x4

B1

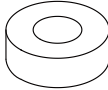
Spacers
L10mm



x8

B2

Spacers
L5mm



x8

C

Philips Screws
M6 x 15mm
M6 x 30mm



x4

D1



x4

D2

Philips Screws
M8 x 15mm
M8 x 45mm



x4

E1



x4

E2

Philips Screws
M4 x 30mm

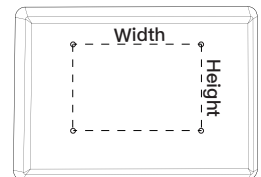


x4

F

Step 1-1 Measure VESA

Measure the distance between the holes located at the back of your TV (these measures may form the shape of a square, or a rectangle) and check that these taken measures are within the VESA (*) range for this wall mount. (*) VESA: International standard established by the TV manufacturers used to determine if LCD/LED TVs are compatible with wall mounts.

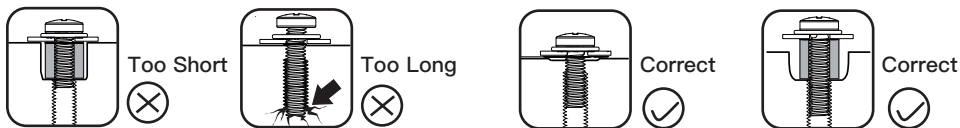


Step 1-2 Select TV hardware

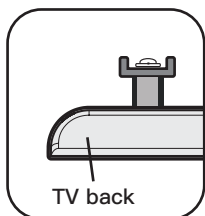
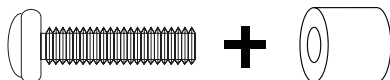
- 1 Bolt diameter: hand thread bolts into threaded inserts on the back of TV to determine the correct bolt diameter (M4, M6, M8)

Step 1-2 Select TV hardware

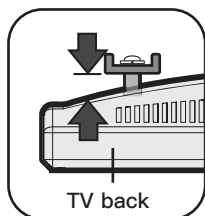
- 2** Bolt length: verify adequate thread engagement with bolts or bolts/spacers combination.
We recommend thread engagement by at least 5 turns.
- Too short will not hold the TV.
 - Too long will damage the TV.



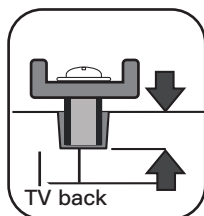
- 3** Bolt and spacer combination: spacers sometimes are needed to combine with bolts for several situation.



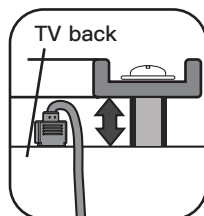
Add distance to wall



Irregular back



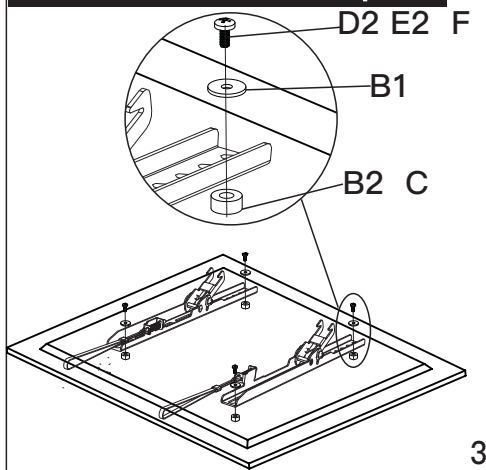
Insert



Cables

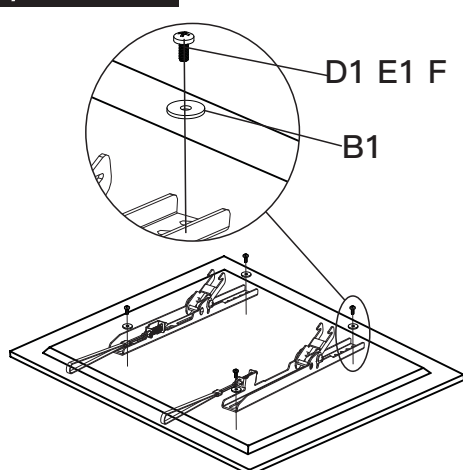
Step 1-3 Attach the TV Bracket

(b) Round Back / Extra Space



3

(a) Flat Back



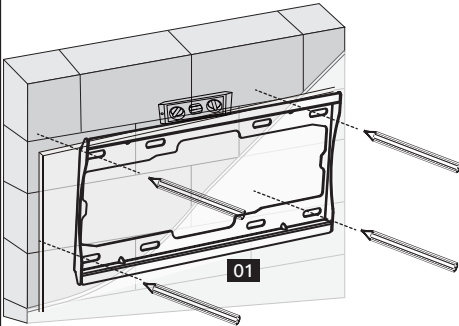
Step 2A Wall Plate Install (Concrete Wall)

⚠ CAUTION :

Ensure the wall plate is securely fastened to the wall before continuing on to the next step. These anchors are for concrete or brick walls ONLY. DO NOT use them in drywall or wood studs.

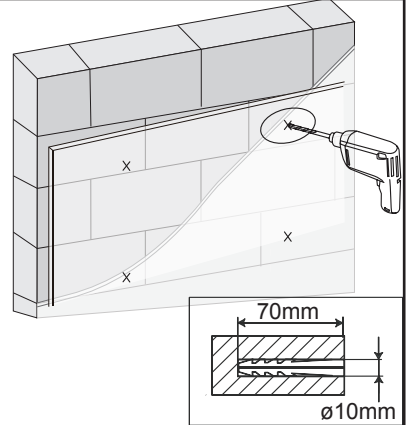


2A-1



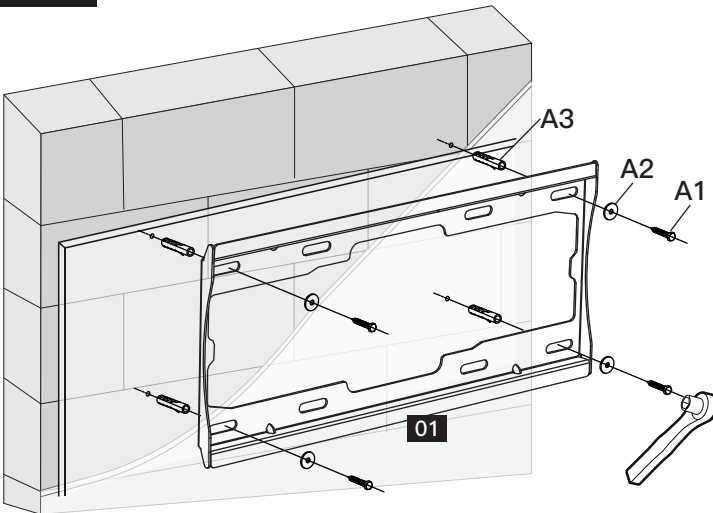
Position the wall plate at your desired height, level the wall plate and mark the pilot hole locations.

2A-2

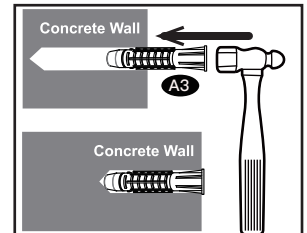


Drill 4 pilot holes using a 25/64 in.(10mm) diameter drill bit. Make sure the depth is not less than 2 3/4 in. (70 mm)

2A-3



Install wall plate using lag bolts A1, washers A2 and anchors A3. Tighten the lag bolts until they are pulled firmly against the wall plate.



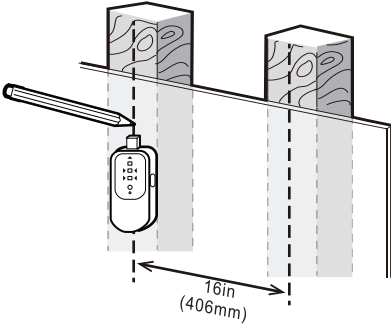
Step 2B Wall Plate Install (Wood stud)

⚠ CAUTION :

Ensure the wall plate is securely fastened to the wall before continuing on to the next step. These anchors are for concrete or brick walls ONLY. DO NOT use them in drywall or wood studs.

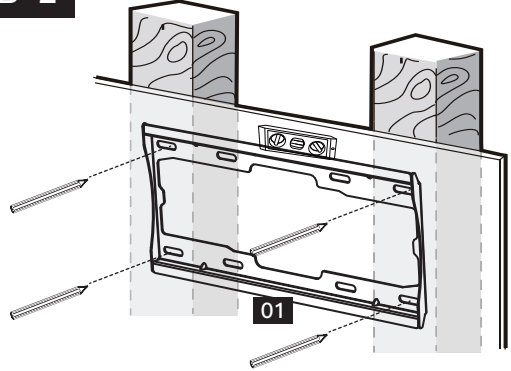


2B-1



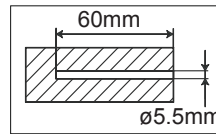
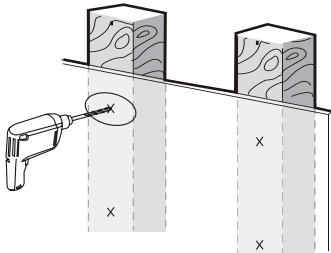
Use a stud finder(not included)to locate wood studs. Mark the edge and center locations.

2B-2



Position the wall plate at your desired height and lineup the holes with your stud center line. Level the wall plate and mark the holes.

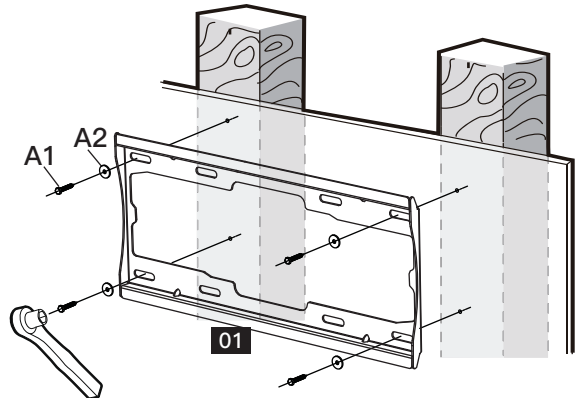
2B-3



Drill 4 pilot holes using a 7/32 in(5.5 mm) diameter drill bit. Make sure the depth is not less than 2 3/8in (60mm)

2B-4

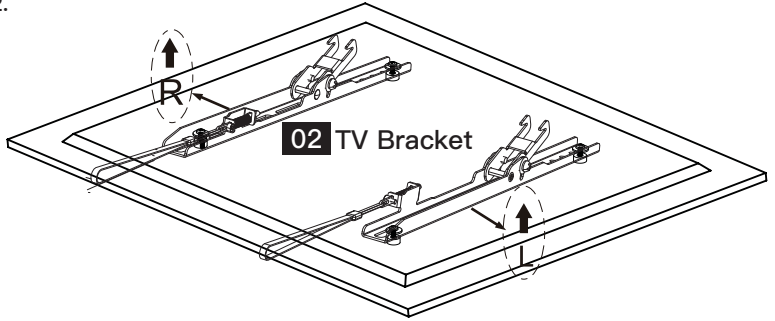
Install the wall plate 01 using lag bolts A1 and washer A2. Tighten the lag bolts A1 until they are pulled firmly against the wall plate 01.



1/2 in.(13mm)
Socket Wrench

Step 3 Tighten Nuts

Adjust the tilting angle with the Allen wrench for both 02.



Step 4 Hang the TV onto the wall plate

