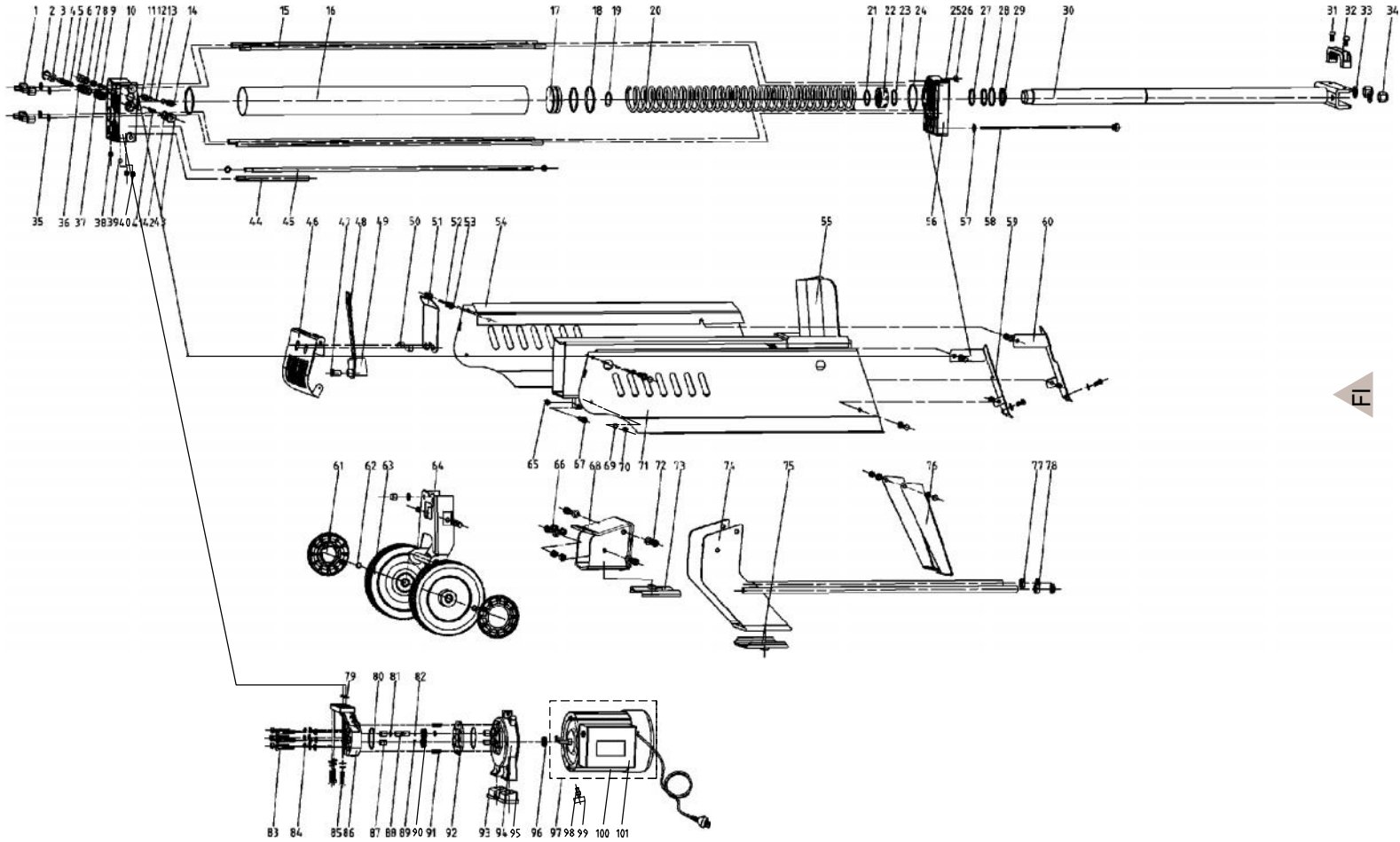


Úsæð Ásátt ÁT [á^Áíííí ÁÁ ÁUP



FI

Parts List Model 65575 7 Ton

Part No..	Description	Quantity
LS7T-52-1	NUT	4
LS7T-52-2	Circlip	1
LS7T-52-3	WASHER	6
LS7T-52-4	VALVE CORD	1
LS7T-52-5	O-RING	1
LS7T-52-6	VALVE RETRACT SPRING SEAT	1
LS7T-52-7	O-RING	4
LS7T-52-8	SPRING	1
LS7T-52-9	VALVE CORE	1
LS7T-52-10	ALUMINIUM COVER (REAR)	1
LS7T-52-11	VALVE SLEEVE	1
LS7T-52-12	O-RING	2
LS7T-52-13	ADJUSTING SPRING OF VALVE CORE	1
LS7T-52-14	SEAT OF ADJUSTING SPRING	1
LS7T-52-15	STUD	4
LS7T-52-16	CYLINDER	1
LS7T-52-17	PISTON	1
LS7T-52-18	WASHER	1
LS7T-52-19	O-RING	1
LS7T-52-20	RETRACT SPRING	1
LS7T-52-21	Circlip	1
LS7T-52-22	CIRCLIP	1
LS7T-52-23	O-RING	1
LS7T-52-24	O-RING	2
LS7T-52-25	O-RING	1
LS7T-52-26	BATTERFLY BOLT	1
LS7T-52-27	BELT	1
LS7T-52-28	RING	1
LS7T-52-29	SEAL	1
LS7T-52-30	Piston Rod	1
LS7T-52-31	BOLT	2
LS7T-52-32	PLASTIC HANDLE	1
LS7T-52-33	WASHER	2
LS7T-52-34	NUT	2
LS7T-52-35	COPPER GASKET	4

Part No..	Description	Quantity
LS7T-52-36	SLIDING PRESSURE SENSOR SLEEVE	1
LS7T-52-37	O-RING	4
LS7T-52-38	ADJUSTING SCREW	2
LS7T-52-39	STEEL SALL	1
LS7T-52-40	UNILATERAL VALVE	1
LS7T-52-41	SPRING	1
LS7T-52-42	O-RING	1
LS7T-52-43	Valve SEAT	1
LS7T-52-44	INPUT OIL TUBE	1
LS7T-52-45	OIL TUBE DIFFERENTIAL	1
LS7T-52-46	COVER BAFFLE	1
LS7T-52-47	CONTRAL HANDLE NUT	1
LS7T-52-48	CONTROL LEVER COVER	1
LS7T-52-49	CONTROL LEVER	1
LS7T-52-50	NUT CAP	3
LS7T-52-51	CLAPBOARD	1
LS7T-52-52	BOLT	12
LS7T-52-53	WASHER	21
LS7T-52-54	GUARD (L)	1
LS7T-52-55	FRAME WELDMENT	1
LS7T-52-56	CYLINDER COVER FRONT	1
LS7T-52-57	WAHSER	1
LS7T-52-58	DIPSTICK	1
LS7T-52-59	GUARD COVER (R)	1
LS7T-52-60	GUARD COVER (L)	1
LS7T-52-61	WHEEL COVER	2
LS7T-52-62	CIRCLIP FOR SHAFT	2
LS7T-52-63	TIRE	2
LS7T-52-64	WHEEL BRACKET	1
LS7T-52-65	NUT	5
LS7T-52-66	NUT	4
LS7T-52-67	SCREW	1
LS7T-52-68	LOG PUSHER	1
LS7T-52-69	WASHER	4
LS7T-52-70	SCREW	4
LS7T-52-71	GUARD (R)	1
LS7T-52-72	BOLT	4
LS7T-52-73	PLASTIC INSERTS	1

Part No..	Description	Quantity
LS7T-52-74	PLASTIC INSERTS	1
LS7T-52-75	LOG PUSHER CONNECTION	1
LS7T-52-76	WELDMENT BRACKET	1
LS7T-52-77	NUT	2
LS7T-52-78	SPRING WASHER	2
LS7T-52-79	O-RING	2
LS7T-52-80	O-RING	2
LS7T-52-81	SNAP WASHER-SHAFT	2
LS7T-52-82	STEEL BALL	1
LS7T-52-83	BOLT	6
LS7T-52-84	SPRING WASHER	9
LS7T-52-85	BOLT	3
LS7T-52-86	GEAR PUMP COVER	1
LS7T-52-87	SLIDING PRESSURE SENSOR SLEEVE	4
LS7T-52-88	Gear Shaft	1
LS7T-52-89	PIN	1
LS7T-52-90	GEAR	2
LS7T-52-91	PIN	2
LS7T-52-92	GEAR HOUSING PLATE	1
LS7T-52-93	GASKET OF RUBBER FOOT (R)	1
LS7T-52-94	MOTOR COVER	1
LS7T-52-95	GASKET OF RUBBER FOOT (L)	1
LS7T-52-96	SEAL	1
LS7T-52-97	MOTOR & SWITCH	1
LS7T-52-98	NUT	1
LS7T-52-99	BOLT	1
LS7T-52-100	MOTOR	1
LS7T-52-101	SWITCH BOX	1