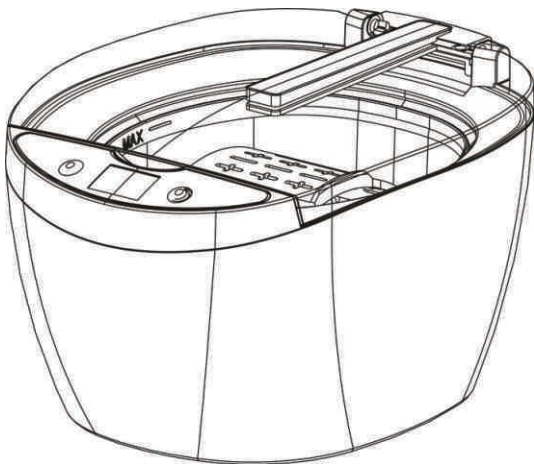


VIVREAL

# User Manual

Ultrasonic cleaner

SU-768



**Please Read The Manual Before Using**

Thank you for purchasing the VIVREAL Ultrasonic Cleaner. With the VIVREAL Ultrasonic Cleaner, it's now easier than ever to give your product a thorough clean.

## Important Safeguards

To avoid serious injury, observe the following precautions:

### ▲ Shock hazard.

- Never immerse device in water or other liquid. If the device falls into water, do not touch. Unplug first.
- Never touch the power cord or plug with wet hands.
- Unplug by grabbing the power plug, not the cord.
- Protect device from damage. Do not use if any part of the plug, cord, electrical housing or device is damaged. Inspect device regularly.
- Do not disassemble the device or attempt repairs yourself; contact Vivreal.
- Turn device off and keep unplugged at all times when not in use.
- Use only in a properly grounded, polarized outlet. Do not remove or alter the grounding prong or use with adaptors.
- Unplug unit before filing or draining.

### ▲ Burn hazard

- Do not touch inside of device or liquid during cleaning.
- Allow device to cool before attempting to clean or service.
- Unplug device before cleaning or if malfunction occurs.

### ▲ Fire hazard

- Do not clean or use device with flammable solution or other explosive liquids.
- Keep device vents free from lint, dust, hair and other obstructions.
- Use device on clean, flat, dry, hard surface.
- Never operate the device unattended.
- Do not operate device dry.

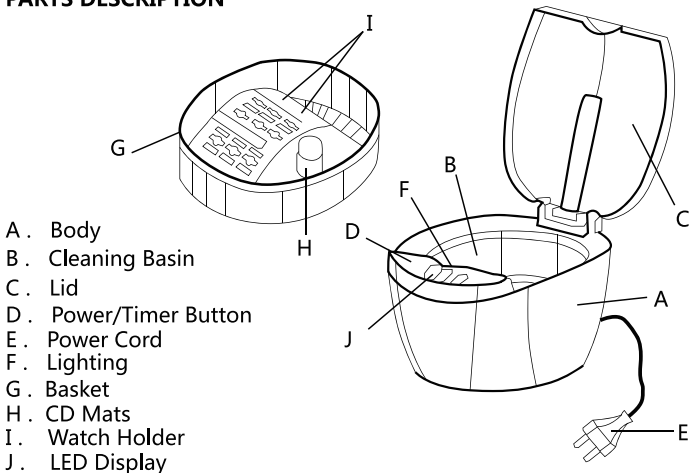
### ▲ Misuse can corrode or degrade condition of case or ammunition, and create a dangerous condition.

- Do not use this device to clean loaded ammunition or primed cases. Doing so can dampen propellant and/or primer mix, and result in misfire or hangfire.

# Ultrasonic cleaner

## SU-768

### PARTS DESCRIPTION



### Working Principle

Ultrasonic cleaning has long been recognised as one of the most effective methods of cleaning across a diverse range of applications. No other method is as fast or efficient for cleaning hard substrates or intricate parts as ultrasonic cleaning.

### WHY I NEED THIS VIVREAL ULTRASONIC CLEANER?

When you have small or intricate parts that need to be cleaned, VIVREAL ultrasonic cleaner will do much of the help. This also applies to equipment that can be easily damaged or become rusty. The cleaning process used in an ultrasonic cleaner ensures an efficient, deep clean without the use of chemicals that could ultimately affect the condition of the object.

## Features

- ◆ Moisture-proof printed circuit board for safe and durable use.
- ◆ Auto shut off.
- ◆ 5 cycles adjustable with digital display.

## Operation Instruction

1. Open the lid of the device and place the object into the cleaning container, and then fill with water. (The water should cover the object but not exceed the MAX mark)

**Running without water can damage the unit**

2. Add appropriate solution into the water.

**Ask sellers of the objects to know the appropriate solution.**

3. Close the lid. Plug in unit to electric outlet, the LED timer will be flashing in two seconds.

4. Press timer button to choose different working time, which will be shown from (180s-280s-380s-480s-90s), please press POWER button to start cleaning after you select a cleaning time.

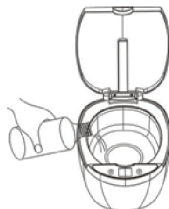


5. After the selected cleaning time (180s-280s-380s-480s-90s), the product automatically stops. For another cleaning cycle, just repeat above process. (However, we recommend that you wait at least 5 minutes between cleaning processes)

6. After the cleaning has been finished, Please turn off the unit and unplug the unit. Open the lid and remove the cleaned object from the device.

## Item Cleaning :

- √Flat lay items. Don' t stack items.
- √Know the correct solution through contacting sellers of the items.
- √Drip several drops of solution (depend on degree of fouling) in water before turning the machine on.
- √Warm water would be efficient in cleaning oil stained items.
- √Clean again by tap water after using solution.



**ATTENTION:**

Antique jewelry, jewelry containing loose stones, and jewelry containing soft/porous stones like pearls, emeralds, amber and opal should not be cleaned in the ultrasonic cleaner. If you are unsure about whether you should use the ultrasonic cleaner on your specific type of jewelry, please consult your sellers of the items.

 antique jewelry

 pearl

 emerald

 amber

 onyx

 opal

**Maintenance**

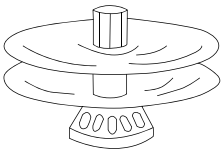
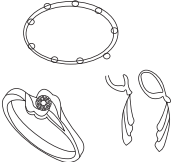
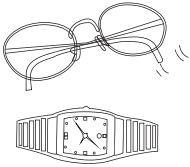

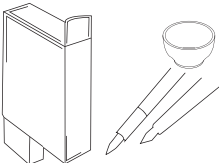

After cleaning, please disconnect the power and pour the water (DO NOT keep the water in cleaning tank for a long time). With a dry towel to wipe the cleaning tank and machine surface (DO NOT directly wash to prevent electric shock).

- ▲ AFTER USING THE PRODUCT, KEEP IT IN A DRY PLACE
- ▲ DO NOT IMMERSE BOTTOM OF THE ULTRASONIC CLEANER INTO WATER

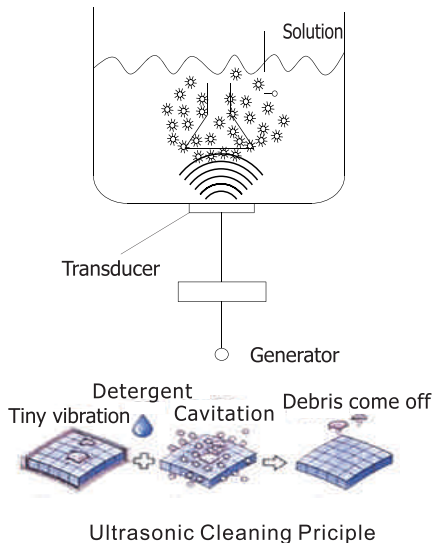
**Packaging List**

- 1 x Ultrasonic Cleaner (US Plug)
- 1 x User Manual
- 1 x Cleaning Basket
- 1 x Watch Holder
- 1 x Disk Mat

**Wide range of applications includes:**

<b>Disk</b>	<b>Jewelry</b>
	
<p>CD, VCD, DVD</p>	<p>Necklaces, Rings, Earrings and Bracelets.</p>
<b>Glasses and Timepieces</b>	<b>Personal items</b>
	
<p>Eyeglasses, Sunglasses, Waterproof Watches.</p>	<p>Electric Shaver Heads, Razor Blades, Dentures, Combs and Toothbrushes.</p>
<b>Stationary Items</b>	<b>Metal dishware</b>
	
<p>Printer-heads, Inject Cartridges and Seals.</p>	<p>Forks, Knives, Spoons, Teacup etc.</p>

## Ultrasonic Cleaning Principle



## How to clean Watch Strap/ Jewelry/ CD/VCD Disk

### √Watch strap cleaning:

You can use the watch shelf for cleaning metal watch straps.

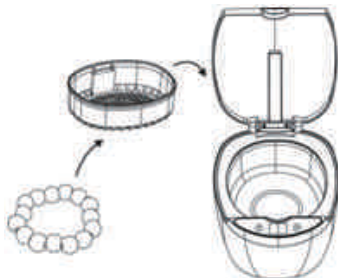
First, simply fix the watch strap onto the watch shelf, with the watch part face up;  
Second, put the watch shelf into the container which is filled with water.

### √Jewelry cleaning:

First, put the jewelry into the basket;

Second, put the basket into the container which is filled with water.

After cleaning, take out the basket and dry the jewelry with clean dry cloth. The jewelry can restore to a gleaming finish.

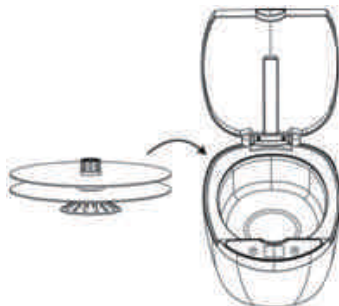


### √CD/VCD disk cleaning:

There are 2 disk mats, which you can clean 2 disks at most per time.

Hitch the disk with disk mat, and then fasten the mat with the basket on its central hole.

After cleaning, take out the disk and dry it.



## Parameter

Name	ULTRASONIC CLEANER
Model	SU-768
Power Supply	AC120V/60Hz
Consumption Power	35 W
Timer Setting	180s/280s/380s/480s/90s
Capacity	750ml/25oz Max:600ml/20oz
Frequency	43K

### **1.It could not clean my items at all.**

- 1)Please lay your items flat before cleaning.
- 2)Drip 1-2 drops of solution in water.

**Note: Typically, these solutions should be nontoxic, gentle and biodegradable. Inflammable and explosive solutions are FORBIDDEN.**

### **2.How should I know the proper solutions for different items?**

Please consult the sellers of your items.

### **3.What this can clean, what cannot?**

Not suitable for: antique jewelry, jewelry containing loose stones, and jewelry containing soft/porous stones like pearls, emeralds, amber and opal.

Suitable for various goods: jewelry, old coins, eyeglasses, dentures, electric shaver heads and so on.

If you are unsure about whether you should use the ultrasonic cleaner on your specific type of jewelry, please consult your sellers of the items.

### **4.How should I maintain it after using?**

Please put it in dry place to avoid shorting out.

### **5.Could paint on airbrush be removed?**

The paint should be removed through special solutions. Please ask the seller of your paint to know the correct solution for it.

**Note: Explosive solution like ethyl alcohol could not be used in ultrasonic cleaning.**

### **6.How much is the internal capacity?**

The internal capacity is 600ml/20oz.

## 7. Do I have to flush it again after using solution?

We suggest our customers clean it again by tap water to improve cleaning effect.

## 8. Why it could not clean my silver jewelry?

The ultrasonic wave is not capable of cleaning oxidized items. Please add special solution for oxidization cleaning.

## WARRANTY

VIVREAL Ultrasonic Cleaner is warranted as here and after appears, against faulty material and/or workmanship for a period of 12 months from date of purchase. The obligation of the manufacturer, under this warranty, is limited to servicing and replacing defective parts when the unit is returned to VIVREAL, Amazon.com or the distributors in your state, freight pre-paid. To obtain warranty repair, the purchase receipt should be returned with the product. This warranty becomes void on any unit which has been tampered with or damaged by accident, short circuited, loaded beyond rating or damaged otherwise by improper operation. This warranty is in addition to any warranties implied by State or Federal Legislation.

### Company:

FOSHAN LIFECODE ELECTRONIC TECH. CO. LTD

### Address:

Jiangyi Industrial Zone, Leliu, Shunde, FOSHAN Guangdong Province China





