

Installation Instructions for Pre-rinse Faucets



8" Adjustable Wall-Mount Pre-rinse units



8" Two Holes Deck Mount Pre-rinse units



Single Hole Deck Mount Pre-rinse units



8" Wall-Mount faucets

Note: The product is used to illustrate installation. Your product may be a different style but will install the same way

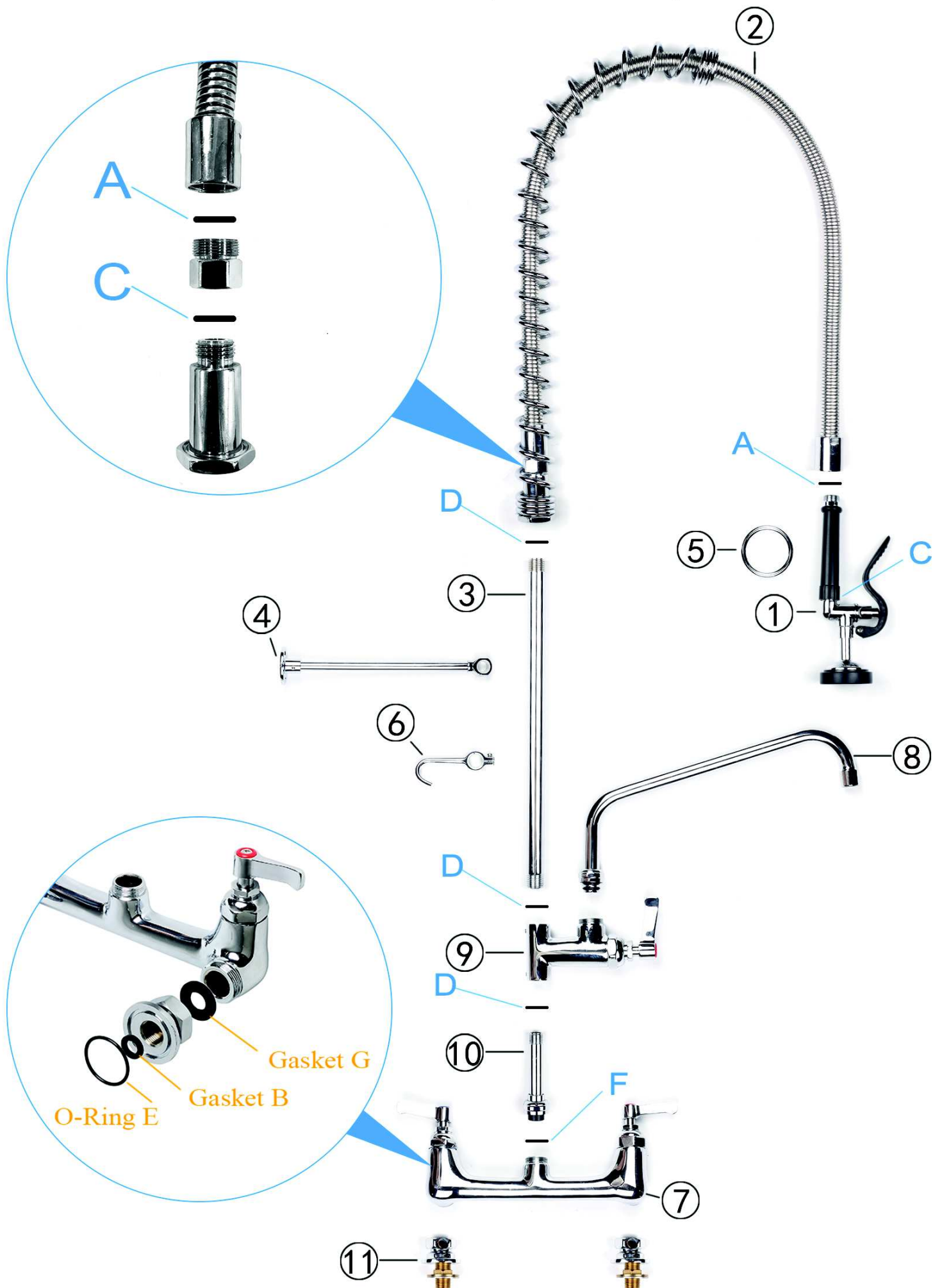
1. 8" Wall-Mount Pre-rinse units

1.1 8" Wall-Mount Pre-rinse units parts list

No.	PART NAME	QTY	RAW MATERIAL
1	Spray Valve	1	Stainless steel & Brass & POM
2	Bent Pipe	1	Stainless steel
3	Riser Pipe	1	Stainless steel
4	Wall Bracket	1	Stainless steel
5	Spray Valve Ring	1	Stainless steel
6	Finger Hook	1	Stainless steel
7	Faucet Body	1	Brass
8	Add-on Spout	1	Stainless steel
9	Add-on Faucet	1	Brass
10	3" Tube	1	Stainless steel
11	Female Eccentric Flange with G 1/2" Connector	2	Stainless steel & Brass
12	Gasket Spare Parts	1	/



1.2 8" Wall-Mount Pre-rinse units Exploded Drawing

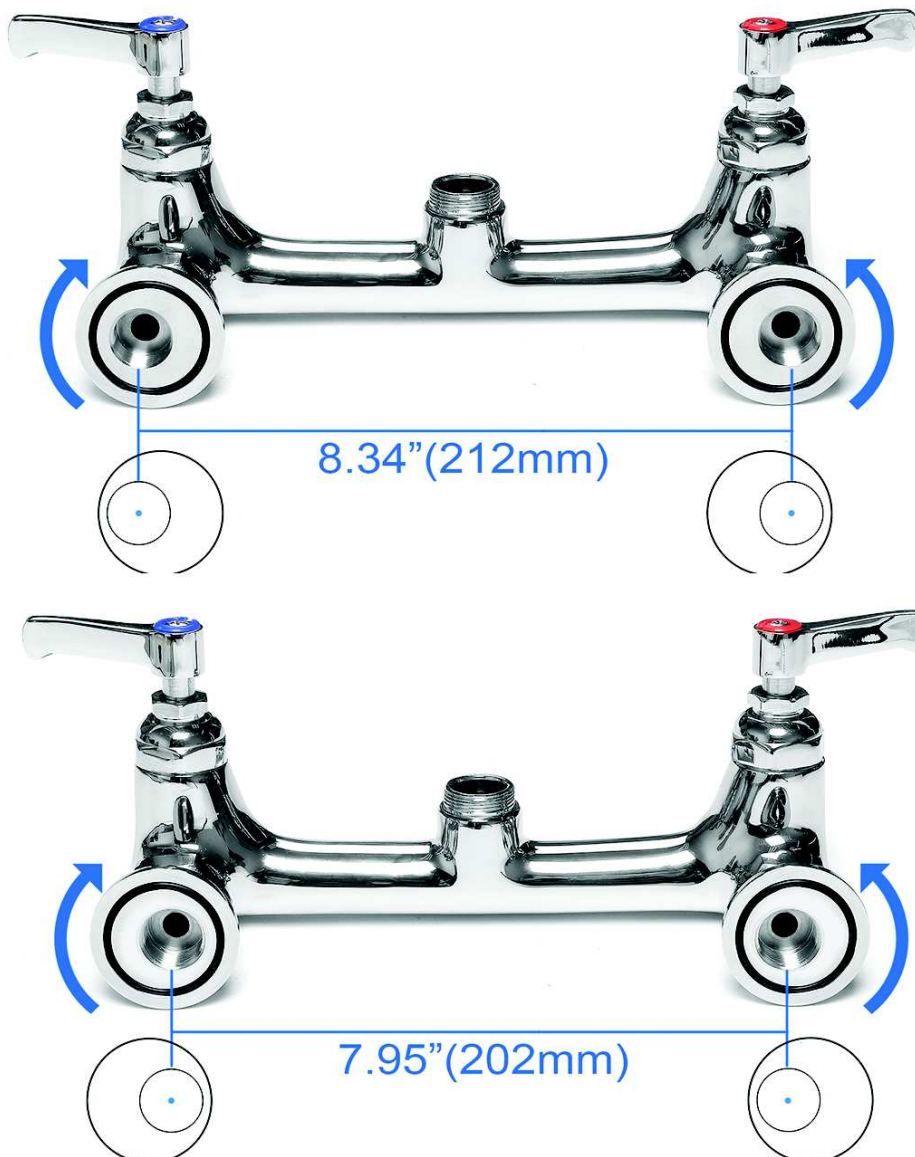


1.3 General Instructions

- Turn off the water supply at the main source
- Hand tighten all parts prior to tightening with wrench. Do not force parts tighter.
- Handle plated surfaces with care, being careful not to scratch with tools
- All wall mount faucets have G1/2" (1/2" NPSM) female flanged inlet

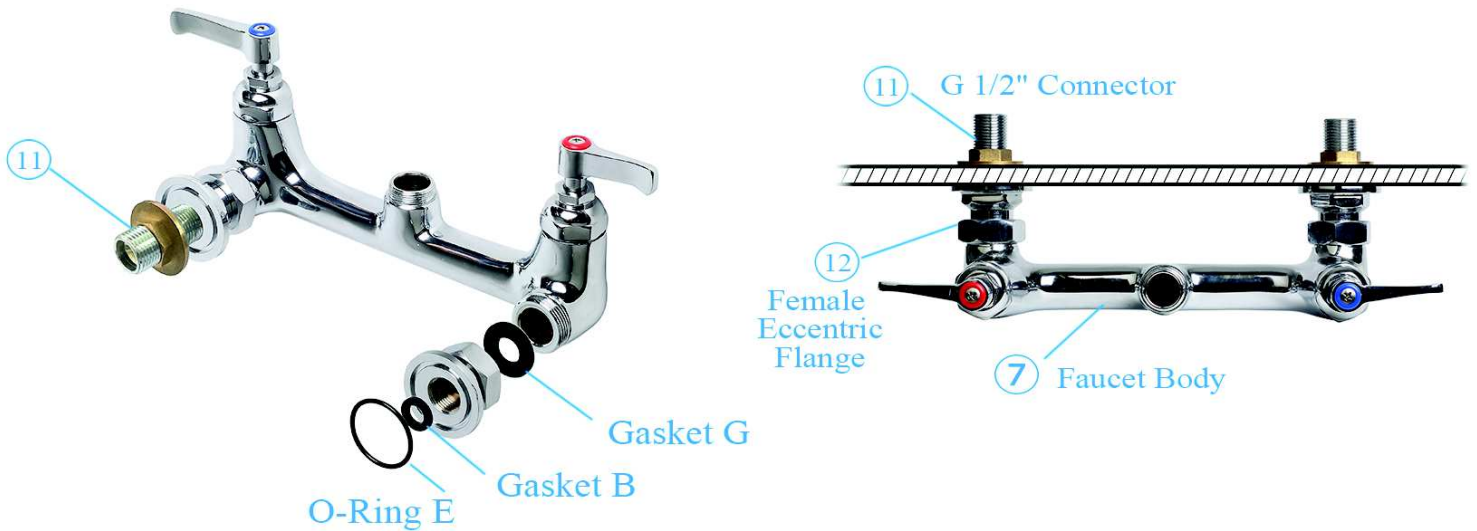
1.4 Faucet body assembly:

- The center distance can be adjusted between 7.95"(202mm)-8.34"(212mm) if you rotate the fixed base on the 2 sides.



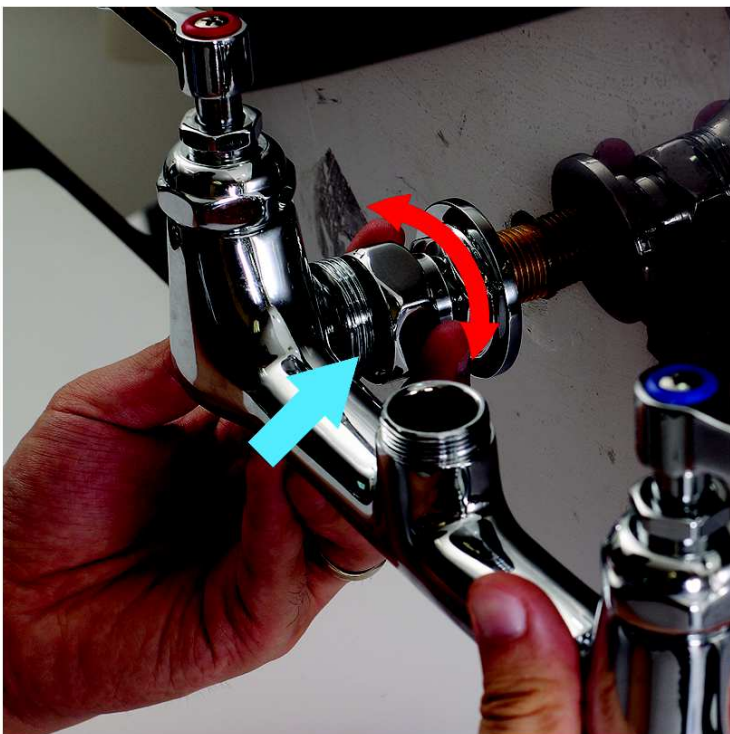
1.4.1 Assemble the wall mount faucet on the commercial sink:

- Flush debris from water lines then shut off water supply.
- Drill two holes, approximately 1" to 1-1/4" diameter, in wall or backsplash of sink. Holes must be 8" centers.
- Connect #11 to #12, make sure gasket B is in place; then install it to the backsplash of the sink.
- Connect #7 Faucet Body to the #12 Female Eccentric Flange.



1.4.2 Assemble the wall mount faucet directly to the water inlet on the wall:

- Assemble the Female Eccentric Flanges with G 1/2" Connector (No.11) to the water inlet.
- Put the faucet body to the two Female Eccentric Flange, if you found the distance of the Flange can't match the faucet body, just turn the two eccentric flange to find the right distance to assemble with the faucet body.



Before the adjustment



After the adjustment

1.5 Pre-rinse part and add-on part assembly



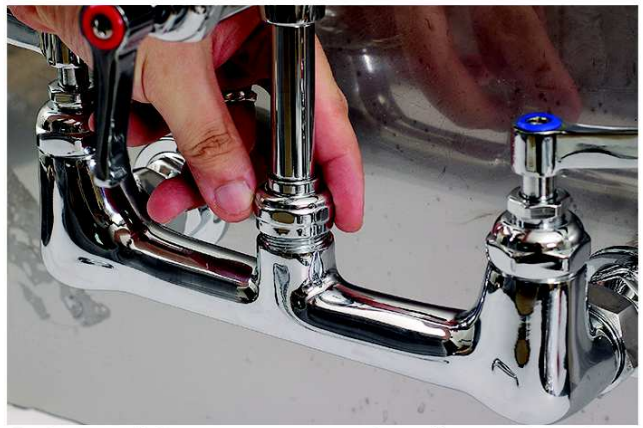
1.5.1 Assemble Wall Bracket (No.5) and Finger Hook(No.6) to Riser Pipe(No.4)



1.5.2 Connect Add-on Faucet (No.9) to Riser Pipe (No.4)



1.5.3 Connect 3" Tube (No.10) to Add-on Faucet (No.6)



1.5.4 Put the whole pre-rinse part and the add-on part to the facet body, connect 3" tube (No.10) to Faucet Body (No.7), tighten the nut.



1.5.5 Assemble the Add-on Spout (No.8) to Add-on Faucet (No.9)



1.5.6 Adjust the length of the Wall Bracket

A. Measure the length between the pipe and the wall.

B. Loosen the screws at the end.

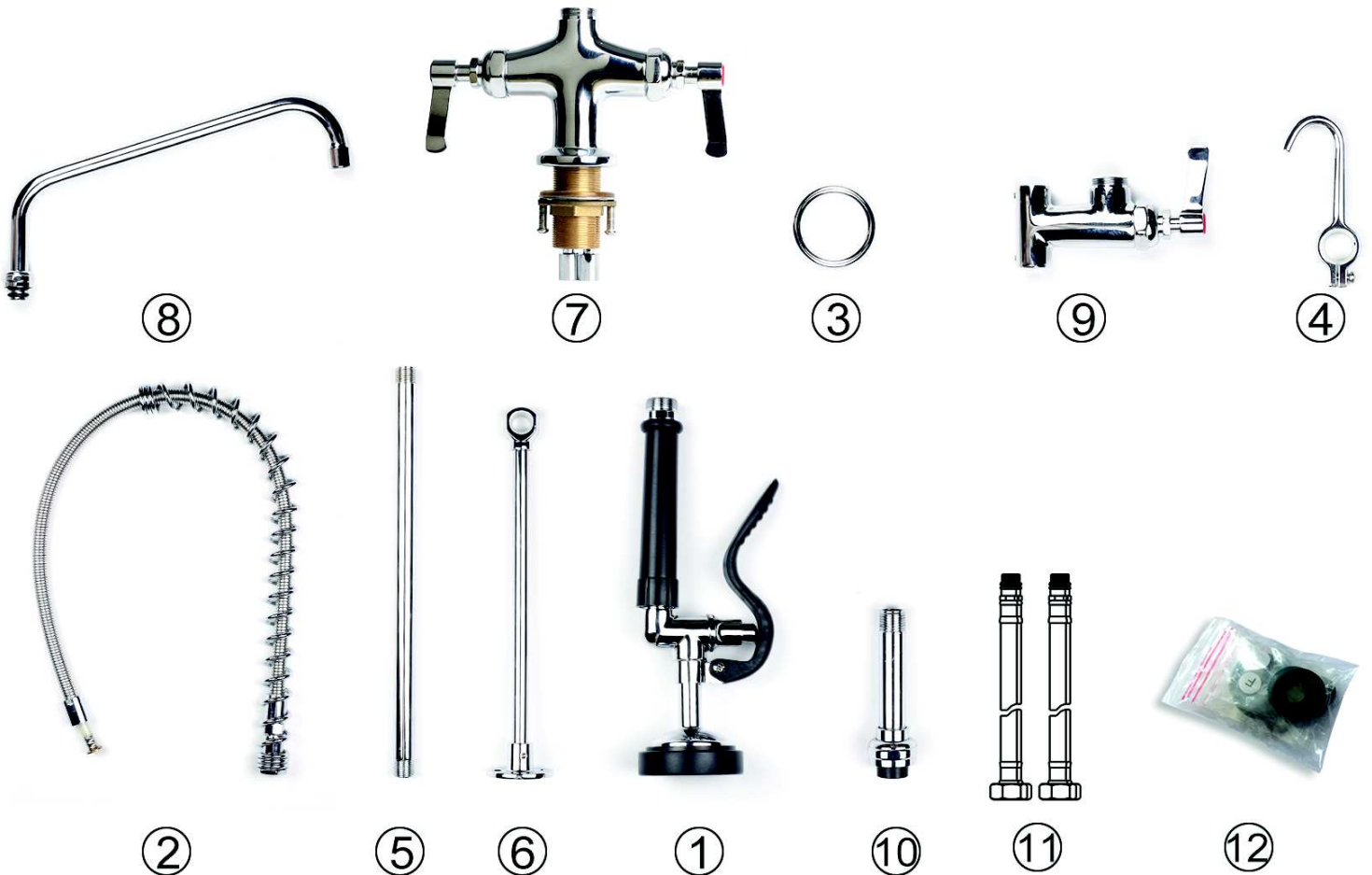
C. Cut the pipe into what you need.

D. Tighten the screw then assemble the end part to the wall.

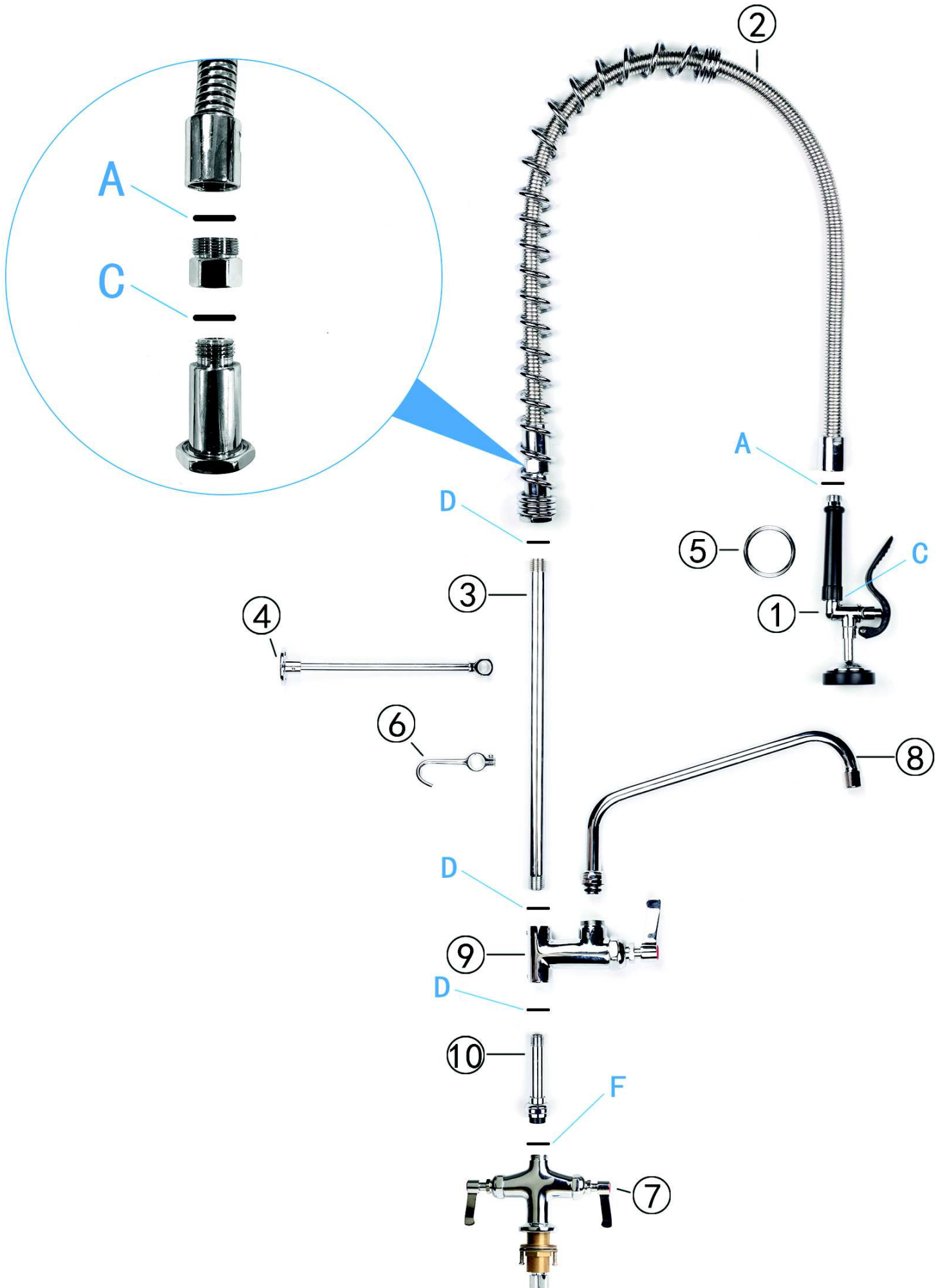
2. Single Hole Deck Mount Pre-rinse Units

2.1 Single Hole Deck Mount Pre-rinse Units parts list

No.	PART NAME	QTY	RAW MATERIAL
1	Spray Valve	1	Stainless steel & Brass & POM
2	Bent Pipe	1	Stainless steel
3	Ring	1	Stainless steel
4	Finger Hook	1	Stainless steel
5	Riser Pipe	1	Stainless steel
6	Wall Bracket	1	Stainless steel
7	Faucet Body	1	Brass
8	Swing Nozzle	1	Stainless steel
9	Add-on Faucet	1	Brass
10	3" Tube	1	Stainless steel
11	G 1/2" Hose	2	Stainless steel
12	Spare Parts	1	/



2.2 Single Hole Deck Mount Pre-rinse Units Exploded Drawing



2.3 Single Hole Deck Mount Pre-rinse Units Installation Instructions

2.3.1 General Instructions

- Turn off the water supply at the main source
- Hand tighten all parts prior to tightening with wrench. Do not force parts tighter.
- Handle plated surfaces with care,being careful not to scratch with tools

2.3.2 Faucet Body Installation

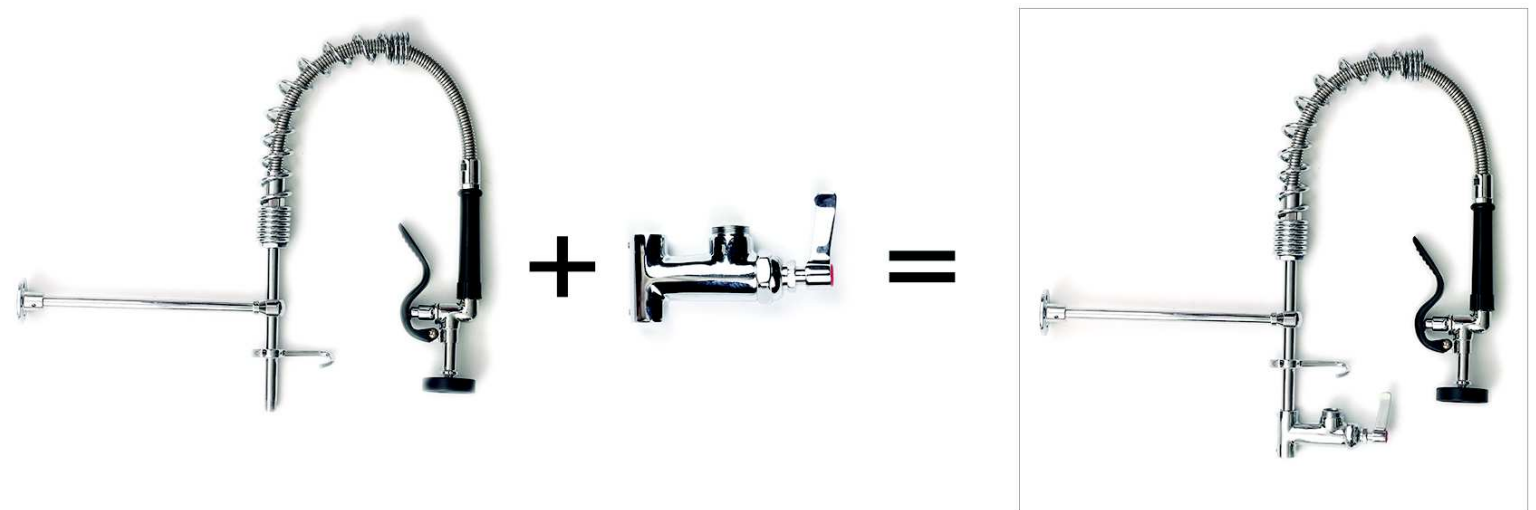
- Flush debris from water lines then shut off water supply
- Drill one hole, approximately 1-1/4" to 1-1/2" diameter in deck or sink where faucet is to be located
- Temporarily remove washer and nut from shank of faucet body, pass shank through hole in deck or sink. Secure in place with washer and nut.
- Install flexible supply hoses into the threaded holes in the bottom of the faucet shank, Connect hoses to water supplies.



2.4 Pre-rinse part and add-on part assembly



2.4.1 Assemble Wall Bracket (No.5) and Finger Hook(No.6) to Riser Pipe(No.4)



2.4.2 Connect Add-on Faucet (No.9) to Riser Pipe (No.4)

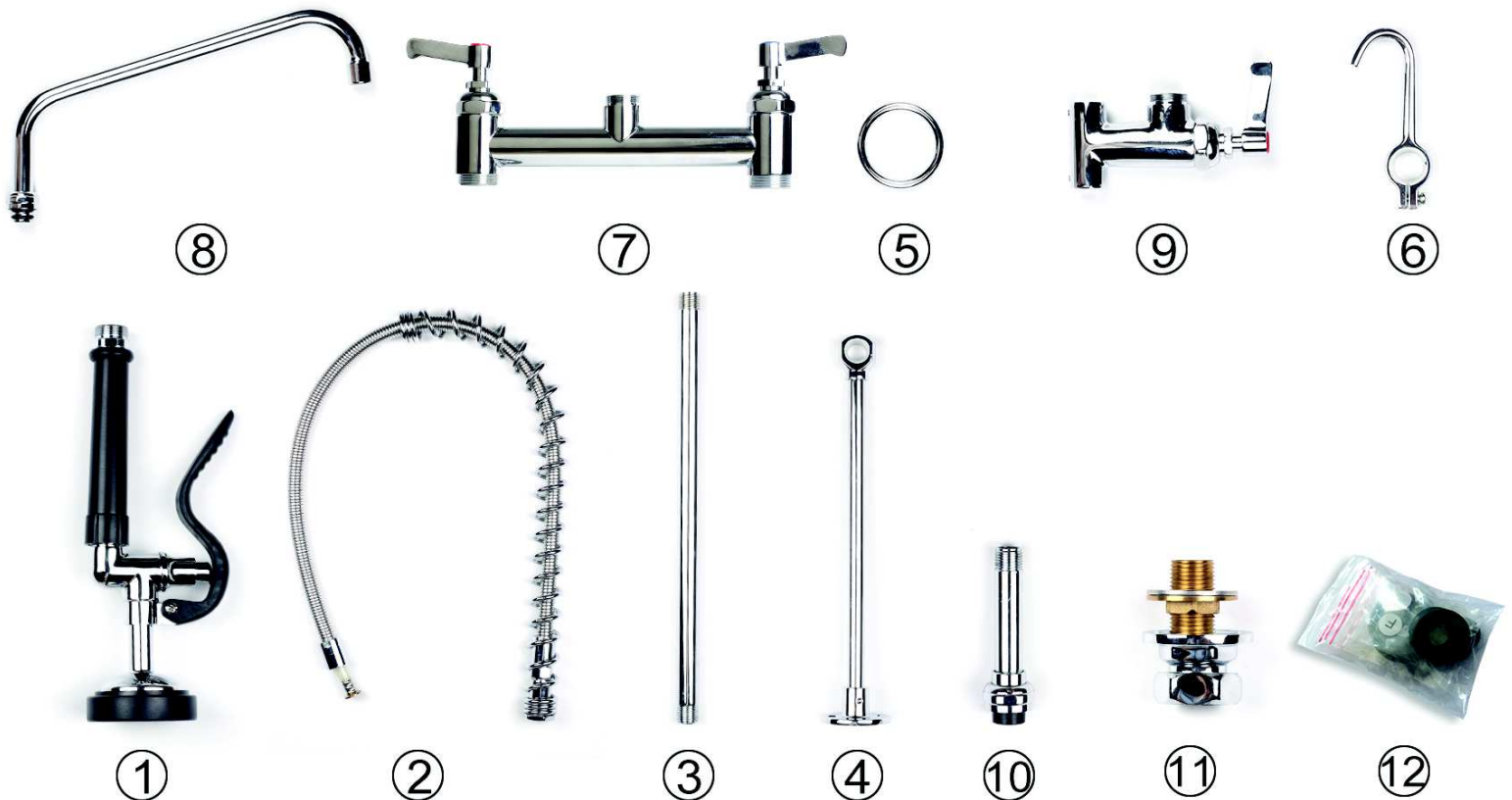


2.4.3 Connect 3" Tube (No.10) to Add-on Faucet (No.6)

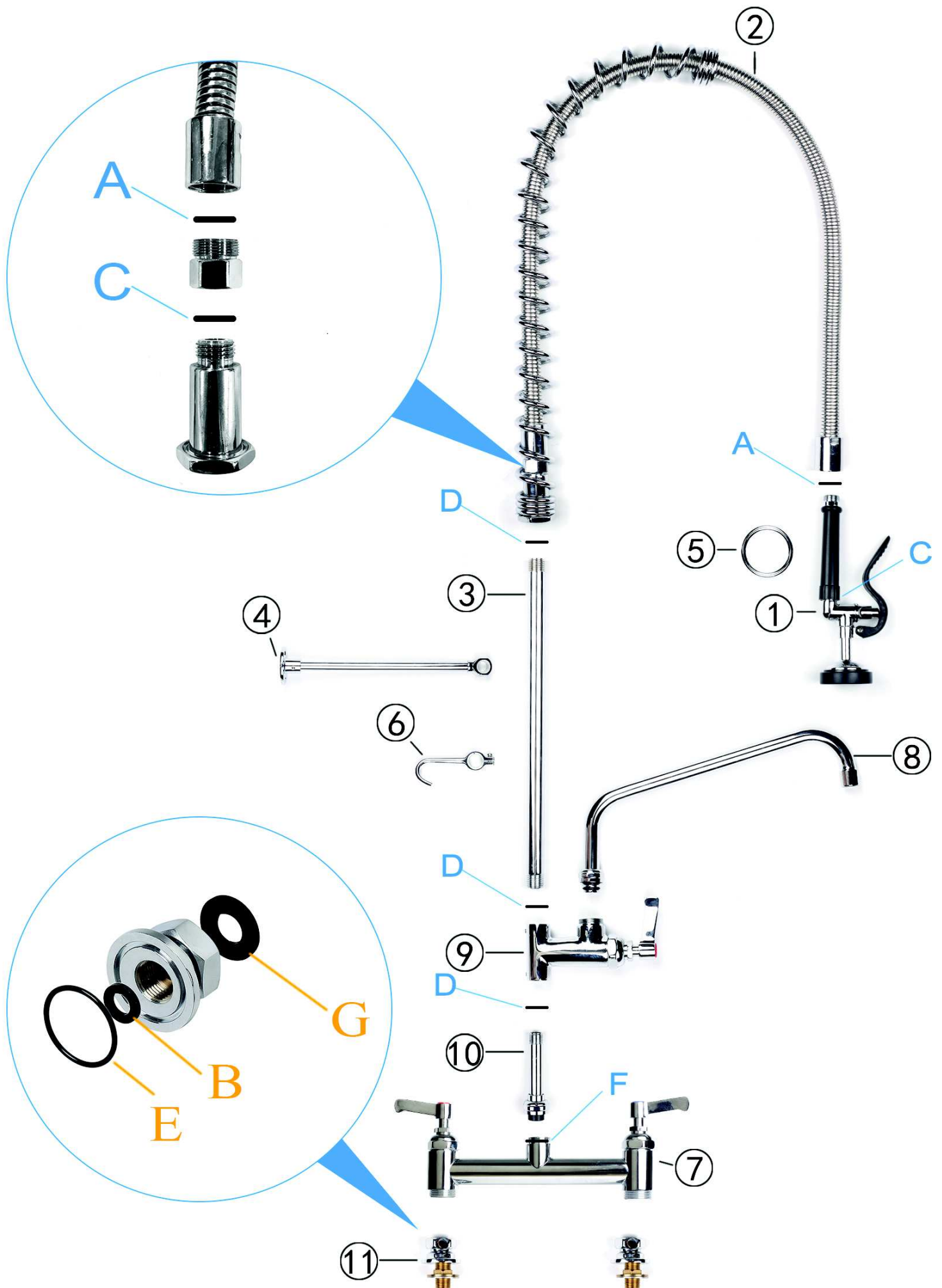
3. 8" Two Holes Deck Mount Pre-rinse Units

3.1 Two Holes Deck Mount Pre-rinse Units Parts List

No.	PART NAME	QTY	RAW MATERIAL
1	Spray Valve	1	Stainless steel & Brass & POM
2	Bent Pipe	1	Stainless steel
3	Riser Pipe	1	Stainless steel
4	Wall Bracket	1	Stainless steel
5	Spray Valve Ring	1	Stainless steel
6	Finger Hook	1	Stainless steel
7	Faucet Body	1	Brass
8	Add-on Spout	1	Stainless steel
9	Add-on Faucet	1	Brass
10	3" Tube	1	Stainless steel
11	Female Eccentric Flange with G 1/2" Connector	2	Stainless steel & Brass
12	Gasket Spare Parts	1	/



3.2 Two Holes Deck Mount Pre-rinse Units Exploded Drawing

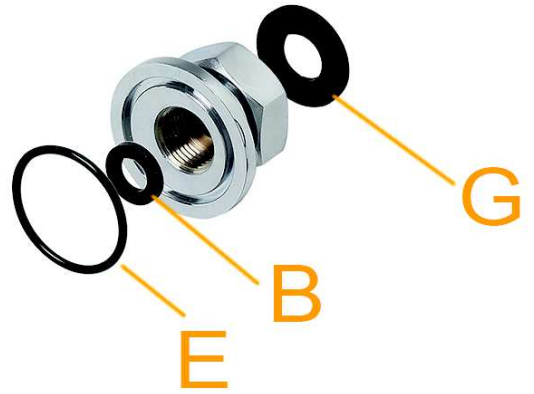
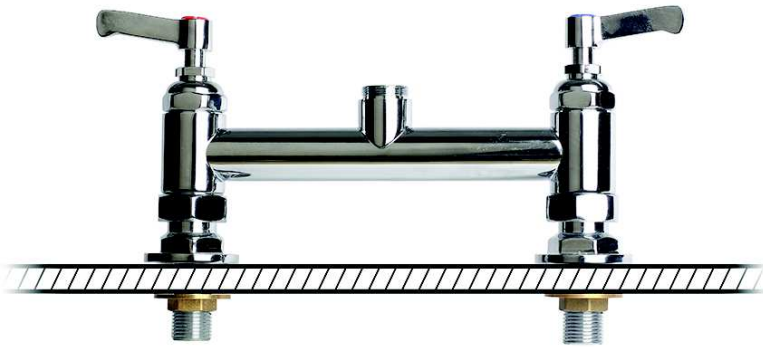


3.3 General Instructions

- Turn off the water supply at the main source.
- Hand tighten all parts prior to tightening with wrench. Do not force parts tighter.
- Handle plated surfaces with care,being careful not to scratch with tools.
- All two holes deck mount faucets have G 1/2" (1/2" NPSM) female flanged inlet.

3.4 Faucet Body Installation

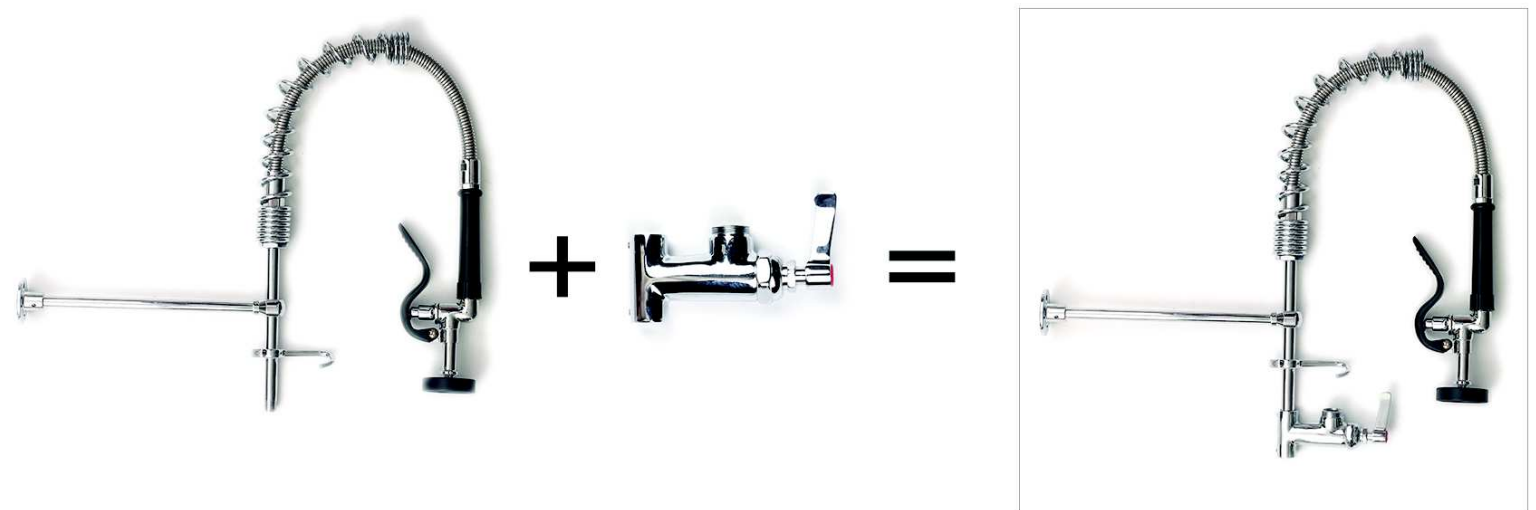
- Flush debris from water lines then shut off water supply.
- Drill two holes,approximately 1"to 1-1/4" diameter,in deck or sink where faucet is to be located. Holes must be 8" centers.
- Connect #11 to #12,make suer gasket B is in place;then install it to the sink or deck.
- Connect #7 Faucet Body to the #12 Female Eccentric Flange



3.5 Pre-rinse part and add-on part assembly



3.5.1 Assemble Wall Bracket (No.5) and Finger Hook(No.6) to Riser Pipe(No.4)



3.5.2 Connect Add-on Faucet (No.9) to Riser Pipe (No.4)



3.5.3 Connect 3" Tube (No.10) to Add-on Faucet (No.6)

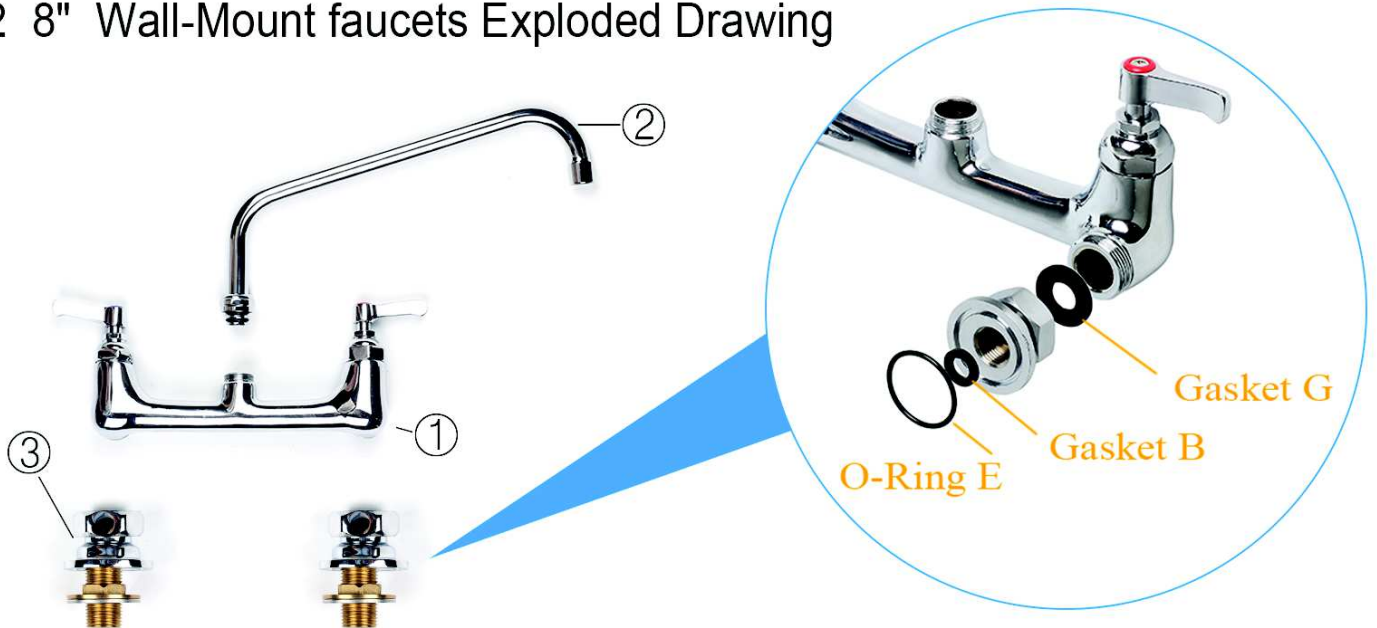
4. 8" Wall-Mount faucets

4.1 8" Wall-Mount faucets Parts List

No.	PART NAME	QTY	RAW MATERIAL
1	Faucet Body	1	Brass
2	Swing Nozzle	1	Stainless steel
3	G 1/2" Connector	2	Brass
4	Female Eccentric Flange	2	Brass
5	Spare Parts	1	/



4.2 8" Wall-Mount faucets Exploded Drawing

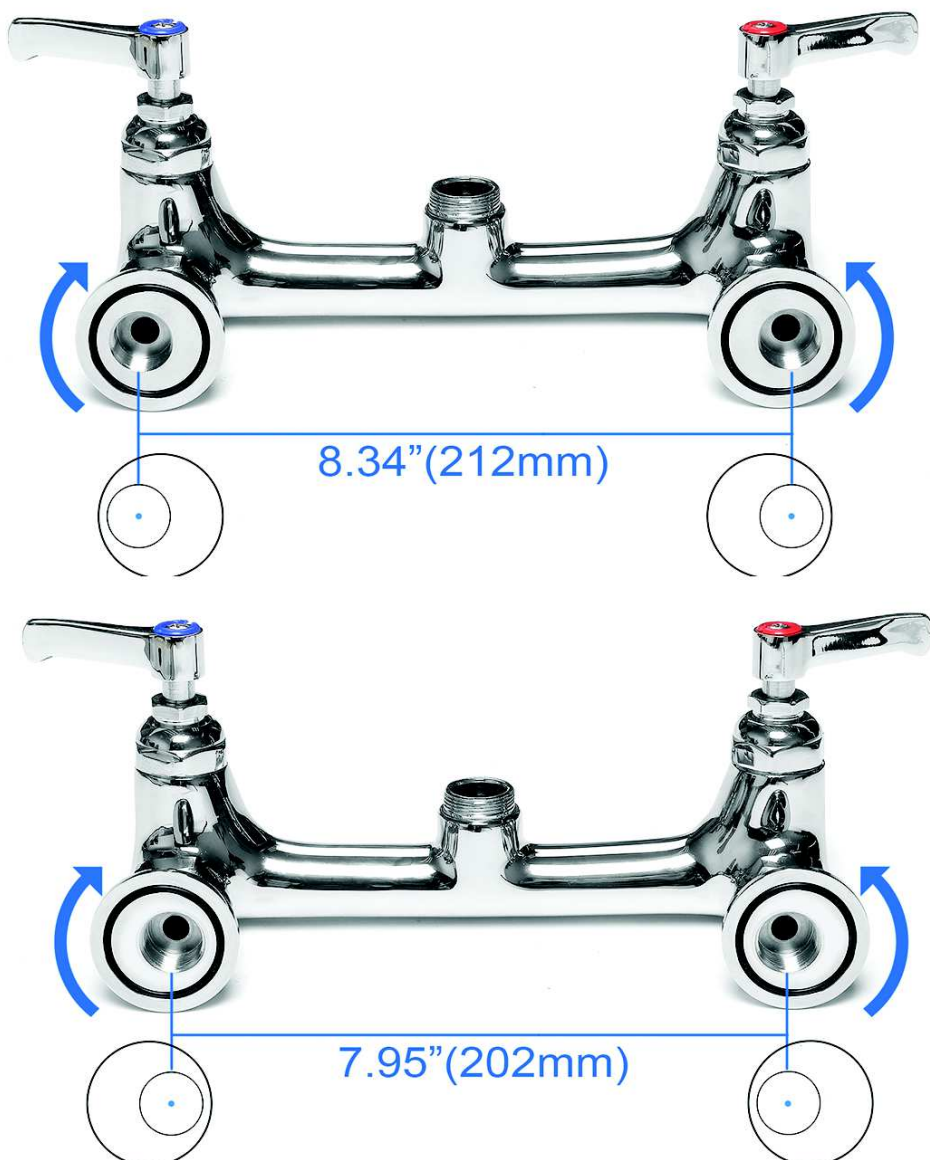


4.3 General Instructions

- Turn off the water supply at the main source
- Hand tighten all parts prior to tightening with wrench. Do not force parts tighter.
- Handle plated surfaces with care, being careful not to scratch with tools
- All wall mount faucets have G1/2" (1/2" NPSM) female flanged inlet

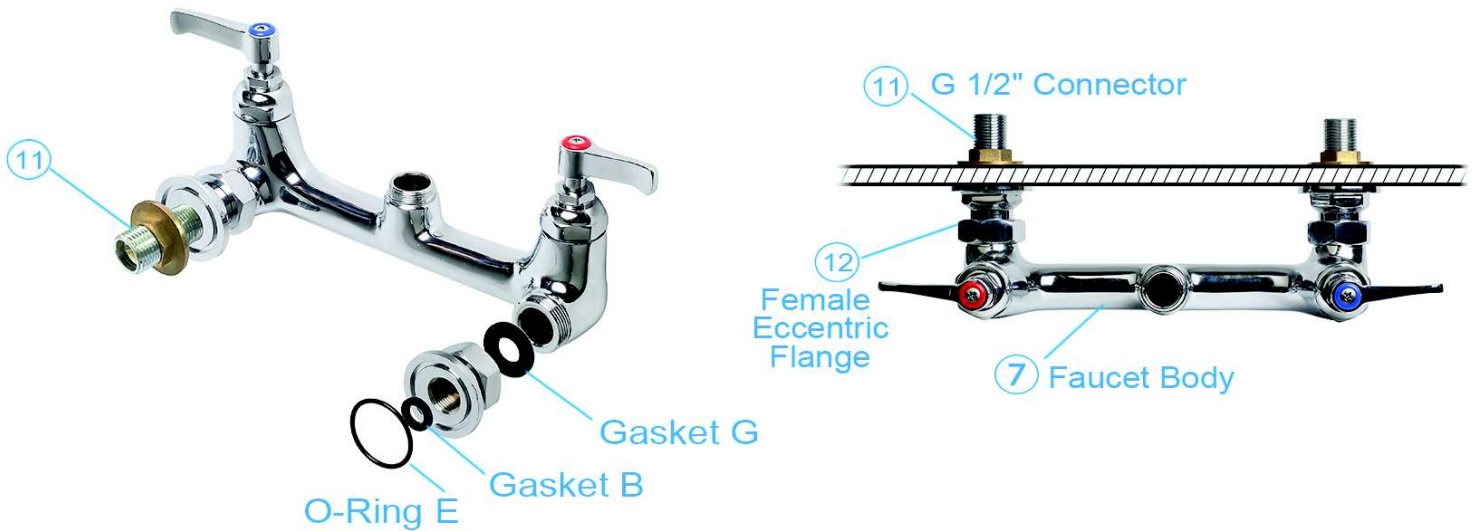
4.4 Faucet body assembly:

- The center distance can be adjusted between 7.95"(202mm)-8.34"(212mm) if you rotate the fixed base on the 2 sides.



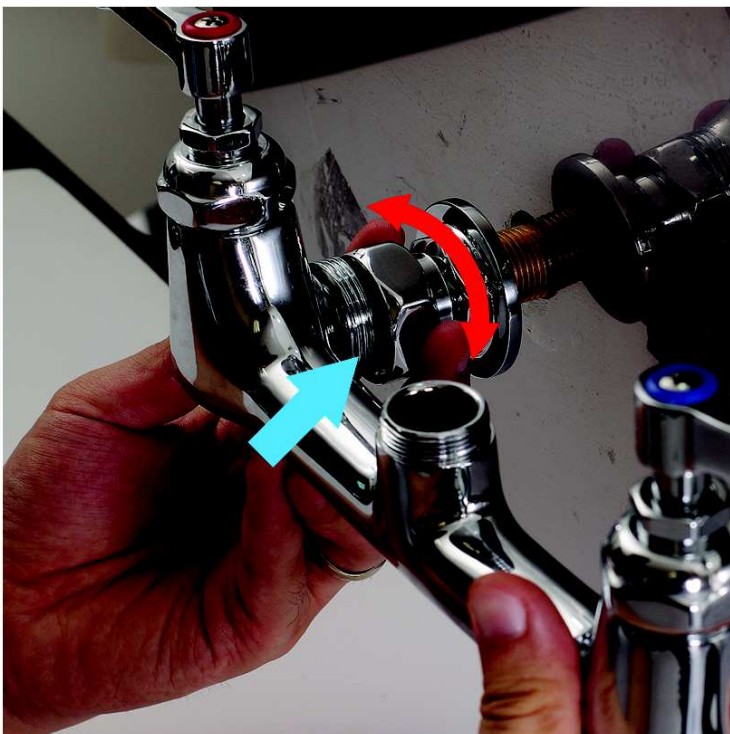
4.4.1 Assemble the wall mount faucet on the commercial sink:

- Flush debris from water lines then shut off water supply.
- Drill two holes, approximately 1" to 1-1/4" diameter, in wall or backsplash of sink. Holes must be 8" centers.
- Connect #11 to #12, make sure gasket B is in place; then install it to the backsplash of the sink.
- Connect #7 Faucet Body to the #12 Female Eccentric Flange.



4.4.2 Assemble the wall mount faucet directly to the water inlet on the wall:

- Assemble the Female Eccentric Flanges with G 1/2" Connector (No.11) to the water inlet.
- Put the faucet body to the two Female Eccentric Flange, if you found the distance of the Flange can't match the faucet body, just turn the two eccentric flange to find the right distance to assemble with the faucet body.



Before the adjustment



After the adjustment

5. Replacement Parts



Pre-Rinse Sprayer with handle



Pre-Rinse Sprayer without handle



Pre-Rinse hose 96CM



Pre-Rinse hose 46CM



Swing Nozzle 5"



Swing Nozzle 8"



Swing Nozzle 12"



Swing Nozzle 14"

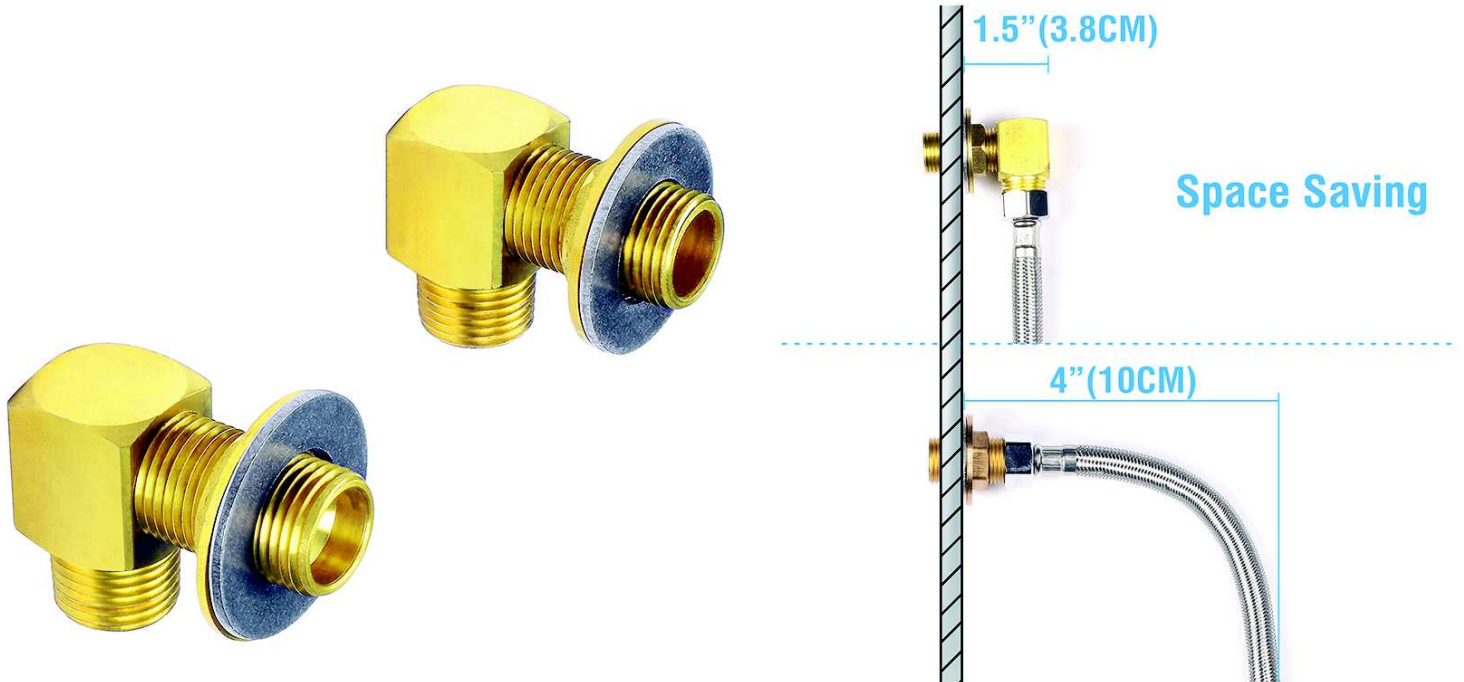


Washer Assortment Kit

6. Installation Kit/faucet upgrade part

6.1 Male & Male (Female adjustable) Elbow Installation Kit is Available in Our Store.

Contact us on amazon to get a 15% off code for this product.



6.2 M22X1-1/2NPT hose to faucet aerator adapter



7. Tools Required



adjustable wrench



long nose pliers



hexagonal wrench



cross screwdriver

8. Q&A

8.1 Q: Why faucet leak?

A: One or more gaskets missed. Gaskets are broken or in correct. (All the connectors where sealed with gaskets should not be screwed too tight while installing, otherwise the gaskets will be damaged.)

8.2 Q:

A: How to do when leaking?

First of all, try to tight the connections where leaking. If not work, pls dis-assemble the leakage position and put the corresponding gasket into it, or replace the broken gasket with a new one.

8.3 Q:

A: Do you need water tape to install this faucet?

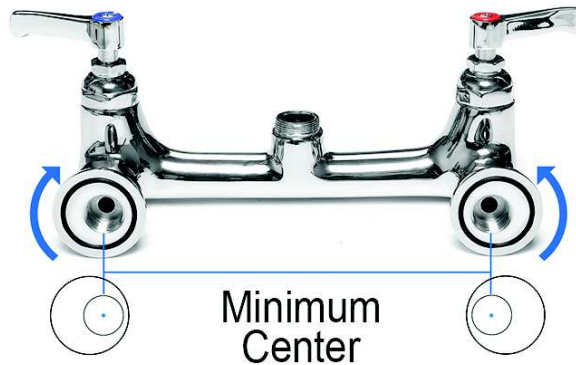
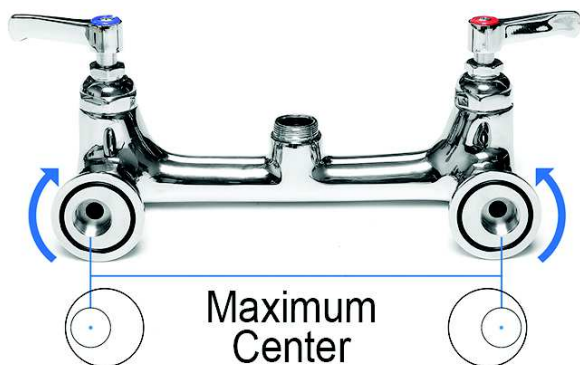
This commercial faucet is designed to use gaskets for seal, so the entire faucet installation does not require the use of water tape, otherwise it may leaks.

8.4 Q:

As 8" Adjustable Centers wall mount faucets, How to adjust the

A: center hole distance?

You can adjust the center hole size by adjusting the female eccentric flange, As shown below.



8.5 Q: How to get spare parts?

A: You can contact the dealer to purchase spare parts.

9. Limited Five Years Warranty

9.1 This faucet warrants to the original purchaser (other than for purposes of resale) that such product is free from defects in material and workmanship for a period of five (5) years from the date of purchase. Consumables such as hoses, pre-rinse sprayer, one year warranty.

9.2 If you have questions or problems, feel free to contact our customer service by e-mail through amazon order.