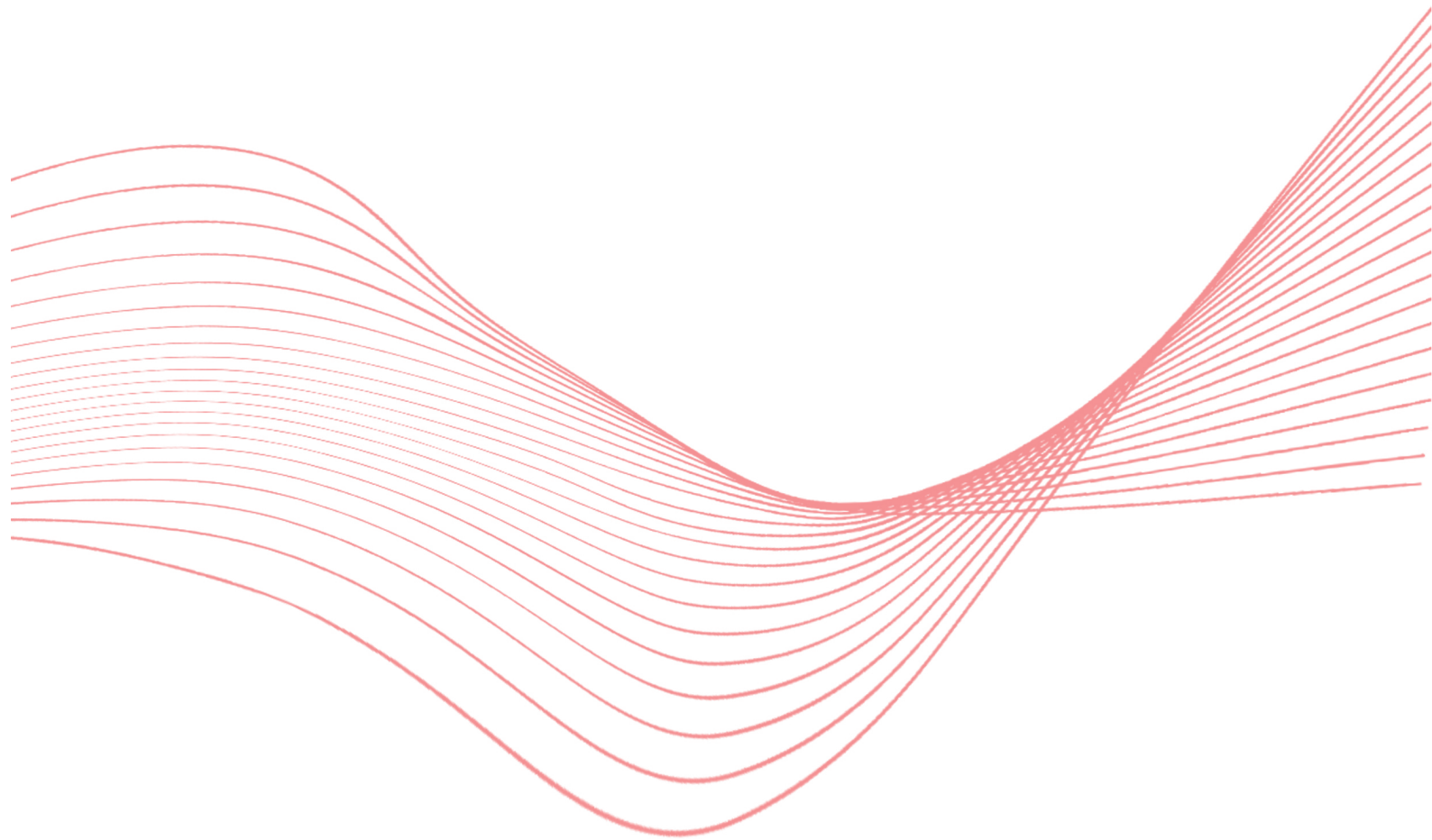




OPERATING MANUAL

Model number: A17



IMPORTANT SAFETY INSTRUCTIONS BEFORE USING THIS MACHINE READ ALL INSTRUCTIONS AND CAUTIONARY MARKINGS IN THIS MANUAL AND ON THE MACHINE

When using an electrical appliance, basic precautions should always be followed, including the following:

WARNING

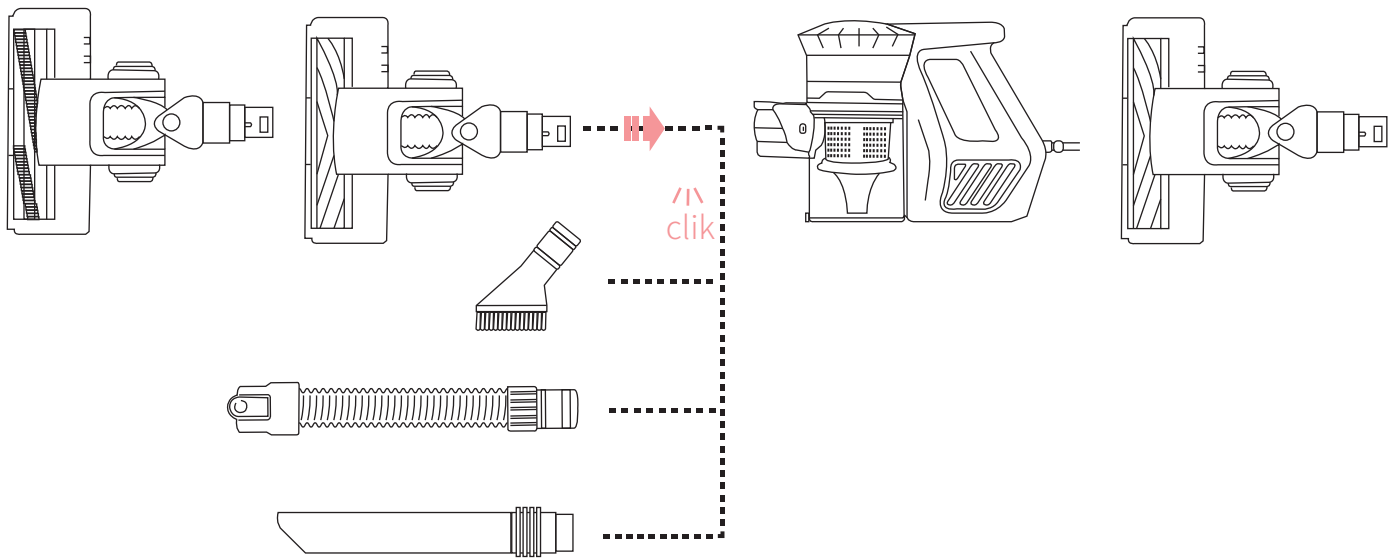
These warnings apply to the machine, and also where applicable, to all tools, accessories, chargers or mains adaptors.

TO REDUCE THE RISK OF FIRE, ELECTRIC SHOCK, OR INJURY:

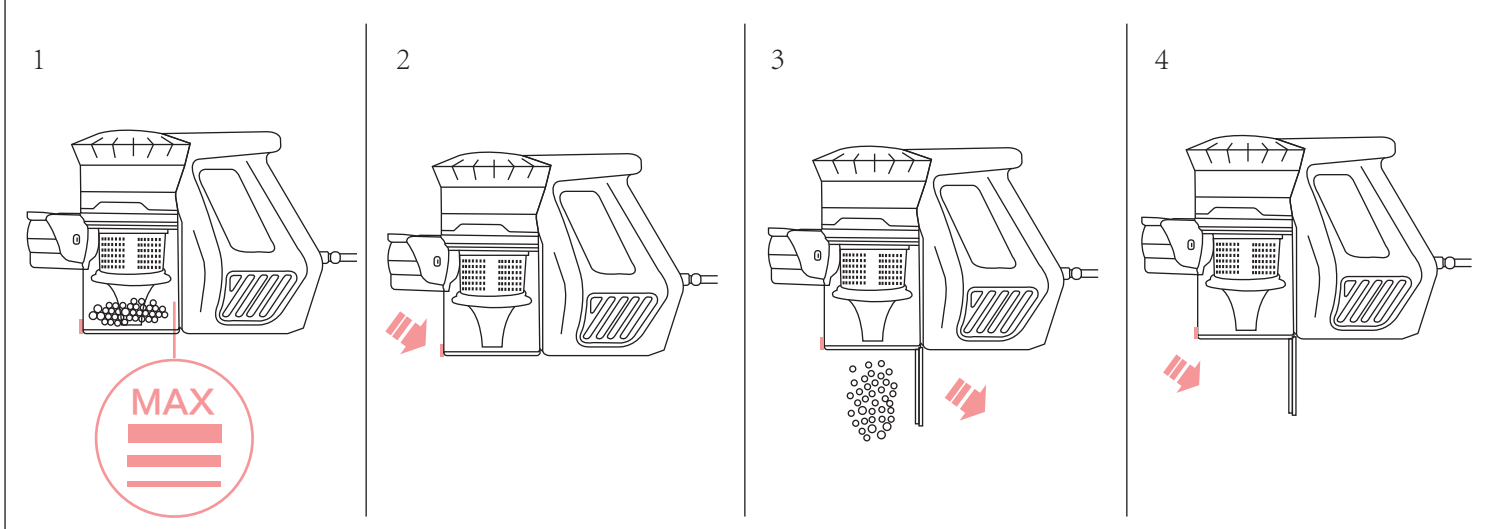
1. This machine is not intended for use by persons (including children) with reduced physical, sensory or reasoning capabilities, or lack of experience and knowledge, unless they have been given supervision or instruction concerning use of the machine by a person responsible for their safety.
2. Do not allow to be used as a toy. Close attention is necessary when used by or near children. Children should be supervised to ensure that they do not play with the machine.
3. Use only as described in this NEQUARE Operating Manual. Do not carry out any maintenance other than that shown in this manual.
4. Suitable for dry locations ONLY. Do not use outdoors or on wet surfaces.
5. Do not handle any part of the plug or machine with wet hands.
6. Do not use with a damaged cord or plug. If the supply cord is damaged it must be replaced by NEQUARE, its service agent or similarly qualified persons in order to avoid a hazard.
7. If the machine is not working as it should, has received a sharp blow, has been dropped, damaged, left outdoors, or dropped into water, do not use and contact the NEQUARE support.
8. Do not disassemble the machine as incorrect reassembly may result in an electric shock or fire.
9. Do not stretch the cord or place the cord under strain. Keep the cord away from heated surfaces. Do not close a door on the cord, or pull the cord around sharp edges or corners. Arrange the cord away from traffic areas and where it will not be stepped on or tripped over. Do not run over the cord.
10. Do not unplug by pulling on the cord. To unplug, grasp the plug, not the cord. The use of an extension cord is not recommended.
11. Do not use to pick up water.
12. Do not use to pick up flammable or combustible liquids, such as gasoline, or use in areas where they or their vapors may be present.
13. Do not pick up anything that is burning or smoking, such as cigarettes, matches, or hot ashes.
14. Keep hair, loose clothing, fingers, and all parts of the body away from openings and moving parts. Do not point the hose, wand or tools at your eyes or ears or put them in your mouth.
15. Do not put any object into openings. Do not use with any opening blocked; keep free of dust, lint, hair, and anything that may reduce airflow.
16. Do not use without the clear bin and filter(s) in place.

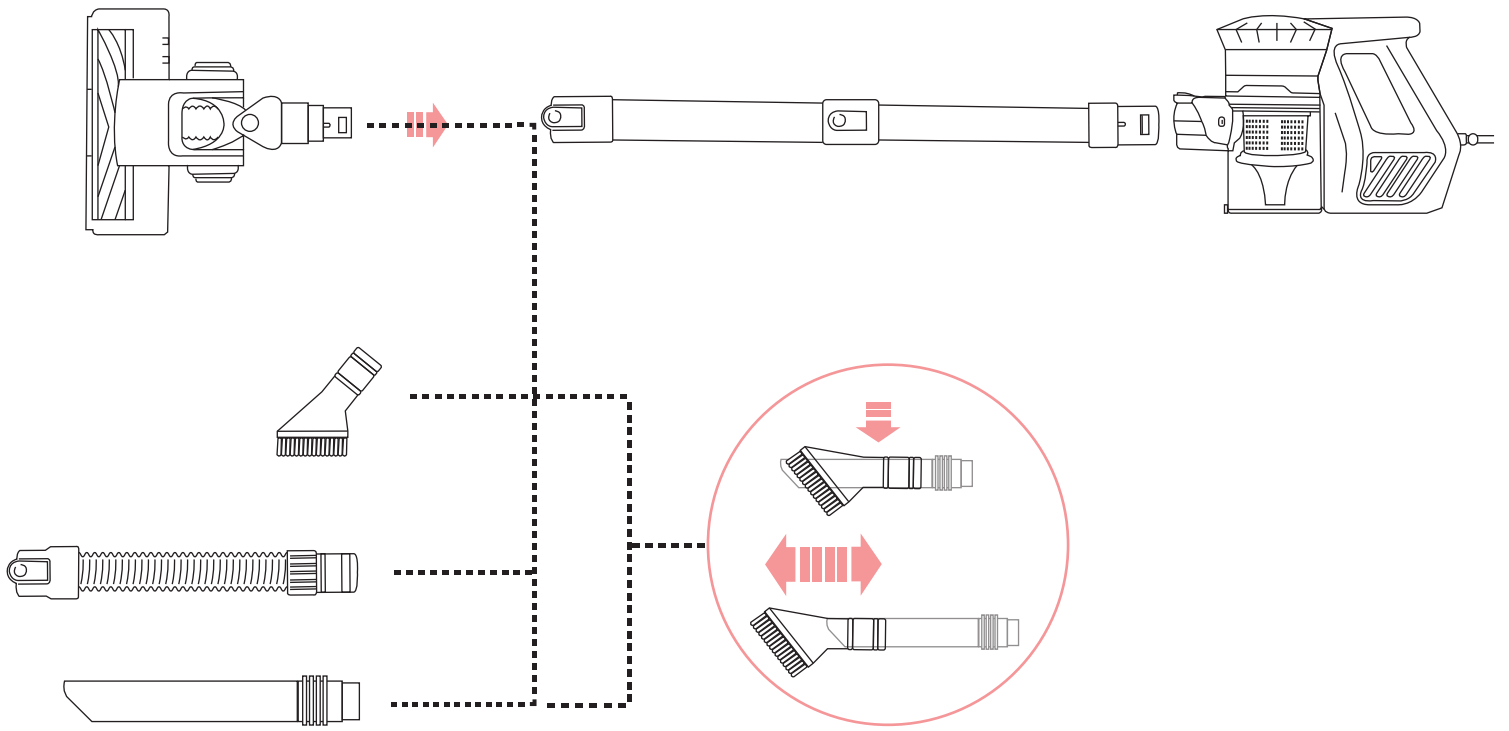
17. Unplug from the outlet when not in use for extended periods and before maintenance or servicing.
18. Do not install, charge or use this machine outdoors, in a bathroom or within 10 feet (3 meters) of a pool.
Do not use on wet surfaces and do not expose to moisture, rain or snow.
19. FIRE WARNING – Do not place this product on or near a cooker or any other hot surface and do not incinerate this appliance even if it is severely damaged. The battery might catch fire or explode.
20. Always turn off the machine before connecting or disconnecting the motorized brush bar.
22. The use of an extension cord is NOT recommended.
23. This vacuum cleaner contains no serviceable parts.
24. Always turn off the vacuum cleaner before connecting or disconnecting any motorized nozzles or other accessories.
25. DO NOT handle plug or vacuum cleaner with wet hands.
26. FIRE WARNING – Do not apply any fragrance or scented product to the filter(s) of this machine.
The chemicals in such products are known to be flammable and can cause the machine to catch fire.

READ AND SAVE THESE INSTRUCTIONS
THIS MACHINE IS INTENDED FOR HOUSEHOLD USE ONLY



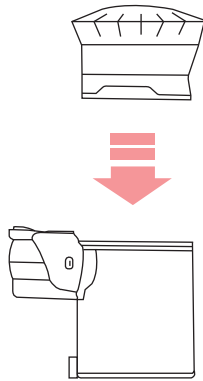
Emptying the clear bin



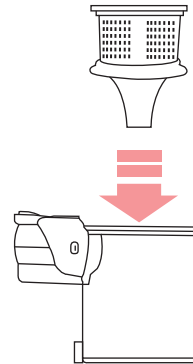


Stubborn blockages – Disassembly

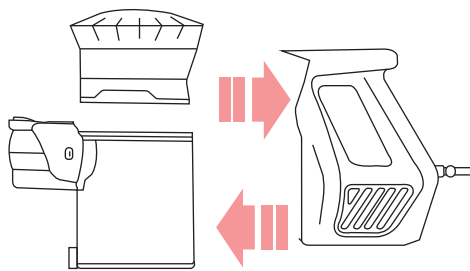
1



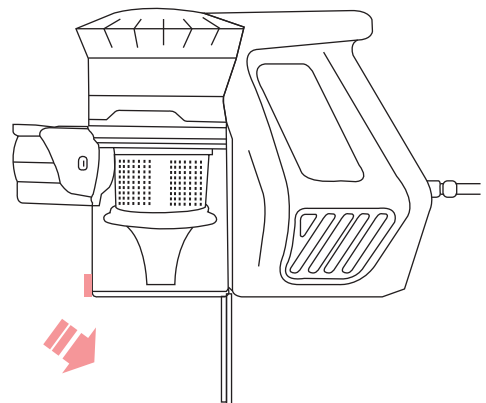
2



3



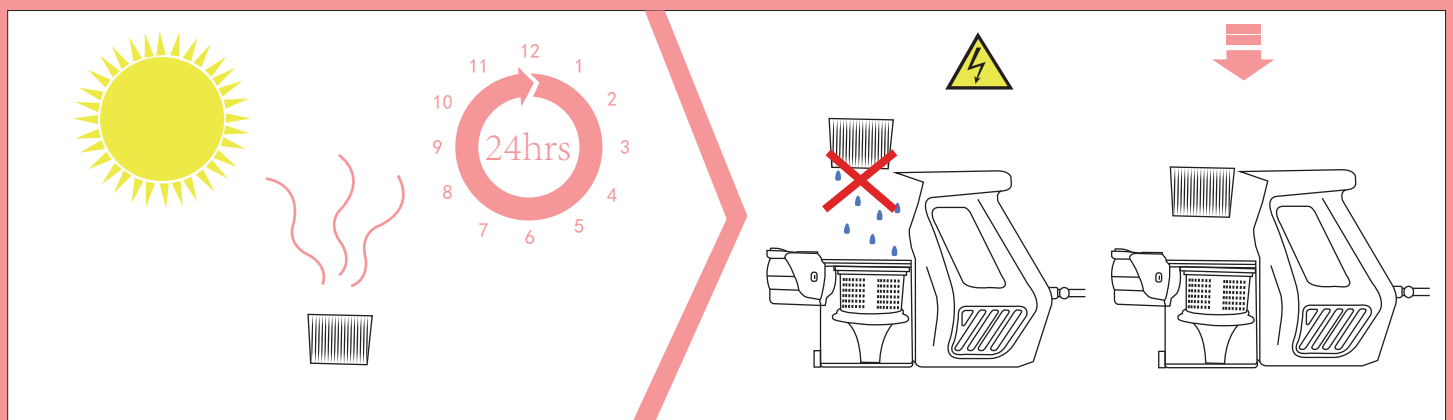
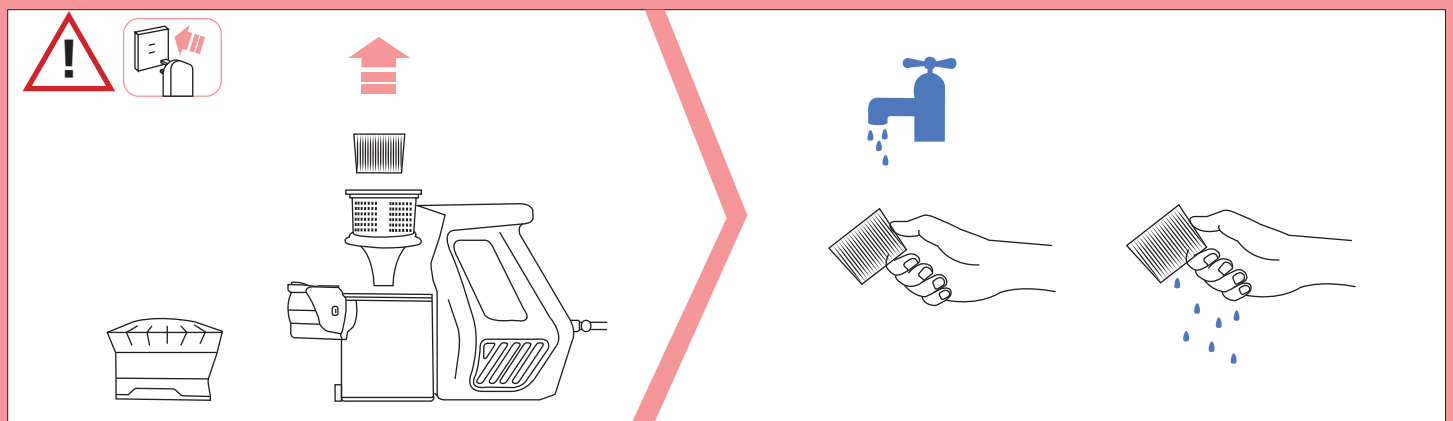
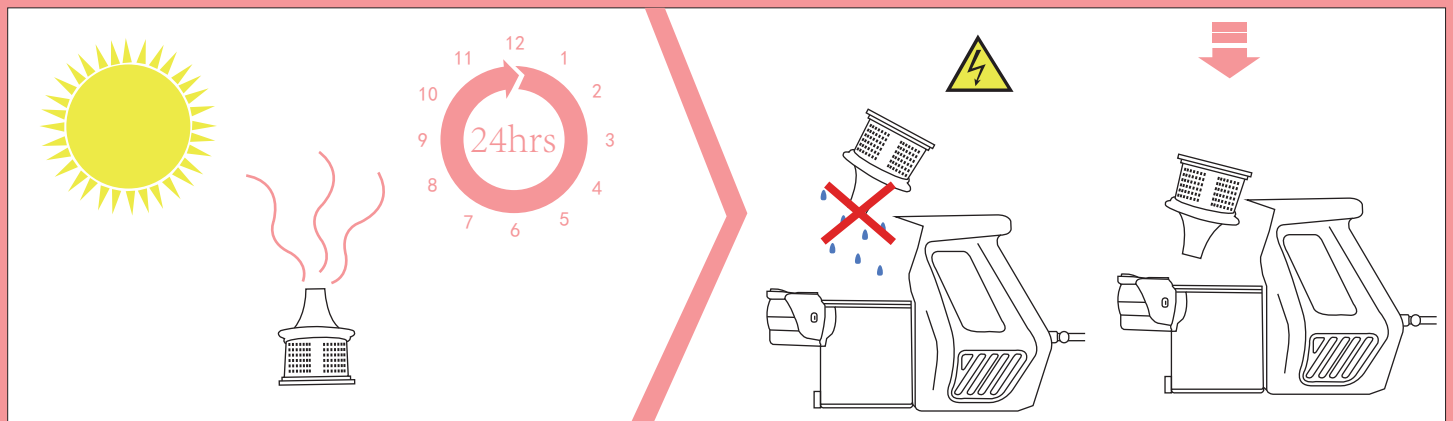
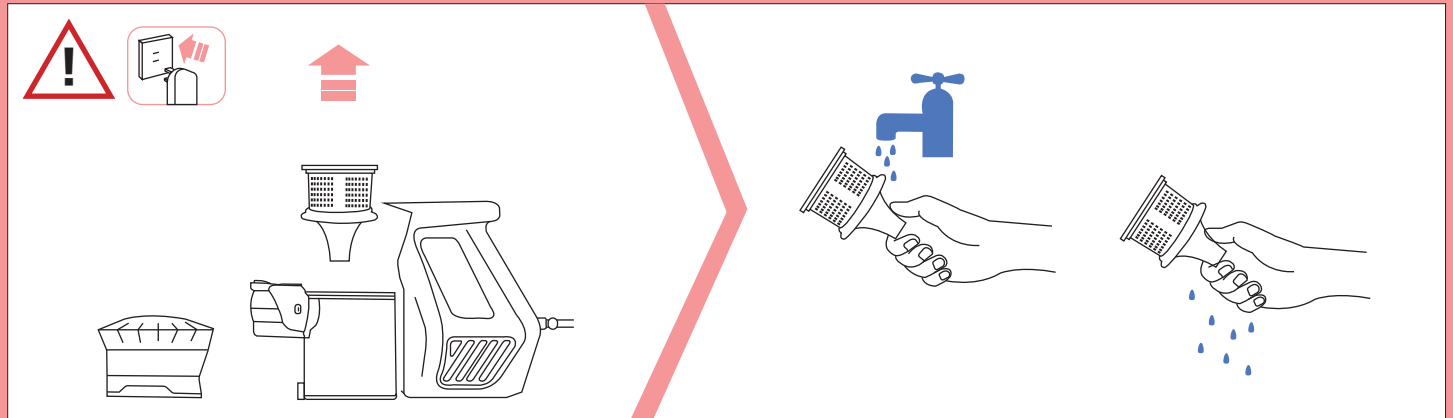
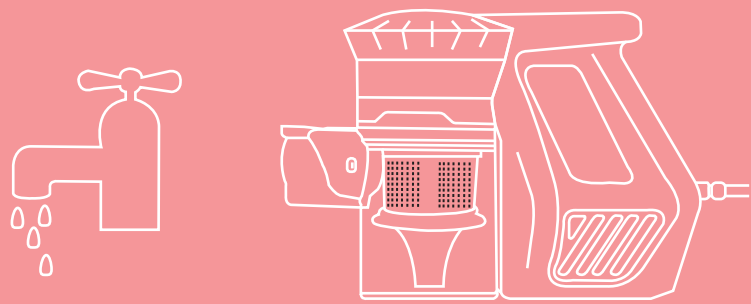
4



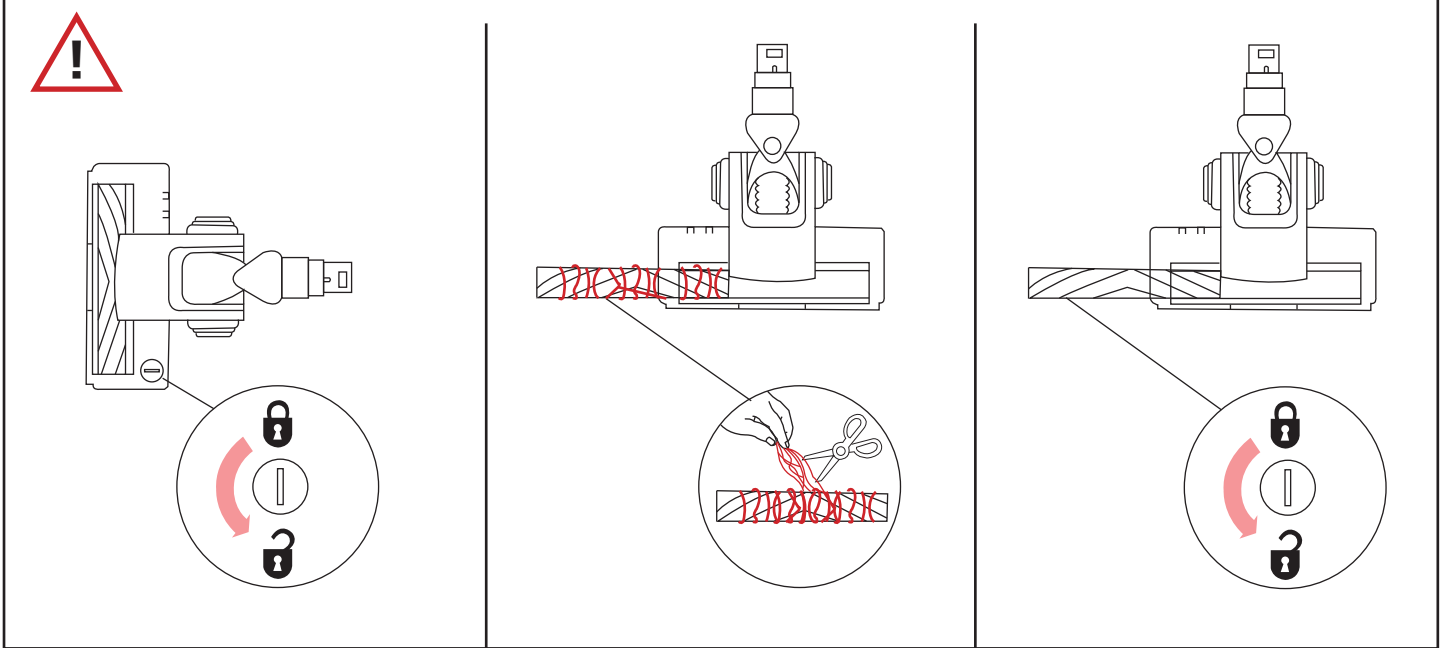
IMPORTANT! WASH FILTERS

Wash filters with cold water at least every month.

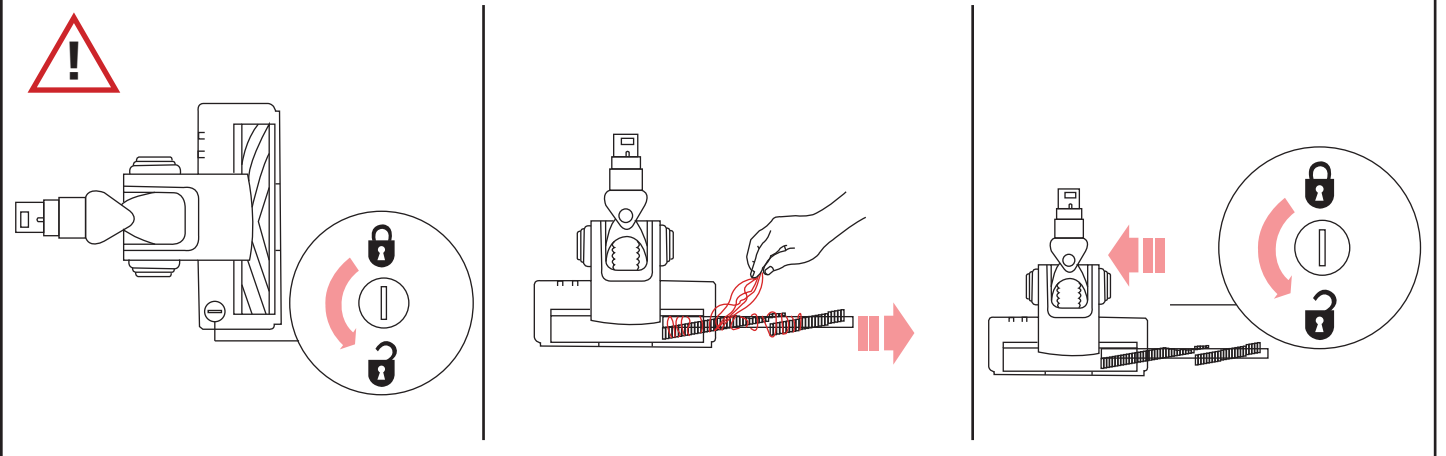
Ensure the filters are completely dry before refitting.



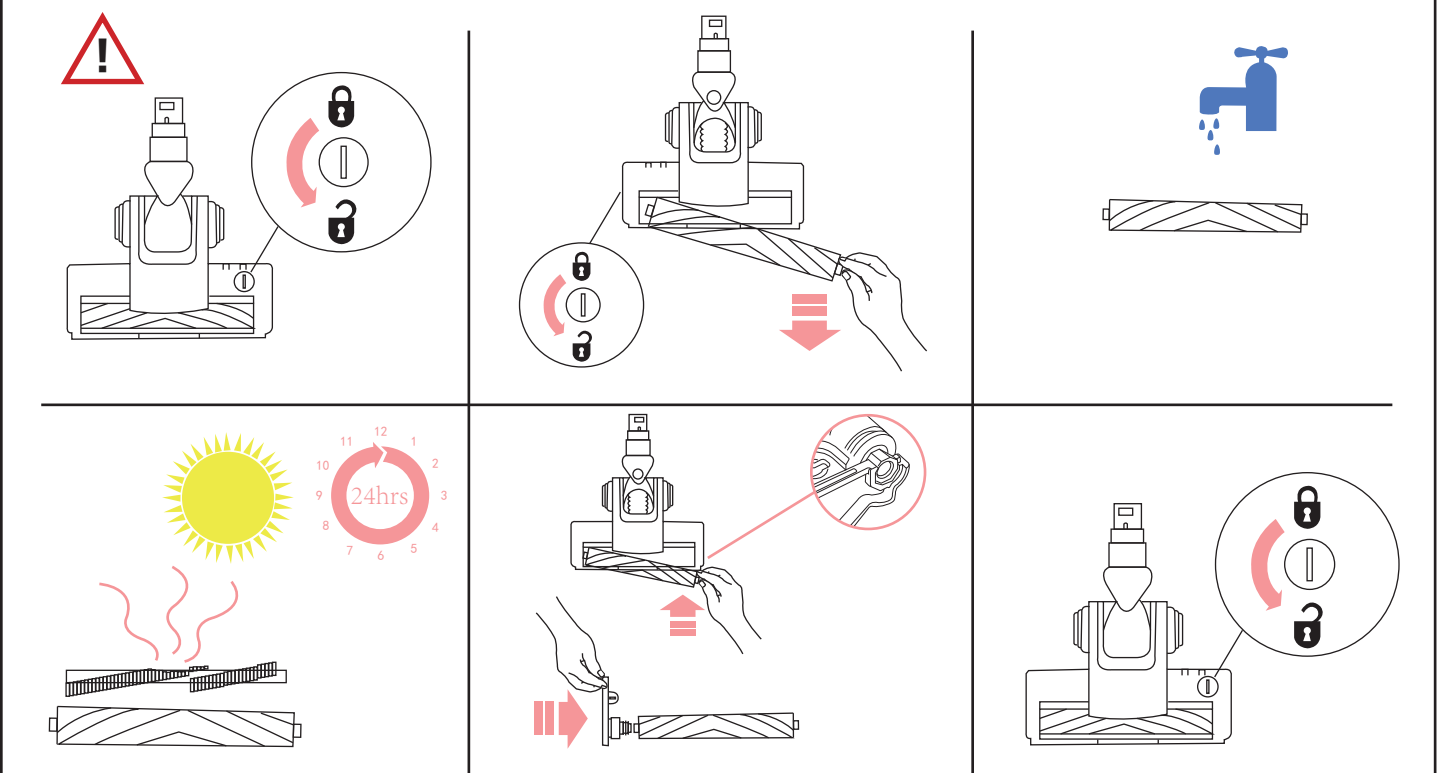
Direct drive cleaner head: Clearing obstructions



Clearing mini motorized tool brush bar obstructions



Soft roller cleaner head: Clearing brush bar obstructions



USING YOUR MACHINE

PLEASE READ THE “IMPORTANT SAFETY INSTRUCTIONS” IN THIS OPERATING MANUAL BEFORE PROCEEDING.

OPERATION

- Do not use outdoors or on wet surfaces or to vacuum water or other liquids – electric shock could occur.
- Ensure the machine remains upright in use. Dirt and debris may be released if it is turned upside down.
- Do not operate while checking for blockages as doing so could result in personal injury.
- For domestic indoor and car use only. Do not use it while the car is in motion or while driving.

CARPETS OR HARD FLOORS

- Before vacuuming your flooring, rugs and carpets, check the manufacturer’s recommended cleaning instructions.
- The brush bar on the machine can damage certain carpet types and floors. Some carpets will fuzz if a rotating brush bar is used when vacuuming. If this happens, we recommend vacuuming without the motorized floor tool and consulting with your flooring manufacturer.
- Before vacuuming highly polished floors, such as wood or linoleum, first check that the underside of the floor tool and its brushes are free from foreign objects that could cause marking.

LOOKING AFTER YOUR MACHINE

- Do not carry out any maintenance or repair work other than that shown and described in this Operating Manual.
- Store the machine indoors. Do not use or store it below 37.4 ° F (3 ° C). Ensure the machine is at room temperature before operating.
- Clean the machine only with a dry cloth. Do not use any lubricants, cleaning agents, polishes or air fresheners on any part of the machine.

VACUUMING

- Do not use without the clear bin and filters in place.
- Fine dirt such as plaster dust or flour should only be vacuumed in very small amounts.
- Do not use the machine to pick up sharp hard objects, small toys, pins, paperclips, etc. They may damage the machine.
- When vacuuming, certain carpets may generate small static charges in the clear bin or wand. These are harmless and are not associated with the central electricity supply. To minimize any effect from this, do not put your hand or insert any object into the clear bin unless you have first emptied it. Clean the clear bin with a damp cloth only.
- Use extra care when cleaning on stairs.
- Do not rest the machine on chairs, tables, etc.
- Do not press down on the nozzle with excessive force when using the machine as this may cause damage.
- Do not leave the cleaner head in one place on delicate floors.

- On waxed floors the movement of the cleaner head may create an uneven luster. If this happens, wipe with a damp cloth, polish the area with wax, and wait for it to dry.

EMPTYING THE CLEAR BIN

- To make emptying the clear bin easier, it is advisable to remove the wand and floor tool.
- To minimize dust/allergen contact when emptying, encase the clear bin tightly in a plastic bag and empty.
- To release the dirt, hold the appliance by the handle, lift upwards to release the cyclone. Continue until the bin base automatically opens and releases the dirt.
- Remove the clear bin carefully from the bag.
- Seal the bag tightly, dispose as normal.

CLEANING THE CLEAR BIN

- Ensure the machine is disconnected from the charger before removing the clear bin.
- Remove the wand and floor tool.
- To remove the cyclone, hold the appliance by the handle, lift upwards until the bin opens, then push in the red button located behind the cyclone and lift the cyclone out.
- To detach the clear bin from the appliance, pull back on the red catch located at the base, slide the clear bin down and carefully remove forwards from the main body.
- Clean the clear bin with a damp cloth only.
- Do not use detergents, polishes or air fresheners to clean the clear bin.
- Do not put the clear bin in a dishwasher.
- Ensure the clear bin is completely dry before replacing.
- To replace the clear bin, align the tabs on the clear bin with the grooves on the main body and slide upwards into place until the catch clicks.

WASHABLE PARTS

Your appliance has washable parts, which require regular cleaning. Follow the instructions below.

WASHING THE FILTERS

- Wash the filters at least once a month according to the following instructions to maintain performance. More frequent washing may be required where the user: vacuums fine dust, uses the machine intensively.

WASHING FILTER

- Ensure the machine is disconnected from the charger before removing the filter.
- Check and wash the filter regularly according to instructions to maintain performance.
- The filter may require more frequent washing if vacuuming fine dust.
- To remove the filter, lift it out of the top of the machine.
- Wash the filter with cold water only.
- Run water over the outside of the filter until the water runs clear.
- Squeeze and twist with both hands to make sure the excess water is removed.

- Lay the filter on its side to dry. Leave to dry completely for a minimum of 24 hours.
- Do not put the filter in a dishwasher, washing machine, tumble dryer, oven, microwave or near an open flame.
- To refit, place the dry filter back into the top of the machine. Make sure it is seated properly.

Trouble Shooting

Problem	Possible cause	Solution
The appliance doesn't work	No power	Charge the battery
	The suction mouth is blocked	Check and remove blockages
Weak suction power	Dustbin and filters are full of dust	Clean the dustbin and filters
	The brush roller is wrapped by hairs or fibers	Clean the brush roller
	The pre filter is not installed	Install the pre filter
	The appliance is blocked (such as tube, suction mouth or Remove blockagesome other part)	Remove blockages
Abnormal motor sounds	The appliance is blocked (such as tube, suction mouth or Remove blockagesome other part)	Remove blockages
Vacuum turns off on its own	This vacuum is equipped with a motor-protective thermostat so it will shut off if it overheats.	<ol style="list-style-type: none"> 1. Turn vacuum off and unplug it. 2. Empty dust cup and clean filters. 3. Check for blockages in hose, accessories, and inlet openings. 4. Allow unit to cool for a minimum of 45 minutes. 5. Plug in vacuum and turn it on.

Note:

In any other case or if the solution explained above did not solve the problem, please contact us at support@nequare.com or visit our website www.nequare.com for further support.



For any help, please contact us:



Email: support@nequare.com



Web: www.nequare.com