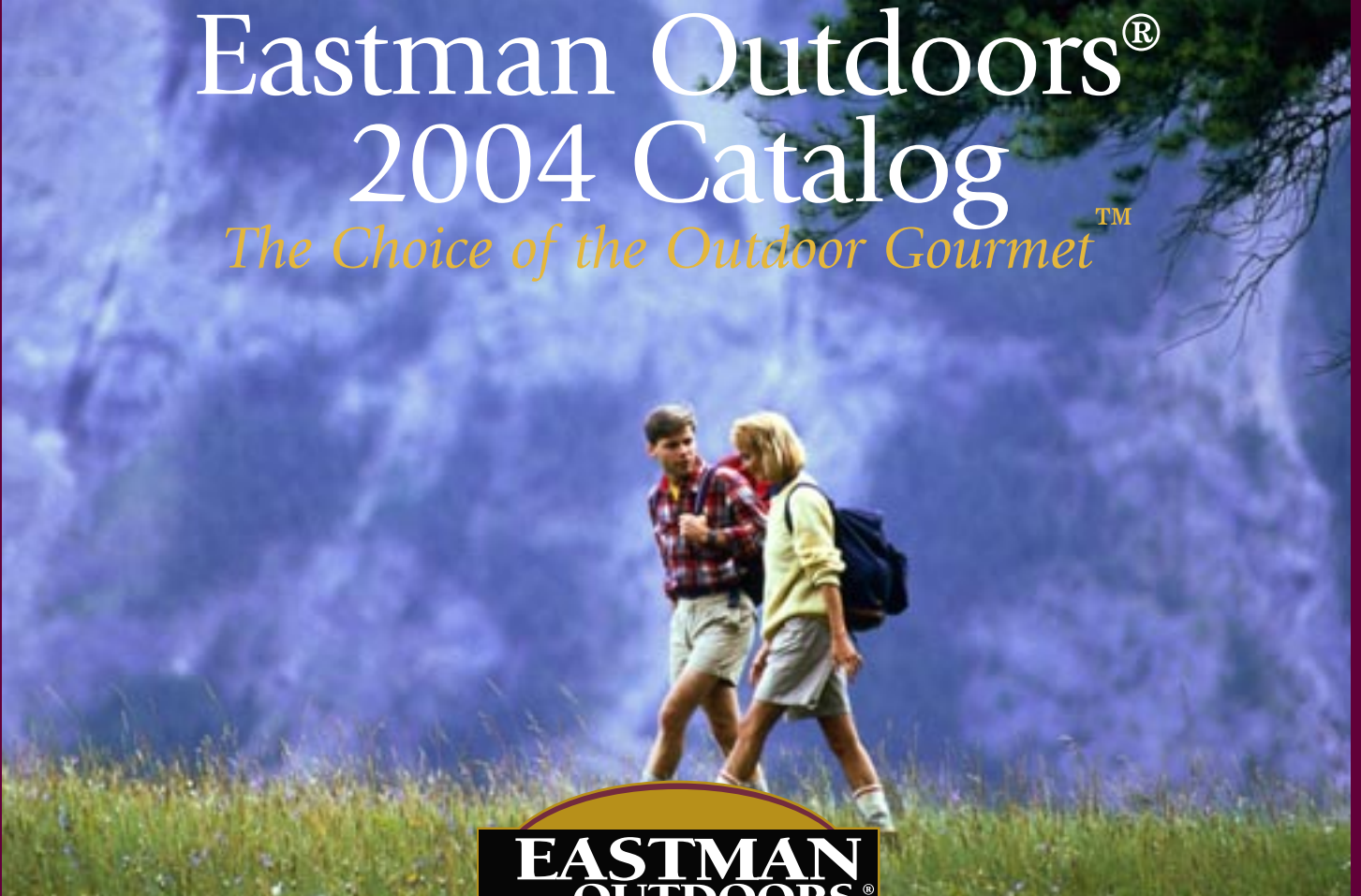




Eastman Outdoors<sup>®</sup>  
2004 Catalog  
*The Choice of the Outdoor Gourmet<sup>™</sup>*



**Products  
for Outdoor  
Enthusiasts,  
created by Outdoor  
Enthusiasts.**

Its twilight and you're savoring the splendid taste of a great country boil that was a backyard treat for the whole family.

Next week you'll deep-fry that beauty of a turkey.

The memories of this holiday meal will be treasured for a long time.

*Outdoor cooking will never be the same again!*

**Eastman Outdoors®**  
*The Choice of the  
Outdoor Gourmet™.*

---

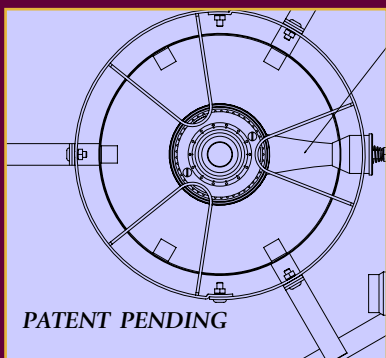
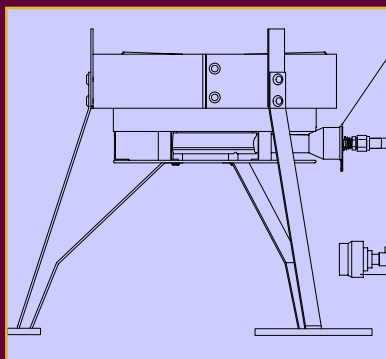
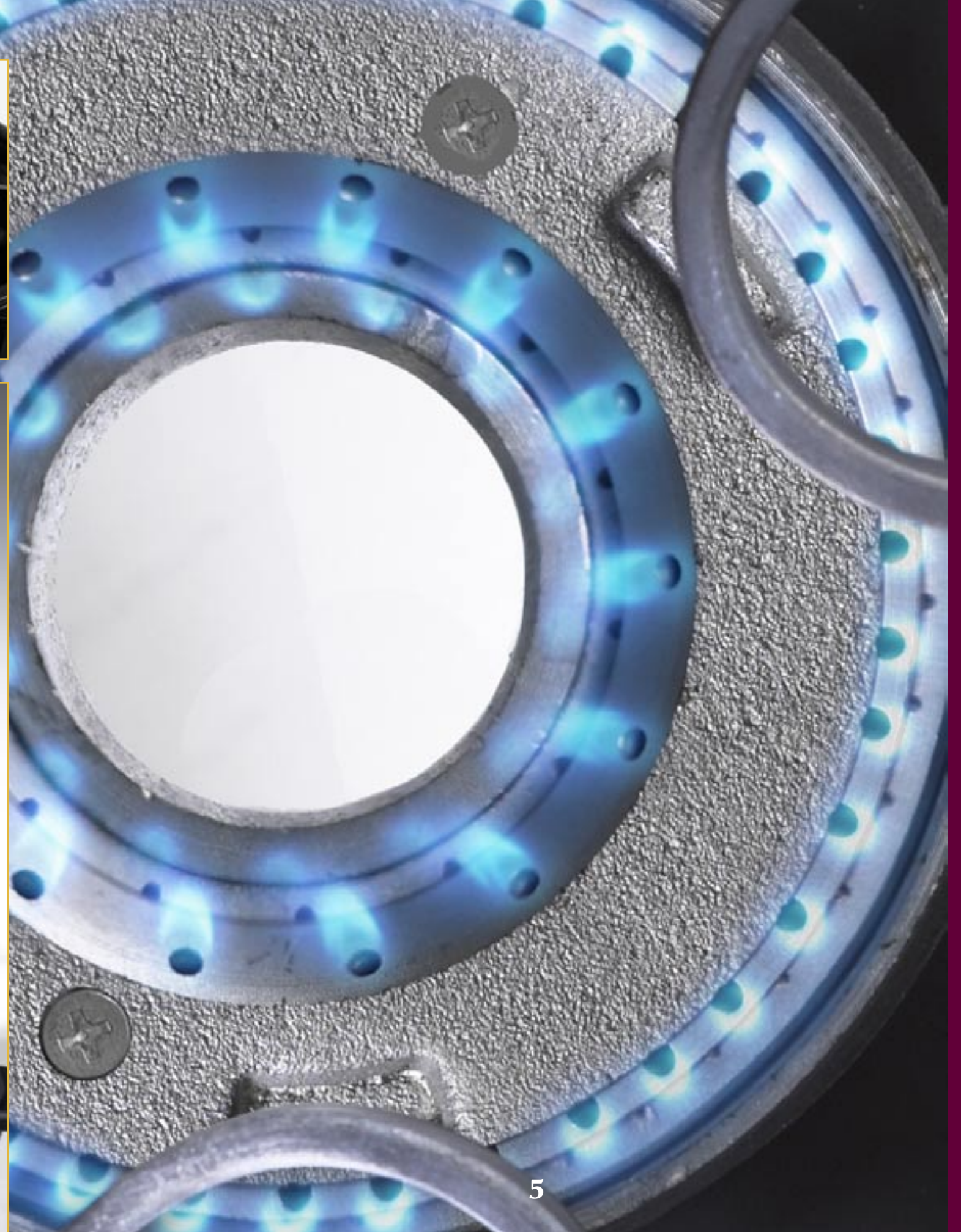
Evolution & Revolution	4
18/8 Stainless Steel Cooking Sets	6
Marrlite™ Non-Stick Cooking Sets	12
Aluminum Sets	14
Revolution Burner™ & the "Big Kahuna"™ & Accessories	18
Wok King™ Woks & Accessories	20
Wok King™ Finishing Sauces	24
TABASCO® brand Spiced Injectable Marinades & Rubs	26
Traditional Injectable Marinades & Seasonings	28
Fish & Seafood Spices, Seasonings, Breading & Batter	30
Wild Game Injectable Marinades & Rubs	32
Jerky Chef™ Seasonings	34
Sausage Chef™ Seasonings	36
Casings, Sausage Stuffer, Jerky Kits & Meat Grinders	38
Wing Sauces	40
Accessories	42
Patio Heaters	47
Gazebos	48
In-Store Displays	50

---

# The All-New Revolution™ Burner

*A unique, safe, and efficient propane burner*

The new Revolution High BTU Burner meets or exceeds all industry standards. By burning hotter you'll have a shorter overall cooking time. By burning cleaner it emits 75% less carbon monoxide emissions than industry standards. A more stable design beats industry standards by up to 20%. The efficient design requires less propane which in turn will save you and your customers money. Available in both our standard burner and the new "Big Kahuna" burner.



## The Beauty of Stainless Steel

*All serious chefs choose stainless steel.*

Eastman Outdoors has taken this time proven material and designed outdoor cookware to withstand the most extreme conditions. You will find no compromises in our equipment. Each commercial 18/8 piece is hand polished, and imported from Italy. We only use Italian stainless steel of a commercial grade for all the pots that we manufacture. This is why the nation's top chefs have awarded us as "best in class".

Item #38094

### Professional Grade Ultimate Cooking Set

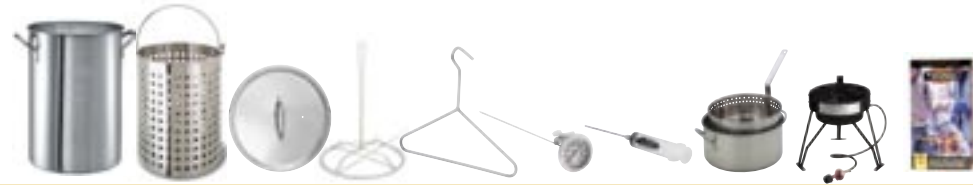
The Ultimate set for the "Outdoor Gourmet". This 18/8 Stainless Steel set includes 12 Pieces. Features everything you need for deep fried turkey, country boils, wings, fish, potatoes and more. 30 minute video is included with easy to follow step-by-step instructions and recipes.

#### Set Includes:

- 30qt. Heavy-Duty Outdoor Cooking Pot
- Basket
- Heavy-Duty Lid
- Lift Hook
- 12" AccuZone Thermometer
- Monster Marinade Injector
- High-BTU CSA approved Revolution Burner™
- Heavy-Duty Hose, Regulator & QCC1 fitting
- Turkey Stand
- 10qt. Heavy-Duty Fish/Wing Pot & Basket with straining clip
- 30 Minute Outdoor Cooking Video.



18/8  
Italian  
Stainless Steel



**Item #37060**

**30qt. Outdoor Cooking Set**

30qt. 18/8 Italian Stainless Steel Pot, Heavy-Duty Lid, Turkey Stand, Lift Hook, 12" AccuZone Thermometer, 2 oz. Monster Marinade Injector and 30 minute Outdoor Cooking Video.

●	●	●	●	●	●	●	●	●	●
---	---	---	---	---	---	---	---	---	---

**Item #37045**

**30qt. Professional Outdoor Cooking Set**

30qt. 18/8 Italian Stainless Steel Pot, Heavy-Duty Lid, Turkey Stand, Lift Hook, 12" AccuZone Thermometer, 2 oz. Monster Marinade Injector, High BTU Revolution Burner and 30 minute Outdoor Cooking Video.

●	●	●	●	●	●	●	●	●	●
---	---	---	---	---	---	---	---	---	---

**Item #38094**

**30qt. Professional Grade Ultimate Outdoor Cooking Set**

30qt. 18/8 Italian Stainless Steel Pot & Basket, Heavy-Duty Lid, Turkey Stand, Lift Hook, 12" AccuZone Thermometer, 2 oz. Monster Marinade Injector, High BTU Revolution Burner, 9qt. Heavy-Duty Fish/Wing Pot & Basket w/straining clip and 30 minute Outdoor Cooking Video.

●	●	●	●	●	●	●	●	●	●
---	---	---	---	---	---	---	---	---	---

18/8  
Italian  
Stainless Steel



**Item #38080**

**9qt. Outdoor Cooking Set**

9qt. 18/8 Italian Stainless Steel Fish/Wing Pot, Stainless Steel Basket, Heavy-Duty Lid and 30 minute Outdoor Cooking Video.

●	●	●							●
---	---	---	--	--	--	--	--	--	---

**Item #38183**

**9qt. Professional Outdoor Cooking Set**

9qt. 18/8 Italian Stainless Steel Pot, Stainless Steel Basket, High BTU Revolution Burner, 4" thermometer & 30 minute Outdoor Cooking Video.

●	●							●	●
---	---	--	--	--	--	--	--	---	---

**Item #38087**

**12qt. Outdoor Cooking Set**

Huge Capacity 12qt. 18/8 Italian Stainless Steel Fish/Wing Pot, and Extra Large Stainless Steel Basket and 30 minute Outdoor Cooking Video.

●	●								●
---	---	--	--	--	--	--	--	--	---

**Item #38091**

**36qt. Crab & Lobster Pot w/Steamer Rack**

36qt. 18/8 Italian Stainless Steel Crab & Lobster Pot, Stainless Steel Basket, Heavy-Duty Lid, Steamer Rack, Lift Hook & 30 minute Outdoor Cooking Video.

			●	●	●	●			●	●
--	--	--	---	---	---	---	--	--	---	---



*Fish, Wings, Vegetables, Shrimp Boils and so much more...*

Eastman Outdoors has the most complete line of commercial grade stainless steel outdoor cooking products available. With our 30- minute video, even a beginner can impress the neighborhood.



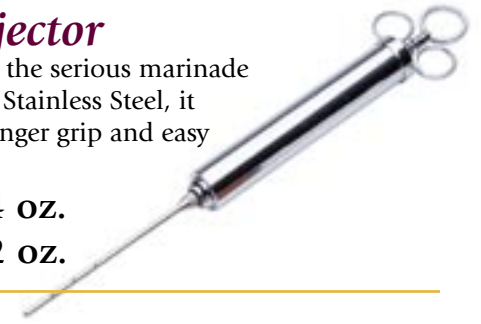
18/8  
Italian  
Stainless Steel

**Stainless Steel Marinade Injector**

This Gourmet Stainless Steel Injector is made for the serious marinade lover, or the gourmet chef. Made of 18/8 Italian Stainless Steel, it features 12 holes on the 6" needle, a three hole finger grip and easy fill and clean removable lid.

**Item# 38203 - Gourmet Injector 4 oz.**

**Item# 38204 - Gourmet Injector 2 oz.**



**Item #38100**  
24qt. Stainless  
Steel Pot with Lid  
& Basket



**Item #37072**  
30 qt. Stainless  
Steel  
All-Purpose  
Basket



**Item #38110**  
36qt. Stainless  
Steel Pot with Lid  
& Basket



**Item #38208**  
Spoon  
**Item #38209**  
Fork  
**Item #38210**  
Skimmer

Commercial Grade 18/8  
Stainless Steel Utensils



**Item #38120**  
48qt. Stainless  
Steel Pot with Lid  
& Basket



**Item #38130**  
60qt. Stainless  
Steel Pot with Lid  
& Basket



Now Clean-Up is Easy with our Marrilite™ Non-Stick Cooking Sets.

Now cleaning up after a turkey fry or shrimp boil is as easy as 1,2,3! With the smooth Marrilite™ non-stick surface you'll have a faster clean-up and less mess.



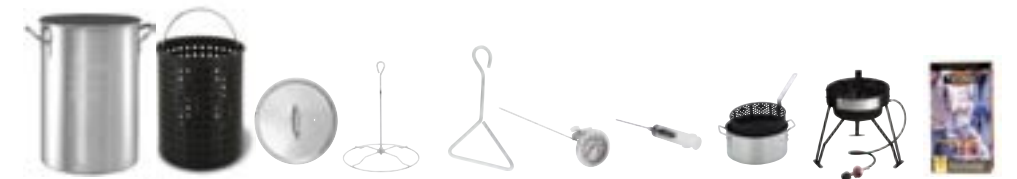
Item #37043  
**The Marrilite™ Non-Stick Whole Enchilada Professional Outdoor Cooking Set**

Everything you need for deep fried turkey, country boils, wings, fish, potatoes and more. 30 minute video is included with easy to follow step-by-step instructions. Non-Stick coated pots and baskets feature easy-to-clean surface that can be literally wiped out after use.

**Set Includes:**

- 30qt. Non-Stick Outdoor Cooking Pot
- Lid • Lift Hook • 12" AccuZone Thermometer
- 2 oz. Monster Marinade Injector
- High-BTU CSA approved Revolution Burner™
- Heavy-Duty Hose, Regulator & QCC1 fitting
- Turkey Stand
- 10.5qt. Non-Stick Fish/Wing Pot & Basket with straining clip
- 30 qt. Non-Stick Boiling Basket
- 30 Minute Outdoor Cooking Video.

Marrilite™  
 Non-Stick  
 Aluminum



**Item #37042**  
**30qt. Non-Stick Outdoor Cooking Set**

30qt. Non-Stick Pot, Lid, Turkey Stand, Lift Hook, 12" AccuZone Thermometer, 2 oz. Monster Marinade Injector and 30 minute Outdoor Cooking Video.

**Item #37040**  
**30qt. Non-Stick Professional Outdoor Cooking Set**

30qt. Non-Stick Pot, Lid, Turkey Stand, Lift Hook, 12" AccuZone Thermometer, 2 oz. Monster Marinade Injector, High BTU Revolution Burner and 30 minute Outdoor Cooking Video.

**Item #37043**  
**30qt. Non-Stick Whole Enchilada Professional Outdoor Cooking Set**

30qt. Non-Stick Pot, 30 qt. Non-Stick Basket, Lid, Turkey Stand, Lift Hook, 12" AccuZone Thermometer, 2 oz. Monster Marinade Injector, High BTU Revolution Burner, 10.5qt. Fish/Wing Pot & Basket w/straining clip and 30 minute Outdoor Cooking Video.

**Item #37070**

**30qt. Non-Stick Basket**  
 Fits all 30 qt. Eastman aluminum and non-stick turkey pots

**Item #38102**

**10.5qt. Non-Stick Pot w/Basket**

●	●	●	●	●	●	●	●	●	●
●	●	●	●	●	●	●	●	●	●
●	●	●	●	●	●	●	●	●	●
●									
							●		



Side-by-Side comparison of Traditional Aluminum vs. Eastman Outdoors Marrilite™ Non-Stick shows just how easy cleaning up can be, in just a few minutes - with no hard scrubbing!

## Eastman Outdoors

*A complete line of outdoor  
cooking products*

Our aluminum pots with baskets offer complete versatility at a camp ground or tail gate. They can be complemented with our High-BTU Revolution Burner™

This option saves shipping costs and shelf space by eliminating the need to carry different burners or putting a tall welded burner on your self.

We warehouse pots with or without baskets up to 60 quarts – enough to feed the entire soccer team.



14

Item #37061

### ***The Whole Enchilada Professional Outdoor Cooking Set***

Everything you need for deep fried turkey, country boils, wings, fish, potatoes and more.  
30 minute video is included with easy to follow step-by-step instructions.

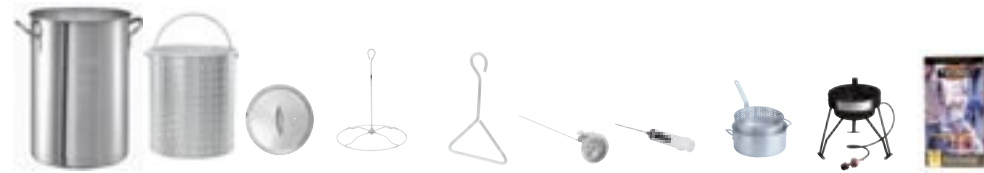
#### **Set Includes:**

- 30qt. Aluminum Outdoor Cooking Pot
- Lid
- Lift Hook
- 12" AccuZone Thermometer
- Injector
- High-BTU CSA approved Revolution Burner™
- Heavy-Duty Hose, Regulator & QCC1 fitting
- Turkey Stand
- 10.5qt. Aluminum Fish/Wing Pot & Basket with straining clip
- Multi-use Aluminum Boiling Basket
- 30 Minute Outdoor Cooking Video.



15

# Aluminum Outdoor Cooking Sets



## Item #38068

### 30qt. Professional Grade Outdoor Cooking Set

30qt. Aluminum Pot, Lid, Turkey Stand, Lift Hook, 12" AccuZone Thermometer, Injector, High BTU Revolution Propane Burner and 30 minute Outdoor Cooking Video.

●	●	●	●	●	●	●	●	●	●
---	---	---	---	---	---	---	---	---	---

## Item #37061

### 30qt. Whole Enchilada Outdoor Cooking Set

30qt. Aluminum Pot, Lid, Turkey Stand, Lift Hook, 12" AccuZone Thermometer, Injector, High BTU Revolution Propane Burner, 10.5qt. Aluminum Fish/Wing Pot & Basket w/straining clip, Multi-Use Aluminum Boiling Basket and 30 minute Outdoor Cooking Video.

●	●	●	●	●	●	●	●	●	●
---	---	---	---	---	---	---	---	---	---

## Item #38099

10.5qt. Professional Outdoor Cooking Set Includes High BTU Revolution Burner, 4" thermometer & video

							●	●	●
--	--	--	--	--	--	--	---	---	---

## Item #38081

10.5qt. Aluminum Pot w/Basket

							●		
--	--	--	--	--	--	--	---	--	--

# Aluminum & Non-Stick Pots, Baskets & Accessories

## Outdoor Cooking Video

Join Eastman Outdoors' Chef Jake Fisher at three locations as he demonstrates cooking techniques and ideas to make your next backyard cookout, camping trip or tailgate the very best. We show you how to:

- Inject and deep-fry a turkey
- create a low-country boil
- make home fries
- potato chips
- wings
- blacken chicken
- deep-fried battered fish
- onion rings
- shrimp boils
- ...and much more!

Item# 38219 30 minute video



## Item #38102

10.5qt. Non-Stick Pot with Basket



## Item #37070

30qt. Non-Stick Basket - fits all Eastman turkey pots



## Item #38081

10.5qt. Aluminum Pot with Basket



## Item #38099

10.5qt. Aluminum Pot with Basket, 4" thermometer High BTU Revolution Propane Burner & Video



## Item #37312

24qt. Aluminum Pot w/Lid & Basket



## Item #37314

36qt. Aluminum Pot w/Lid & Basket



## Item #37316

48qt. Aluminum Pot w/Lid & Basket



## Item #37318

60qt. Aluminum Pot w/Lid & Basket



## Item #37071

30qt. Aluminum Basket



## Item #38205

2 oz. Monster Marinade Injector with 6" Stainless Steel Needle





**The New High-BTU Revolution Burner™**

The CSA-Approved High BTU Propane Burners are perfect for camping or the backyard. Each features the new Revolution Burner™ design, which features a clean burning cast element, altitude stability and heavy-duty high pressure hose, regulator and QCC1 fitting. These burners also have the smallest packaging footprint of any comparable burner on the market. (patent pending)



**New! Item #90312**

**High-BTU Revolution Burner™**

A unique, safe, and efficient propane burner.



**CSA Approved.**

Eastman Outdoors utilizes the Canadian Standards Authority (CSA) for the testing of its propane appliances. CSA is the foremost authority with regard to the testing of this type of appliance and its related components. CSA is a testing organization accredited by the Standards Council of Canada and the United States for such appliances.

- Item # 90320 High Pressure Regulator w/ 90° Fitting
- Item # 90321 Low Pressure Regulator
- Item # 90341 4' LP Hose Extension



18

**New! Item #90410**

**The New "Big Kahuna"**

Just the thing for wok frying, boiling or steaming! And its like having two burners in one. With adjustable legs and the new flip-top rack, you can use either a wok or a pot. This new burner is ready for all occasions!

*Patent Pending*

*Special Features include:*

- Deluxe CSA-Approved Revolution™ Burner
- Legs with easy adjustments from 18" to 28"
- Flip-top burner rack lets you use up to 22" wok or up to 36 qt. pot.
- Hose & QCC1 Regulator



**Flip-Top Rack!**



28"

easy adjustments from 18" to 28"

19

18"



Above Executive Chef Elmer Guzman from Sam Choy's Diamond Head restaurant, Honolulu, Hawaii is seen from a excerpt of our new cooking CD-ROM that shows all the different ways to use the new "Big Kahuna" burner with the new Wok King™ woks and accessories.

**New  
From Eastman  
Outdoors,  
Wok  
Cookware**

The Wok is one of the world's most multifaceted pieces of cookware. Eastman Outdoors is proud to offer both traditional carbon steel and beautiful 18/8 stainless steel woks.

Available in 18" and deep-dish size 22", in both the carbon steel or stainless steel.



**Carbon Steel Woks**

Item #37206 18" Carbon Steel

Item #37208 22" Deep-Dish Carbon Steel

A modern variation on an ancient cooking tool, these traditional carbon steel woks are made to exacting specifications and are designed to be used with our "Big Kahuna" burner.

*Must season before use.*



**18/8 Stainless Steel Woks**

Item #37201 18" Stainless Steel

Item #37203 22" Deep -Dish Stainless Steel

Made of easy to clean 18/8 stainless steel these woks will give you years of cooking enjoyment. Made to exacting specifications they are designed to be used with our "Big Kahuna" burner.

**Aluminum Wok Lid**

Item 37215 16" (fits 18" Wok)

Item #37217 20" (fits 22" Wok)

Fits Carbon Steel and Stainless Steel Woks

Lid is useful, especially for smoking and braising.



**Wok Serving Stand**

**Chrome Coated Steel**

Item #37224

Use to place hot wok on flat surface for serving. *Do not use for cooking.*



**Stainless Steel Wok Accessories**

Item #37220 Stainless Steel 8" Dia. Skimmer

Item #37221 Stainless Steel Spatula

Item #37222 Stainless Steel Spoon

Item #37223 Stainless Steel Strainer

Special wok accessories made of easy to clean stainless steel will add to your cooking enjoyment with your new wok.



Item #37220



Item #37221



Item #37222



Item #37223



## Eastman Outdoors<sup>®</sup> Gourmet Sauces, Marinades, & Spices

*Bringing Bold Flavor to the  
Outdoor Gourmet.*

At Eastman Outdoors, we put every bit as much effort into our gourmet sauces, marinades and kits as we do our Eastman Outdoors cooking sets and accessories.

Food products designed specifically for outdoor enthusiasts by outdoor enthusiasts.

Our marinades are the products of nationally-acclaimed chefs. They're formulated for even distribution during injecting, and to maintain bold flavor throughout the cooking process.

The same care goes into the creation of Eastman Outdoors sausage making kits, jerky making kits and wok sauces. They're formulated to maintain rich, bold flavor. We offer a full-line of wild game marinades, formulated to tenderize the meat and reduce the "gamey" flavor. In fact, we say our marinades "can tame even the wildest game".



**Wok King™  
Wokkin'  
Finishing Sauces**



**Wild Game  
Marinades &  
Seasonings**



**Spiced Injectables  
& Seasonings**



**Fish Seasonings,  
Breading & Batter**

**Traditional  
Injectable  
Marinades**



**Wing Sauces**



**Sausage Chef™**



**Jerky Chef™**



**Wok King™  
Finishing  
Sauces  
& Party Pak**



Outdoor parties will never be the same with the Wok King™ Party Pak from Eastman Outdoors. The Wok King Party is based on the popular Mongolian style restaurants located throughout the country. Cook individual, custom meals or lay out your favorite dishes to choose from. Parties start with the Wok King Party Pak that includes sample bottles of finishing sauces. Consumers can then buy larger bottles of their favorite flavors in 12 oz. bottles.

**Item # 37326  
Hawaiian Heat**  
Warm topical spices, savory soy sauce, spicy chilis with hints of lemon and cilantro.

**Item # 37327  
Mongolian Garlic Sauce**  
Tangy and savory, blending traditional Asian flavors with one of nature's most robust herbs. Created with sauteed, roasted, and ground garlic.

**Item # 37325  
Roasted Teriyaki**  
A distinctively rich, sweet and savory sauce with the flavors of pineapple, toasted sesame, and ginger. A perfect finish for your favorite stir fry or grilled meats and veggies.

**Item # 37330  
Hot & Sour**  
Bring on the Heat! Chilis, garlic, and roasted sesame oil in a tangy sweet blend of brown sugar, red wine vinegar, and soy sauce. A spicy dipping sauce for wontons, dumplings, or shrimp tempura.

**Item # 37328  
Sweet & Sour**  
Tangy pineapple, savory soy sauce, sweet molasses and spices for an extraordinary sweet and sour sauce. It will wake up your spring rolls and crab Rangoon.

**Item # 37331  
Traditional Stir-Fry**  
Wake up your rice or noodles. Traditional Stir-Fry finishing Sauce with garlic, ginger and hints of soy and sesame.

**Item # 37332  
Citrus Stir-Fry**  
Oranges, Apricot, Cinnamon and Allspice bring back memories of the Caribbean. Excellent on roast pork or chicken, rice or noodles.

**Item # 37333  
Mongolian BBQ**  
Anise, Ginger, and Allspice. Zesty garlic, savory soy sauce, and sweet brown sugar. A bold finish to your favorite stir fry. Excellent on roast pork, chicken, rice or noodles.

**Item # 37334  
Spanish Paella**  
Once only for Spanish celebrations, this traditional one dish feast can now be cooked with rice in only 30 minutes. The sky is the limit with this Mediterranean Jambalaya!

**Item # 37322  
Wok King™ Party Pak**  
The Wok King Party Pak by Eastman Outdoors brings together all the essential elements of the new trend in Mongolian-style cooking found in some of the nations most popular restaurants. Our kit includes everything needed to replicate the restaurant experience at home, including sauces, commercial-grade wok, utensils, recipe cards and instruction book. Throw a Wok King™ party using your stove top, barbecue burner, or experience true High-BTU wok cooking with Eastman Outdoors new "Big Kahuna" burner with adjustable legs and flip-top rack.



**Spiced  
Injectables  
& Seasonings**



Spiced with



Eastman Outdoors injectable marinades spiced with TABASCO® brand are in a class of their own. Most injectable marinades “flash off”, or lose their flavor through the cooking process. Not ours. These marinades are made with up to 35% TABASCO® brand Pepper Sauce, and are available in mild, medium or hot heat levels. These marinades have been specially formulated to inject a robust flavor that is evenly distributed. Call your sales rep for a free sample.

You won't be disappointed.

*TABASCO® brand is the only pepper sauce that is carefully aged in white oak barrels for up to three years, according to the time-honored TABASCO® tradition!*

The TABASCO® marks, bottle and label designs are registered trademarks and servicemarks exclusively of and licensed by McIlhenny Company, Avery Island, LA 70513  
www.TABASCO.com

Item # 38401

**Bayou Buttery Gold**

Sweet, creamy butter blended with a touch of TABASCO® brand Pepper Sauce.

Item # 38402

**Sweet Dixie Dijon**

Tangy dijon mustard and natural hickory and mesquite smoke flavors blended with a touch of TABASCO® brand Pepper Sauce.

Item # 38404

**Bourbon Street Mesquite**

A southern style injectable “barbecue” sauce combines natural hickory and mesquite smoke flavors with just the right amount of TABASCO® brand Pepper Sauce.

Item # 38405

**Cajun Garlic Avalanche**

Cayenne peppers, fresh garlic and over 35% TABASCO® brand Pepper Sauce create this Cajun flavor explosion.

Item # 38412

**Cajun Rub**

Hot and wild mix of Cajun flavoring and TABASCO® brand Pepper Pulp and TABASCO® brand Dry Red Flavoring in an easy-to-apply shaker bottle.

Item # 38413

**Garlic Lemon-Pepper Rub**

Spice up your deep fried turkey with the robust flavors of garlic, lemon and pepper, with a kick from TABASCO® brand Pepper Pulp in an easy-to-apply shaker bottle.

**NEW! Item # 38802  
Marinade & Seasoning Gift Set**

Kit includes:  
Two marinade flavors; Bayou Buttery Gold, Bourbon Street Mesquite,  
a Monster Injector and one shaker of Cajun Rub.



Spiced with



**Traditional  
Injectable  
Marinades**



Eastman Outdoors injectable marinades have been specially formulated by some of the nations top chefs to inject an evenly distributed flavor into hamburger, turkey, roasts, chicken, and more! These marinades will not "flash off", and will hold their flavor through baking and deep frying. They are available in mild, medium and hot.

**Item # 38427**

**Garlic Butter**

Smooth, rich, creamy buttery taste with a hint of garlic and a pinch of spice.

**Item # 38428**

**Creole Butter**

Louisiana's answer to boring butter. New Orleans' favorite recipe of peppers, garlic and spice give this buttery marinade a kick of Creole flavor.

**Item # 38422**

**Spicy Ranch**

Cool creamy buttermilk flavor and dill with a touch of garlic, onion and spice.

**Item # 38421**

**Honey Mesquite BBQ**

Savory mesquite smoke and just a touch of sweet rich honey makes this flavor perfect for every member of the family.

**Item # 38423**

**Roasted Pepper**

The sweet flavor of slow fire roasted red, green and yellow bell peppers on an open grill, with a touch of onion, garlic and spices.

**NEW!**

**Item # 38801**

**Marinade Gift Set**

Kit includes: One bottle each of two flavors: Garlic Butter, Honey Mesquite BBQ, a Monster Injector and one shaker of Cajun Rub with TABASCO® brand ingredients



**Fish & Seafood  
Spices,  
Seasonings,  
Batter &  
Breading**



Created in the traditions of the Deep South, Eastman Outdoors has blended all of the spices and flavors of an old fashioned Dixie fish fry. Our Batter and Breading are equally suited for a shore lunch feast on your favorite northern lake.

Both Louisiana Batter and Southern Style Breading are rich in taste and fries a fish as well as any Cajun gourmet. The secret of the South is in Eastman Outdoors Fish Batters and Breading.

*TABASCO® brand is the only pepper sauce that is carefully aged in white oak barrels for up to three years, according to the time-honored TABASCO® tradition!*

*The TABASCO® marks, bottle and label designs are registered trademarks and servicemarks exclusively of and licensed by McIlhenny Company, Avery Island, LA 70513  
www.TABASCO.com*

**Item # 38417  
Lemon-Pepper  
Seasoning**

This savory blend of lemon, pepper, garlic, dill and TABASCO® brand Red Pepper Pulp makes this spice perfect for any catch.

**Item # 38416  
Cajun Seasoning**

Turn up the heat with this wild mix of cajun flavors, TABASCO® brand Red Pepper Pulp, TABASCO® brand Dry Red Flavoring and lemon and paprika.

**Item # 38439  
Blackened Spice**  
Special mix of creole herbs and spices for creating a classic dish from the French Quarter.

**Item # 38440  
"Ol Nawlins"  
Shrimp & Crawfish  
Boil**

Discover the secret of Louisiana chefs! Spice up your shrimp and crawfish with this easy to use mix of Creole spices.

**Item # 38411  
Southern Style  
Batter Mix**

Lightly seasoned batter mix for fish, seafood and chicken.

**Item # 38419  
Louisiana-Style  
Cornmeal Breading**

Lightly seasoned cornmeal breading for fish, pork,



**Wild Game  
Marinades  
& Seasonings**

Many have said that preparing and cooking wild game is an art. Many have also said that eating wild game is like biting into the leather on your favorite hunting boots. Eastman Outdoors Wild Game Seasonings are perfectly blended with hickory, smoked pepper corns, and hints of mesquite to create a masterpiece of your meal. Both Smokey Mountain Hickory and West Texas Grill spices contain natural ingredients to "Tame the Game" flavor that is often associated with venison. They also tenderize the meat so there is no need to bring a knife to dinner...just the appetite the size of Paul Bunyan.

**Item # 38429  
Original Flavor**

A traditional blend of spices and special ingredients that will tame the flavor of even the wildest game.

**Item # 38430  
Kansas City  
Barbecue**

Like our original marinade, tames wild game with a twist of smoke and roasted tomatoes.

**Item # 38410  
Smokey Mountain  
Hickory Seasoning**

Dry-rub blend of our wild game spices and special ingredients, with a pinch of pepper and hickory smoke. Can also be combined with vinegar and oil for a wet marinade.

**Item # 38409  
West Texas Grill  
Seasoning**

Dry-rub blend of our wild game spices and special ingredients with mesquite smoke, cayenne pepper and roasted chili peppers. Can also be combined with vinegar and oil for a wet marinade.

**Item # 38800  
Wild Game  
Gift Set**

Kit Contains: One of each Original and Kansas City marinade and one West Texas Grill Seasoning, plus a Monster Marinade Injector.



**Jerky  
Chef™  
Seasonings**



Eastman Outdoors complete line of Jerky Chef™ seasonings and cure has everything needed to make jerky in an oven, food dehydrator or smoker.

Now available in new convenient 3.2 oz. pack. This now lets your casual user of jerky seasoning do up to 5 lbs. of meat with everything they need, seasoning and cure in one packet. It will also give the first-time user an opportunity to get into jerky-making gradually.

**Item # 38433  
Original**

Traditional blend of herbs and spices that tamed the wild west.

**Item # 38434  
Hickory**

Old fashioned hickory smoked flavor, a favorite seasoning for southern-style jerky.

**Item # 38436  
Mesquite**

Mesquite smoked flavor with a touch of pepper sauce for a flavor bigger than Texas.

**Item # 38431  
Cajun**

A bayou spice medley with the heat and flavor of New Orleans.

**Item # 38437  
Roasted Pepper**

Fire roasted peppercorn and spices deliver a time honored classic taste.

**Item # 38432  
Sweet & Spicy Maple**

Sweet maple flavor with a spicy back-side kick of hot roasted pepper.



*Now available Jerky Chef™  
1.6 oz. Seasoning & Cure Packs!  
Same great robust cure and seasoning  
in one 3.2 oz. pack.  
Will process up to 5 lbs. of meat.*

**Item # 38445  
Original - 3.2 oz Pack**

Traditional blend of herbs and spices that tamed the wild west.

**Item # 38444  
Hickory - 3.2 oz Pack**

Old fashioned hickory smoked flavor, a favorite seasoning for southern-style jerky.

**Item # 38443  
Mesquite - 3.2 oz Pack**

Mesquite smoked flavor with a touch of pepper sauce for a flavor bigger than Texas.

## Sausage Chef™ Seasonings



Eastman Outdoors Sausage Chef™ line of seasonings and cures allow consumers to make restaurant quality sausage in their own kitchen. Simply mix the seasoning according to the instructions, make into patties or stuff into links with our casings and stuffer. Homemade sausage allows for the consumer to control the quality of meat, and adjust the seasoning levels to personal preference. The Sausage Chef™ seasonings are packed in resealable cans to keep unused seasoning fresh. Our sheep and hog casings are 100% natural. Sausage Chef seasonings can be used to make sausage out of pork, beef, chicken, lamb, veal or any wild game.

### Item # 38656 Bratwurst

This hearty German style sausage is best in links and great pan-fried or grilled. Serve with sauerkraut and mustard for a traditional favorite.

### Item # 38650 Breakfast

Traditional breakfast sausage is great both in patty and link form. Also a staple for some great breakfast casseroles.

### Item # 38657 Chorizo

This highly seasoned Mexican-style sausage is a great complement to breakfast in a scramble.

### Item # 38652 Pepperoni

This spicy and peppery sausage is best known for its complement to pizza, but is delicious in lasagna and pasta dishes. Includes 2 oz. cure package. Enjoy fresh or smoked.

### Item # 38653 Cajun

Spicy New Orleans-style sausage has a unique blend of seasonings and spices that will make some of the best sausage around.

### Item # 38655 Italian

This favorite of Italian cooking is a coarse sausage, flavored with garlic and fennel and is fantastic in sandwiches, pasta, and sauces.

### Item # 38651 Summer

This traditional holiday sausage can be used as gifts during the Yule Season or enjoyed year round. Includes 2 oz. cure package. Enjoy fresh or smoked.

### Item # 38658 Andouille

This famous Cajun sausage is traditionally slow smoked and is used in Creole and Cajun cooking for added flavor and depth. Includes 2 oz. cure package. Enjoy fresh or smoked.

## Casings, Sausage Stuffer, Jerky Kits & Meat Grinders

With our Sausage Chef™ line of Casings and Sausage Stuffer, plus the Jerky Chef™ Jerky Kits and accessories, you can make quality meat items in your own kitchen. And now with our brand new Electric Meat Grinder the whole process will move quicker and easier.



**Item # 38672 Hog Casings**  
Natural Hog Casings maximize moisture and take on the flavor of the sausage from the first bite. Hog casings average 32mm–35mm in size. Great for use in Brawurst and Italian style sausages.

**Item # 38670 Sheep Casings**  
Natural Sheep Casings give you great taste through and through. Sheep casings average 20mm–22mm in size. Great for use with breakfast sausage and frankfurters.

**Item # 38671 Fibrous Casings**  
These casings are smoke permeable and are used in smoking and drying sausage. Fibrous casing are 2.5"x20" in size. For use with summer sausage, pepperoni, and salami.

**Item # 38216 Sausage Stuffer**  
Make quality sausages at home with ease! This 5 lb sausage stuffer allows you to quickly extrude ground meat into casings. Includes three sizes of stuffer tubes for use with Italian, braut, breakfast, and frankfurter size sausage.



38

**Item # 38217 Jerky Chef™ Jerky Kit**  
Contains the Jerky Chef Jerky Gun, meat barrel, two nozzles and drying rack. Now you can easily make top quality jerky at home.

**Item # 38218 Drying Rack**  
13.5"x13.5" metal drying rack for drying jerky slices or strips.

**NEW! Item # 38228 Non-Stick Drying Rack - 3 Pack**  
With a non-stick coating these 13.5"x13.5" drying racks make clean-up a breeze.



**Item # 38215 Nozzles**  
Replacement nozzles for meat grinders. Includes three sizes and adapter. Nozzles for links, sausage and bratwurst.

**Item # 38299 Jerky Gun Barrels**  
Two additional barrels for the Jerky Gun. Allows multiple meat loads for large jerky batches.



**Item # 38213 #10 Meat Grinder**  
Compact manual meat grinder, great for making your own hamburger, sausages and bratwurst. Comes with adapter and three nozzles.

**Item # 38214 #32 Meat Grinder**  
Large manual meat grinder, great for making your own hamburger, sausages and bratwurst. Comes with adapter and three nozzles.



**Item # 38223 - Fits #10 Grinder**  
**Item # 38224 - Fits #32 Grinder**  
**Grinder Replacement Blades**  
**Item # 38225 - Fits #32 Grinder**  
**Stew Plate**



**NEW! Item # 38226 Electric Meat Grinder**  
The Eastman Outdoors electric meat grinder helps speed up the process of making your own hamburger, sausages and bratwurst. Comes with adapter and three nozzles. 1 hp. motor.

39

**Eastman  
Outdoors®  
Wing Sauces**

Eastman Outdoors Wing Sauces are gourmet sauces for the discriminating tail gate enthusiast or outdoor entertainer. Wings can be made in party size batches using an Eastman Outdoors High BTU-Revolution Burner™, or in smaller batches on a stove top. Flavors range from mild, to medium, to hot to insane!!

**Item # 38311**  
**Traditional Wing Sauce**  
The serious wing sauce for serious wing lovers. Now you can make restaurant-quality hot wings at home. America's favorite finger food. Great for parties, picnics, camping and tailgating.

**Item # 38312**  
**Mesquite BBQ**  
The perfect flavor for Buffalo style wings. Also great for brushing on hamburgers, ribs and pork.

**Item # 38324**  
**Burnin' Hot Wing Sauce**  
Created for the bravest of the brave hot wing fans!

**Item # 38326**  
**Jamaican Jerk Wing Sauce**  
A blended flavor for Caribbean connoisseurs, Mon! Mix a little with shredded chicken for a great sandwich.

**Item # 38327**  
**Zesty Garlic**  
Keep the vampires at bay with this spicy garlic blend.

**Item # 38329**  
**Smoked Jalapeno**  
Wake up your taste buds with a little extra heat.

**Item # 50000**  
**Hooters® Hot Pot**  
Experience authentic Hooters® chicken wings at home. Kit includes 10.5 qt. aluminum fry pot and basket, 12 oz. Hooters® wing sauce, 1 lb. Hooters® wing breading and 5 oz. Hooters® hot sauce. Perfect for tailgating, Superbowl parties, and any fan of chicken wings.



**Item # 50001**  
**Hooters® Refill Pack**  
Refill your Hot Pot Kit with 12 oz. authentic Hooters® wing sauce and 1 lb. Hooters® wing breading.



**Item #38300**  
**Hot Wing Kit**  
Includes: 10.5 qt. aluminum pot and basket, 12 oz. Eastman Outdoors Traditional Wing Sauce, 2 oz. TABASCO® brand Pepper Sauce, Hot wing heat adjuster chart.

# Eastman Outdoors<sup>®</sup> Accessories For Any Situation

*Great Outdoor Living Accessories  
for the Great Outdoors.*

Imagine relaxing out in the open, miles from the nearest highway, the fresh smell of pine in the air, getting ready to serve a gourmet lobster dinner. Or preparing a succulent deep-fried turkey with all the trimmings for that hungry group of relatives at the holidays. That's the lifestyle your customers crave, and that's what we serve 'em up. Eastman Outdoors offers a full-line of accessories designed expressly for the outdoor lifestyle. And they're just as popular with the tailgate set during festive fall football afternoons.

*We put tremendous thought and energy into every accessory that carries the Eastman Outdoors name.*



**Safari System<sup>™</sup>  
All-Weather  
Gazebos**



**Outdoor  
Patio Heaters**



**Gourmet Marinade  
Injectors**



**Aluminum Folding Tables**

**Gourmet Peanut Oil**



**Deep-Fry  
Accessory Kit**

## Eastman Outdoors Accessories



44

### Item # 38033 Deep-Fry Accessory Kit

This accessory kit adds all you have been missing from your outdoor cooking experience: An ABS Plastic Oil funnel and filters for easy clean-up and storage of used oil, a 2 oz. Monster Marinade injector, a pair of heavy-duty leather cooking gloves for safe cooking, 12" AccuZone Thermometer and our 30 minute Outdoor Cooking video.

### Item # 38611 Oil Funnel

ABS Plastic funnel for draining and filtering used oil into a storage container.

### Item # 38612 Oil Funnel Filters (Six Pack)

### Oil Filter Pump

The patented cooking oil pump solves the problems associated with re-using cooking oil. It eliminates spillage when transferring from pot to storage container, and filters most particulate cooking matter which can taint the oil over time. Includes replacement filters, and is available in battery or electric versions.

Patent Number: 6,179,558

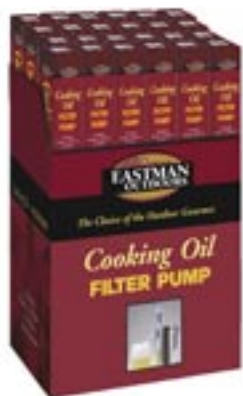
### Item # 38285 Three-Battery Oil Pump

### Item # 38286 Three-Battery Oil Pump 24 Pack Display

### Item # 38287 Three-Battery Oil Pump 12 Pack Display

### Item # 38284 Electric Oil Pump

### Item # 38085 Oil Pump Replacement Filters (6 per bag)



### Item # 38199 Turkey Stand

Solid construction turkey stand has top hook for easy lift out using lift hook. Raised metal bottom raises turkey from the bottom of the pot.

### Item # 38202 Lift Hook

Solid construction hook has hand hold area for safe removal of turkey stands from high temperature oil.

### Item # 38201 4" Deep-Fry Thermometer

Item # 38200  
12" Deep-Fry Thermometer  
Both of these thermometers are constructed for use in deep frying. They are dishwasher safe and feature easy to read temperature markings. The handy side clip fits all Eastman Outdoor pots.

### Stainless Utensils

Made of commercial grade 18/8 stainless steel.

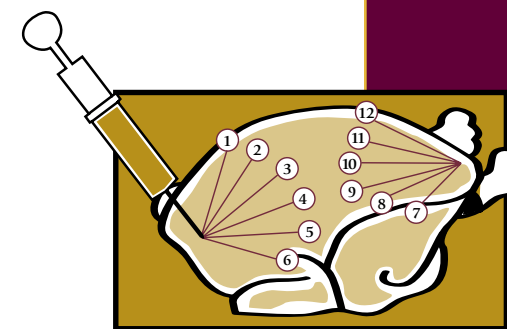
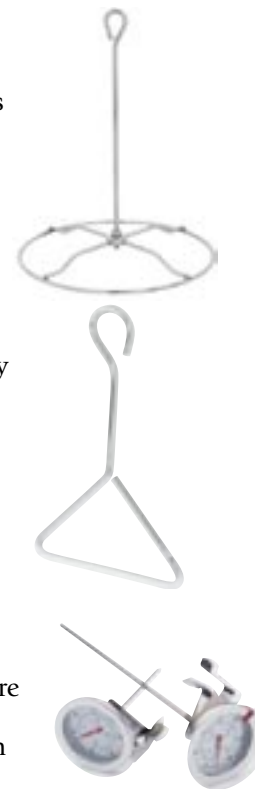
### Item # 38209 Fork

### Item # 38208 Spoon

### Item # 38210 Skimmer

### Item # 38610 Gourmet Peanut Oil

The perfect mix for outdoor cooking. Peanut oil does not transfer taste and is stable when cooking at high temperatures. Can be re-used and stored.  
Peanut Oil 17.5 lbs. jug.



45

### Item # 38207 13" Leather Cooking Gloves

### Item # 38212 19" Leather Cooking Gloves

All leather, heavy-duty gloves protect from hot oil and steam. Available in 13" and 19" Gauntlet style.



13" Leather  
Cooking Gloves

19" Leather  
Cooking Gloves

### Gourmet Marinade Injector

This Gourmet Stainless Steel Injector is made for the serious marinade lover. Made of 18/8 Italian Stainless Steel, it features 12 holes on the 6" needle, a three hole finger grip and easy fill and clean removable lid. Now available in two sizes: 4 oz. & 2 oz.

### Item # 38203

### Gourmet Injector 4 oz.

### Item # 38204

### Gourmet Injector 2 oz.

### Item # 38205

### Monster Marinade Injector

2 oz. Plastic barrel, 6" stainless steel needle with 12 holes for thorough marinade distribution



### How to Inject a Turkey

The 12 port Monster Marinade Injector is specifically designed for injecting marinade into turkeys, poultry and other meats. The diagram to the left indicates the suggested places where marinade should be injected for optimum flavor distribution. Although you can simply inject marinade into the meat by puncturing the skin, we suggest the best way is to inset the needle under the skin and into the muscle meat. This technique locks in the marinade during the cooking process and results in better, bolder flavor. The 6" needle of the Monster Marinade Injector allow you to use this process of injecting under the skin due to it's length and number of injection holes.

Item # 90096



Item # 90095

### Aluminum Folding Tables

Unique design for quick, easy set-up. Compact size for convenient storage. Comes with nylon carrying bag for easy transport. Ideal for camping and tailgate parties.

Item # 90095  
Size: 27"x 27.5"x 27.5" H  
Item # 90096  
Size: 27.5"x 55.5"x 27.5" H

### Pocket Furnace Hand / Foot Warmers

A safe, easy way to keep hands and feet warm in the coldest weather. Chemically activated when exposed to air. Twin pack glove size lasts up to eight hours. Large, mini and footwarmer sizes available.

Item # 8517  
**Large Pocket Warmer**  
Item # 9020  
**Mini Glove Hand Warmer**  
Item # 8510  
**Foot Warmer**  
Item # 8507  
**Small Counter Display**  
(includes 20 pocket furnaces and 20 glove furnace twin packs)  
Item # 8508  
**Large Counter Display**  
(includes 40 pocket furnaces and 40 glove furnace twin packs, 20 foot-warmer furnace twin packs)



46



### Item # 90207 Table top Patio Heater

This compact table top version of our commercial grade heater is perfect for picnics, parties, backyard, camping and tailgating. Adjustable from 7,000 to 11,000 BTUs. The 22" reflector dome generates vortex heat flow. Uses standard 1 lb. propane cylinder, has a wide stabilizing base and auto safety shut-off feature. A wire safety guard surrounds the commercial grade stainless steel heating element. Stands 36" assembled. For outdoor use only.

### Item # 90341 4' Extension Hose

Allows table top heater to be connected to a standard propane tank for longer fuel supply. Constructed from heavy duty hose.

### Item # 90208 Black Patio Heater with Hi-Lo Table

Commercial grade steel construction with Stainless Steel housing and black table.



*Stainless Steel & Black Patio Heaters Available without table as direct import only. Call for details.*

## Eastman Outdoors Patio Heaters

Perfect for taking the chill out of cool evenings. This stainless steel-constructed patio heater features an adjustable table (patent pending). Table adjusts from 39" high (bar height) to 33" (standard table height). Adjustable up to 40,000 BTU burner with safety shut off control. 36" extra large radiant dome generates vortex heat flow, radiating heat in a 20' diameter. Also features quick-fill weight tank (patent pending) for extra measure of stability. Can fill tank with water (28 lbs.) or sand (44 lbs.) Commercial grade stainless steel heating elements and control housing for years of trouble-free use. Uses standard LP gas cylinder. Stands 7'3" assembled, 36"x25.5"x25.5" box. Shipping weight 116 lbs. For outdoor use only.



Item # 90209  
Stainless Steel Patio Heater

### Adjustable Table:

Fully adjustable table allows two heights: Chair/sitting (33") Bar/standing (39") patent pending

### Quick Fill Weight Tank:

Easy fill and empty weight tank adds stability to the heater. Fill with water for an additional 28 lbs., or with sand for 44 lbs.

patent pending

47

## Eastman Outdoors Accessories

**The Safari-System™ All-Weather Gazebos.**

Versatility to meet changing weather conditions. Optional windproof polyethylene walls and micro-mesh screens can be attached to the gazebo depending on the need. A Safari-System Gazebo can be built with all screens, all polyethylene walls or a combination of both. Walls and screens attach with self-adhesive strips that seal out insects and the elements.

*Damaged screens can now be easily replaced and unit can be assembled and stored much easier by removing screening first.*

Each pack will make walls on 50% of the appropriate gazebo. Two packs are required to enclose the entire unit. Each pack contains one door with YKK zipper.

<b>Fabric</b>	Heavy-duty, 130 gm 14 x 16 ripstop polyethylene
<b>Frame</b>	Spring-loaded clip design with nylon corner joints
<b>Guy Ropes/D-Rings</b>	Hi-tensile, braided, polypropylene fiber ropes and zinc-coated steel, D-ring at each corner.
<b>Screen</b>	Tear-resistant polypropylene micro-mesh
<b>Zipper</b>	Premium-quality, dual-slider YKK zipper construction
<b>Color</b>	Forest Green & Snow White
<b>Accessories</b>	Large storage bag, tent stakes, set-up instructions.

**Safari System™ All Weather Gazebos**



Screens attach easily with self-adhesive strips that seal out insects and the elements.



Walls can be easily attached by a single person. Seals out the elements



**Item # 86010 Safari System Square Gazebo**

- 10'6" x 10'6"
- 96" Center Height
- 78" Eaves
- Zinc-coated steel .75" diameter upright legs and roof framing.

**Item # 86011 Safari System Screens**

Micro mesh screen attaches easily to 10'6" Safari System Gazebo. 2 Screens per pack.

**Item # 86012 Safari System Walls**

Polyethylene walls attaches easily to 10'6" Safari System Gazebo. 2 Walls per pack.

**Item # 86020 Safari System Hexagon Gazebo**

- 13' x 13'
- 116" Center Height
- 79" Eaves
- White, electrostatic powder coated steel 1" diameter upright legs and .75" diameter roof framing.

**Item # 86021 Safari System Screens**

Micro mesh screen attaches easily to 13' Safari System Hexagon Gazebo. 3 Screens per pack.

**Item # 86022 Safari System Walls**

Polyethylene walls attach easily to 13' Safari System Hexagon Gazebo. 3 Walls per pack.

Patent 6,196,245

**Item # 38526**  
**Spiced Injectable Marinade & Seasoning Center**

Dimensions: 48" H x 24" W x 24" D

Includes pallet height.

**Item # 38525**  
**Traditional Injectable Marinade & Seasoning Center**



50

**Item # 38550**  
**New Jerky Chef™ SideKick for 1.6 oz. Packets**

Dimensions: 38.75" H x

14.5" W x 4.5" D



51

**Eastman  
Outdoors  
In-Store  
Displays**

**Mini Pallet  
Display Program**

Maximize merchandising power with this small footprint display. Shipped on a 2' x 2' pallet. Pre-packaged for easy drop-in and sell.

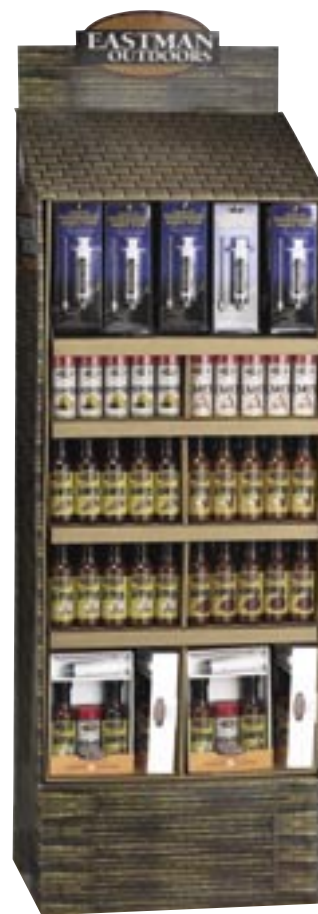
**Item # 38546**  
**Spiced Injectable**  
**1/4 Pallet Display**

See supplemental insert for product mix and details.



**Item # 38543**  
**Sausage Chef™**  
**1/4 Pallet Display**

See supplemental insert for product mix and details.



**Item # 38545**  
**Injectable Marinade**  
**1/4 Pallet Display**

See supplemental insert for product mix and details.

**Item # 38541**  
**Jerky Chef™**  
**1/4 Pallet Display**

See supplemental insert for product mix and details.



**Item # 38544**  
**Wild Game**  
**1/4 Pallet Display**

See supplemental insert for product mix and details.



**Eastman**  
**Outdoors**  
**In-Store**  
**Displays**

**Quarter Pallet**  
**Display Program**

Disposable full color displays can be used on a pallet or off and can be positioned back-to-back, side-by-side, or stand alone.

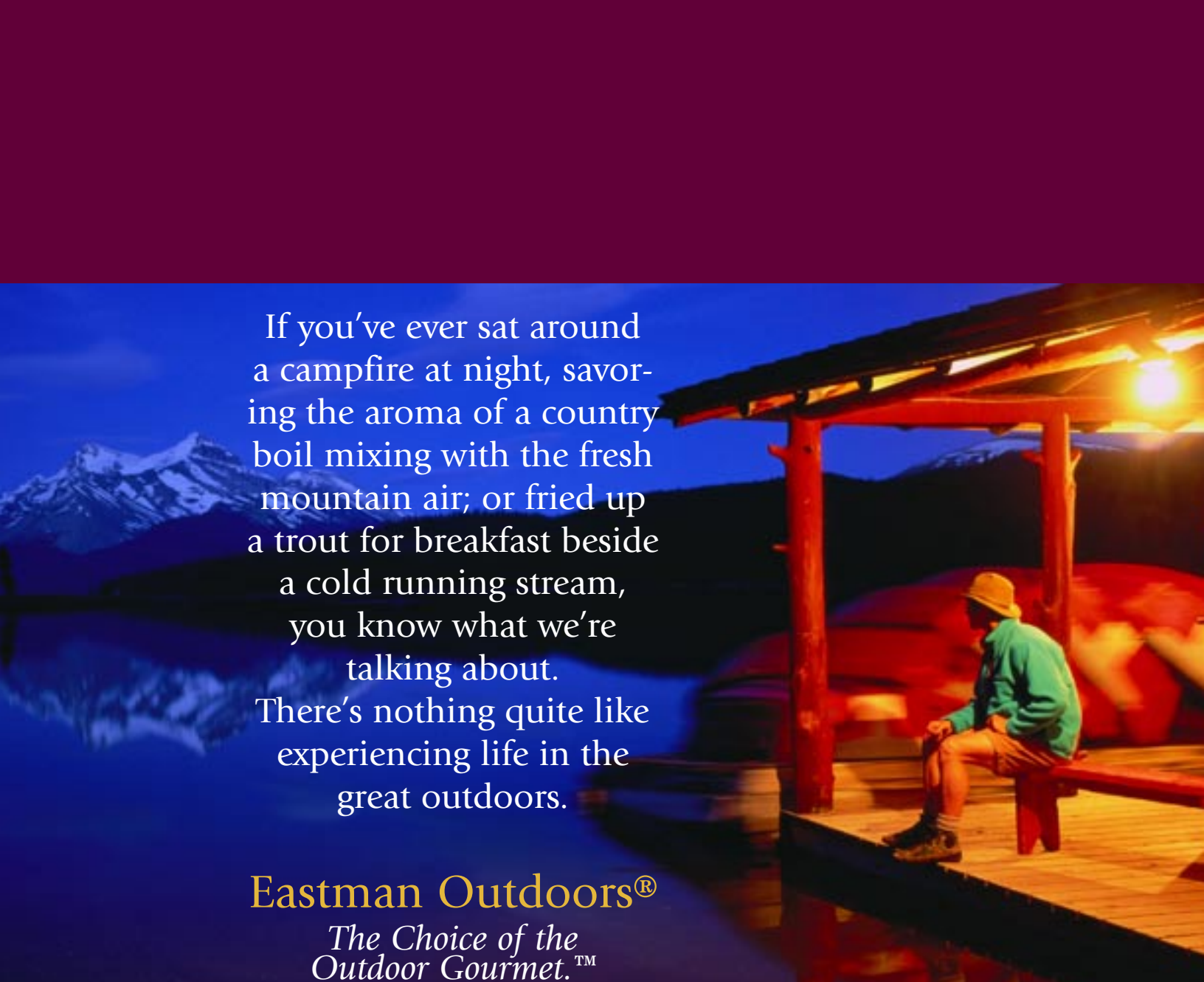
Each display is sized to fit four per pallet or one per 1/4 pallet.



*Products for the Outdoor  
Enthusiast.*

*Created by Outdoor Enthusiasts.*





If you've ever sat around  
a campfire at night, savor-  
ing the aroma of a country  
boil mixing with the fresh  
mountain air; or fried up  
a trout for breakfast beside  
a cold running stream,  
you know what we're  
talking about.  
There's nothing quite like  
experiencing life in the  
great outdoors.

**Eastman Outdoors®**

*The Choice of the  
Outdoor Gourmet.™*

**EASTMAN  
OUTDOORS®**

Eastman  
Outdoors, Inc.  
P.O. Box 380  
Flushing, MI  
48433

[www.eastmanoutdoors.com](http://www.eastmanoutdoors.com)

Order Line:  
(800) 241.4833