



**Gourmia**®

MODEL# GK320

**DUAL VOLTAGE  
FOLDING TRAVEL KETTLE**



© 2018 Gourmia  
www.Gourmia.com  
The Steelstone Group  
Brooklyn, NY

All rights reserved. No portion of this manual may be reproduced by any means whatsoever without written permission from The Steelstone Group, except for the inclusion of quotations in a media review.

Although every precaution has been taken in the preparation of this manual, The Steelstone Group assumes no responsibility for errors or omissions. Nor is any liability assumed for damages resulting from the use of the information contained herein. Although every effort has been made to ensure that the information contained in this manual is complete and accurate, The Steelstone Group is not engaged in rendering professional advice or services to the individual consumer; further, The Steelstone Group shall not be held responsible for any loss or damage allegedly arising from any information or suggestion in this manual.

Printed in China



## Welcome to the *Convenience* of Electric Kettles from Gourmia!

With the purchase of your Electric Kettle, you are ready to enjoy the convenience and energy saving rewards of using an electric kettle over stove top. Gourmia has created the perfect solution to easily make tea, instant cocoa, oatmeal, noodles, and more – with the GK320 Electric Kettle. This kettle boils faster than a microwave.

The following pages of this manual offer full and complete instructions for all the functions and features of your Electric Kettle. Inside these pages, you'll find information on and instructions for assembly, operating, cleaning and maintenance of your Electric Kettle. Please read all safety instructions and complete directions carefully for safe usage at all times.

Thank you for your purchase! We hope you will enjoy all the innovative products brought to you by our family at Gourmia.

**SAFETY FIRST P. 6**

**OPERATING INSTRUCTIONS P. 8**

BEFORE FIRST USE P.8

**CLEANING & MAINTENANCE P. 9**

**WARRANTY & SERVICE P. 10**

TROUBLESHOOTING P.10

WARRANTY AND SERVICE P.11



## IMPORTANT SAFEGUARDS

When operating this electric appliance, basic safety instructions should always be followed. Refer to the following for these instructions

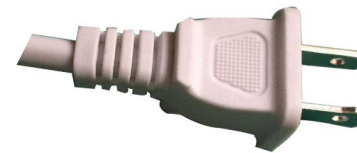
1. READ ALL SAFETY & USAGE INSTRUCTIONS BEFORE USING.
2. Do not use appliance on wet or hot surfaces, or near a heat source.
3. To protect against electric shock, do not immerse any part of appliance, power cord or plug in water or other liquid. Unplug from outlet when not in use and before cleaning.
4. To disconnect, unplug power cord from electrical outlet. Do not disconnect by pulling on cord.
5. Do not operate appliance with a damaged power cord or plug. Do not operate appliance if it malfunctions or is in any way damaged. For details, contact Consumer Services.
6. Use appliance only for its intended use.
7. Closely supervise children when using any electrical appliance. Do not allow appliance to be used as a toy.
8. The appliance has a polarized plug (one blade is wider than the other). To reduce risk of electrical shock, this plug is intended to fit in a polarized outlet only one way. If plug does not fit fully in the outlet, reverse plug. If it still does not fit, contact a qualified electrician. Do not modify plug in any way.
9. Caution: A short power cord is provided to reduce risks from entanglement or tripping over a longer cord. An extension cord may be used when marked electrical rating is no less than electrical rating of this appliance. All cords should not drape over counter or tabletop where cords can be tripped over or pulled on unintentionally, especially by children.
10. Do not place on or near a hot gas or electric burner, or heated oven. Extreme caution must be used when moving products containing hot liquids.
11. Do not place the base of your kettle in a metal tray. If water spills over in to the tray, and a build-up occurs, it could become dangerous to touch.
12. Position the kettle to the rear of work surfaces to prevent over hanging of the power cord. Water can remain hot for a considerable time after boiling and can present a scald hazard.
13. Only operate the kettle on a flat, stable, heat-resistant surface.
14. For Household Use Only.

## SAVE THESE INSTRUCTIONS

## FOR HOUSEHOLD USE ONLY

### Electrical Polarized Plug:

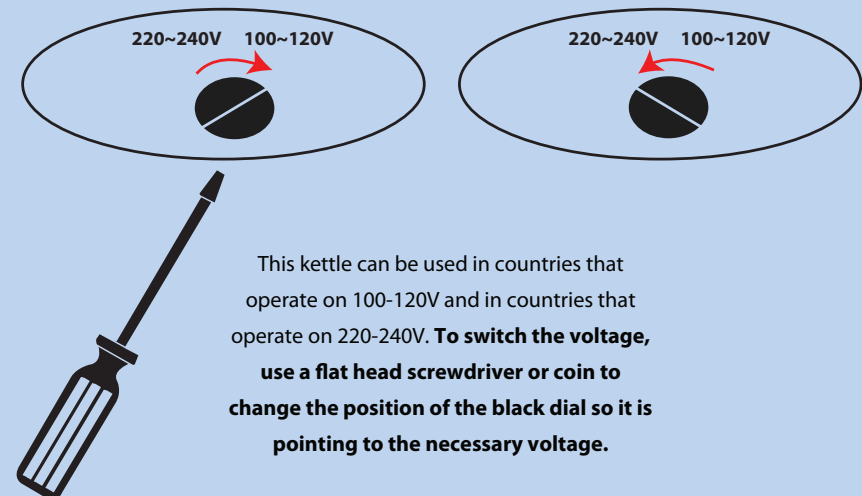
This product has a polarized plug (one blade is wider than the other). To reduce the risk of electrical shock, the plug is intended to be used by inserting it into the electrical outlet only one way. If the plug does not fit securely into the outlet, turn the plug and re-insert. Do not modify this plug. If the plug does not fit the outlet securely, call a qualified electrician for assistance. Do not use this plug with extension cords of any kind.



## DUAL VOLTAGE OPERATION

**100-120V**  
Point dial to the right.

**220-240V**  
Point dial to the left.



**OPERATING INSTRUCTION**

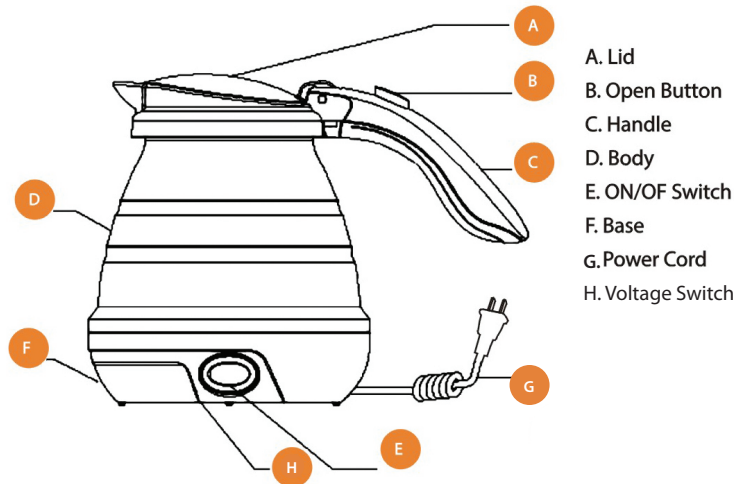
**BEFORE USING FOR THE FIRST TIME**

Remove all of the various packaging, stickers or accessories from both the inside and outside of the kettle. Make sure voltage switch on the bottom of the kettle is set to the correct voltage for your location. Fill the kettle with clean water to maximum capacity and boil. Discard the water and repeat the process. The kettle should always be unplugged when adding water.

Fill the kettle with water to desired level. Do not overfill in order to avoid spillage or overflow. The water level indicator will assist you to measure the correct amount. You can fill the kettle via the spout or through the lid opening.

An automatic safety shut-off feature is in place to protect against overheating. If there is insufficient water in the kettle it will shut off. Do not fill below minimum line (MIN / 0.2L) to prevent kettle from operating dry. Do not fill above maximum line (MAX / 0.5L).

If the kettle automatically shuts off, switch the kettle off, disconnect from the power outlet and allow the kettle to cool down for 5 to 10 minutes. Then refill and switch on, the kettle will work as normal.



**CLEANING YOUR KETTLE**

**CLEANING YOUR KETTLE**

Unplug it.

Let it cool down and clean it with a damp sponge.

- Never immerse the kettle, its base, the cord or the electric plug in water: the electrical connections or the switch must not come into contact with water.
- Do not use scouring pads.

**DE-SCALING**

De-scale regularly, preferably at least once a month or more frequently if your water is very hard.

To de-scale your kettle using white vinegar:

- Fill the kettle with 16 ounces (1/2 L) of white vinegar.
- Leave standing for 1 hour without heating.

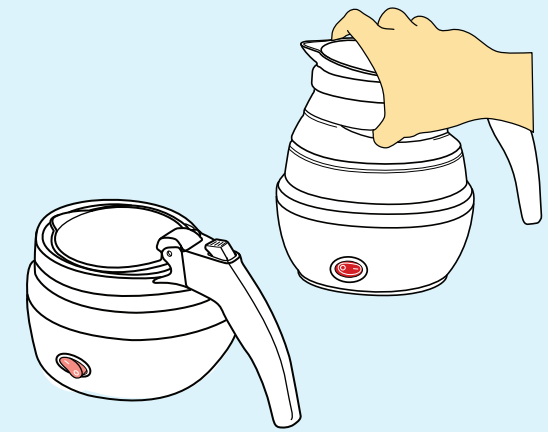
To de-scale your kettle using citric acid:

- Boil 16 ounces (1/2 L) of water.
- Add 1 ounce (25g) of citric acid and leave standing for 15 min.

**TO COLLAPSE THE KETTLE**

**Step 1:** Hold the kettle and pinch the top ring.

**Step 2:** Push down to collapse.



## TROUBLE SHOOTING

In the unlikely event that you experience a problem with your device, please take a couple of minutes to check these possible causes prior to contacting customer support.

### IF THERE IS NO EVIDENT DAMAGE TO YOUR KETTLE

The kettle does not work or stops before coming to the boil:

- Check that your kettle is properly connected.
- Check that the voltage is set to the correct voltage for your location.

The kettle has been switched on without water:

- Allow the kettle to cool and fill it with water.

An accumulation of scale has caused the automatic shut-off to activate:

- Descale the kettle. See instructions on page 9.

The water tastes like plastic:

- Generally, this happens when the kettle is new. Discard the water from the first few boilings.
- If the problem persists, fill the kettle to maximum and add two teaspoons of bicarbonate of soda. Bring to a boil and de-scale the water. Rinse out the kettle.

### IF YOUR KETTLE HAS BEEN DROPPED, IF IT LEAKS OR IF THERE IS VISIBLE DAMAGE TO THE POWER CORD, THE PLUG OR THE BASE OF THE KETTLE

- Do not attempt to dismantle the kettle in any way.
- Return your kettle to an authorized service center, only they are authorized to make repairs.
- See the guarantee conditions and list of centers in the booklet supplied with your kettle. The type and serial number are shown at the bottom of your kettle. This guarantee covers manufacturing defects. Any breakage resulting from failure to comply with the instructions for use voids the guarantee.
- Gourmia reserves the right to modify the characteristics or components of its kettles at any time in the interests of the consumer.
- If the supply cord is damaged, it must be replaced by the manufacturer or authorized service center.

## WARRANTY & SERVICE

This Limited Warranty is for one full year from the date of purchase. It is applicable to the original purchaser only and is not transferable to a third party user. Repair or replacement of defective parts is solely at the seller's discretion. In the event that repair isn't possible, the seller will replace the product/part. If product repair/replacement won't suffice, the seller has the option of refunding the cash value of the product or component returned.

Product defects not covered under the Warranty provisions include normal wear and damage incurred from use or accidental negligence, misuse of instruction specifications or repair by unauthorized parties. The manufacturing company is not liable for any incidental or consequential damages incurred by such circumstances.

For Customer Service or Questions, Please call 0333 22 05 031



www.gourmia.com

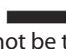
### DISPOSAL OF THE DEVICE PROTECTION OF THE ENVIRONMENT



At the end of the life of your product, it should go to a specially adapted waste-recycling center.

### ENVIRONMENT PROTECTION FIRST



1. The symbol  on the product or on its packaging indicates that this product may not be treated as household waste. Instead it should be handed over to the applicable. Collection point for the recycling of electrical and electronic equipment.
2. By ensuring this product is disposed of correctly, you will help prevent potential negative consequences for the environment and human health, which could otherwise be caused by inappropriate waste handling of this product. For more detailed information about the recycling of this product, Please contact your local council office or your household waste disposal service.



**Gourmia**<sup>®</sup>

[www.gourmia.com](http://www.gourmia.com)