



SEVILLE CLASSICS APPLIANCES 1 YEAR LIMITED WARRANTY

The warranty is extended by Seville Classics, Inc. to all original purchasers of Seville Classics Appliances.

Seville Classics, Inc. warrants that this product is free from defects in materials for a period of 1 year and free from defects in workmanship under normal use for a period of 1 year from the date of purchase. In the case of defective product, simply return the unit to Seville Classics, Inc. No agent, employee, or representative of Seville Classics, Inc. has any authority to affirm, represent or warrant anything concerning Seville Classics Appliances, except for the affirmation and representation, which is specifically included within this warranty.

This warranty will not apply if the product has been misused, abused, or altered. The warranty will apply only if the appliance is defective. Seville Classics, Inc. shall make the final decision, in fairness to all concerned, as to the legitimacy of any such claim on this warranty. **Upon discovery of any defective Seville Classics Appliance, please contact our Customer Service Department for further instructions as to how to repair or replace the defective unit.**

Seville Classics, Inc
19401 South Harbortgate Way, Torrance, CA 90501 – 1322 U.S.A.
(800) 323-5565 U.S.A. toll free (310) 533-3800 U.S.A.
(310) 533-3899 fax
e-mail: support@sevilleclassics.com
Website: www.sevilleclassics.com



ULTRASlimline™

4
SPEEDS

Tower Fan



Instruction Manual

Model: 10127 (with remote control)

Voltage: 120V AC

Frequency: 60 Hz

Current: 0.5 A

PLEASE READ AND SAVE THESE INSTRUCTIONS

© 2012 Seville Classics Inc.

Toll Free: 1-800-323-5565 or 1-310-533-3800

www.sevilleclassics.com

Important Safety Instructions

! READ & SAVE THESE INSTRUCTIONS

When using electrical appliances, basic precautions should always be followed to reduce the risk of fire, electric shock and injury.

1. Use this fan only as directed in this manual. Non-recommended use may cause fire, shock or injury.
2. This fan is intended for personal use INDOORS. It is NOT designed for commercial, industrial or outdoor use. DO NOT USE FAN OUTDOORS.
3. Do NOT place fan in or near a window, to avoid contact with the outdoor elements and to avoid exposure to direct sunlight. Rain may create an electrical hazard. Do NOT immerse fan, plug or cord in water or liquid. Do NOT spray with water or liquid.
4. Operate fan on a dry, level surface.
5. This appliance has a polarized plug (one blade is wider than the other). This plug is designed to reduce the risk of shock by only fitting into a polarized outlet one way. If the plug does not fully fit in an outlet, try reversing the plug. If it still does not fit, contact a qualified electrician. Do not attempt to OVERRIDE this safety feature.
6. A loose plug/outlet connection may cause overheating and distortion of the plug. Contact a qualified electrician to replace a loose or worn outlet.
7. Always turn the fan off and unplug it when transporting it to another location and before cleaning.
8. When disconnecting fan, turn it off, grip the plug firmly and pull it from the wall outlet. Never pull it out by the cord.
9. Do NOT operate the fan if the cord or plug is damaged, the unit is malfunctioning, has been dropped or is damaged in any way.
10. Do NOT operate your fan in the presence of flammable and/or explosive fumes.
11. Do NOT place the fan or any of its parts near an open flame, cooking appliance or heater.
12. Do NOT operate the fan if housing has been removed or damaged.
13. Avoid contact with fan's moving parts.
14. Close supervision is necessary when operating fan near children.
15. Do NOT mount fan on a wall or hang it from the ceiling.
16. Use of attachments of any kind is NOT recommended.
17. Suitable for use with solid-state speed controls.
18. This appliance is not intended for use by persons (including children) with reduced physical, sensory or mental capabilities, or lack of experience and knowledge, unless they have been given supervision or instruction concerning use of the appliance by a person responsible for their safety.

Important Safety Instructions

19. Do not operate any fan with a damaged cord or plug. Discard fan or return to an authorized service facility for examination and/or repair.
20. Do not run cord under carpeting. Do not cover cord with throw rugs runners, or similar coverings. Do not route cord under furniture or appliances. Arrange cord away from traffic.

Features a Fuse Safety Plug

This product employs overload protection (fuse). A blown fuse indicates an overload or short-circuit situation. If the fuse blows, unplug the product from the outlet. Replace the fuse as per the user serving instructions (follow product marking for proper fuse rating) and check the product. If the replacement fuse blows, a short-circuit may be present and the product should be discarded or returned to an authorized service facility for examination and/or repair.

User Servicing Instructions

- Always unplug this product before installing or replacing fuses.
- Grasp plug and remove from the receptacle or other outlet devise. Do not unplug by pulling on cord.
- Open fuse cover (**Fig.1**) by sliding open fuse access cover on top of the plug b using your thumb or a flathead screwdriver to slide the cover down towards the prongs.
- NOTE: Ensure that fuse cover is completely open before attempting to remove fuse.
- Remove fuse carefully by using a small screwdriver to pry the fuse out of the compartment by the metal ends of the fuse (**Fig.2**).
- Place plug on a solid flat surface. Insert new 5 Amp, 125 Volt fuse into fuse compartment and use a small screwdriver to secure the metal ends of the fuse into the compartment.
- Close fuse cover (**Fig.3**) by sliding closed the fuse access cover on top of the plug.

CAUTION: Risk of fire. Replace fuse only with 5 Amp, 125 Volt fuse.
"Risk of fire. Do not replace attachment plug. Contains a safety device (fuse, AFCI, LCDI) that should not be removed. Discard product if the attachment plug is damaged."

Fig.1

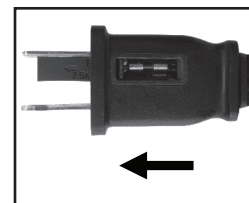


Fig.2

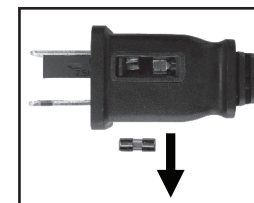
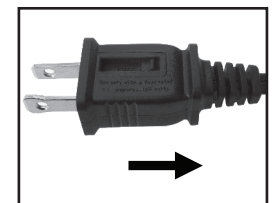
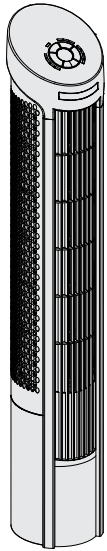


Fig.3

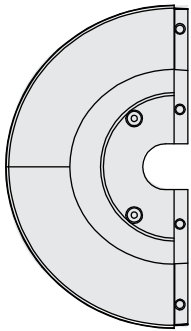


A



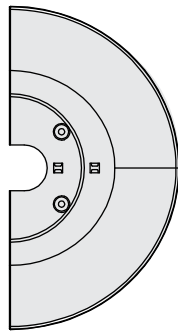
FAN-Body

B



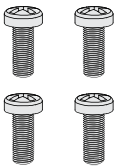
BASE-Front

C



BASE-Back

D



Fan-Body SCREWS
(Gold Screws)

E

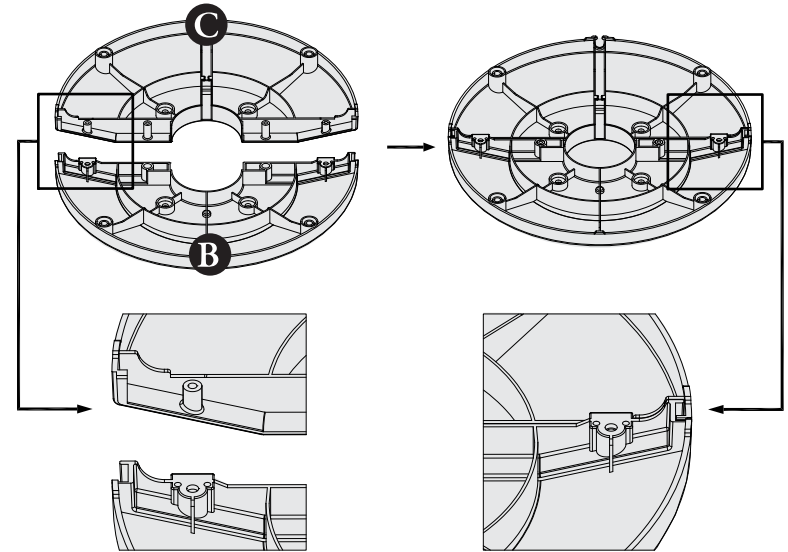


Remote Control

STEP 1

Turn the base upside down.

Firmly lock the BASE-front **B** onto the BASE-back **C** by aligning the four holes onto the four posts.

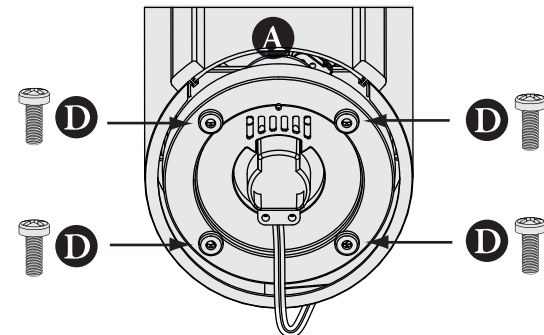


SUGGESTION:

When attaching the base to the bottom of the fan, place the FOAM PACKING block from the top of the box on the floor upside down. Then, place the top of the fan into the FOAM PACKING block to secure the top of the fan from moving while attaching the bottom base. This will give you a more secure platform for assembly and better protect the top of the fan.

STEP 2

Remove the 4 Fan-Body SCREWS **D** from the center post on the bottom of the FAN - body **A**.

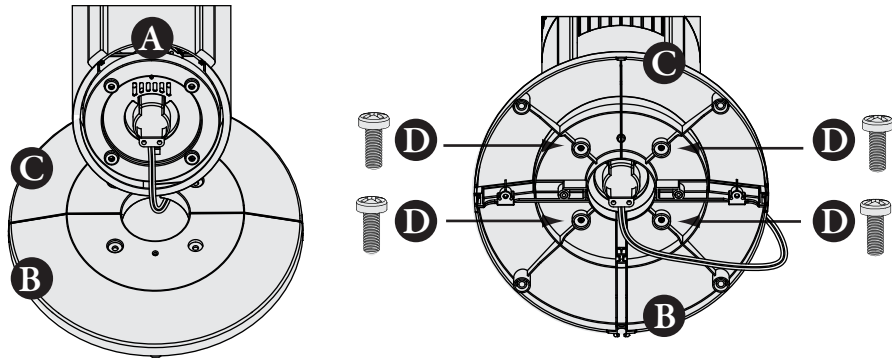


Fan Assembly

STEP 3

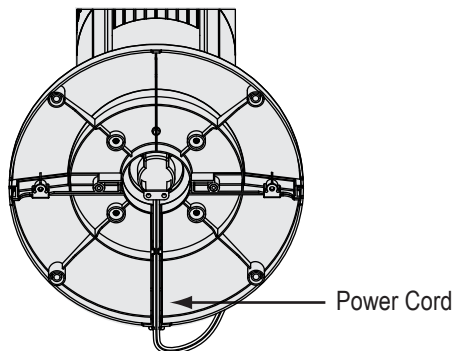
Pass the Power Cord through the center hole of the BASE.

Align the BASE front with the FAN front and insert the four posts on the FAN body into the four holes on the top of the BASE. It will only go one way. Place the 4 Fan-Body SCREWS **D** into the holes through the bottom of the base and securely tighten.



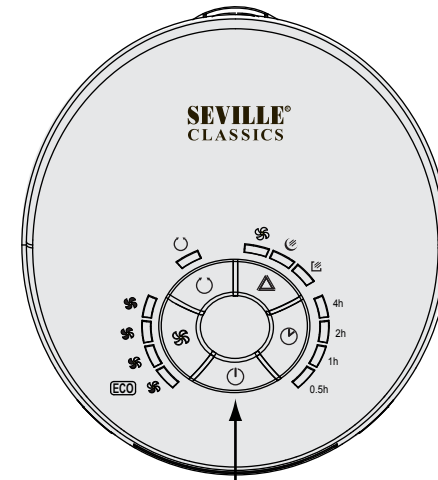
STEP 4

Run the power cord through the guide on the bottom of the BASE-back by tucking the cord under the tabs. Set fan upright on the base and it is ready for use.



See further instructions on use, care and safety.

Control Panel



ON/OFF: Turns fan ON & OFF



Speed Selection: Allows four different speed settings



*NOTE: In order for the **ECO** speed to run efficiently, this speed begins at low, and then automatically drops to **ECO**.*



Timing Selection: There are 15 settings, in 1/2 hour increments. Time increases with each push of the button. 1/2 hour, 1 hour, 1-1/2, 2 hours etc. to a maximum time setting of 7- 1/2 hours.

The LED Indicators on the control panel are marked 0.5h, 1h, 2h, 4h. (h for Hour) The total of the lit LEDs is the total time period.



Selection of Wind: Allows for three different wind modes:



Normal Wind:

The Normal Wind mode is simply the **ECO**, Low, Medium & High fan speed settings.



Sleeping Wind:

The Sleeping Wind allows you to set a speed and that speed will gradually lower to **ECO**. The air flows as an evening breeze slowing to a light night breeze.

ECO Sleeping Wind

The air flow remains at **ECO**.

Low Sleeping Wind

The air flow begins at low for a half an hour and then drops to **ECO**.

Medium Sleeping Wind

The air flow begins with medium speed for a half hour then drops to Low speed for a half an hour and finally drops to **ECO**.

High Sleeping Wind

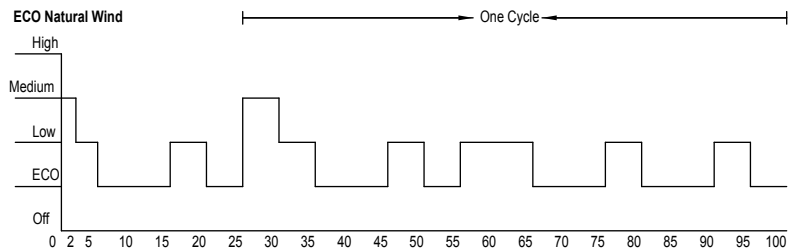
The air flow begins with High speed for a half hour then drops to Medium speed for a half hour, then to Low for a half an hour and finally drops to **ECO**.



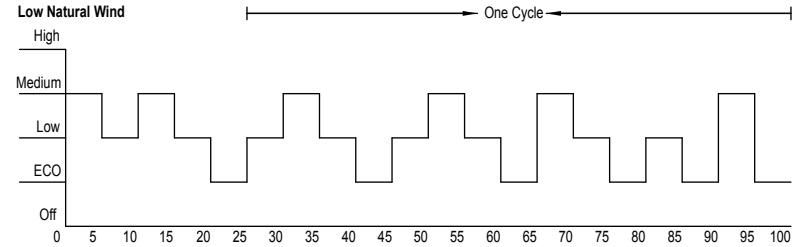
Natural Wind:

The Natural Wind mode automatically selects wind speed randomly as you would find outdoors. The speeds are graphically described below.

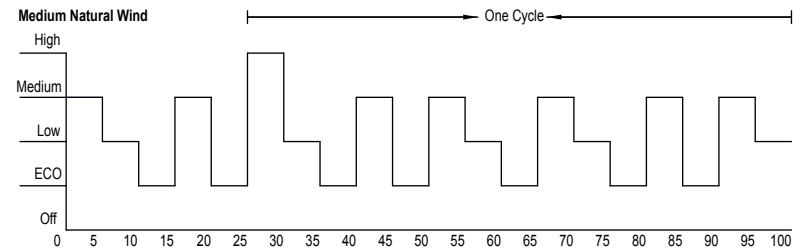
ECO Natural Wind - The wind settings will repeat the following 80 second wind cycle with **ECO** being the most common.



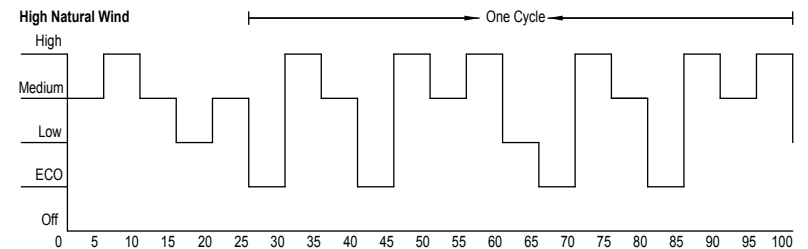
Low Natural Wind - The wind settings will repeat the following 80 second wind cycle with Low speed being the most common.



Medium Natural Wind - The wind settings will repeat the following 80 second wind cycle with Medium speed being the most common.



High Natural Wind - The wind settings will repeat the following 80 second wind cycle with High speed being the most common.



Oscillating Selection:

This function starts & stops the oscillation of the fan.

Controlling the Oscillation Angle: To change the wind direction, place both hands on the fan and turn the fan body to the left or right. There are 5 positions to choose from to change the oscillation angle. To have the fan fully oscillate left and right, have the fan in the third or center position.

ULTRASlimline™ Remote Control for Tower Fan

To use your remote, point the top end directly at the front of the fan aiming at the little window just below the control panel on the top of the fan.



Power Button - Turns fan **ON & OFF**



Speed Mode - Changes wind speed from Low **[LOW]** to Medium **[MED]** to High to **[HI]** ECO **[ECO]**.



Wind Mode - Changes the wind mode from Normal Wind to Natural Wind to Sleeping Wind.

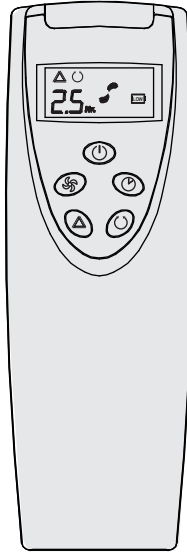
Normal Wind is indicated by **no** icon appearing in the upper left hand corner of the display.



Natural Wind is indicated by a **blinking** triangle icon appearing in the upper left hand corner of the display.



Sleeping Wind is indicated by a **solid** triangle icon appearing in the upper left hand corner of the remote.



Timer - Changes the time the fan is on from 0.5 hr up to a maximum of 7.5 hr, in 0.5 hr increments.



Oscillation - Turns the fan oscillation **ON** or **OFF**

Note

This equipment has been tested and found to comply with the limits for Class B digital device, pursuant to part 15 of the FCC Rules. These limits are designed to provide reasonable protection against harmful interference in a residential installation. This equipment generates, uses, and can radiate radio frequency energy, and if not installed and used in accordance with the instructions, may caused harmful interference to radio or television reception, which can be determined by turning the equipment off and on. The user is encouraged to try to correct the interference by one or more of the following measures:

- Reorient or relocate the receiving antenna.
- Increase the separation between the equipment and the receiver.
- Connect the equipment into an outlet on a circuit different from that to which the receiver is connected.
- Consult the dealer or experienced radio/TV technician for help.

9 WARNING: Changes or modifications to this unit not expressly approved by the party responsible for compliance could void the user authority to operate the equipment.

Batteries

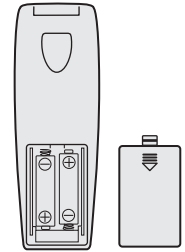
*The remote control operates on 2 AAA batteries.

*DO NOT MIX OLD AND NEW BATTERIES

*DO NOT MIX ALKALINE, STANDARD (CARBON-ZINC) OR RECHARGEABLE (NICKEL-CADMIUM) BATTERIES.

*It is recommended that the batteries be removed should the remote not be in use for an extended time.

*Install the two "AAA" batteries as shown on drawing.



Back of Remote

Storage & Cleaning Instructions

- 1) To clean your fan, first turn it OFF & UNPLUG it.
- 2) Use a soft cloth to wipe the housing. DO NOT use water, gasoline, polish, or any chemical solution. Do NOT soak or immerse fan in water or liquid.
- 3) You can use a vacuum cleaner (narrow hose attachment or with the brush attachment) to clean all intake and exhaust vents. This will remove dirt and lint that may accumulate over time. DO NOT ATTEMPT TO TAKE FAN APART.
- 4) For a Super Clean, we suggest you take fan outdoors and use a "can of compressed air"
- 5) Store in a dry place away from excessive heat and direct sunlight.

Customer Service

Should you have any questions, comments or suggestions please contact us at:

Seville Classics Inc. / support@sevilleclassics.com

Tel: (800) 323-5565 or (310) 533-3800 / Hours: 9:00 AM - 4:30 PM Pacific Time / Monday to Friday

To register your ULTRASlimline™ Tower Fan and to become eligible for special promotions or to be informed of new product offerings, simply visit: www.sevilleclassics.com/fan
For ULTRASlimline™ Tower Fan Parts & Accessories, please visit: www.sevilleclassics.com

PROOF OF PURCHASE

Please fill out the information below and forward this form and a copy of your original receipt with your defective appliance and/or parts (per the specific direction of the Customer Service representative) to the address listed below:

Seville Classics, Inc
19401 South Harborgate Way
Torrance, CA 90501 – 1322
U.S.A.

Name: _____ (First) _____ (Last)

Address: _____

City: _____ State: _____ Zip: _____

Phone Number: _____ E-mail: _____

Place of Purchase: _____ Date: _____

front

back

ULTRASlimline™

TOWER FAN QUICK START

SEVILLE
CLASSICS

Control Panel



ON/OFF: Turns fan ON & OFF



Speed Selection: Allows four different speed settings

ECO Low Medium High



Timing Selection: Time increases with each push of the button. The total of the lit LEDs is the total time period.



Selection of Wind: Allows for three different wind modes



Normal Wind:

The Normal Wind mode is simply the ECO, Low, Medium & High fan speed settings.



Sleeping Wind:

The Sleeping Wind allows you to set a speed and that speed will gradually lower to ECO.

ECO Sleeping Wind

The air flow remains at ECO.

Low Sleeping Wind

The air flow begins at Low for a half an hour and then drops to ECO.

Medium Sleeping Wind

The air flow begins with Medium speed for a half hour then drops to Low speed for a half an hour and finally drops to ECO.

High Sleeping Wind

The air flow begins with High speed for a half hour then drops to Medium speed for a half hour, then to Low for a half an hour and finally drops to ECO.



Natural Wind:

The Natural Wind mode automatically selects wind speed randomly as you would find outdoors. See Chart



Oscillating Selection: This function starts & stops the oscillation of the fan.

Controlling the Oscillation Angle: To change the wind direction, place both hands on the fan and turn the fan body to the left or right.

Remote Control for Tower Fan

Functions:



Power Button - Turns fan ON & OFF



Speed Mode - Changes wind speed from Low [LOW] to Medium [MED] to High [HI] to ECO [ECO].



Wind Mode - Changes the wind mode from Normal Wind to Natural Wind to Sleeping Wind.

Normal Wind is indicated by *no* icon appearing in the upper left hand corner of the display.



Natural Wind is indicated by a *blinking* triangle icon appearing in the upper left hand corner of the display.



Sleeping Wind is indicated by a *solid* triangle icon appearing in the upper left hand corner of the remote.



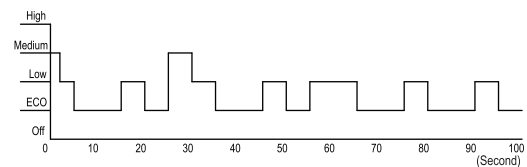
Timer - Changes the time the fan is on from 0.5 h (hour) up to a maximum of 7.5 h, in 0.5 h increments.



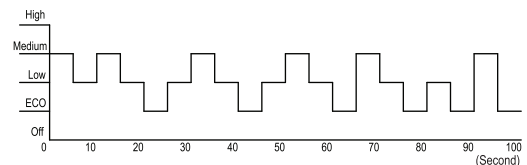
Oscillation - Turns the fan oscillation ON or OFF

Natural Wind Modes

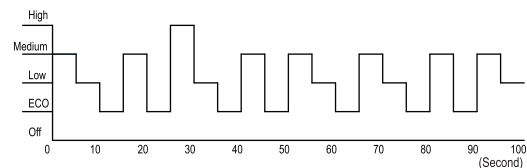
ECO Natural Wind



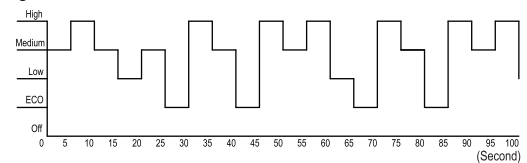
Low Natural Wind



Medium Natural Wind



High Natural Wind



Customer Service: Seville Classics, Inc.

Tel: 800-323-5565 or 310-533-3800

Web: www.sevilleclassics.com E-mail: support@sevilleclassics.com