

DEHUMIDIFIER OWNER'S MANUAL



FOREWORD

This Owner's Manual is the universal-purpose version for the models of dehumidifier manufactured by our Co. The appearance of the units that you purchase might be slightly different from the ones described in the Manual, but it does not affect your proper operations and usage.

Please read carefully the sections corresponding to the specific model you choose, and keep the Manual properly so as to facilitate your reference at later time.

IMPORTANT INSTRUCTIONS

Before installing and using your dehumidifier, please read this owner's manual carefully. Store this manual in a safe place for future reference.

- 1 Always place the unit on a level surface.
- 2 Never use or store gasoline or other flammable vapor or liquid near this unit unless instructed by this manual.
- 3 Maintain a 18 inch clearance space around this unit. Do not block or cover air inlet or outlet grilles.
- 4 The unit must be connected to a correctly grounded power supply.
- 5 Do not start or stop the unit by inserting or pulling out the power plug.
- 6 Do not use an adapter plug or extension cord.
- 7 Do not use the unit in the immediate surroundings of a bath, a shower or a swimming pool.
- 8 Do not insert anything into the air outlet. Do not obstruct air inlet or outlet grilles unless instructed by this manual.
- 9 Do not let children play near this unit.
- 10 Always inspect the cord for signs of damage before use. If the power cord is damaged, it must be replaced by the manufacturer or a qualified service technician.
- 11 When cleaning the unit, always turn the unit off and unplug the power cord.

Contents

Dehumidifier information	1
Product features	2
Caster installation	3
Control panel	4
Operating instructions	5
Maintenance	10
Troubleshooting	11

DEHUMIDIFIER INFORMATION

RECOMMENDED HUMIDITY LEVELS

Spring/Summer: 35% - 50%

Fall/Winter: 35% - 40%

WARM AIR EXHAUST IS NORMAL

During operation your dehumidifier will exhaust warm air from the side of the unit. This is normal operation.

EMPTYING THE BUCKET

The more moisture your dehumidifier removes from the air, the more often you may have to empty the bucket (unless you are using the continuous drainage option). The number of times the bucket will be emptied depends on the dehumidifier model.

LESS MOISTURE BEING REMOVED OVER TIME IS A GOOD THING!

Using a dehumidifier will cause your area to maintain a more comfortable humidity level. Over time, this humidity level will become more and more stable. Due to the stable humidity level in the area, the dehumidifier will need to remove less and less moisture over time.

Please do not be concerned if the dehumidifier is removing less moisture from the air or the bucket is taking longer to fill up. This is a direct result of your dehumidifier creating a more stable humidity level in your area.











WATER IN THE BUCKET!

There might be a small amount of water present in the bucket before using the dehumidifier for the first time, which is normal. This is caused by the preliminary testing done by the factory.

PACKAGE CONTENTS

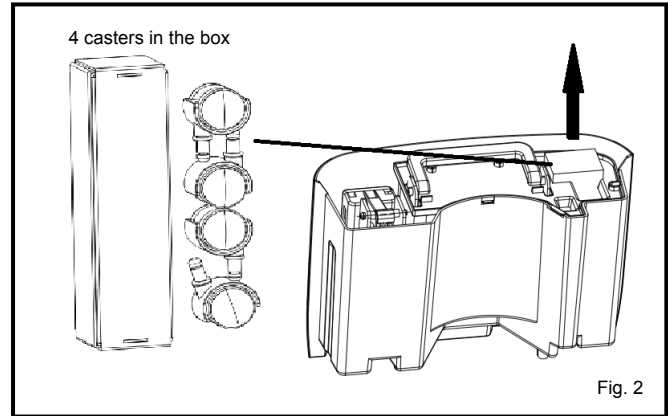
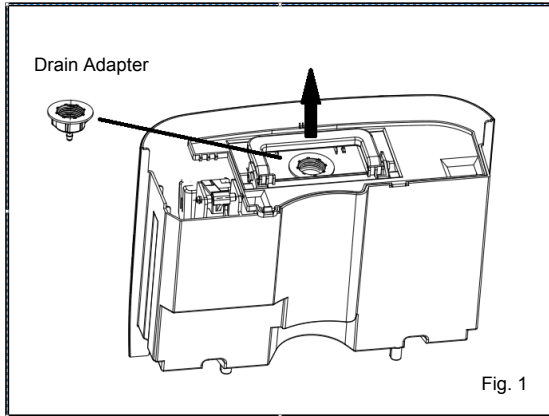
- (1) Portable Dehumidifier
- (1) Dehumidifier Owner's Manual
- (4) Casters (only 30/45 pints)
- (1) Pump Drain Hose Kit (Hose, Adapter and Gasket)
 - only pump mode for 70 pints and 95/110 pints

PRODUCT FEATURES

	<p>Removes up to 30/45/70/95/110 pints (depending on model) of moisture from the air every 24 hours depending on the unit you have. This is not the bucket size.</p>
	<p>Adjustable humidistat for precise humidity control.</p>
	<p>Digital humidistat displays set humidity level and current room humidity level.</p>
	<p>Operates at temperatures down to 41°F. Perfect for basement use in the winter.</p>
	<p>Automatic defrost function melts away ice from frozen coils for continuous, worry-free operation.</p>
	<p>3-Speed fan allows you to choose between maximum dehumidifying power or quiet operation.</p>
	<p>Bucket full indicator and audible alarm signals as soon as the bucket is full and ready to be emptied.</p>
	<p>Ultra quiet operation allows for use almost anywhere. Perfect for heavy traffic areas like a family room or bedroom.</p>
	<p>Loss of power protection remembers all settings even when power is interrupted.</p>
	<p>Auto-restart automatically continues operation when power is restored. No need to manually restart the dehumidifier.</p>
	<p>24-Hour Timer automatically turns on and off the unit after the preset time of 0.5 up to 24 hours.</p>
	<p>MyHome modes allow you to choose the location in which you are using your dehumidifier (Sleeping Space, Living Space or Basement) for preset comfort and balanced operation.</p>
	<p>Internal Pump lets you run the unit in continuous mode and never empty the bucket. Use near a drain, sink or window for continuous operation.</p>

CASTER INSTALLATION

1 For the 70 Pint (Only Pump Mode) and 95/110 Pint: The water mouth cover can be taken out from the middle of the bucket directly. (Fig. 1)

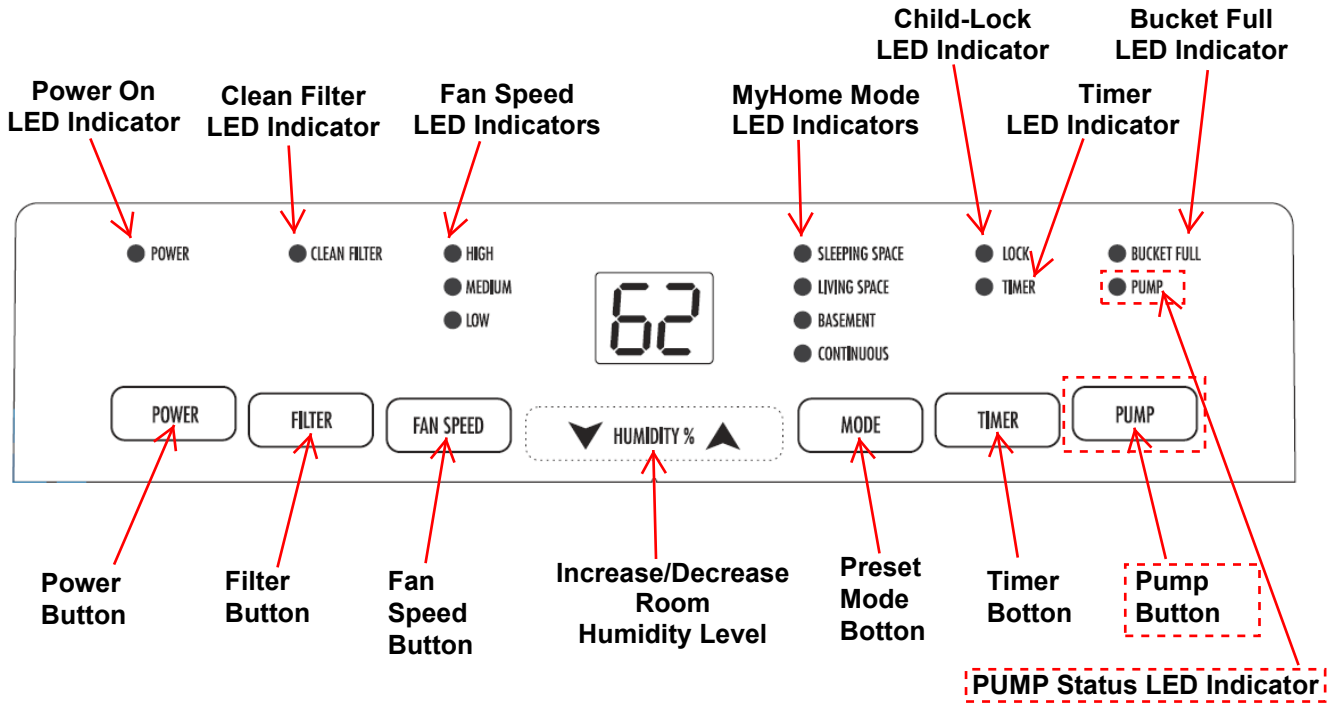


2 For the 30 Pint and 45 Pint, please check if the casters are under the lid of the bucket. If so, please remove lid to access casters, then replaced the lid before operation. (Fig. 2) Tilt the dehumidifier no more than 45° and forcibly insert the casters. Make sure the ring around the caster is flush against the bottom of the dehumidifier.

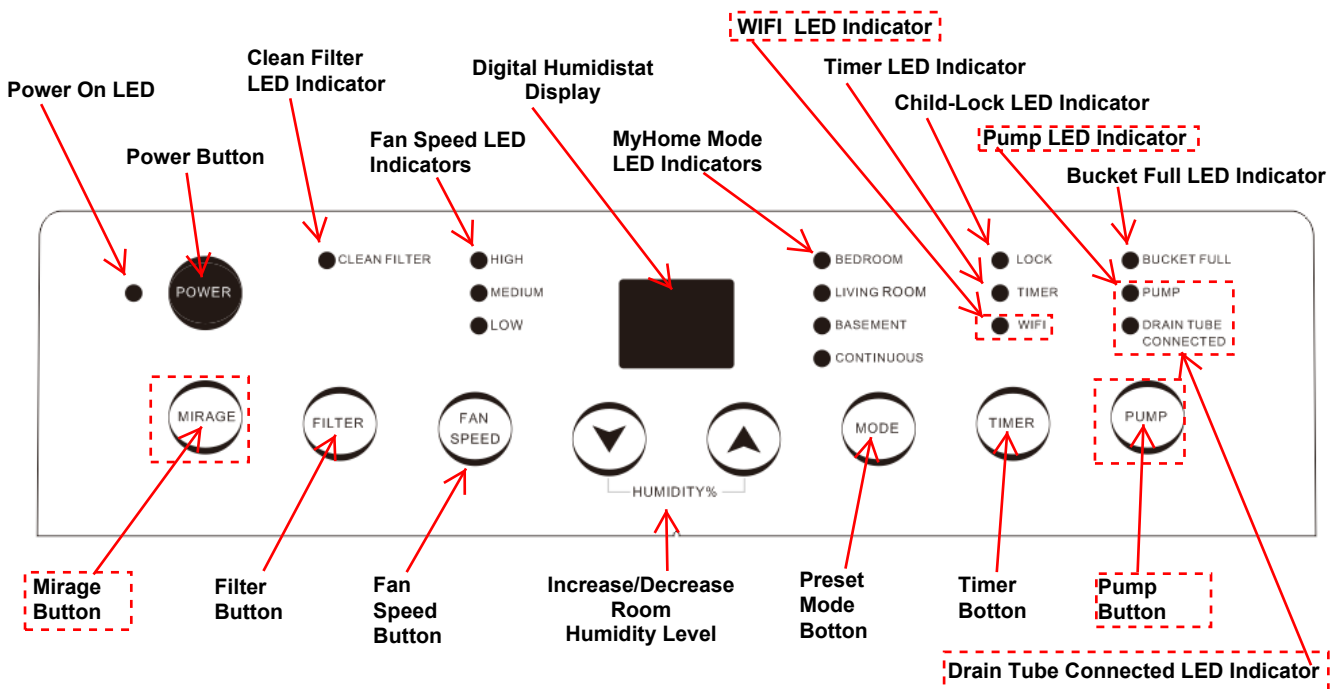
CONTROL PANEL

CAUTION: Features and appearance will vary , all the figures provide a demonstration to introduce the funtion. Among them, the dotted line is for the selection function, not every machine

Control panel for 12 type



Control panel for 13 / 14 type



OPERATING INSTRUCTIONS

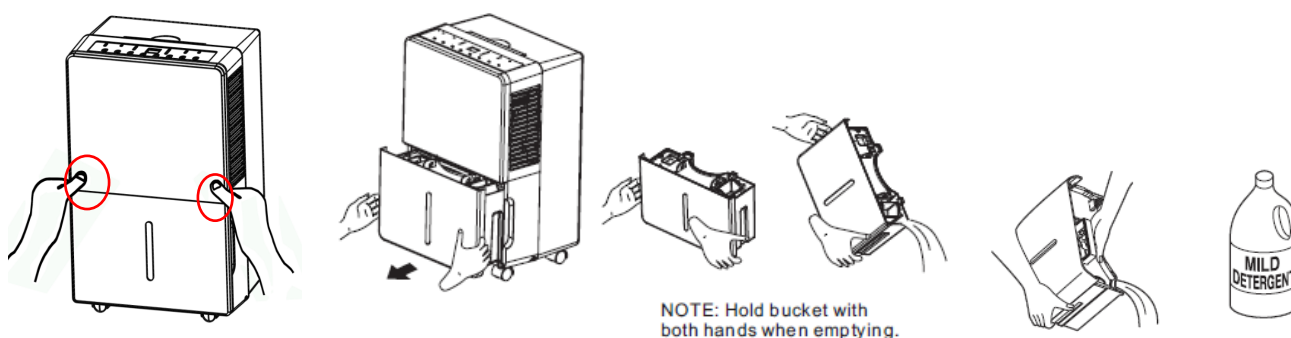
CONTROL PANEL OPERATING INSTRUCTIONS

- 1 When first operating the dehumidifier, run it in Continuous mode for 24 hours.
- 2 **Power On and Off** - Press the **POWER** button once to manually turn the unit on. Press the **POWER** button once more to turn the unit off.
- 3 **Humidity Selection** - Press the Δ or ∇ buttons to choose the desired relative humidity in the room. Each press of the button will change the desired room humidity by 5%. The room humidity is selectable from 35%-80% or continuous. The unit will cycle on and off to maintain the humidity level chosen on the digital display. If you want the dehumidifier to operate continuously regardless of the room humidity, press the **MODE** button until you see “**CO**” on the digital display. This will enable **continuous operation** and the “**Continuous**” indicator will light up on the control panel.
- 4 **Fan Speed Control** - Press the **FAN SPEED** Button to cycle through the different fan speeds: **High, Medium, and Low**. The fan speed can be visually distinguished by the fan speed indicators on the control panel. For fast dehumidification, choose High. For moderate dehumidification, choose Medium. For quiet operation, choose Low.
- 5 **Timer Auto On**- To program the unit to automatically turn on, press the **TIMER** button when the unit is off. Press Δ or ∇ to increase or decrease the timer in 30 min increments (0.5 hours) up to 10 hours. After 10 hours, each press of the button will increase the timer in 1 hour increments up to 24 hours. Once the desired time is reached, the unit will automatically turn on.
Timer Auto Shut-Off- To program the unit to automatically turn off, press the **TIMER** button when the unit is on. Each press of the Δ or ∇ buttons will change the timer setting in 30 min increments (0.5 hours) up to 10 hours. After 10 hours, each press of the Δ or ∇ buttons will increase or decrease the timer in 1 hour increments up to 24 hours. Once the desired time is over, the unit will automatically power off.
- 6 **MyHome Modes** - Preset humidity level settings allow the user to easily move the dehumidifier room-to- room and select the corresponding mode for the location in which the dehumidifier is operating for optimum performance. Press the **MODE** button to choose from Sleeping Space, Living Space or Basement.
- 7 **Child-Lock Mode**- To lock the control panel, press and hold the **TIMER** button for 3 seconds. Locking the control panel prevents someone from accidentally changing the settings. When locked, the **LOCK Indicator** will light up. Press and hold the **TIMER** button for 3 seconds to unlock the control panel.

NOTE: Fan will continue to run even when the compressor is off. This is normal and allows the unit to circulate air and operate more efficiently

OPERATING INSTRUCTIONS

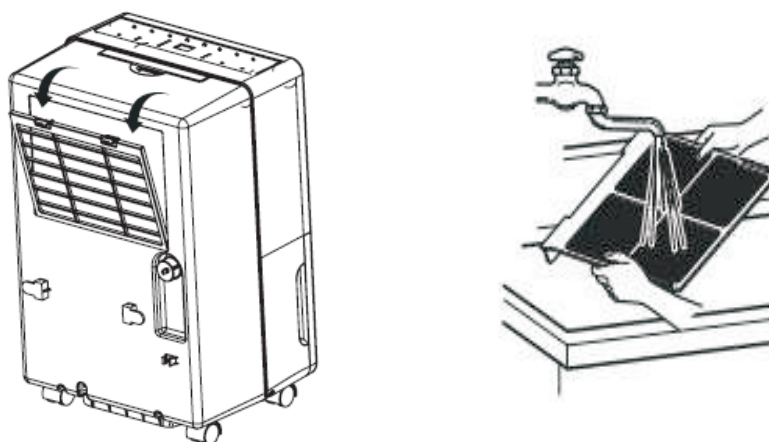
- 8 **Bucket Full** - When the water bucket is full of water, the unit will automatically shut off, make a beeping noise, and the Bucket Full Indicator will light up. The dehumidifier will not function until the water bucket is emptied and placed back inside the unit. The bucket should be cleaned every few weeks to prevent the growth of mold, mildew and bacteria. Use a mild detergent to clean the bucket. Once clean, completely dry the bucket and place it back inside the dehumidifier.



NOTES: When the bucket is full or removed from the machine, the compressor will turn off, but the fan will continue to run for a few minutes. This is completely normal. Do not remove the water tank whilst the unit is still working or just stopping. This might cause some water to drip on the unit. The dehumidifier will not be removing moisture from the air at this time. When removing moisture from the air, the dehumidifier will exhaust warm air from the side exhaust vent. Do not place a full bucket on the floor, because the bottom is uneven.

- 9 **Clean Filter** - When the filter needs to be cleaned, the filter indicator will light up (after 250 hours of use). Remove the filter from the back of the unit by using your thumbs to press down on the filter tabs directly above the filter. Clean the filter with warm, soapy water. Dry thoroughly before replacing the filter. Once the filter is completely dry, place the filter back in the unit and press the FILTER button to reset the filter indicator.

CAUTION: DO NOT OPERATE THE DEHUMIDIFIER WITHOUT THE INCLUDED FILTER

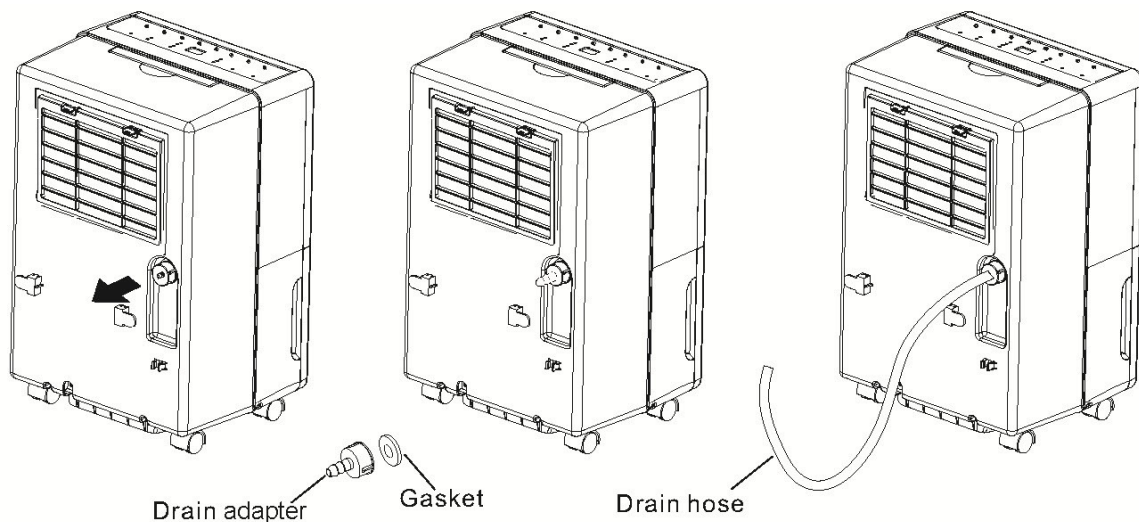


NOTE: Do not clean filter in dishwasher

OPERATING INSTRUCTIONS

- 10 **Internal Pump Mode-** The internal pump allows the unit to operate without having to empty the bucket. To install the Pump Drain Hose Kit, remove the drain cap on the back of the unit. Insert the included Gasket into the Drain Adapter, then force the Drain Hose onto the Drain Adapter and turn clockwise onto the garden hose nozzle on the back of the unit as pictured below. (Drain adapter is included in storage compartment on top of water bucket.) Once securely installed, lead the Drain Hose to a nearby drain, sink or out of a window up to 16' in height from the base of the unit. Turn on the unit and press the PUMP button to activate the internal pump.

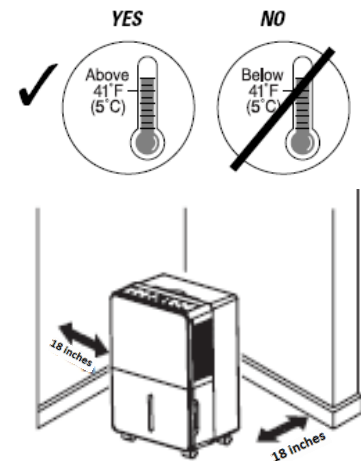
CAUTION: PUMP MODE WILL ONLY OPERATE WITH A DRAIN HOSE AND DRAIN ADAPTER; DO NOT USE A GARDEN HOSE IN PUMP MODE



NOTE: Pump mode will be on needs to meet three conditions in order :1、 Make sure that the included plastic drain tube and nozzle adapter are tightly installed; 2、 Starting pump function (If the nozzle adapter is loose, the pump function cannot be started); 3、 Wait a moment for water full of the Pump tank.

CHOOSING A LOCATION

A Dehumidifier operating in a basement will have little or no effect in drying out an adjacent enclosed storage area, such as a closet, unless there is adequate circulation of air in and out of the area.



- Do not use outdoors.
- This dehumidifier is intended for indoor use only. Place the dehumidifier on a smooth, level floor surface that is strong enough to support the unit with a full bucket of water.
- Allow at least 18" of air flow on all sides.
- When the ambient temperature is either below 5°C or above 32°C, don't operate the machine.
- Use the dehumidifier in cooking, laundry, bathing and dishwashing areas that have excessive moisture. NOTE: Place the dehumidifier away from a clothes dryer.
- Use the dehumidifier to prevent moisture damage anywhere books or valuables are stored.
- Use the dehumidifier in a basement to help prevent moisture damage.
- The dehumidifier must be operated in an enclosed area to be most effective.
- Close all doors, windows and other outside openings to the room.

AUTOMATIC DEFROST

When frost builds up on the evaporator coils, the compressor will cycle off and the fan will continue to run until the frost disappears. When the coils are completely defrosted, the compressor or fan (depending on the model) will automatically restart and dehumidification will resume.

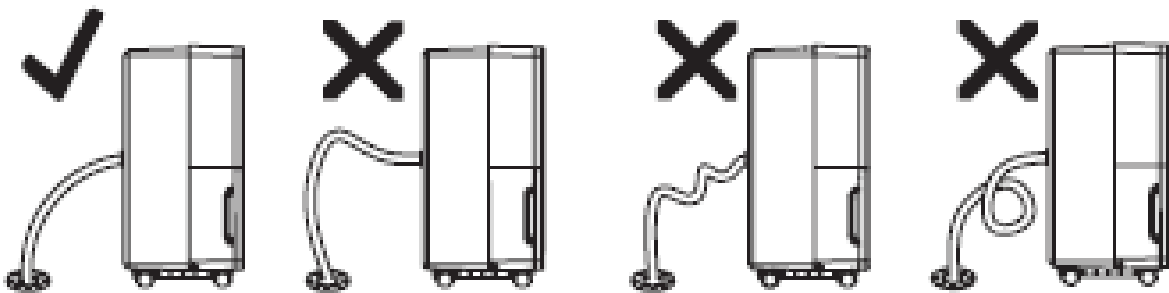
CONTINUOUS DRAINAGE

Garden Hose Installation Setup

Water can be automatically emptied by attaching a hose to the continuous drainage port on the back of the dehumidifier. This will allow the unit to run continuously (depending on the selected humidity level) without having to empty the water bucket. To drain, simply attach a standard garden hose (not included). The thread standard for garden hoses and its territories is known as GHT or "garden hose thread" which has an outer diameter of 1 1/16 inches (1.0625 inches or 27.0 mm) and a pitch of 11.5 TPI.

- Place dehumidifier on a level surface.
- Unscrew the cap on the back of the unit to access the garden hose nozzle
- Thread a garden hose (not supplied) onto the accessible nozzle, lead to a floor drain and cut to length. Make sure that there are no kinks or knots in the garden hose. (See Picture Below)
- Turn on the unit and press the MODE button until set to CONTINUOUS.

Garden Hose Installation Reference Guide



IMPORTANT NOTES:

Placing the dehumidifier on an uneven surface or improper hose installation may result in water filling up the bucket and cause the unit to shut off. Empty bucket if shut-off occurs, then check dehumidifier location and hose for proper setup. The bucket must be in place and securely seated for the dehumidifier to operate.

MAINTENANCE

Note: Make sure power is off and the power cord is not plugged into an electrical outlet prior to performing any maintenance on the unit.

Clean or Replace Filter

Refer to Page 6 Operating Instructions Clean Filter section.

Clean the Unit Housing

- 1 Keep the unit from being exposed directly to the sun to prevent color fading.
- 2 Clean the surface with a damp cloth and dry it with a soft towel.

End of Season Storage / Transporting the Unit

- 1 Clean or replace filter - Refer to Page 6 Operating Instructions Clean Filter section.
- 2 Unplug the unit and secure the power cord to the back of the unit
- 3 Remove bucket and empty all water
- 4 The unit should be stored in a cool dry place.

TROUBLESHOOTING

Problem	Possible Causes	Solutions
Dehumidifier does not start	The dehumidifier is unplugged.	Make sure the dehumidifier's plug is pushed completely into the outlet.
	The fuse is blown / circuit breaker is tripped.	Check the house fuse / circuit breaker box and replace fuse or reset breaker.
	Dehumidifier has reached its present level or the bucket is full.	The dehumidifier automatically turns off when either condition occurs. Change to a lower setting or empty the water bucket and replace properly.
	Bucket is not in the proper position.	The bucket must be in place and securely seated for the dehumidifier to operate.
	Power Failure.	There is a protective time delay (up to 3 min.) to prevent tripping of the compressor overload. For this reason, the unit may not start normal dehumidification for 3 min. after it is powered back on.
Dehumidifier does not dry the air as it should	Not enough time allowed for unit to remove moisture.	When first installed, allow at least 24 hours to maintain the desired dryness.
	Airflow is restricted.	Make sure there are no curtains, blinds, or furniture blocking the front or back of the dehumidifier. See the CHOOSING A LOCATION section on Page 8 .
	Dirty filter.	See the CLEAN FILTER section on Page 6 .
	The Humidity Control may not be set low enough.	For drier air, press the ▽ button to lower the percent humidity desired in the room, or set the dehumidifier to CO for maximum dehumidification.
	Doors and windows may not be closed tightly.	Check that all doors, windows, and other openings are securely closed.
	Clothes dryer may be blowing moist air into the room.	Install the dehumidifier away from the dryer. The dryer should be vented outside.
	Room temperature is too low.	Moisture removal is best at higher room temperatures. Lower room temperatures will reduce the moisture removal rate. This model is designed to operate at temperatures above 41°F.
Dehumidifier runs too much	The area to be dehumidified is too large.	The capacity of your dehumidifier may not be adequate for the room size.
	Doors and windows are open.	Close all doors and windows to the outside.
Frost appears on the coils	The dehumidifier has recently been turned on or the room temperature is below 41°F.	This is normal. Frost will usually disappear within 60 minutes.
Controls cannot be set	The compressor will turn off and the fan will automatically continue to run for approximately 3 minutes at a fixed setting.	This is normal. Wait approximately 3 minutes and set the fan speed at the desired level.
Fan Noise	Air is moving through the unit.	This is normal.

TROUBLESHOOTING

Problem	Possible Causes	Solutions
Water on the floor	Hose connection may be loose.	Check the hose connection. See the CONTINUOUS MODE-GARDEN HOSE INSTALLATION AND SET UP Section on Page 8 .
	Hose is attached but not draining into a drain	Disconnect the hose if using the bucket or place the hose near a drain.
	End of Season drain plug is loose	Check inside the bucket cavity on the unit and be sure that the rubber drain plug is completely inserted.
Unit will not turn on	The fuse is blown / circuit breaker is tripped.	Check the house fuse / circuit breaker box and replace fuse or reset breaker.
Unit is on but fan is not running	Dehumidifier has reached its present level or the bucket is full.	The dehumidifier automatically turns off when either condition occurs. Change to a lower setting or empty the water bucket and replace properly.
	Bucket is not in the proper position.	The bucket must be in place and securely seated for the dehumidifier to operate.
	Power Failure.	There is a protective time delay (up to 3 min.) to prevent tripping of the compressor overload. For this reason, the unit may not start normal dehumidification for 3 min. after it is powered back on.
Pump Mode is on, but water is draining in bucket	Incorrect drain hose is installed	Make sure that the included plastic drain tube and nozzle adapter are tightly installed.
Continuous Mode is on, but water is draining in bucket	Incorrect drain hose is installed	Garden hose must be used while operating Continuous Mode.
	Dehumidifier on uneven surface	Make sure that the unit is placed on a flat, level surface.