

Premium Toilet Seat—Installation Instructions

Models: BR606 (elongated)
BR620 (round)

Tools Required:
Phillips Head Screwdriver



Congratulations on buying one of the best seats available!
BEFORE YOU START, please review these important features:

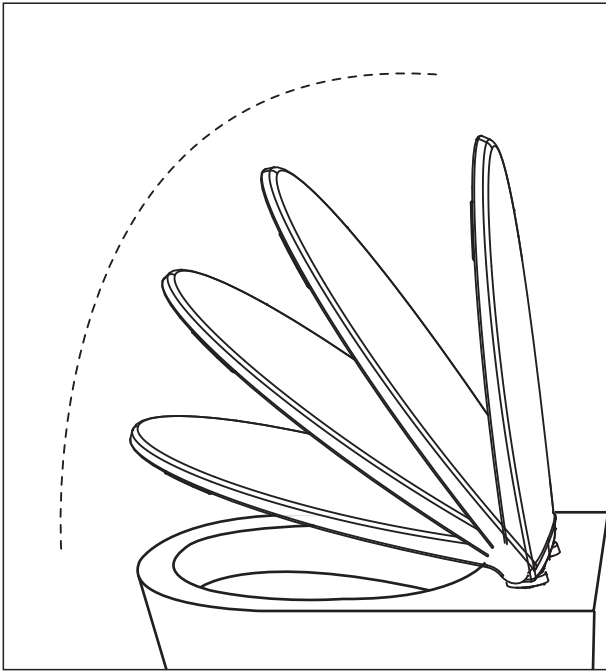
Plastic vs Wood

Many people have molded wood seats and think plastic is bad. But for harsh environments, such as bathrooms, high-quality polypropylene (plastic) is much better for several reasons. Polypropylene is non-porous and will not absorb moisture or germs. In addition to being more sanitary, polypropylene is chemical and stain resistant, extremely durable and longer-lasting than painted wood. This is why polypropylene is always specified in public restrooms.

Bath Royale toilet seats are made of 100% virgin (not recycled) polypropylene which is softer, yet stronger than recycled polypropylene and painted wood. With proper care (avoid abrasives) it's beautiful high-gloss finish will last for years. (See Care & Cleaning Instructions on last page)

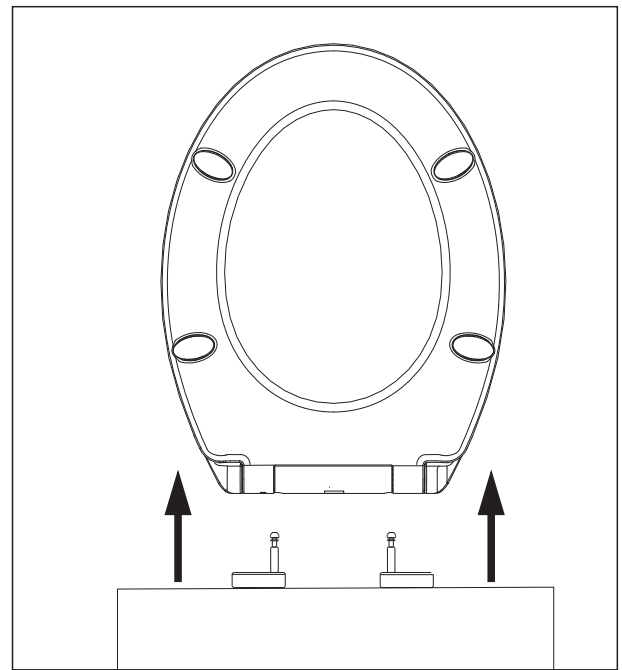
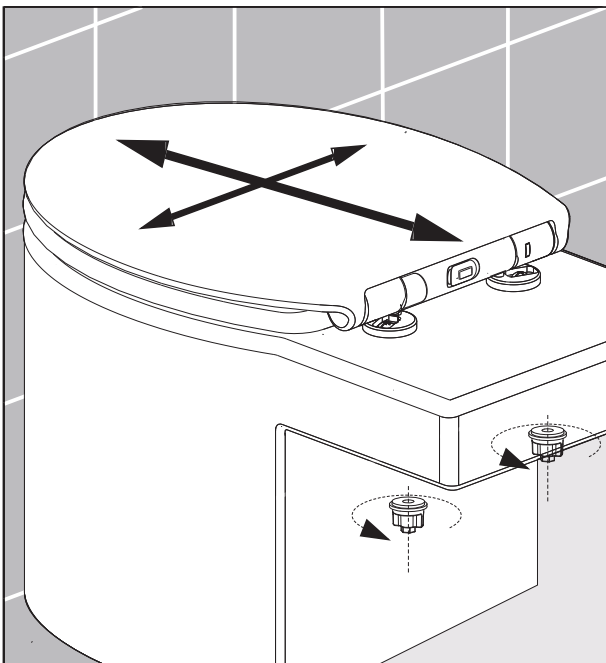
- **Extremely Durable** - Bath Royale seats are a solid color throughout and will not chip, peel or fade.
- **Softer and "Feels" Warmer** - Polypropylene is softer and more comfortable than stiff, molded wood. Polypropylene "feels" warmer to touch because it is a thermal insulator (like plastic coating on wire) which does not conduct heat.
- **Stronger** - Bath Royale seats are designed and tested to hold 400 pounds on the closed lid and the seat itself. With the cover (lid) open, a "sway" test presses one side of the seat, then the other, back and forth 26,000 times with 350 pounds. The seat and cover will flex, but not crack, break or permanently deform.

Features (cont.):



Slow Close: Simply tap the seat (or cover) forward and it will close quietly and softly by itself. NOTE: Slow Close does not work until seat is installed on the toilet.

One-Touch Lift & Clean: Makes thorough cleaning fast and easy. Eliminates hidden areas that collect waste and odor-causing germs.

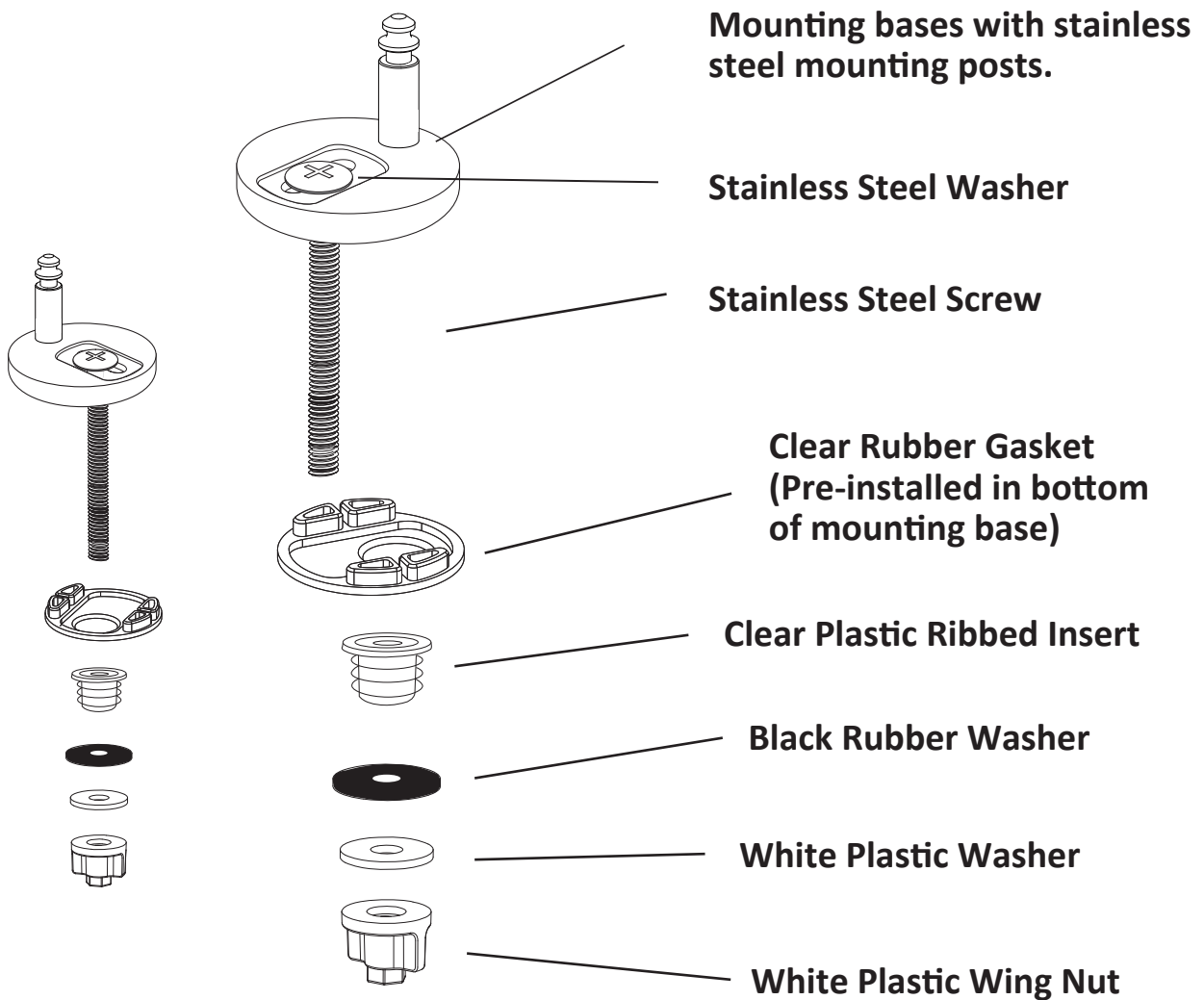


"Perfect Fit" and Stays Secure: Unlike other seats, your Bath Royale® seat is adjustable (front-to-back and side-to-side). The mounting hardware will hold your seat firmly in place.

Mounting Hardware—Parts List

IMPORTANT: Be sure to use all parts.

Missing Parts? Please do not return your seat. Call (704) 589-1009 or email info@bathroyale.com and we will Immediately send parts at no charge.



NOTE: Some 1-piece toilets or toilet bowls with "skirted" or flat sides (aka concealed trap way) require "top-mount" hardware. Top-mount hardware is sold separately at Amazon.com (search "B0759WR3F9") or at www.bathroyale.com.

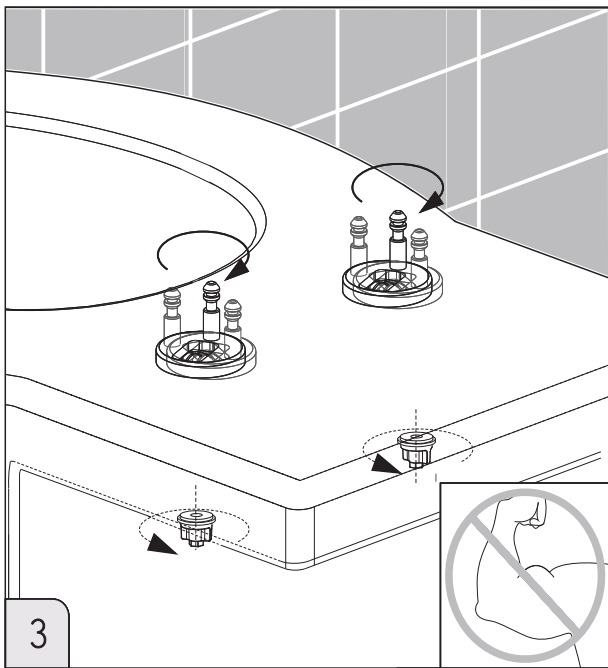
INSTALLATION INSTRUCTIONS

1. Remove old toilet seat (if necessary).

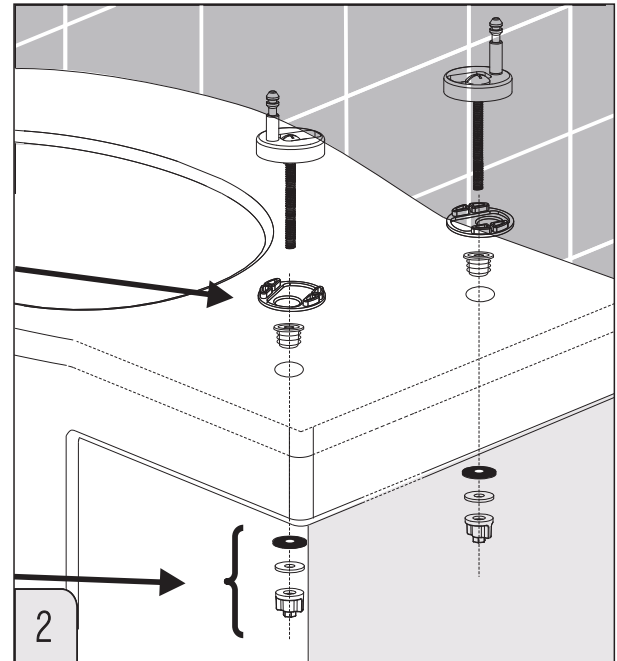
IMPORTANT: Make sure toilet bowl is clean and dry, especially around the mounting holes, with no chemical residue. Mounting surface must be level.

2. Assemble parts on bowl.

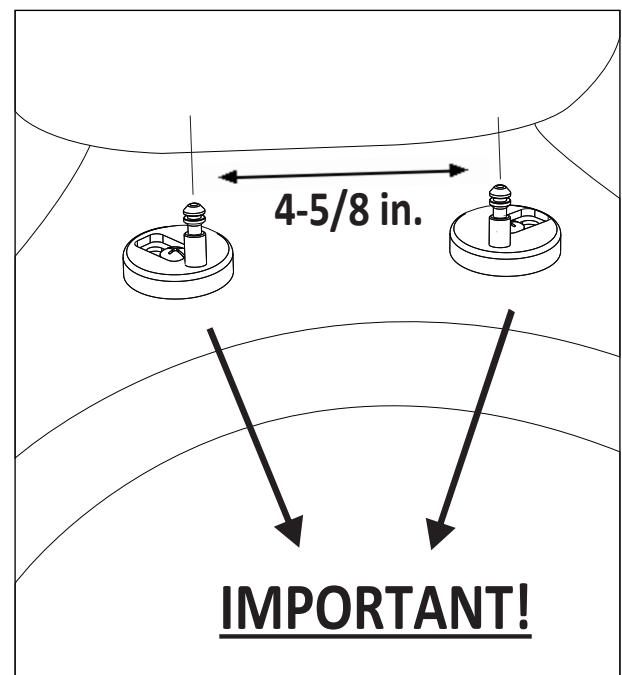
- A) Insert the clear plastic ribbed inserts into the holes in the toilet.
(Do not worry if holes in seat do not align with holes in toilet.)
- B) Insert screws through rectangle washer, mounting base and clear plastic ribbed insert.
- C) **IMPORTANT!** Black rubber washer goes on first, then white washer and finally, the white wing nut.



IMPORTANT: Posts must be 4-5/8 inches apart for seat to be installed. Rotate bases so mounting posts are closest to center of the bowl, not tank. (Use enclosed mounting template to ensure proper spacing of mounting posts.)

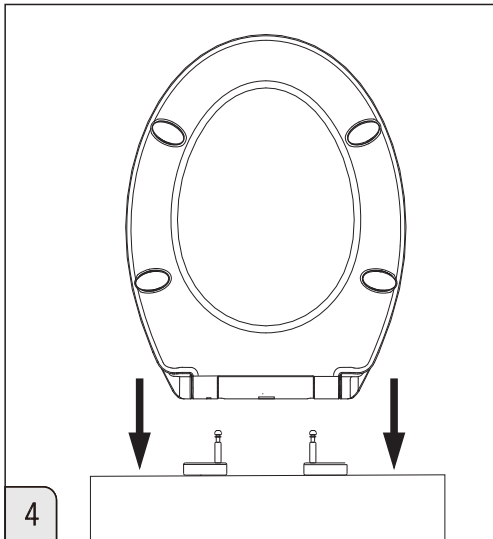


3. Do Not Completely Tighten Nuts:
(Mounting bases must rotate freely so the seat can be adjusted.)



4. Attach seat. Remove mounting template. Gently lower the seat (holes) onto the mounting posts (you may hear a "click" as the button pops out, locking the release mechanism.)

NOTE: The Quick Release mechanism is unlocked by pushing the button "in". If button is pushed before attaching seat, don't worry, it will pop "out" when you attach the seat.



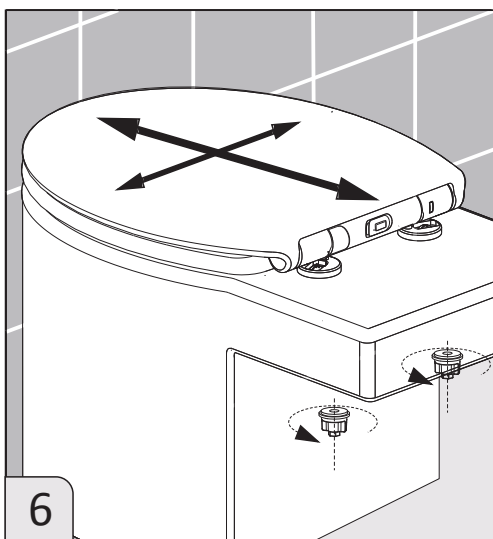
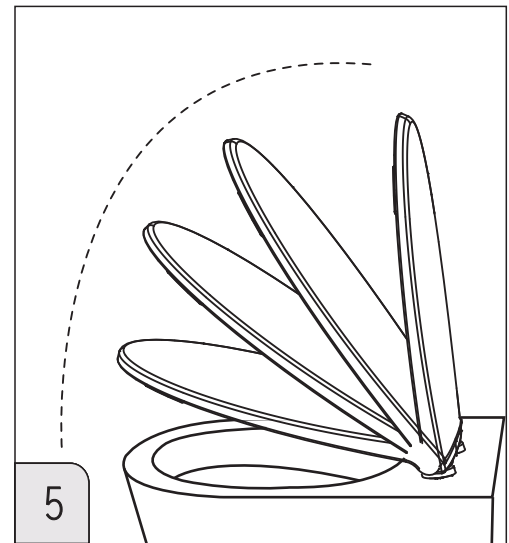
NOTE: If posts are not perfectly aligned and inserted at the same time, one post may "lock" into place. If this happens, don't try to unlock or remove the seat. Instead, move the base(s) so the second post can be inserted.

NOTE: The quick release button works much better if both posts are inserted and locked into place.

5. Close seat and cover. Tap forward and let the seat and cover close by themselves.

6. Adjust seat. With the seat and cover closed, adjust its position by moving the seat and bases together. (Loosen nuts further, if necessary.)

Tip: We recommend installing the seat overhanging the front of the bowl by 1/4 inch. That way, users can lift the seat without touching the toilet bowl.



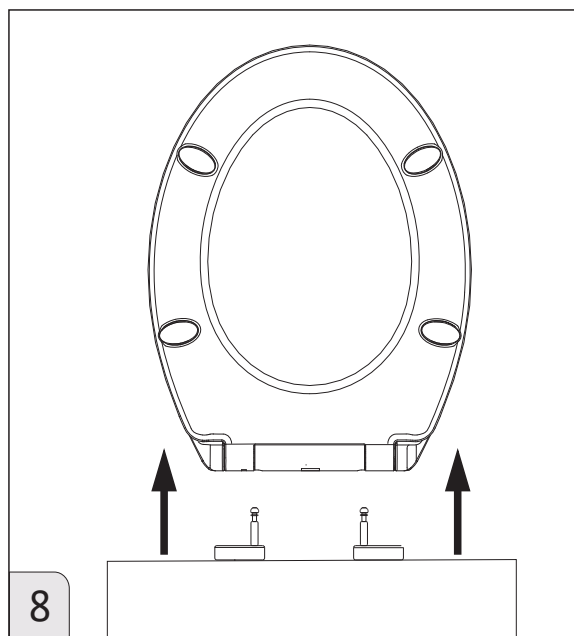
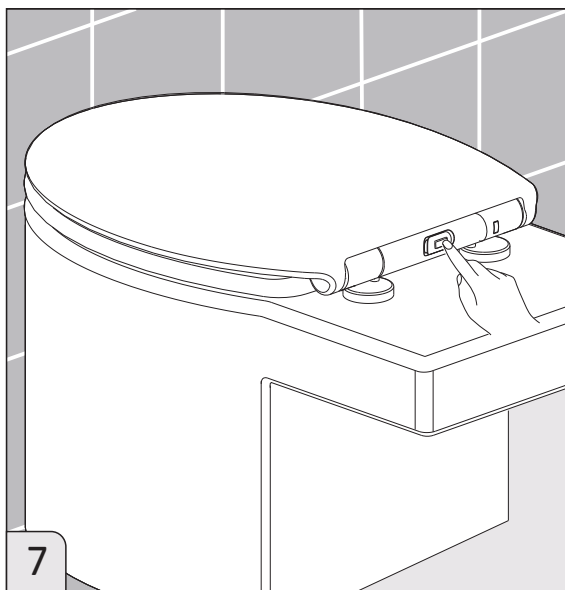
Tighten screws. When tightening the screws...

- A) Be sure seat does not move.
- B) It may be necessary to hold the nuts to completely tighten the screws.

NOTE: If screw heads are not accessible, hand tighten the nuts, then carefully remove the seat (steps 7-8) to access the screw heads (see next page).

7. With seat and cover closed, press and release the quick-release button. (Pressing the button "unlocks" the seat. You should hear a "click" and the button should remain depressed).

Carefully open the seat (hinges will pivot and you will feel some resistance, this is normal and the seat should remain connected to the posts).

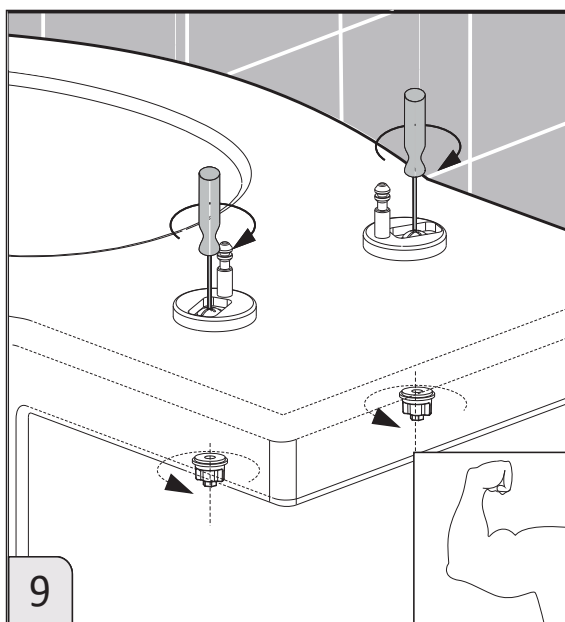


8. With seat open, lift the seat straight up with one hand.

NOTE: You will hear "click" as the seat slips off the posts very easily.

9. Finish tightening or double-check the tightness of the screws. **Note:**

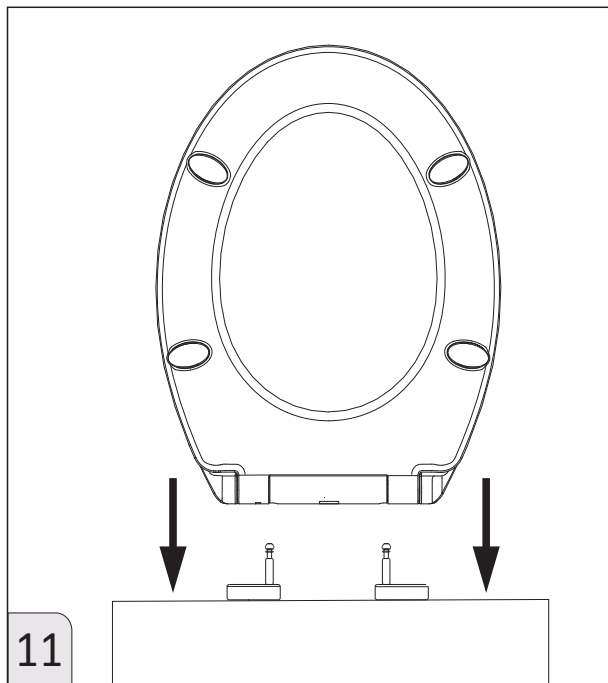
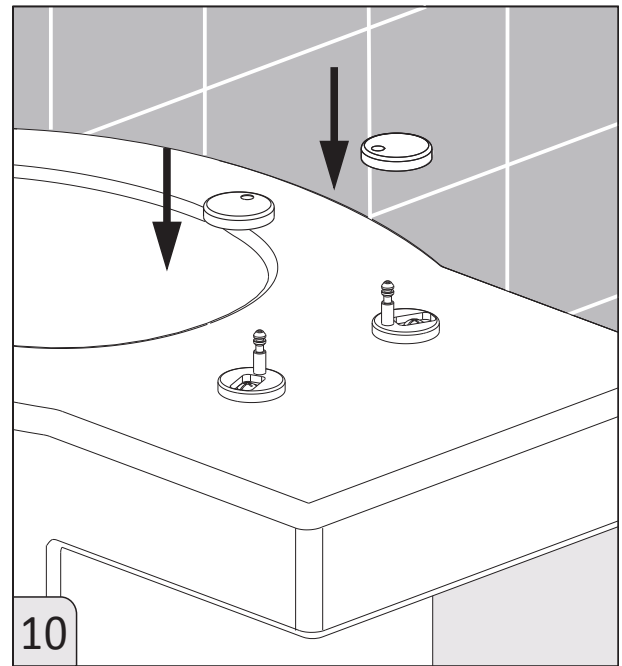
- a) Be sure the mounting bases do not move.
- b) It may be necessary to hold the nuts to completely tighten.
- c) If bases move, repeat steps 4-7.



10. Place decorative caps on mounting bases.

Bonus: There is an extra pair of decorative caps included. Choose chrome or color to match the colors and finishes in your bathroom.

TIP: Stainless steel caps that match Brushed Nickel or Satin Nickel finishes are sold separately and available at Amazon.com or www.bathroyale.com.



11. Replace Seat: Align holes with mounting posts and carefully lower seat back into place (a "click" will be heard as the button pops out and seat locks into place).

NOTE: Do not push hard or force seat onto posts. (If difficult, re-check alignment of posts and holes.)

CONGRATULATIONS, YOU ARE FINISHED!

TIP: Practice removing seat (steps 7-8) and replacing seat (step 11).

Care & Cleaning

Your Bath Royale toilet seat is made from 100% pure (not recycled) polypropylene which is ideal for toilet seats (more sanitary, longer lasting and more comfortable than other materials). **CAUTION:** The beautiful high-gloss finish will last for years, but abrasives and hard objects (tools, belt buckles, keys, jewelry, etc.) can scratch or dull the surface.

For cleaning, we recommend using a mild hand soap, soft cloth and water. Multi-surface cleaners (Mr. Clean, Pine-Sol, etc.) work well. Disinfecting wipes (Lysol, Clorox, etc.) can be used, but we suggest rinsing and drying after use to prevent skin irritation.

IMPORTANT:

- **Do not use brushes or abrasives (Comet, Soft Scrub, etc.) which may scratch the surface.**
- **Do not use solvents, acid or concentrated cleaners.**
- **Do not spray or saturate the mounting bases because some solutions may be absorbed beneath, causing the bases to move and the seat to slip.**

2-Year Limited Warranty

Satisfaction Guaranteed—Thank you for your purchase! If you are not completely satisfied, please contact your place of purchase (most have a 30-day, no-hassle return policy). Our standard 2-year warranty is one of the best in the industry and covers defects in materials and workmanship.

Questions? Please call (704) 589-1009 (7 days/week) or visit our website at www.bathroyale.com

Bath Royale® by Marcobelle Company
18630 Hammock Lane, Davidson, NC 28036
www.bathroyale.com