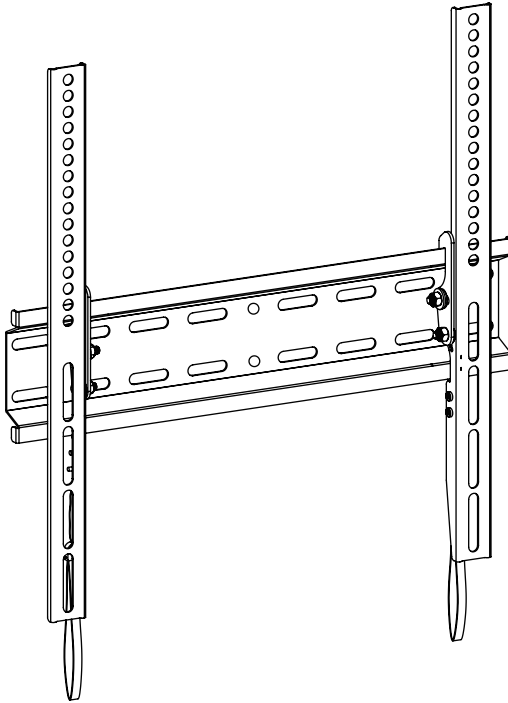




PERLESMITH

MEDIUM TILT TV WALL MOUNT

V2.0



PSMTK1



Thank you for choosing our product! We strive to provide the best quality and services for our customers. Would you kindly share your experience on Amazon if you are satisfied? Should you have any issues, please don't hesitate to contact us.

Telephone: 800-5566-806 Mon-Fri 10am - 6pm (PST) (USA) (CAN)

Email: supportus@perlesmith.com (US/CA/DE/UK/FR/IT/ES/JP/AU)

WARNING! SEVERE PERSONAL INJURY AND PROPERTY DAMAGE CAN RESULT FROM IMPROPER INSTALLATION OR ASSEMBLY. READ THE FOLLOWING WARNINGS BEFORE BEGINNING.

If you do not understand the instructions or have any concerns or questions, please contact a qualified installer.

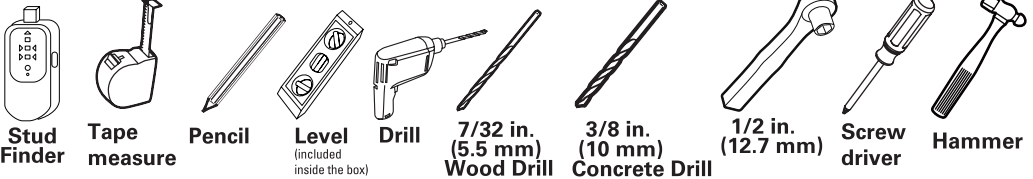
Do not install or assemble if the product or hardware is damaged or missing. Not all parts and hardware included must be used. If you require replacement parts, contact customer service at supportus@perlesmith.com.

This product has been designed for using on vertical wall constructed of wood studs. Wood studs being defined as a wall consisting of a minimum of 2x 4 studs with a maximum of 16 stud spacing with a maximum of 1/2 of wall covering (drywall, lath, plaster). For custom installations please contact a qualified installer.

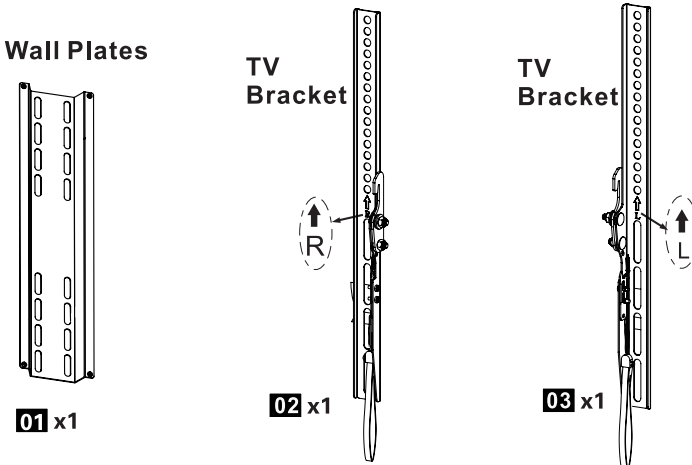
This product may contain moving parts. Use with caution.

Please check www.perlesmith.com for more products and company information.

Tools Needed



Hardware Included



⚠ WARNING: This product includes small items that could cause a choking hazard if swallowed. Before starting assembly, verify all parts are included and undamaged. If any parts are missing or damaged, please contact: supportus@perlesmith.com and you will get the new parts ASAP

NOTE: Not all parts and hardware included will be used

Hardware (Wall/product)

Wall Anchor










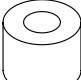


x4



⚠ CAUTION:

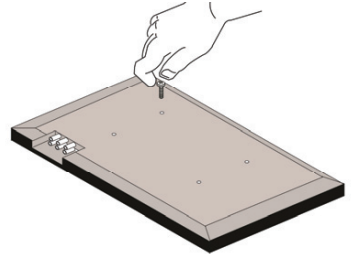
These concrete anchors are for concrete and brick installations ONLY. Do not use in drywall or wood.

TV Screws / Washers

Philips Screws M4x30mm	Philips Screws M6x15mm	Philips Screws M6x30mm	Philips Screws M8x15mm	Philips Screws M8x45mm	Lag Bolts ST 8x65	Spacer with 3 holes	Spacers L10mm	Spacers L5mm	Washers Ø8mm
									
x4	x4	x4	x4	x4	x4	x4	x4	x8	x4
A	B	C	D	E	F	G	H	I	J

STEP 1-1 Select TV Screw Diameter

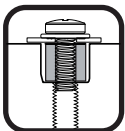
Thread screws by hand into the threaded holes on the back of your TV to select which screw diameter fit your TV.



STEP 1-2 Select TV Screw Length



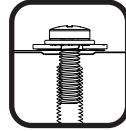
When attaching brackets to the flat screen, be careful not to over tighten screws and be sure that screws do not bottom out in the mounting holes.



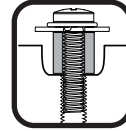
Too Short



Too Long



Correct



Correct

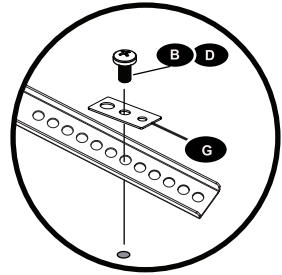
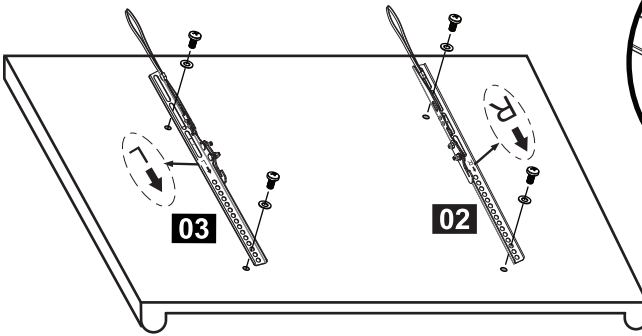


STEP 1-3 Attach the TV Bracket

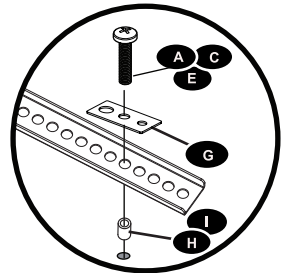
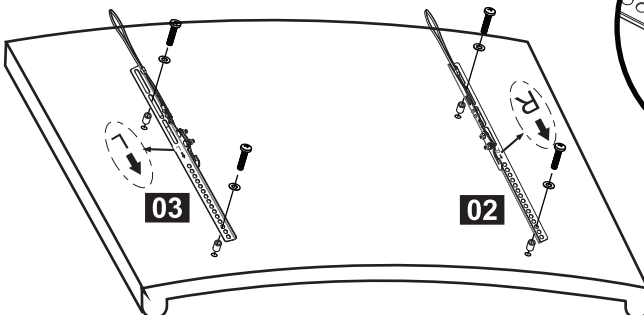
Position your TV bracket configuration (**A** or **B**) over your TV hole pattern - making sure the bracket is centered over the TV hole pattern and level. Secure bracket using your screw/washer (**A-Flat Back**) or spacer/screw/washer (**B-Round Back / Extra Space**) selection.

⚠ CAUTION: Ensure TV bracket is securely fastened before moving on to the next step.

(a) Flat Back



(b) Round Back / Extra Space

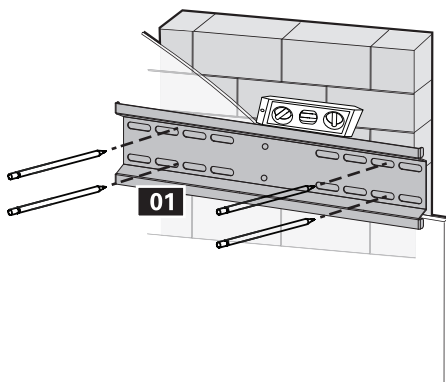


STEP 2A Wall Plate Installation (Concrete or brick)

⚠ CAUTION: Avoid potential personal injury or property damage! All lag bolts **F** MUST BE firmly tightened to prevent unwanted movement of the wall plate **01**.

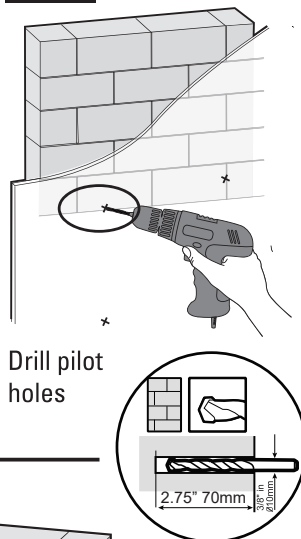
⚠ CAUTION: Ensure the wall plate is securely fastened to the wall before continuing to the next step.

2A-1



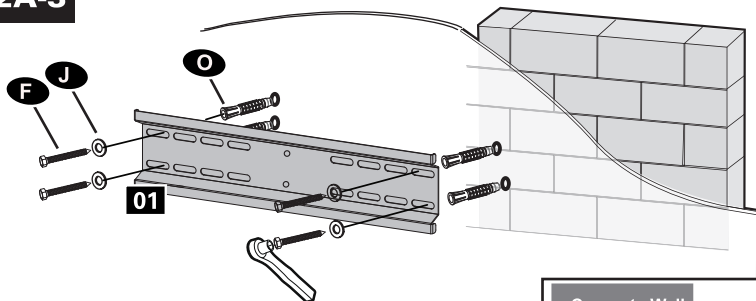
Position the wall plate **01** at your desired height, level the wall plate and mark the pilot hole locations.

2A-2



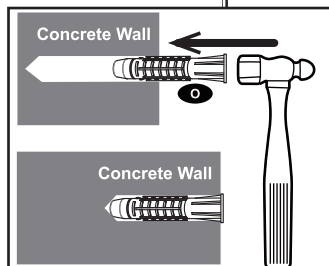
Drill pilot holes

2A-3



Install wall plate **01** using lag bolts **F** and washer **J** and anchor **O**. Tighten the lag bolts **F** until they are pulled firmly against the wall plate **01**.

Wall Anchor is necessary



STEP 2B Wall Plate Install (Wood stud)

⚠ CAUTION: Avoid potential personal injuries and property damage!

* Drywall covering the wall must not exceed 5/8 in. (16mm)

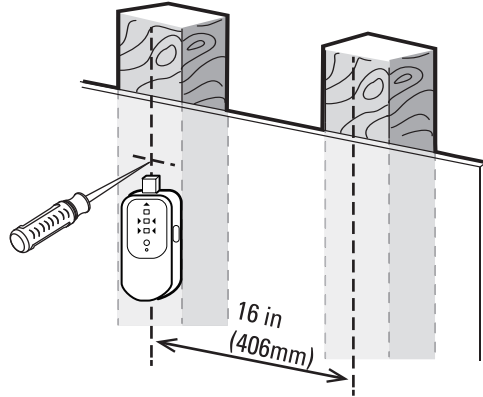
* Minimum wood stud size: common 2 x 4 in. (51 x 102 mm) nominal 1½ x 3½ in. (38 x 89mm)

⚠ CAUTION: Avoid potential personal injury or property damage! All lag bolts **F** MUST BE firmly tightened to prevent unwanted movement of the wall plate **01**.

⚠ CAUTION: Ensure the wall plate is securely fastened to the wall before continuing to the next step.

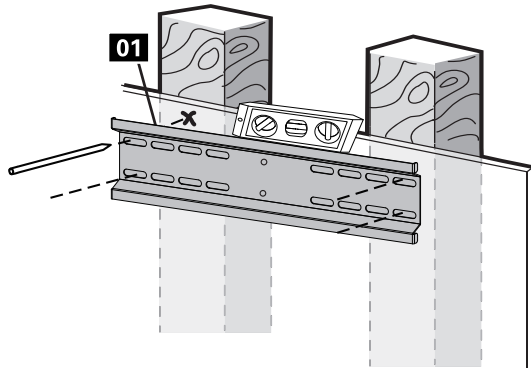
2B-1

Position the stud. Verify and mark the center of the stud by finding the stud edges using an awl, a thin nail, or an edge-to-edge stud finder.



2B-2

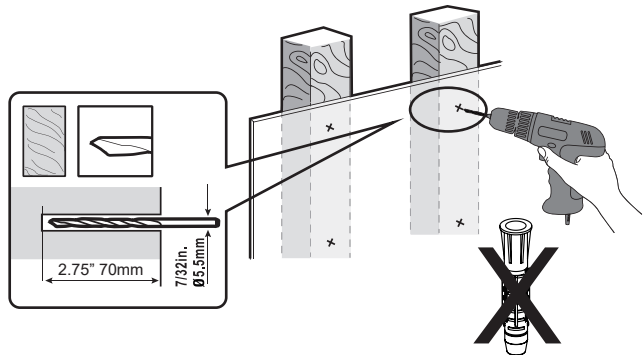
Position the wall plate at your desired height and line up the holes with your stud center line. Level the wall plate and mark the holes.



2B-3

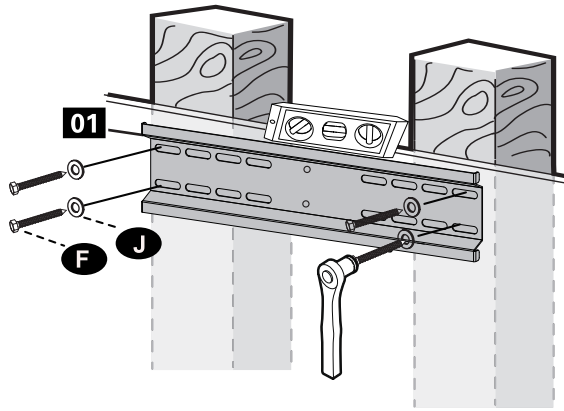
Drill pilot holes using a 7/32 in. (5.5mm) diameter drill bit.

⚠ IMPORTANT: Pilot holes must be drilled to a depth of 2¼ in. (70mm). Be sure to drill into the center of the stud.

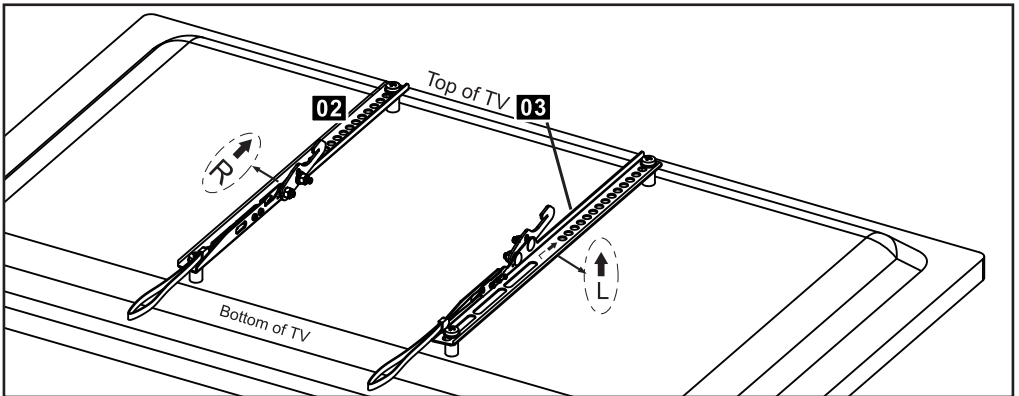


2B-4

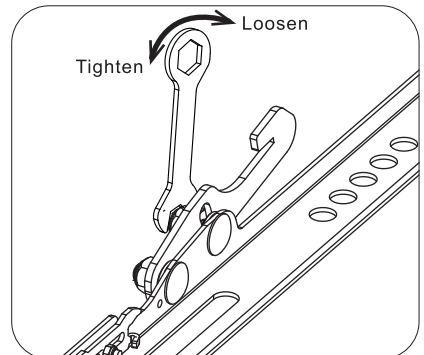
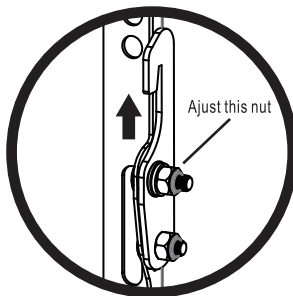
Install the wall plate assembly using lag bolts **F** and washer **J**. Tighten the lag bolts **F** only until it against the wall plate



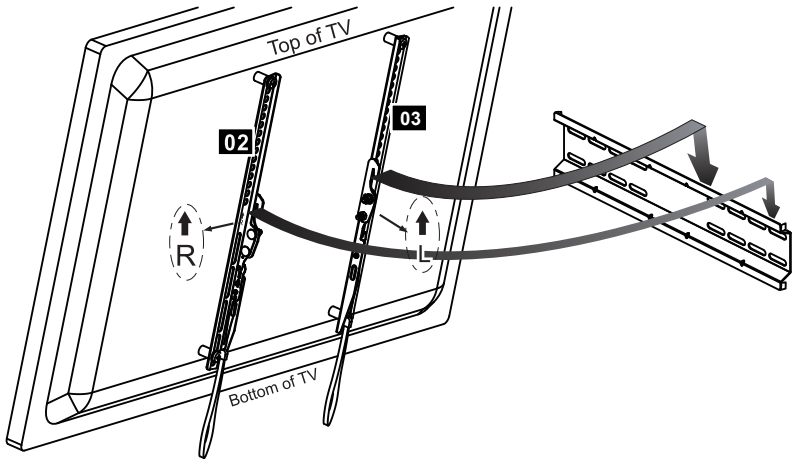
STEP 3 Tighten Nuts



Please adjust the tilting angle with the Allen wrench for both **02** and **03** as the pictures show before hanging TV



STEP 4 Hang TV



STEP 5 Secure TV

Pull the strap down and push the TV to secure the TV brackets **02** and **03** to the wall plate **01**. If cannot tilt TV, please take TV off and then adjust the tilt as STEP 3 shows.

