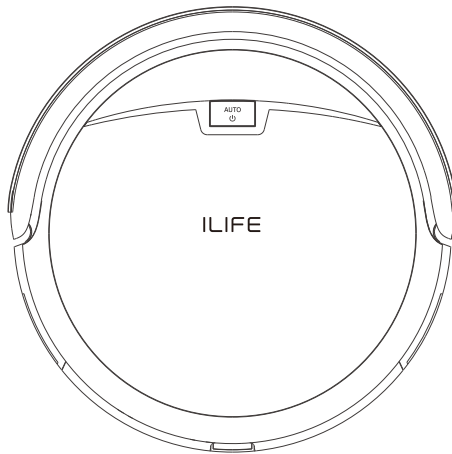


ILIFE

User Manual

Robotic vacuum cleaner

Model: A4s



English

Français

Español

Deutsch

Italiano

Português

日本語

www.iliferobot.com

Dear Customer,

Thank you for purchasing ILIFE A4s robotic vacuum cleaner! You've joined the millions of people who clean with robots- the smarter way to get it down.

Please take a few moments to read this manual and get acquainted with your robot, to get the best performance from your robot. If you have any problem, please don't worry, you are supposed to contact our customer service first or visit our website at www.iliferobot.com for more information.

Register your robot immediately to enjoy exclusive benefits:

- Get support from ILIFE's 24-hour online customer service
- Be among the first to be informed with updated new models, exclusive discounts and special.

When you register, you can share us with your experience with your robot; ILIFE listens and makes improvements based on your valued feedback. We'd love to hear from you.

Register your robot right now at www.iliferobot.com/register.

Enjoy a thorough clean every day in your life!

Best regards,
ILIFE Innovation



ILIFE Customer Service

Customer Service Number:

1-800-631-9676 (Toll free for USA & Canada)

+86-75521005927 (Outside USA & Canada)

Email: support@iliferobot.com

Important Tips



A4s contains electronic parts. Do Not submerge the robot or spray it with water. Clean with a dry cloth only.

For Best Usage

- Place the charge dock against wall in a wide open area, and do not put it near a door or stairs.
- Clear up excess clutters on floor before cleaning (e.g. cables, bar stools, etc.).
- Choose MAX mode to clean an area of highly concentrated dust.

Keep Peak Performance

- Remove the main brush, clean the both ends of the bristle brush and the brush motion link twice a week. (See figure 1)
- Take off the front wheel with a screwdriver, clean hairs in the wheel cavity and the axle twice a week. (See figure 2)
- Empty dust box and clean HEPA filter and bristle brush after each use. Replace a new HEPA filter every month.

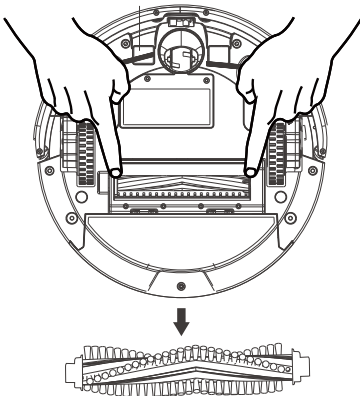


Figure 1

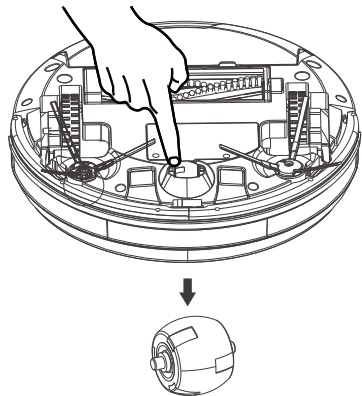


Figure 2

Table of Contents

Safety Instructions	4
Product Parts	6
Main body and accessories	6
Robot anatomy.....	7
Charging home base.....	8
CLEAN button status.....	8
Remote control.....	9
Product Operating	11
How to get started.....	11
Starting up/Pause/Sleeping.....	12
Scheduling.....	13
Cleaning mode.....	14
Product Maintaining	15
Cleaning side brushes.....	15
Cleaning dust bin and filter.....	15
Cleaning cliff sensors and auto charging pins.....	16
Troubleshooting	17
Error sheet.....	17
Errors appearance.....	18
FAQ.....	19
Product Specifications	20

Safety Instructions

Before using this product, please read the following safety instructions and follow all normal safety precautions.

- Read this user manual thoroughly and carefully before using this product.
- Save this user manual.
- Any operations that oppose to descriptions in this user manual may lead to harm to human or this product.

WARNING

1. Only the certified technician may disassemble the product. Users are not allowed to disassemble or repair the product.
2. Only use the adapter provided by the factory. Using other un-matched adapter may cause electric shock, fire or product damage.
3. Do not touch the power cord, plug or adapter when your hands are wet.
4. Do not make clothes or part of a body drawn into the product's wheels.
5. Do not make this product close to cigarette, lighter, match or any flammables.
6. If the product is needed to clean, clean it after charging is stopped.
7. Do not over-bend the power cord or pressure the power cord with heavy or sharp objects.
8. This product is used only indoors, do not use it outdoors.
9. Do not sit on top of this product or attach an object on the top of it.
10. Do not use this product in wet or moist environment (any environment with liquid).
11. Before use, remove all the damageable objects (textile, glass, lighting, etc) and objects that could get caught in the brushes or suck passage(cords, clothing, papers, drapes, blinds, etc).
12. Do not place this product where it is easy to drop off (tables, chairs, etc).
13. Turn off the power switch during transportation or when you don't need to use this product for a long time.
14. Before use, check whether adapter and outlet are properly connected. Or else the battery may be damaged.
15. To avoid tripping, inform all the people in the house when this product is working.

Safety Instructions

16. Do not use this product when dust bin is full.
17. Use this product in temperature from -10°to 50°(centigrade degree).
18. Do not place this product in high-temperature environment.
19. The battery must be removed from the product before it is scrapped.
20. The product must be disconnected from the supply mains when removing the battery.
21. The battery is to be disposed of safety.
22. Use factory-authorized battery only, do not use unmatched battery.

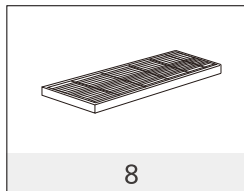
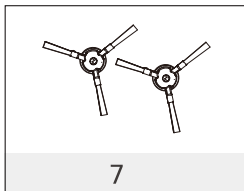
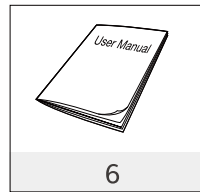
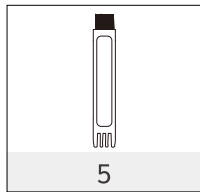
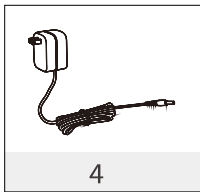
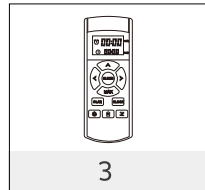
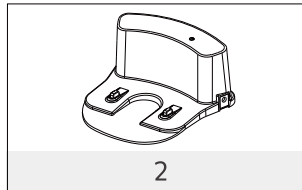
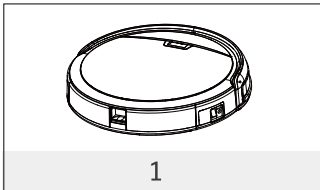


NOTE: This product could not be used by children, mentally challenged people or people lack of related experience and knowledge (Unless there people instruct or supervise them).

Product Parts

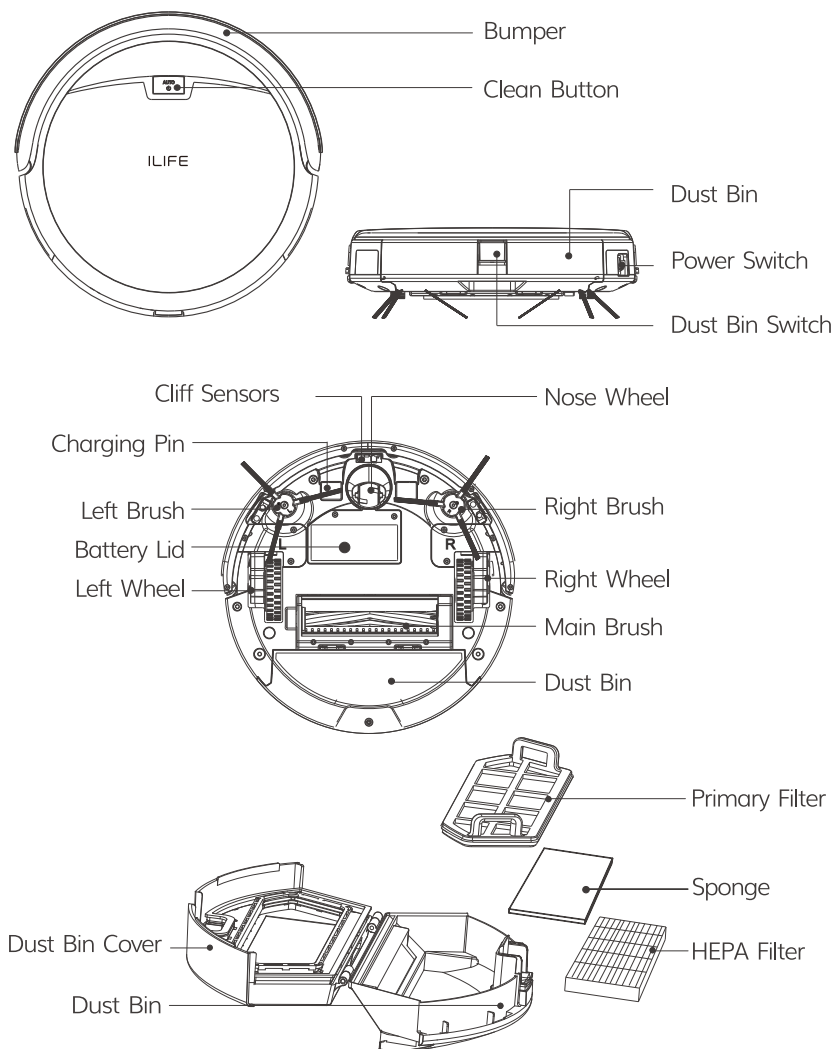
Main body and accessories

NO.	Description	Q'ty
1	Main Body	1
2	Charging Home Base	1
3	Remote Control (battery not included)	1
4	Adapter	1
5	Cleaning Tool	1
6	User Manual	1
7	Extra Side Brushes	2
8	Extra HEPA Filter	1



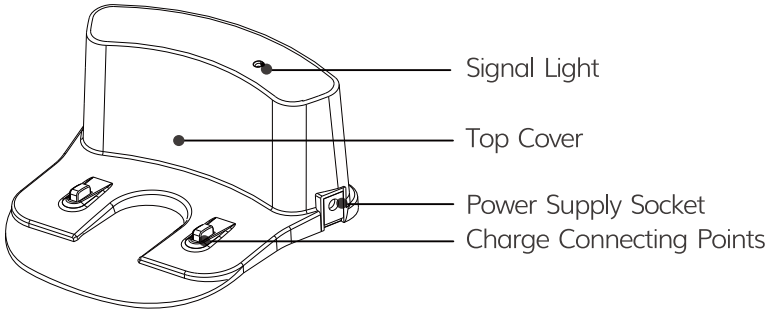
Product Parts

Robot anatomy



Product Parts

Charging home base



CLEAN button status

Robot status	Lights Status
Charging	Orange light flash
Charging finished	All lights turn off
In selected mode	Green light flash
When robot in error	Red light turn solid
Low battery	Orange light turn solid
In cleaning mode	Green light turn solid

Product Parts

Remote control

① "CLEAN" Clean

- Press this button to start cleaning in selected mode.
- Press this button to make the robot stop when it's cleaning.
- Press this button to exchange from sleeping mode to selected mode.

② Directional Buttons

A. "▲"button:

- Press this button to increase number in scheduling or clock mode.
- Press this button to make robot move forward in selected mode and the robot will stop when it hits any objects.

B. "MAX"button:

- Press this button to decrease number in scheduling or clock mode.
- Press"MAX", the vacuum power will be the strongest.

C. "◀"button:

- Press this button to exchange from minute to hour in scheduling or clock mode.
- Press this button to make robot turn left.

D. "▶"button:

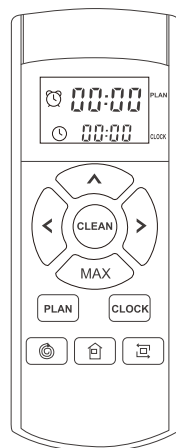
- Press this button to exchange from minute to hour in scheduling or clock mode.
- Press this button to make robot turn right.

③ Plan

- Press this button to enter scheduling mode when in selected mode.
- Press this button to confirm scheduling in scheduling mode.

④ Clock


- Press this button to enter clock mode when in selected mode.
- Press this button to confirm clock setting in clock mode.



Product Parts

5 "  " HOME

Press this button to return robot to charging home base.

6 "  " Edge

Press this button to make robot clean along wall.

7 "  " Spot

Press this button to make robot start spot cleaning.

8  **00:00**

Shows the scheduling time.

9  **00:00**

Shows the clock time.

Note:

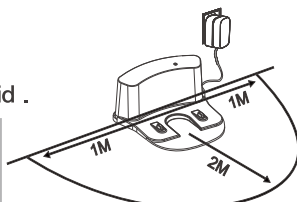
1. Install two AAA type batteries into the remote.
2. Take out the batteries if the remote control is not used for long time.

Product Operating

1. How to get started

- 1>. Place charging home base, plug in adapter, signal light on charging home base will turn solid .

Note: Put charging home base against the wall and remove obstacles about 1 meter at two sides and about 2 meters forward.



1>


- 2>. Turn on the Power Switch around power socket, then display panel will flash.
(If no command received, the robot will turn to sleeping mode after 45 seconds.)

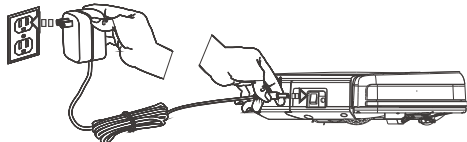
Note:

- A. Please always keep the power switch turning on. If not, it is unable to make the robot work.
B. If power switch is turned off, all the scheduling will be lost.

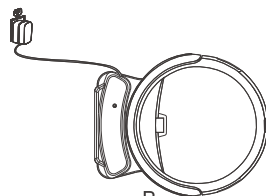
Caution: Before charge the robot, please make sure the power switch is turned on, or else the robot can not be charged.

- 3>. Charge the robot in either way as shown below:

- A. Plug into an outlet.
B. Press  button on remote control to make robot return to charging home base for charging itself.



A



B

For better extending battery life:

- A. Before first use, charge the robot overnight. When charging is finished, light around the main button will turn off.
B. In normal use, always store the robot on charging home base with base plugged in.
C. If the robot is not used for long time, turn the power switch off, fully charge the robot and store it in a cool, dry place.

4>. Auto charging

The robot will automatically return to charging home base when battery is low.

Product Operating

2. Starting up/Pause/Sleeping

Sleeping mode: Robot is not working, light around main button are off and power switch is on.


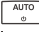
Selected mode: Robot is not working, greenlight around main button flash.

Cleaning mode: Robot is working, green light around main button turn solid.

1>. Starting up

A. Make sure the power switch is on.

B. Press  button on main body or  button on remote control to start cleaning.

Note: If robot is in sleeping mode, press  button to wake the robot up from sleeping mode.
Then press  button for a second time, the robot starts cleaning automatically.

2>. Pause

Press  button on main body or  button on remote control to exchange robot from cleaning mode to selected mode.

Note: When robot is paused, press  button to make robot to re-start cleaning.

3>. Sleeping

To turn robot into sleeping mode from selected mode:

A. Keep pressing  button on main body for 3 seconds.

B. Robot will automatically enter sleeping mode if no command received for 45 seconds.

Product Operating

3. Scheduling

- 1>. Aim the remote toward the robot and press the "CLEAN" button to wake the robot when it is in sleeping mode. You will hear 1 beep tone.
- 2>. Please adjust the "clock "time on remote display to your local time.
 - A.Press CLOCK and then use directional buttons to set the correct time.
 - B.Press CLOCK to save the setting.

Note: During the schedule, let the remote get close to the vacuum for receiving the signal successfully.

- 3>. While still aiming the remote toward the robot, set the "plan" time on the remote that you want the robot to begin cleaning.
- 4>. When you are done setting the time, press the "PLAN" button on the remote to save your schedule program. You will hear 1 "beep" tone if you have successfully completed the schedule setting program.

Note: 1.Do not place the charge dock on the carpet.
2.Please keep the robot on after scheduling.

- 5>. How to cancel the schedule?
 - 1.To cancel the schedule, Please turn off the robot.
 - 2.Restart the vacuum.

* When you set the clock time or schedule, the final operation will be confirmed by beep from robot. If no tone received, your setting is unsuccessful.

Product Operating

4. Cleaning mode

1>. Auto cleaning

The robot will clean a room automatically and adjust its cleaning according to the situation.

Note: Press  button on robot or  button on remote control to start auto cleaning.

2>. Spot cleaning

- Press Spot on the remote toward the robot when the robot is working. The robot will circle around and turn into Auto Clean mode after Spot clean is finished.
- Press Spot on the remote toward the robot when the robot is in selected mode and the robot will begin to circle around. The robot will turn into selected mode after Spot Clean is finished.

3>. Edge cleaning

Put the robot near the edge (wall) and press EDGE on remote to start edge cleaning.

Note: Edge cleaning will automatically stop when robot could not detect any edges, or you could manually press CLEAN to stop edge cleaning.

4>. Mini-Room mode

To do a small space or single room cleaning, Double Press "AUTO" button when the vacuum is in sleeping mode, closing the door of mini room could let A4s robot work effectively.

Product Maintaining

1. Cleaning side brushes

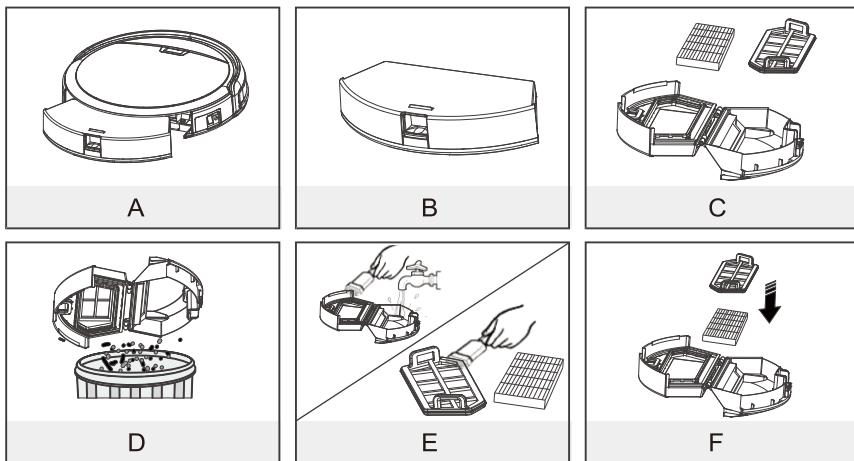
Clean the side brushes when it gets dirty and replace if it's damaged.

Note: Before replacing side brushes, check and match "L" "R" mark on both side brush and bottom of robot.

2. Cleaning dust bin and filter

Clean and empty dust bin after each use, steps are as shown in below figures.
Note:

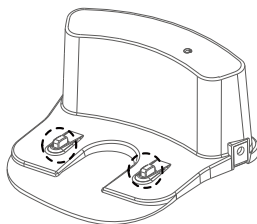
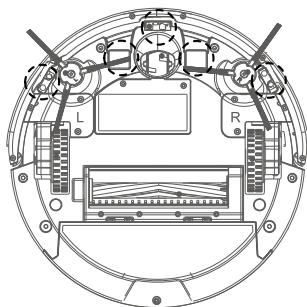
- After taking out dust bin, check whether there is foreign matter stuck in suck passage and clean it.
- Clean HEPA filter after 15-30 days' use. And replace it after use for 6 months at maximum.
- Install both HEPA and primary filters when they are dry.
- Dust bin and filters (including HEPA and primary filter) could be replaced if needed.



Product Maintaining

3. Cleaning cliff sensors and auto charging pins.

Slightly clean the sensor window and auto charging pins with a soft dry cloth.



Product Specifications

Classification	Item	Detail
Mechanical Specifications	Diameter	310mm
	Height	76mm
	Weight	2.2kg
Electrical Specifications	Voltage	14.8V
	Battery specifications	Lithium ion 2600mAH
Cleaning Specifications	Dust bin capacity	>0.45 L
	Charging type	Auto Charging / Manual Charging
	Cleaning mode	Auto, Spot, Edge, Daily Schedule
	Charging time	<300 min
	Cleaning time	120-140min
Main Body Button Type		Mechanical Button

Remark: The storage temperature of this product is -20 to 60 °C. When you set the clock time or schedule, the final operation will be confirmed by beep from robot. If no tone received, your setting is unsuccessful.

Troubleshooting

When the robot meets with some routine troubles, it will remind you by beep or weird movements.

Tone	Likely Cause	What to do
1 beep	Side wheels or side brushes issue	Clean the side wheels and side brushes and ensure they can turn smoothly.
2 beeps	Cliff sensor or bumper sensor failure	Clean cliff sensor and check whether the bumper can move back and forth freely.
3 beeps	Main body gets stuck	Move the robot and start it again.
4 beeps	Main rotating brush failure	Remove the bristle brush. Clean the both ends of the bristle brush and the brush motion link.

Movement	Likely cause	What to do
Make short moves and repeatedly turn around in a small area	Hairs/debris are clogged in front wheel's housing	Pull out the front wheel and clean hairs and debris in its cavity and axle. Then re-install it. Please clean it twice a week.
Moves backward and spins	Bumper can't move back and forth smoothly	Re-intall the bumper and remove hairs and debris. Ensure that the bumper can move back and forth smoothly.
Move in endless circles	Side Wheels get stuck	Clean hair and debris tangled on the wheel. Push them in and out and confirm that they turn freely.

Troubleshooting

Movement	Likely cause	What to do
The noise level increased	the bristle brush and the brush motion link are tangled with hairs	Remove the main brush and clean the bristle brush and the brush motion link and then re-install it.
Suddenly stops and beeps	the bristle brush and the brush motion link are tangled with hairs	Remove the main brush and clean the bristle brush and the brush motion link with clean brush and then re-install it.
Do not pick up debris and spit them out	Dust bin is full and the HEPA is dirty	<p>Tips: Clean the robot twice a week, change a new HEPA once every three months.</p> <ul style="list-style-type: none"> • Take out the dust bin and clean it. • Remove HEPA filter and clean it; change a new HEPA regularly.
Side wheels do not work as usual	Side wheels get stuck by pet hairs or any hair	Clean hair and debris tangled on the wheel. Push them in and out and confirm that they turn freely.
Side brushes do not turn freely	Side brushes get stuck	Take apart the side brushes to clean the dust and hair and ensure that the side brushes can turn freely.
Robot works for a short time	Charge the robot for a short time or problems with battery	<ul style="list-style-type: none"> • Ensure the robot is fully charged by 5 hours. • change a new battery.

