

WOMOW

HANDHELD AND CORDLESS
VACUUM CLEANER

W20

*INSTRUCTION
MANUAL*

Content

1. Important Safety Instructions
2. Package Contents and Product Specifications
3. Unpacking and Assembling
4. Product Operation & Maintenance
5. Troubleshooting
6. Warranty

IMPORTANT SAFETY INSTRUCTIONS

SAVE THESE INSTRUCTIONS Household use only.

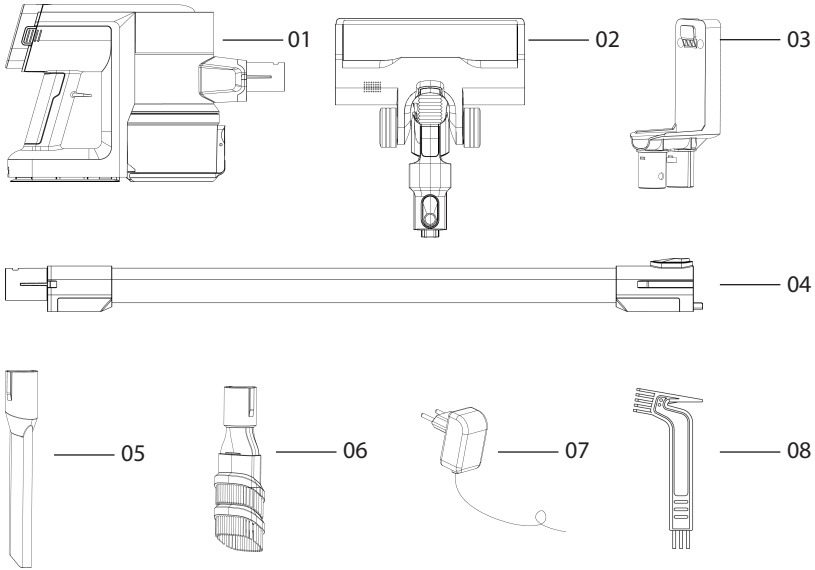
When using an electrical appliance, basic precautions should always be followed, including the following:

WARNING: These warnings apply to the machine, and also where applicable, to all tools, accessories, chargers or mains adaptors.

READ ALL INSTRUCTIONS BEFORE USING (THIS APPLIANCE), Failure to follow the warnings and instructions may result in electric shock, fire and/or serious injury.

1. This appliance can be used by children aged from 8 years and above and persons with reduced physical, sensory or mental capabilities or lack of experience and knowledge who have been given supervision or instruction concerning use of the appliance in a safe way and understand the hazards involved. Children shall not play with the appliance. Cleaning and user maintenance shall not be made by children without supervision.
2. This appliance is designed for household use only.
3. Do not pull on the connection cord, but rather on the plug, to separate the appliance from the mains.
4. Do not use outdoor.
5. Do not leave the appliance unattended when it is switched on, as this may be a source of danger.
6. Stand the appliance on a table or flat surface.
7. If the supply cord is damaged, it must be replaced by the manufacturer, its service agent or similarly qualified persons in order to avoid a hazard.
8. Following objects are strictly banned, otherwise the vacuum cleaner will be damaged or fire calamity will be caused, which bring such accidents as human body injuries:
 - Don't pick up large or sharp broken such as glasses,
 - Don't pick up harming or erodent liquids (solvent, corrosive, detergent...),
 - Don't pick up inflammable or explosive substance such as gasoline or alcohol.
9. Check the device and connections regularly for visible damage. The device must not be used if the housing is damaged or other damage is present.
10. Never attempt to open the device or the mains adapter yourself or to replace the connecting cable. Always have repairs to the device carried out by a specialist workshop. There is considerable danger to the user if repairs are faulty.
11. Do not trap the mains adapter cable and when using the adapter, pay attention to where the cable is to prevent any danger of tripping over it. Keep the cable away from heated surfaces (e.g. cooker surfaces).
12. Do not touch the mains adapter and cable with wet hands.
13. Do not point the vacuum cleaner at persons or animals when in operation.
14. Only use the mains adapter on dry surfaces in buildings.
15. Only use the device with the accessories supplied.
16. Please keep these instructions in a safe place.
17. Use only with the provided adaptor.
18. The appliance must only be supplied at safety extra low voltage corresponding to the marking on the appliance.
19. This appliance includes Li-ion batteries; do not incinerate the batteries or expose to high temperatures, as they may explode.
20. This appliance is only charged with the adaptor delivered together.

— Package Contents and Product Specifications —



01.Main Body (Battery Included)

02.Motorized Floor Brush

03.Wall Mount

04.Tube

05.Crevice Tool

06.2 In 1 Brush

07.Charger

08.Cleaning Brush

Specifications

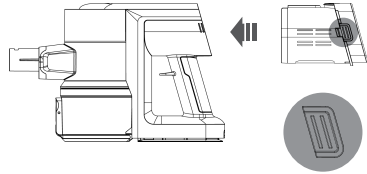
Model :	W20	Dust cup volume :	0.6 L
Battery capacity :	Lithium2500 mAh	Maximum vacuum degree :	≥23Kpa
Rated power :	400W	Rated voltage :	25.2V DC
Use time (one battery) :	≥10min(MAX)≥ 35min(Standard)	Charging time :	3H
Power adapter input :	100-240V 50/60Hz	Power adapter output :	30V 800mA

Technical and design specifications may be changed in the course of continuous product improvement.

Unpacking and assembling

Battery pack

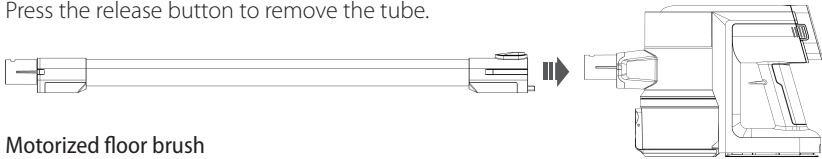
Press the release buttons of the battery pack and slide it into the top of the hand vacuum. The battery will click into position when correctly installed.



Tube

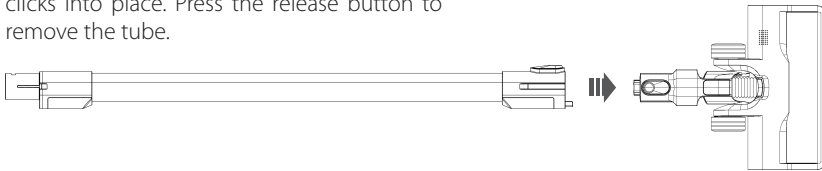
Slide the tube into hand vacuum until it clicks into place.

Press the release button to remove the tube.



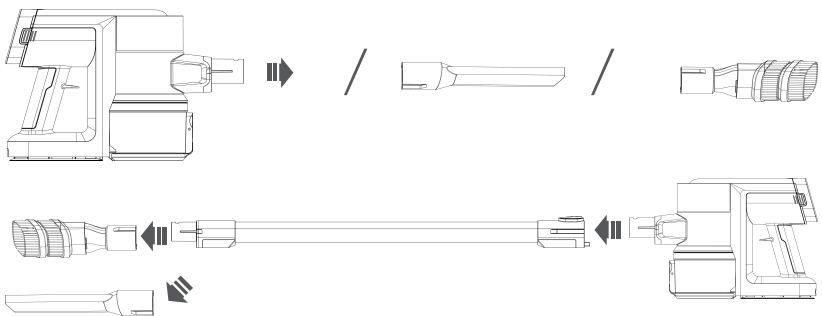
Motorized floor brush

Slide the motorized brush into the tube until it clicks into place. Press the release button to remove the tube.



Accessories

Push the crevice tool / 2 in 1 brush to suction tube or hand vacuum until it clicks into place.





Note : The crevice tool is suitable for cleaning narrow, slit or irregular object surface, such as corner, window slit, drawer, frame, keyboard, etc.

Product Operation & Maintenance

Start using

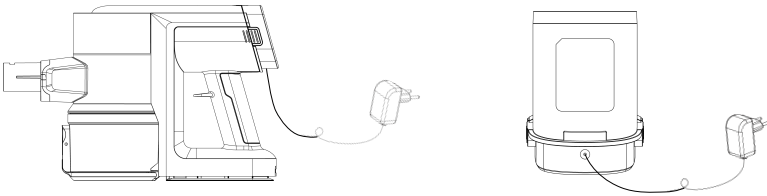
Please ensure vacuum cleaner has battery power before using. Please charge the device for 3 hours at first use.

Press the +  ON/OFF button to switch on the power, press again to stop the vacuum cleaner.

The speed control button +  is on the top of the battery pack. Press the speed control button to use the MAX speed mode, press again to switch back to standard mode.

Charging

The charging port is on the battery pack. Plug the charger into the power outlet to charge the machine. The battery pack can also be removed to charge separately.

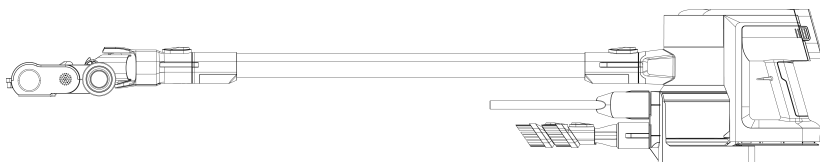


Note:

1. Please only use the original battery and charger. Do not use other replacement battery or charger.
2. Prevent the battery and charger from any shock or damage.
3. Keep the battery and charger away from water and any wet environments.
4. Put the battery pack at dry and cool place when charging.
5. Do not put the battery and charger in hot environment over 50 degree. Prevent them from direct exposure to sunshine. Keep them away from heated surface and cigarettes.
6. Do not repair by yourself when the battery or charger is defective. Please contact the customer service team for help.

Storage

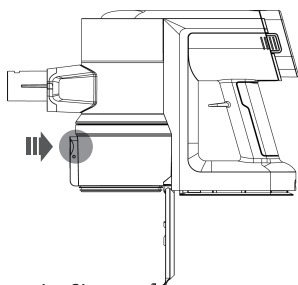
Install the wall-mounted tool on the wall with the screws in the package. Put the vacuum cleaner by inserting it into hook. The crevice tool and 2 in 1 brush can be stored on the wall mount as below picture.



Maintenance

Clean the dust cup

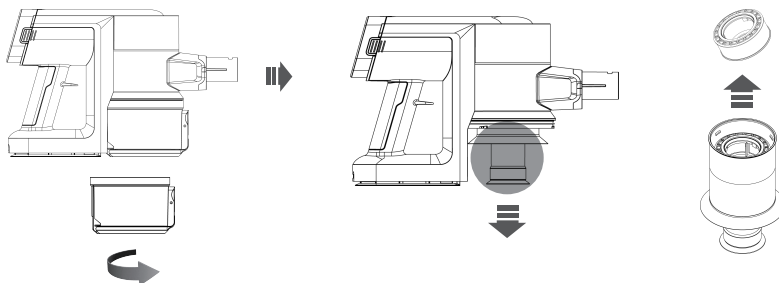
Turn off the vacuum cleaner, press the release button to empty the dust cup.



Clean the filters

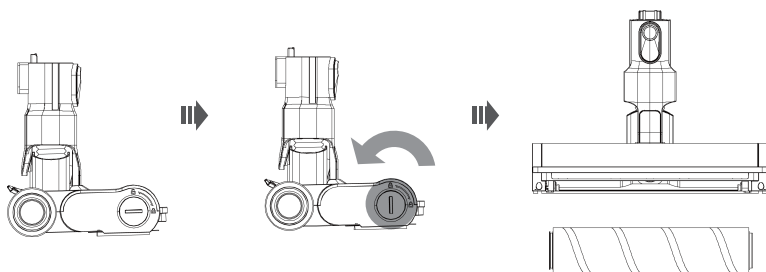
Empty the dust cup first, then pull out the filters. Both the metal filter and sponge filter can be cleaned. The bottom part of the dust cup can be removed. You can clean it thoroughly with the cleaning brush in the package.

Note: Reinstall the filters when they are completely dry.



Clean the floor brush

Turn off the vacuum cleaner, use a coin or other tool to unlock the the roller brush lock. Then remove the roller brush for cleaning.



Indicator lights

This vacuum cleaner has 5 indicator lights and will be on after switching on.

The indicator lights show the current battery power.

When the battery is lower than 3%, the machine will be turned off automatically. And please charge the vacuum cleaner when it has 5 flashing indicator lights.

During charging, the 5 lights will keep flashing. After fully charged, there will be 5 solid lights. 5 minutes later, all lights will turn off and the unit will go into sleep mode.

Do not use the vacuum cleaner when charging.

Troubleshooting

Common troubleshooting:

Malfunction	Possible cause	Resolvent
The vacuum cleaner doesn't work	<ol style="list-style-type: none"> 1.Lack of power. 2.Suction mouth is blocked. 	<ol style="list-style-type: none"> 1.Charge the battery. 2.Clean up the suction mouth.
Weak suction power	<ol style="list-style-type: none"> 1.Dustbin and filters are full of dust. 2.Hairs or fibers are wrapped around brush or other accessories. 	<ol style="list-style-type: none"> 1.Clean up the dustbin and filters. 2.Clean up the brush and accessories.
The motor is running with abnormal sound	The suction mouth or the tube is blocked.	Remove the blockage.
The LED Floor Brush does not rotate	Hair or fibers are wrapped around the brush.	Turn off and clean up the brush.
LED lights do not work	One or more sections of the Womow may not be installed (seated) correctly.	Take each section apart and when reconnecting, ensure a good connection
The battery indicator keeps flashing	<ol style="list-style-type: none"> 1.The brush or dustbin is blocked and the temperature of battery is increased. 2.The temperature is too high/too low. 3.Does not use the adapter provided by Womow. 	<ol style="list-style-type: none"> 1.Remove the blockage. 2.Ensure charge the battery under a comfortable indoor temperature. 3.Only use the adapter provided by Womow and its authorized service partner.

Warranty

SERVICING OR REPAIRS

Use of parts not in accordance with the Womow Instruction Manual.

Womow for purchases made in the United States warrants this product against defects in material or workmanship for a period of 1 year from the original date of purchase when utilized for normal household use, subject to the following conditions, exclusions and exceptions. The 1-Year Limited Warranty only applies to purchases made from Womow and authorized retailers of Womow. Warranty coverage applies to the original owner and to the original battery only and is not transferable.

30-DAY MONEY-BACK GUARANTEE FOR ANY REASON

Undamaged products may be returned for a full refund for any reason within 30 days of the date the item was delivered to the designated shipping address. Once the returned item arrives back in Womow's warehouse for inspection, the refund process will begin.

Returns must include all accessories

- Items must include original packaging
- For non-quality related warranty claims, buyer is responsible for shipping costs
- For non-quality related warranty claims, Womow refunds the cost of the product itself
- Returns may be rejected if product does not meet the above requirements

Refund requests for the 30-day money back guarantee expire 30 days after opening a warranty claim. It is not possible to process a request for a refund for non-quality issues for items that have expired this 30-day window. For purchases not made directly through Womow's online stores, please contact retailers for refunds. For quality-related issues, please see below.

WHAT IS COVERED ?

Your Womow machine has a 1-year warranty against original defects in material and workmanship. This warranty provides, at no extra cost to you, all labor and parts necessary to ensure your machine is in proper operating condition during the warranty period.

WHAT IS NOT COVERED ?

Machines purchased from an unauthorized dealer.

Products without sufficient proof of purchase.

Items that have expired their warranty period.

Non quality-related issues. (after 30 days of purchase)

Careless operation or handling, misuse, abuse and/or lack of maintenance or use not in accordance with the Womow Instruction Manual.

Use of the machine other than for normal domestic purposes within the United States, e.g. for commercial or rental purposes.

Use of parts and accessories other than those produced or recommended by Womow.

Repairs, alterations or modifications carried out by unauthorized parties or agents.
Normal wear and tear, including normal wearing parts, such as clear bin, belt, HEPA, brush bar, hose assembly and power cord (or where external damage or abuse is diagnosed), carpet or damage due to use not in accordance with manufacturer's instructions.

Reduction in battery discharge time due to battery age or misuse.

WARRANTY SERVICE

Please contact the Womow customer service Email : service@womow.net.

Please inform us your model name/number, purchase date, Amazon order number (if necessary) and issues.

Any replaced defective parts will become the property of WOMOW. Service under this warranty will not extend the period of this warranty.

For more information about Womow product:

VISIT WOMOW WEBSITE:

WWW.WOMOW.NET

OR EMAIL CUSTOMER SUPPORT:

SERVICE@WOMOW.NET

Manufacturer's warranties may not apply in all cases, depending on factors such as use of the product, where the product was purchased, or who you purchased the product from.

Please review the warranty carefully, and contact the manufacturer if you have any questions.



Disposal

If the device is to be disposed of, the batteries should be removed. Used batteries should never be disposed of with household waste. These should always be taken to a recycling station.

WOMOW

CORDLESS VACUUM CLEANER W20