



# Owner's Manual



Wicker colour may be different than shown.

LP Cylinder not included.



Model number FMPPC2E-1  
Series number 401  
© 2017 FMI Brands Inc.  
Patent Pending



**FMI BRANDS INC.**  
107 – 19052 26 Avenue | Surrey, B.C. Canada V3Z 3V7 | Toll Free 1-888-514-1663 | Fax 1-888-797-9931

D.401.000.V4



Model number FMPPC2E-1, Series number 401 - Tested by CSA International

**! DANGER:**

If you smell gas:

1. Shut off gas to the appliance.
2. Extinguish any open flame.
3. If odour continues, keep away from the appliance and immediately call your gas supplier or fire department.

**! WARNING:**

Do not store or use gasoline or other flammable vapors and liquids in the vicinity of this or any other appliance.

An LP-cylinder not connected for use shall not be stored in the vicinity of this or any other appliance.

**! WARNING:**

For outdoor use only.



WARNING! HOT SURFACE!



GLASS. FRAGILE!



HANDLE WITH CARE



HEAVY OBJECT.  
TWO PERSON LIFT REQUIRED.

**! DANGER**



**CARBON MONOXIDE HAZARD**

This appliance can produce carbon monoxide which has no odour.

Using it in an enclosed space can kill you.

Never use this appliance in an enclosed space such as a camper, tent, car or home.



 **WARNING:**

Improper installation, adjustment, alteration, service or maintenance can cause injury or property damage. Read the installation, operating and maintenance instructions thoroughly before installing or servicing this equipment.

 **WARNING:**

If the information in this manual is not followed exactly, a fire or explosion may result causing property damage, personal injury or loss of life.

Installation and service must be performed by a qualified installer, service agency or the gas supplier.

**LP SAFETY:**

- a. Do not store a spare LP-gas cylinder under or near this appliance.
- b. Never fill the cylinder beyond 80 percent full.
- c. If the information in “(a)” and “(b)” is not followed exactly, a fire causing death or serious injury may occur.

Do not use this appliance under overhead combustible surfaces.

**MINIMUM CLEARANCES:**

- **Bottom:** Non-Combustible Surface
- **Top:** 80 inches
- **Sides:** 36 inches
- For Installation on (or over) non-combustible floors only

**Max. Input:** 35,000 BTU/h

**Max Gas Supply Pressure:** 250 PSI

This appliance shall be used only outdoors in a well-ventilated space and shall not be used in a building, garage or any other enclosed area.

If this appliance is not in use, the gas must be turned off at the supply cylinder.

Indoor storage of this appliance is permissible only if the cylinder is disconnected and removed from the appliance.

Cylinders must be stored outdoors in a well-ventilated area out of the reach of children.

Disconnected cylinders must have threaded valve plugs tightly installed and must not be stored in a building, garage or any other enclosed area.

The gas pressure regulator provided with this appliance must be used, and must be the same model as supplied with the unit.

The cylinder supply system must be arranged for vapor withdrawal.

Cylinders used with this unit must have a collar to protect the cylinder valve.

An approved LP-Cylinder stabilizer, such as the stabilizer ring included, must be used when the appliance is in use.

Replacement parts and a list of such parts are available from FMI Brands Inc. through the contact information provided on the last page of this Manual.

 **WARNING:**

**Please ensure that all adults and children which use or are near a unit in use are aware of the hazard of high-surface temperatures present on the unit during use and should use caution and stay away to avoid burns or clothing ignition.**

**Carefully supervise young children in the area of this appliance. Clothing or other flammable materials should not be hung from the appliance or placed on or near the appliance. Any guard or other protective device removed for servicing the appliance must be replaced prior to operating the appliance.**

**Installation and repair should be done by a qualified service person. The appliance should be inspected before use and at least annually by a qualified service person. More frequent cleaning may be required as necessary. It is imperative that control compartment, burners and circulating air passageways of the appliance be kept clean.**



# Owner & Safety Manual

## LP CYLINDER:

All LP cylinders to be used with this appliance must be:

- a. Constructed and marked in accordance with the specifications for LP-gas cylinders Standard, *CAN/CSA B339, Cylinders, Spheres and Tubes for the Transportation of Dangerous Goods*.
- b. Provided with a listed overfilling prevention device.
- c. Provided with a cylinder connection device compatible with the connection for outdoor cooking appliances.
- d. Only a 20 lb. (9 kg) LP gas cylinder is to be used for this appliance, approximately 18" (46 cm) high & 12" (30 cm) diameter.
- e. The use of an approved LP gas cylinder stabilizer, such as the one included, must be used when using this appliance in order to prevent the LP gas cylinder from tipping over.

## ENCLOSURES FOR SELF-CONTAINED LP GAS SYSTEMS:

An enclosure for an LP-gas cylinder shall be ventilated by openings at both the upper and lower levels of the enclosure. This shall be accompanied by one of the following:

- a. One side of the enclosure shall be completely open; or
- b. For an enclosure having four sides, a top, and a bottom:

At least two ventilation openings (see Part IV, Definitions) shall be provided in the sidewalls of the enclosure, located within 5 in (217 mm) of the top of the enclosure, equally sized, spaced at a minimum of 90 degrees (1.57 rad), and unobstructed. The opening(s) shall have a total free area of not less than 1 in<sup>2</sup> per lb (14.2 cm<sup>2</sup> per kg) of stored fuel capacity.

Ventilation opening(s) shall be provided at floor level of the enclosure and shall have total free area of not less than 1/2 in<sup>2</sup> per lb (7.1 cm<sup>2</sup> per kg) of stored fuel capacity. If ventilation openings at floor level area are in the side wall, there shall be at least two openings. The bottom of the openings shall be 1 in (25.4 mm) or less from the floor level and the upper edge no more than 5 in (127 mm) above the floor level. The openings shall be equally sized, spaced at a minimum of 90 degrees (1.57 rad), and unobstructed.

Every opening shall have minimum dimensions so as to permit the entrance of a 1/8 in (3.2 mm) diameter rod. Ventilation openings in sidewalls shall not communicate directly with other enclosures of the appliance.

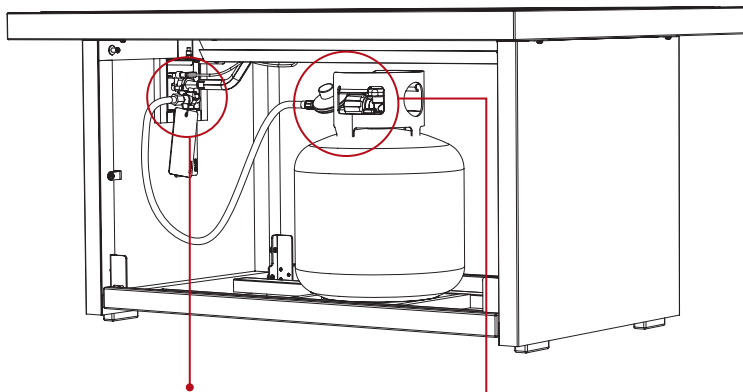
## CONNECTION:

1. Be sure the cylinder valve and appliance valves are "off".
2. Place full LP gas cylinder on tank stabilizer ring. Secure the base of the LP gas cylinder by hand tightening the wing-nut collar.
3. Center the nipple in the cylinder valve and hold in place.
4. Using the other hand, turn the hand wheel clockwise until there is a positive stop. Do not use tools.
5. **Hand tighten only. When making the connection, hold the regulator in a straight line with the cylinder valve, so as not to cross thread the connection.**
6. Leak test the connection.

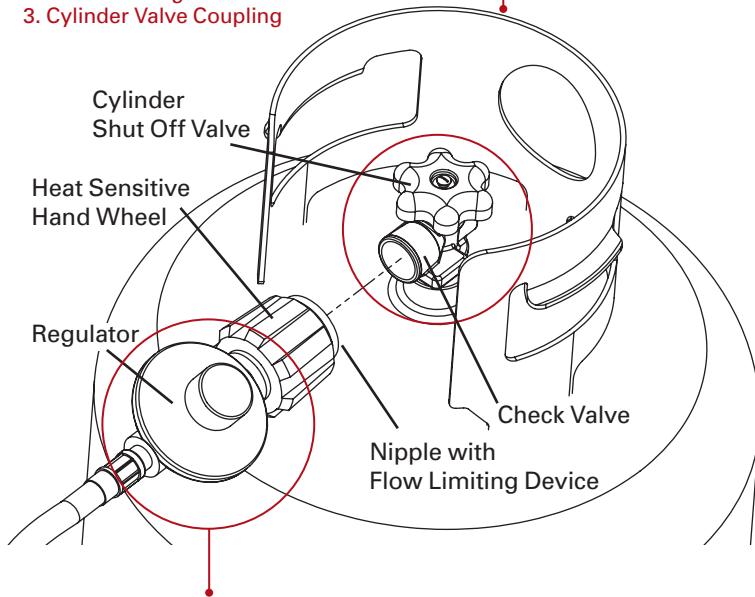
## LEAK TEST:

1. DO NOT USE OR PERMIT SOURCES OF IGNITION IN THE AREA WHILE DOING THE LEAK TEST. THIS INCLUDES SMOKING.
2. Leak testing should be done once per year or whenever the LP gas cylinder or any other gas system part is taken apart, serviced or replaced, whichever is more frequent.
3. Ensure all gas system coupling joints are tight and properly attached.
4. Prepare a leak testing solution of half liquid detergent and half water.
5. Apply the solution to the LP gas delivery system at points as shown in illustration indicated on page 4.
6. The leak(s) must be stopped by tightening the loose joints, if possible, or by replacing the faulty part(s) with the part(s) recommended by the appliance manufacturer.

Should you have any questions or comments regarding this appliance, please do not hesitate to contact FMI Brands Inc. at (888) 514-1663 or E-Mail to [info@outlandliving.com](mailto:info@outlandliving.com)



**LEAK TEST:** Apply the solution to the LP gas delivery system at points:  
 1. Fire Table Valve Coupling  
 2. Gas Hose Regulator  
 3. Cylinder Valve Coupling



**LEAK TEST:** Apply the solution to the LP gas delivery system at points.  
 Fire Table valve coupling; gas hose regulator & cylinder coupling.

**! WARNING:**

If the information in this manual is not followed exactly, a fire or explosion may result causing property damage, personal injury or loss of life. Installation and service must be performed by a qualified installer, service agency or the gas supplier.

**THE APPLIANCE IS NOT TO BE USED UNTIL ANY LEAK IS CORRECTED.**

A gas appliance repairman or LP gas dealer should be called if attempts to stop the leak(s) are unsuccessful and, in such case, the LP gas supply must be shut off at the cylinder valve or the cylinder must be removed from the appliance until the leak(s) is corrected.

Inspect hose prior to each use of the unit. To gain access for inspection remove the side panels. To remove each side panel, simply use pull rings and lift panel away. Refer to assembly instructions for visual diagrams. The hose assembly must be replaced prior to the appliance being put into operation if there is evidence of excessive abrasion or wear, or if the hose is damaged. Contact FMI Brands Inc. should you require a replacement hose.

Inspect burner prior to each use. Burner must be replaced prior to the appliance being put into operation if there is evidence of damage. Replacement burners are available from FMI Brands Inc.

Should any part of this appliance (including the burner) become soiled or dirty, wipe lightly with a damp cloth. Do not use flammable or corrosive cleaning products on or near this unit.

Ensure that gas hose is placed in an area where it is unlikely to be tripped over (such as pathways or trails) or subject to other accidental damage.

Keep the appliance area clear and free from combustible materials, gasoline and other flammable vapors and liquids.

Solid fuels shall not be burned in this appliance.

Installation must conform with local codes or, in the absence of local codes, with either the *National Fuel Gas Code, ANSI Z223.1/ NFPA 54, Natural Gas and Propane Installation Code, CSA B149.1 or Propane Storage and Handling Code, B149.2, or the Standard for Recreational Vehicles, ANSI A 119.2/NFPA 1192, and CSA Z240 RV Series, Recreational Vehicle Code, as applicable.*

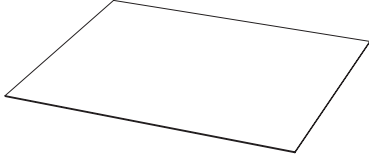
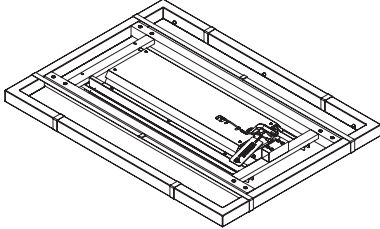
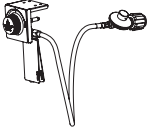
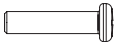
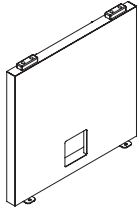
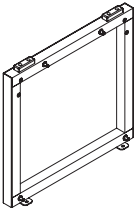
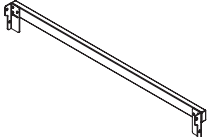
**NOTE TO INSTALLER:**

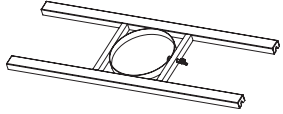
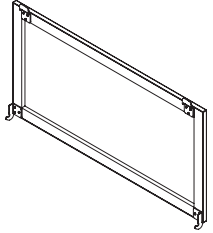
**Leave this guide with the consumer.**

**NOTE TO CONSUMER:**

**Please retain this guide for future use.**

## Supplied parts & hardware list:

PART #	DESCRIPTION	QUANTITY	PICTURE
1	Assembly Work Surface (Top Foam Packing Insert)	1	
2	Table Top Frame with Tempered Glass	1	
3	Gas Valve, Gas Hose And Regulator Mounting Bracket Assembly	1	
4	M6 screw	20	
5	End Panel With Gas Valve Hole Pocket	1	
6	End Panel	1	
7	Cross Bar	2	

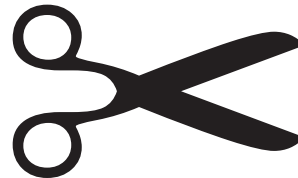
PART #	DESCRIPTION	QUANTITY	PICTURE
8	Propane Cylinder H-Frame Support	1	
9	Side Panel	2	
10	Glass Fire Rocks	1 bag	

## Required Tools (Not Supplied):

Cross (Philips) Screwdriver



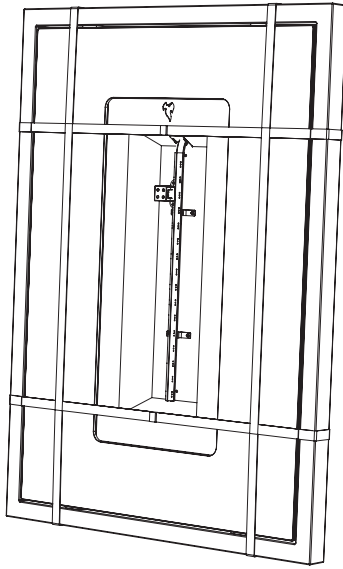
Scissors



## SECTION 1: ASSEMBLY

### **WARNING:**

DO NOT CUT STRAPS WITH TABLE TOP STANDING UP.



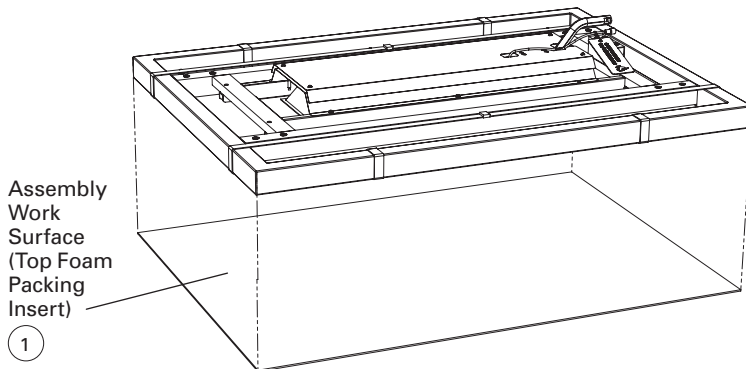
### STEP 1

\*\*\*Resist the urge to cut straps until STEP 6\*\*\*

Lay the table top frame with tempered glass on a flat non-marking surface. Use cardboard or foam provided in packing box as a work surface.

- Assembly Work Surface (Top Foam Packing Insert) (part 1)
- Table Top Frame with Tempered Glass (part 2).

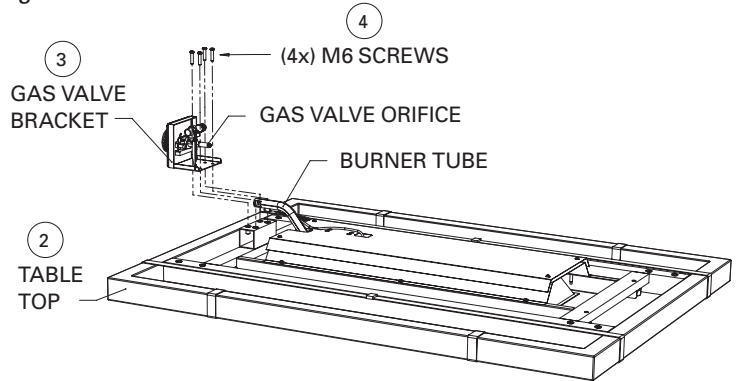
**EXTREME CAUTION!** The fire table top tempered safety glass may explode if contact is made with uneven ground, especially ceramic tile! Always place a flat cardboard, foam or blanket work surface underneath when assembling the fire table, especially on ceramic tile.



### STEP 1A

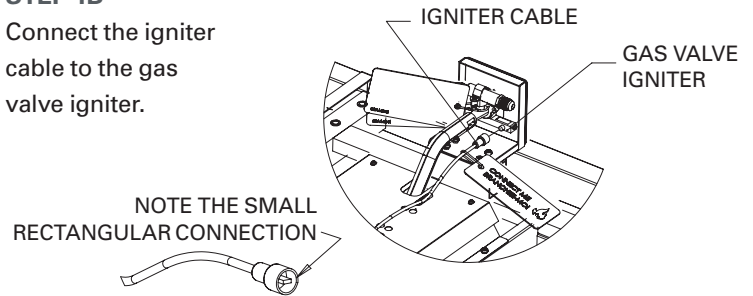
Align gas valve orifice inside burner tube. Loosely install the gas valve bracket (part 3) to the table top frame (part 2) with 4 screws (part 4), but do not tighten.

**NOTE:** to simplify the assembly drawings the gas hose with regulator is not shown.



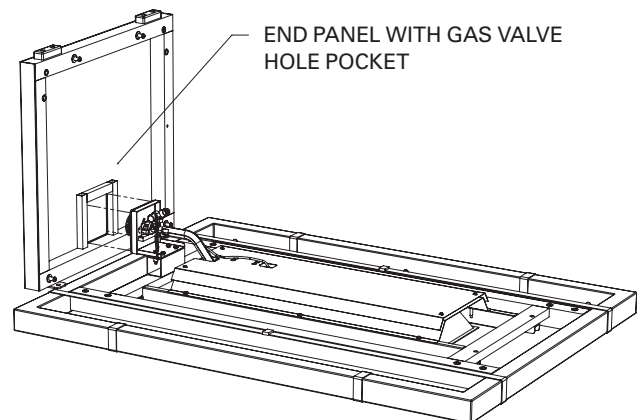
### STEP 1B

Connect the igniter cable to the gas valve igniter.



### STEP 2A

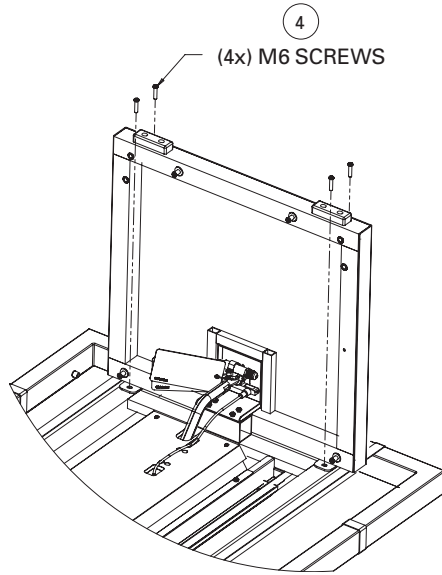
With gas valve installed loosely, tuck the end panel under the gas valve bracket, so the gas valve bracket fits through the pocket hole in the end panel.



## SECTION 1: ASSEMBLY (continued)

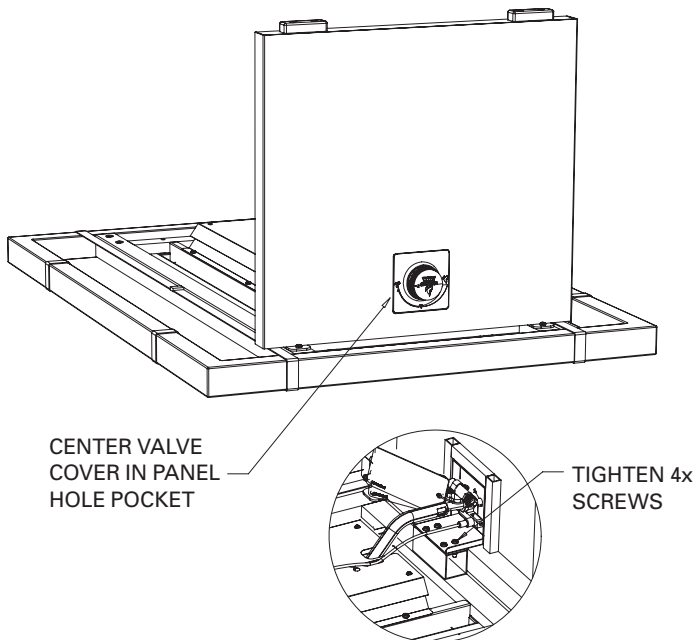
### STEP 2B

Fix the end panel to the table top with 4 screws.



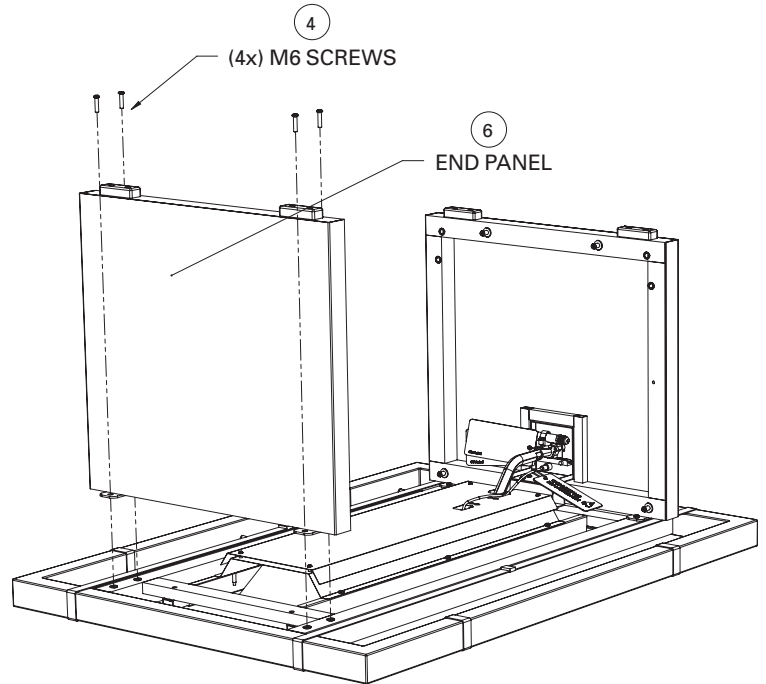
### STEP 2C

Once the end panel is firmly installed, ensure the gas valve bracket is aligned and centred in the pocket hole, then firmly tighten the 4 screws holding the gas valve bracket.



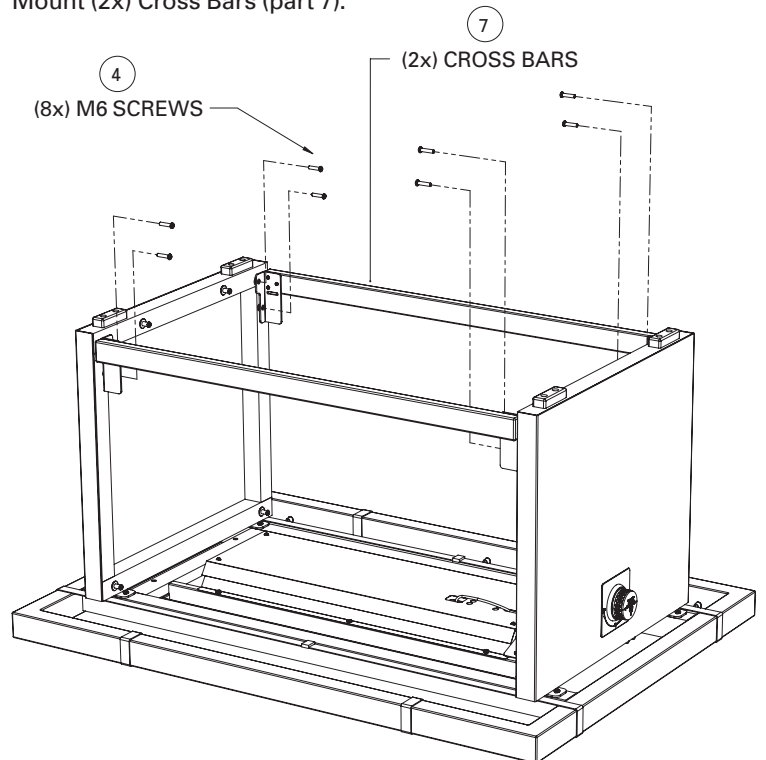
### STEP 3

Mount End Panel.



### STEP 4

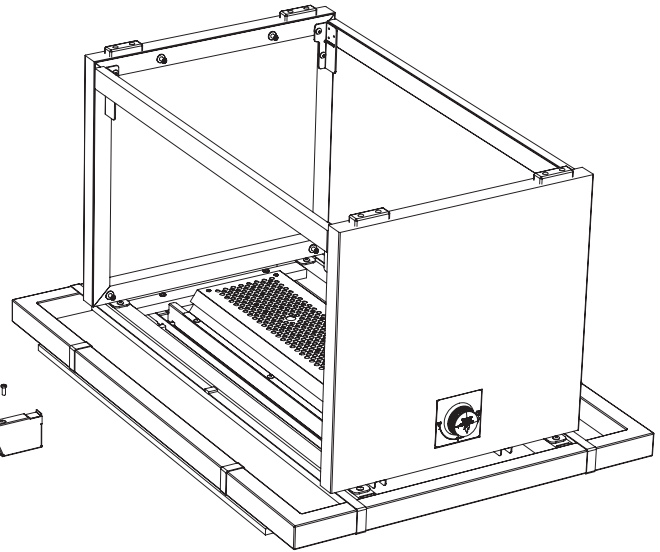
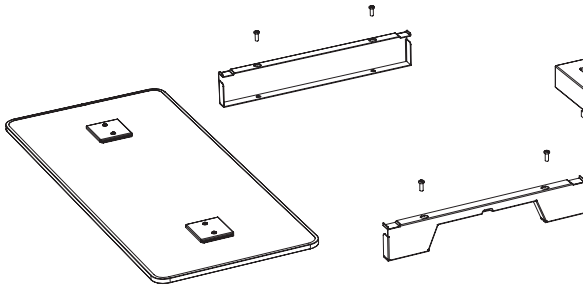
Mount (2x) Cross Bars (part 7).



## SECTION 1: ASSEMBLY (continued)

### ATTENTION:

At this point, if you have purchased the Glass Lid accessory, you should install your glass lid mounting brackets now, before Step 5. Refer to your glass lid instruction manual for installation instructions. Hey, don't worry if you don't have your glass lid yet, there is still time to order one! Contact information is at the back of the manual. For now, proceed with your current installation and you can install the necessary parts later. It's a bit more time and effort down the line, but it'll be worth the investment!

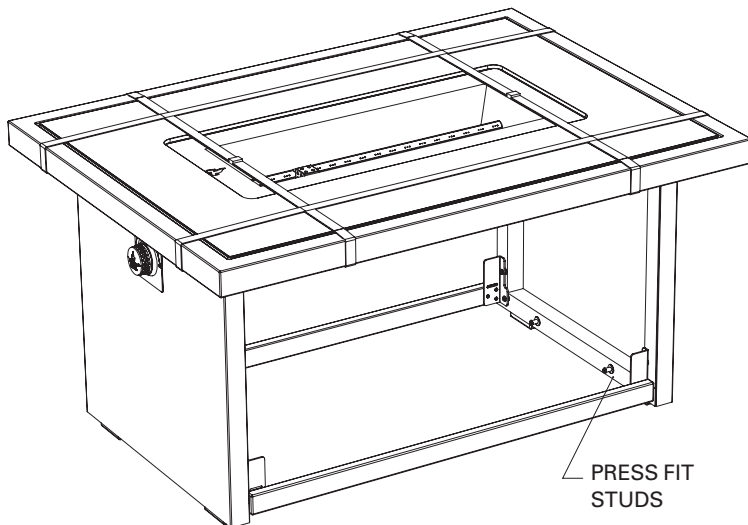


#### STEP 5A

Turn fire table upright. Locate the (4x) press-fit studs approximately 2 inches (50mm) from floor.

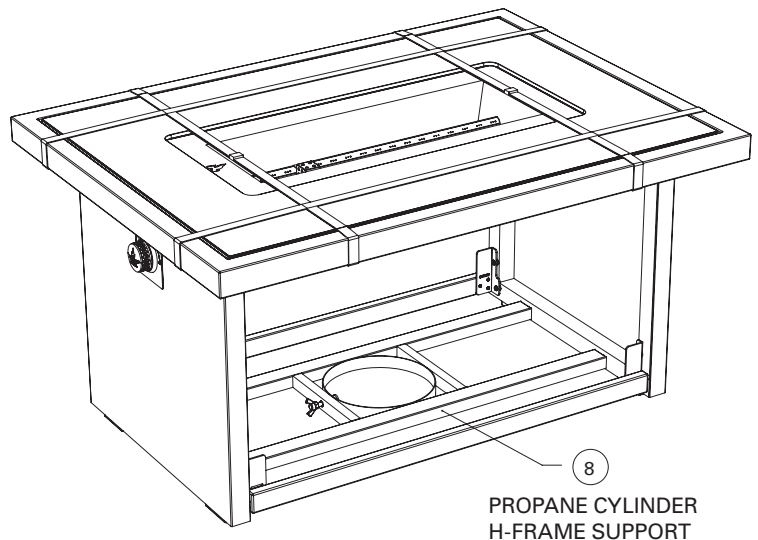


HEAVY OBJECT.  
TWO PERSON LIFT REQUIRED.



#### STEP 5B

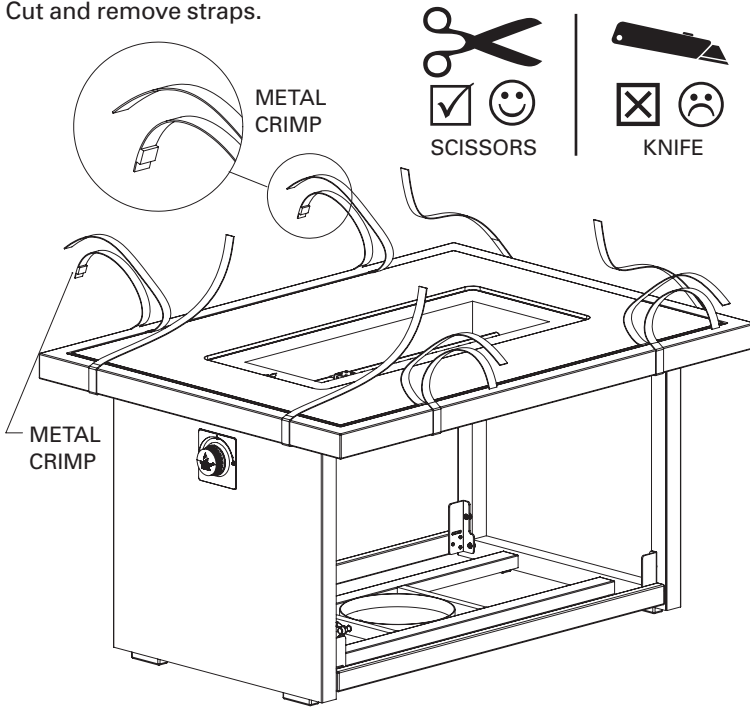
Press-fit the cylinder H-frame support (part 8) on studs.



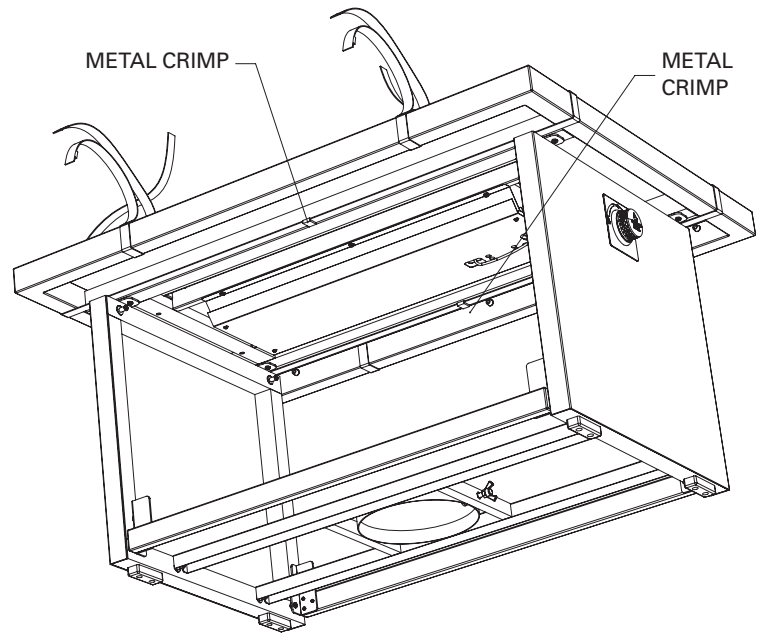
## SECTION 1: ASSEMBLY (continued)

### STEP 6

Cut and remove straps.



**CAUTION!** Watch for metal crimps located UNDER TABLE when removing straps.

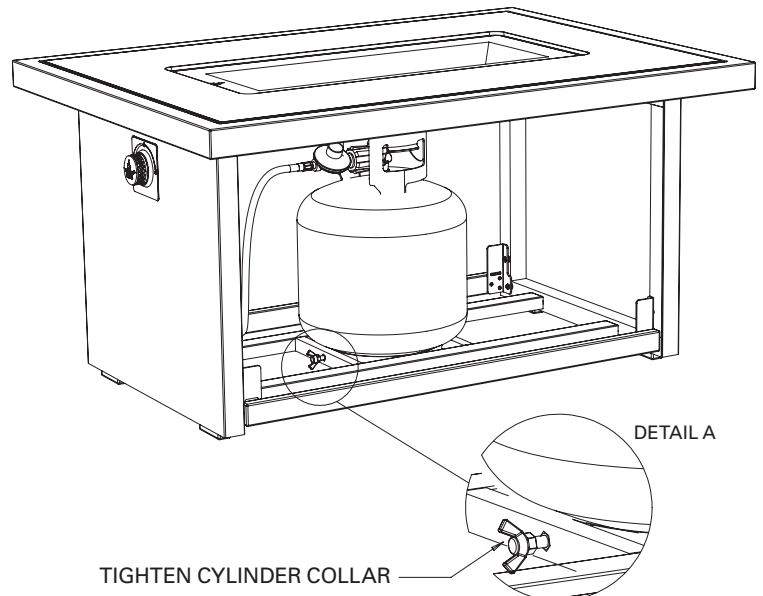


**CAUTION!** Watch for metal crimps. Avoid damaging the wicker when removing straps.

### STEP 7: PROPANE CYLINDER ASSEMBLY

Place an approved 20lb propane cylinder in to cylinder ring (Part 8). Couple the supplied gas regulator to the propane cylinder (see section labeled "Connection"). Perform LEAK TEST on all gas couplings (see section labeled "Leak Test").

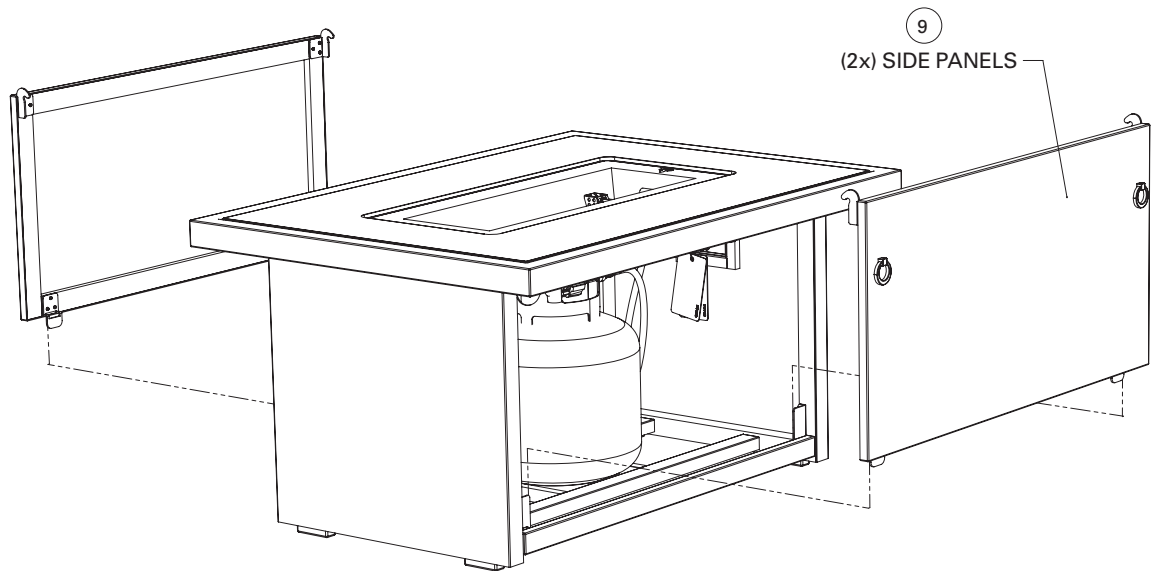
Once all connections are verified to be secure, hand tighten the cylinder collar to affix cylinder.



### STEP 8: SIDE PANEL ASSEMBLY

Assemble (2x) Side Panels (part 9) by fitting side panel tabs on cross bars (part 7) and pushing closed.

To remove, simply use lift-rings and lift panel away.



### STEP 9: GLASS ROCKS ASSEMBLY

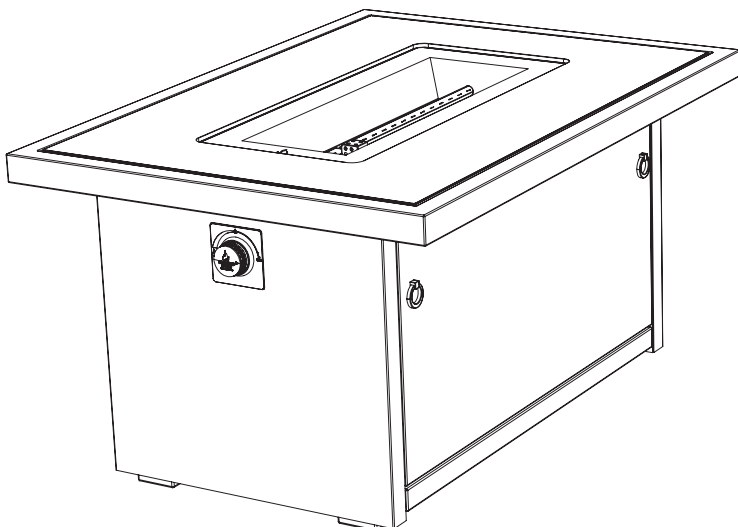
Open bag of Glass Rocks and arrange neatly and evenly in the burner tray. Ensure igniter cover is not covered by glass rocks (see photo). This helps air circulate. Take care to keep rocks out of the igniter cover. Keep igniter clean of dust. For best flame results adjust the rocks to expose the burner tube holes.

Our preferred configuration is pictured here.



### STEP 10

Your OUTLAND Fire Table is assembled and ready for use.



#### **WARNING:**

Never handle glass rocks which have not been allowed to cool from exposure to flame. Never attempt to rearrange rocks while unit is ignited.

*NOTE: Rocks are not to exceed 7kg or 15.5lbs.*

*NOTE: Never use a lid or cover to extinguish the flame on your Fire Table.*

#### **WARNING:**

Avoid glass dust. Always wear gloves to handle rocks; caution for glass dust when handling; use a rag to wipe glass dust. Glass dust may result during shipping.

#### **NOTE TO USER:**

**Before igniting the unit for the first time, follow steps one through 5 in the below Ignition section.**

## SECTION 2: IGNITION

### STEP 1

Ensure that unit valve dial is in the "OFF" position by pushing and turning clockwise until the dial stops.



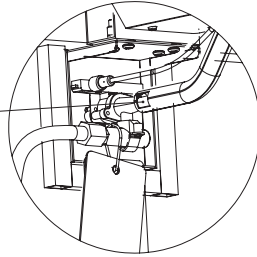
### STEP 2

Connect the LP gas cylinder. See section labelled 'Connection'.

### STEP 3

Ensure the gas hose is not contacting the top of the Fire Table enclosure and the tank is stabilized in the collar with the wing nut.

**Caution:** Always ensure the gas valve orifice and burner tube venturi is clear of all debris including spider webs.



### STEP 4

\*\*\***SLOWLY**\*\*\* turn cylinder valve to the open position to avoid tripping the excess flow safety device in the gas regulator. For more information about the excess flow safety device see Section 3 (page 12).

### STEP 5

Leak Test all connections. See section labeled "Leak Test".

### STEP 6

Your Fire Table is equipped with an auto spark ignition (piezo ignition). Push the knob in and slowly turn counter-clockwise to the high position. The ignitor will spark and ignite the gas.

Should the appliance fail to ignite on the first try, promptly repeat the ignition attempt within 5 seconds. If a third attempt fails to ignite the Fire Table then rotate the knob to the "off" position and wait 5 minutes before attempting to ignite again.

**WARNING:** Ensure that no parts of your body, clothing, or any other combustible material are above the burner before, during and after ignition. Ensure the cover is stored safely away from the Fire Table when the Fire Table is in use.

## FIRE TABLE WON'T LIGHT? IGNITION PROBLEM? IGNITION TROUBLESHOOTING

### STEP 1

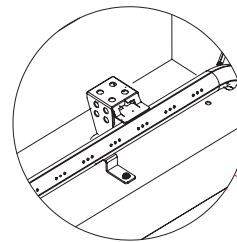
Wait 5 minutes for any gas to dissipate. Locate the igniter cable under table. Ensure the igniter cable is firmly attached to the gas valve. Follow the ignition sequence again. If still no results after three tries move to step 2 below.

### STEP 2

Turn the gas cylinder valve to the 'Closed' position. Wait 5 minutes for any gas to dissipate. Ensure igniter cover is not covered by glass rocks. This helps air circulate. Inspect the ignition electrode (under igniter cover) to ensure it is free from dust and not blocked by glass rocks or other debris. Use a dry clean cloth or tissue to very lightly wipe clean igniter tip.

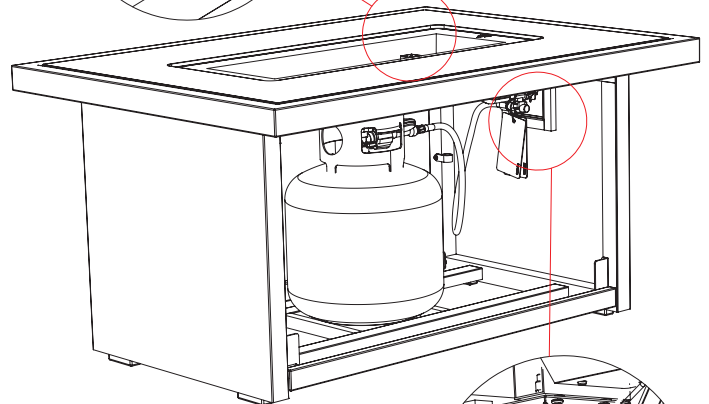
**WARNING HAZARD:** USE A TOOL OR WEAR GLOVES TO MOVE GLASS ROCKS. AVOID BLOWING GLASS DUST IN THE AIR.

After waiting for 5 minutes, visually inspect the spark by rotating the knob to high without turning the gas back on at the cylinder. Ensure the spark gap is 3 - 5mm (1/8" - 3/16") from the burner port and has a clear path. Once you ensure the igniter is operating properly repeat the ignition sequence in section 2.

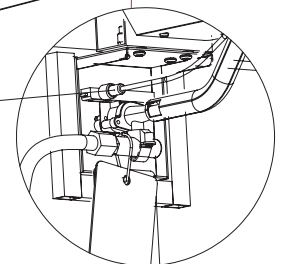


ENSURE IGNITER (UNDER IGNITER COVER) IS FREE FROM DUST AND NOT BLOCKED BY GLASS ROCKS

**CAUTION:** Watch for glass dust



ENSURE IGNITER CABLE IS FIRMLY ATTACHED



## SECTION 2: IGNITION (continued)

### STEP 7

Once the unit is burning normally set the dial to desired flame height.



### STEP 8 PERIODIC INSPECTION OF BURNER FLAMES



Upon igniting the appliance, visually verify that the burner is indeed burning as demonstrated in the image to the left. The presence of flames will confirm that the burner is burning. Periodically check that the burner flame is present

during operation by visually inspecting the burner to ensure the presence of flames.



If there are no flames present, as demonstrated in the image to the left, the appliance is likely not burning. If this is the case, IMMEDIATELY turn the valve to the "off" position if it is not already and repeat the ignition procedure as outlined in Section 2.

## SECTION 3: GOT A LOW FLAME?

### STEP 1

Check propane level. If less than half full replace the cylinder. Repeat the ignition sequence in section 2.

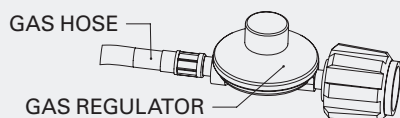
### STEP 2

If the propane cylinder is full and your Fire Table experiences low flame, or flame height does not appear to be normally adjusted by the gas knob, it is likely that the excess flow safety device has been tripped in the hose regulator.

### CORRECTIVE ACTION

- Close propane cylinder valve.
- Open and then close Fire Table gas knob valve to release pressure.
- Disconnect and reconnect the propane cylinder valve connection.
- Slowly open propane cylinder valve.
- Perform Leak Test and follow Ignition sequence.

### WHAT IS AN EXCESS FLOW SAFETY VALVE? (EFV)



The EFV is a safety mechanism contained within every propane gas regulator. The purpose of the EFV is to restrict the gas supply if too much gas is flowing too quickly through the gas hose. For example this could happen if the gas hose was severed. It is normal that your Fire Table EFV trips if you open the propane tank valve too quickly or if you leave the Fire Table gas knob open before lighting, or both.



# Owner & Safety Manual

## SECTION 4: EXTINGUISHING THE APPLIANCE

### STEP 1

Access the Fire Table interior. Turn the gas cylinder valve to the 'Closed' position.

### STEP 2

Turn the gas knob on the Fire Table to the 'OFF' position by pushing and turning the knob clockwise.

### STEP 3

Allow unit to cool for at least five (5) minutes before relighting.

## SECTION 5: FIRE TABLE MAINTENANCE

Your Outland Fire Table requires periodic maintenance to keep it in good running order. Follow the steps below to ensure your appliance will provide you with the best possible performance:

- 1 Keep your Fire Table out of the rain and store it in a dry place. Fire Table accessories such as covers can be purchased at [www.outlandliving.com](http://www.outlandliving.com) or by calling 888-514-1663.
- 2 This device has been engineered to provide the maximum amount of heat and comfort. If you experience any signs of your propane cylinder 'freezing off' or start to experience lower flames than usual, please simply turn the burner control setting to low for 5–10 minutes, or replace the cylinder with a full one.
- 3 Ensure that you clean the top of your Outland Fire Table after every use to keep it looking GREAT. Simply use warm soap water to wipe down your Fire Table to keep it clean. Do not use abrasive cleaners. Especially, **DO NOT USE PETROLEUM BASED SOLVENTS TO CLEAN YOUR FIRE TABLE AS THIS WILL DESTROY YOUR WICKER RESIN TABLE MATERIAL.**
- 4 Remove any debris and leaves which may have accumulated in your Fire Table burner tray before igniting.

## **WARNING NOTES:**

- Expected burn time; the anticipated burn time for your Outland Fire Table using a full 20 lb (9kg) propane cylinder is between 12 and 18 hours depending on where the flame height is set.
- This is NOT a toy.
- The fire table will become extremely hot during operation!  
- DO NOT TOUCH THE BURNER TRAY OR GLASS ROCKS while fire table is in operation!
- Do not place ANY cover on the fire table while the fire table is in operation.
- Do not rest anything on or over the burner tray while the fire table is in operation.
- The fire table is a decorative gas appliance only. NEVER cook food on the fire table. Do not use any type of accessory as a means to cook or keep food warm on the fire table.
- Wait at least 30 minutes after turning off the fire table to allow it to cool down before touching the burner tray, or glass rocks, or putting ANY cover over the fire table.
- Please ensure that all adults and children which use or are near a unit in use are aware of the hazard of high-surface temperatures present on the unit during use and should use caution and stay away to avoid burns or clothing ignition.
- Children should be supervised at all times when using this unit without exception.
- Do not place any objects other than supplied rocks inside the burner component of the Fire Table.
- Do not add wood or any other materials to the fire.
- Your OUTLAND Fire Table is designed to safely combust propane only.
- Do not connect to a remote gas supply. Consult a certified gas technician.
- Do not use this appliance if any part has been under water. Immediately call a qualified service technician to inspect the appliance and to replace any part of the control system and any gas control which has been under water.
- Do not leave this appliance uncovered in the rain.
- Fire Table accessories such as covers, lids, wind breaks, replacement rocks and parts can be purchased at [www.outlandliving.com](http://www.outlandliving.com) or by calling 888-514-1663.
- Always inspect and clear all valve and gas orifices of any foreign debris including spider webs prior to lighting.
- Never store a spare LP cylinder inside the LP cylinder compartment.



# Owner & Safety Manual

## 1 YEAR LIMITED WARRANTY Customers in Canada and USA

All components are warranted by the manufacturer for a period of 1 year after date of purchase by the original owner against defects in materials and workmanship under normal use.

This warranty does NOT cover normal wear and weathering, assembly and/or maintenance OR use in a commercial application. At FMI Brands' sole discretion, products under warranty will be repaired and/or replaced at no charge to the customer.

Any returns sent back to FMI Brands must be sent via prepaid freight and in the original retail packaging.

Please register your OUTLAND Living product for proof of purchase and warranty at

<http://outlandliving.com/register-products/>

For more warranty information and details please contact FMI Brands Inc. at [info@outlandliving.com](mailto:info@outlandliving.com)

**FOR REPLACEMENT PARTS AND ACCESSORIES PLEASE VISIT  
[WWW.OUTLANDLIVING.COM](http://WWW.OUTLANDLIVING.COM)**

The owner's manual is available as a free download from [www.outlandliving.com](http://www.outlandliving.com)

Replacement part orders can be sent by mail to the address on the cover of this booklet, or faxed to **(888) 797-9931**. Should you have any questions or comments regarding this appliance, please do not hesitate to contact FMI Brands Inc. at **(888) 514-1663** or E-Mail to [info@outlandliving.com](mailto:info@outlandliving.com).