



Quick Setup Guide

Simple Steps to Get Your AeroGarden Up and Growing (No tools required)



AeroGarden® Sprout Plus

AeroGarden® Sprout



Welcome to the world of indoor gardening!

AeroGarden Sprout Model numbers: 100303-BLK/WHT/BLU/RED Electrical Rating: 120V~60Hz, 0.45A
 AeroGarden Sprout Plus Model numbers: 100304-BLK/WHT Electrical Rating: 120V~60Hz, 0.14A

Date Code

Keep this Guide!

2 Easy Steps

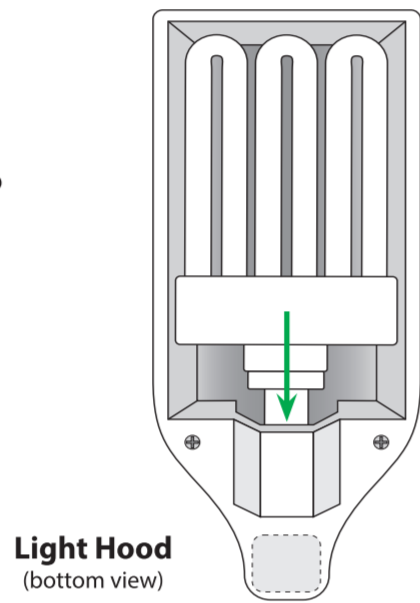
To Get Your AeroGarden Up and Growing

1 Install CFL Grow Light into Light Hood

(If you have LED Grow Light, skip this step)

Push CFL Grow Light straight into socket inside Light Hood

DO NOT TWIST LIGHT!

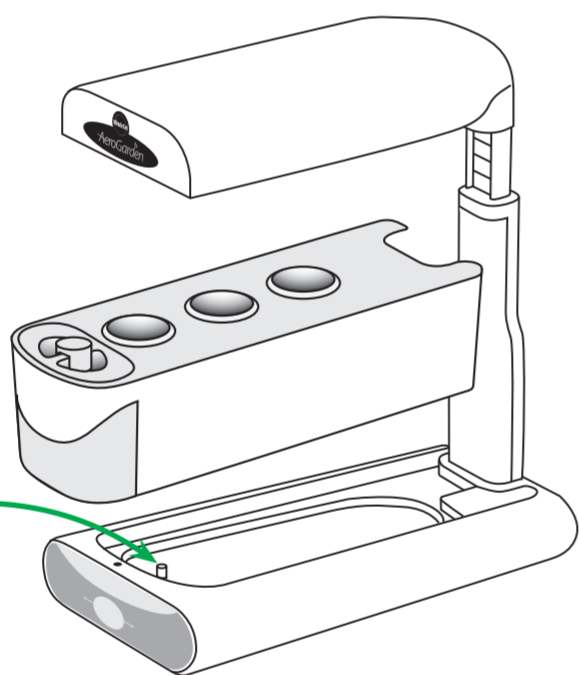


Light Hood (bottom view)

2 Set Bowl into Base

Check to be sure that Bowl is securely seated on Air Coupling in Base.

Air Coupling



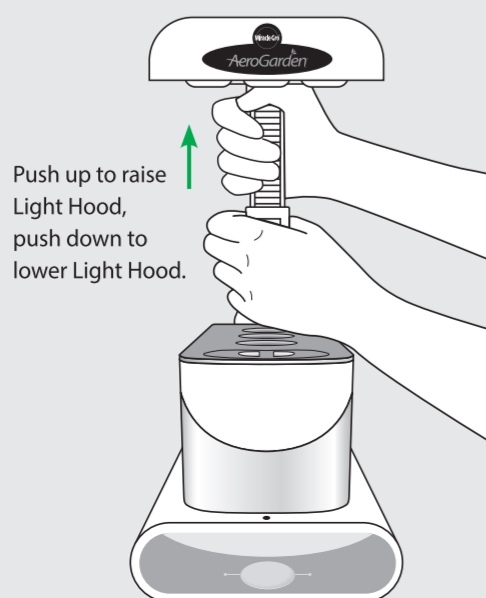
CONGRATULATIONS!
Your garden is ready to grow. It really is that easy!

For more details on planting, growing and harvesting your AeroGarden, please turn the page

How to Raise and Lower the Light Hood

To raise and lower the Light Hood, wrap one hand around the bottom of the Light Post just above the Grow Deck. Grasp the upper part of the Light Post with your other hand and push up to raise the Light Hood or push down to lower the Light Hood. The Light Post will move up or down a notch at a time with a little pressure, or you can move it up or down several notches at a time with more pressure.

When planting a new Seed Pod Kit, the Light Hood should be set to the lowest possible position. For instructions and tips about when to raise (or not to raise) the Light Hood, refer to Gardening Tips (on flip side) and/or to Seed Pod Kit Instruction booklet included in each seed kit.



IMPORTANT SAFETY INSTRUCTIONS

When using this AeroGarden electrical furnishing, basic precautions should always be followed, including the following: **Read all instructions before using this AeroGarden furnishing. SAVE THESE INSTRUCTIONS**

1. To reduce the risk of electric shock, the AeroGarden has a specific plug. Do not change the plug in any way.

DANGER – to reduce risk of electric shock:

2. Always unplug the AeroGarden from electrical outlet before cleaning or changing Grow Lights (light bulbs).

WARNING – to reduce risk of burns, fire, electric shock, or injury to persons:

3. Unplug AeroGarden from outlet before putting on or taking off parts.

4. Close supervision is necessary when an AeroGarden is used by or near children, invalids, or disabled persons.

5. Use AeroGarden only for its intended use as described in the instructions. Do not use attachments not recommended by manufacturer.

6. Never operate AeroGarden if it has a damaged cord or plug, if it is not working properly, if it has been dropped and damaged, or if it has been dropped in water. If any of these conditions occur/exist, contact www.AeroGardenSupport.com or your country's local distributor for instructions.

7. Keep cord away from heated surfaces.

8. Never operate furnishing with air openings blocked. Keep air openings free of lint, hair, and the like.

9. Never drop or insert any object into any electrical openings.

10. Do not use outdoors.

11. Do not operate where aerosol (spray) products are being used or where oxygen is being administered.

12. Do not touch moving parts or hot parts such as pumps, lights, reflective surfaces, and the like.

13. To disconnect, remove plug from outlet.

14. Do not place or submerge base, cord, plug, or Light Hood in water or other liquid to clean it.

15. Do not allow water to contact hot Grow Lights.

16. Use only approved and supplied parts and accessories. Use only AeroGarden Grow Lights with this AeroGarden model. Use of any other kind of accessory is not recommended. Replacement parts can be ordered from www.AeroGarden.com

17. Do not use AeroGarden for other than intended purpose.

18. This product is intended for household and residential use only. This product is not approved for commercial applications.

19. If supply cord is damaged, it must be replaced by manufacturer, its service agent, or similarly qualified technician in order to avoid a hazard.

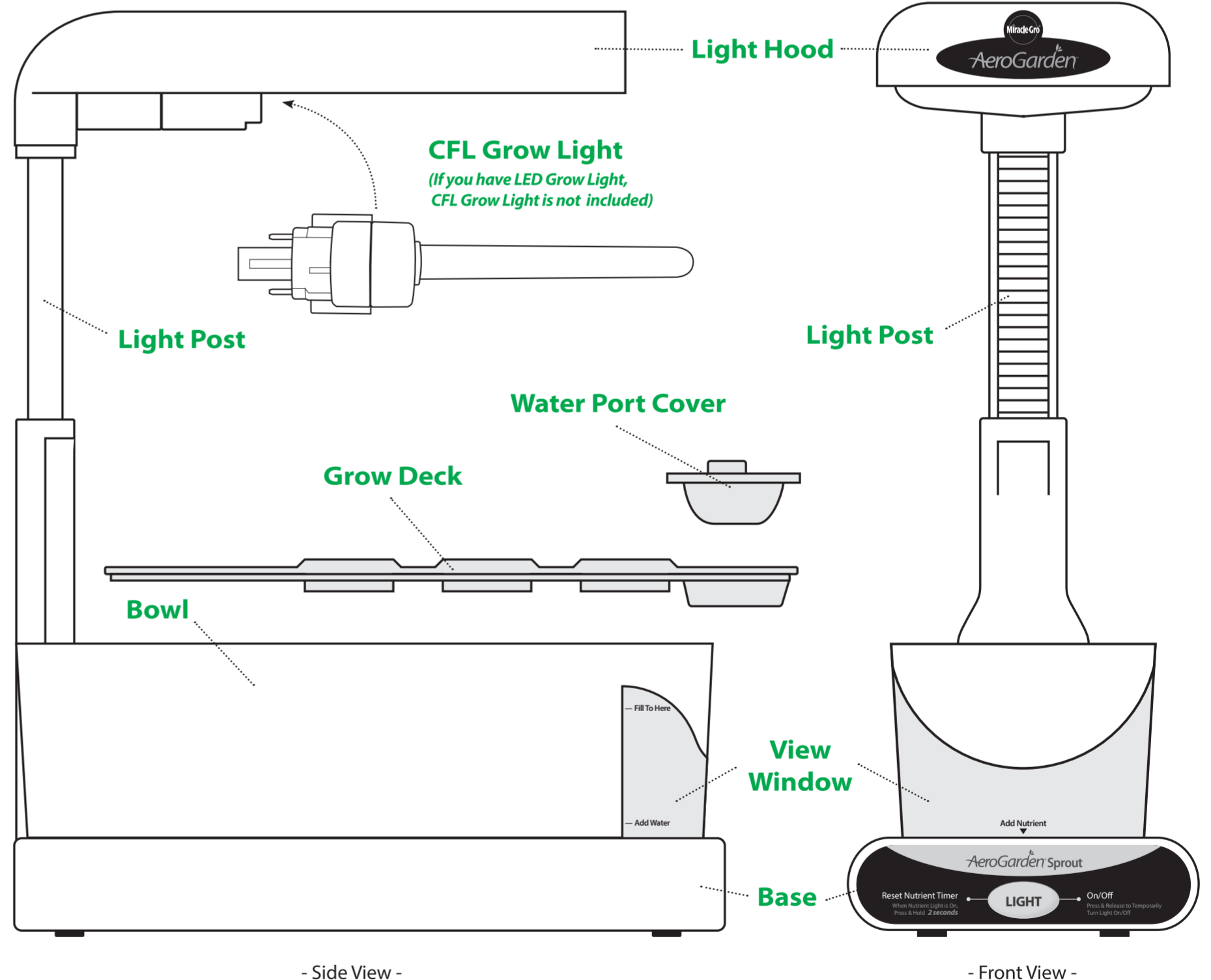
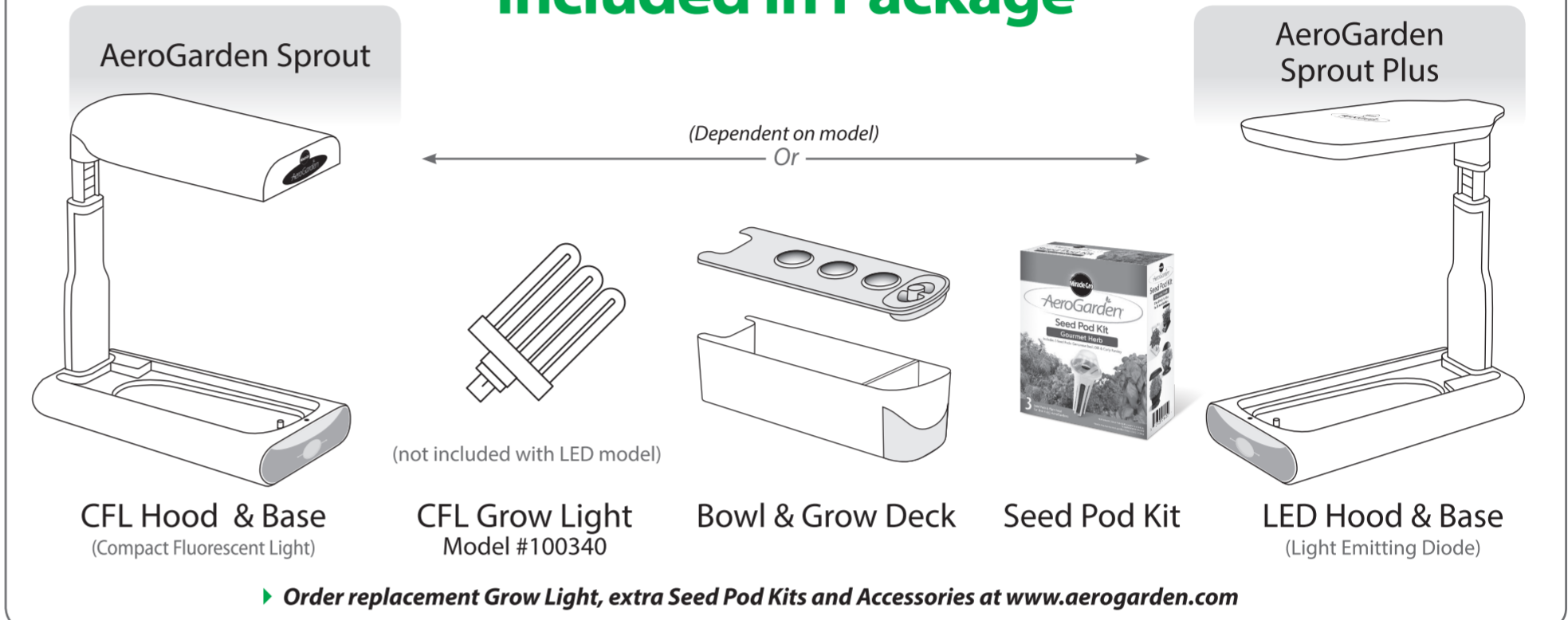
20. Electrical wiring must be in accordance with local regulations.

21. This appliance is not intended for use by persons (including children) with reduced physical, sensory or mental capabilities, or lack of experience and knowledge, unless they have been given supervision or instruction concerning use of appliance by a person responsible for their safety.

22. Children should be supervised to ensure they do not play with the appliance.

Warning: Changes or modifications to this unit not expressly approved by the party responsible for compliance could void the user's authority to operate the equipment.
Note: This equipment has been tested and found to comply with the limits for a Class B digital device, pursuant to Part 15 of the FCC Rules. These limits are designed to provide reasonable protection against harmful interference in a residential installation. This equipment generates, uses and can radiate radio frequency energy and, if not installed and used in accordance with the instructions, may cause harmful interference to radio communications. However, there is no guarantee that interference will not occur in a particular installation. If this equipment does cause harmful interference to radio or television reception, which can be determined by turning the equipment off and on, the user is encouraged to try to correct the interference by one or more of the following measures:
 —Reorient or relocate the receiving antenna. —Connect the equipment into an outlet on a circuit different from that to which the receiver is connected.
 —Increase the separation between the equipment and receiver. —Consult the dealer or an experienced radio/TV technician for help.

Included in Package



Note: Do not place beneath under-cabinet lights.



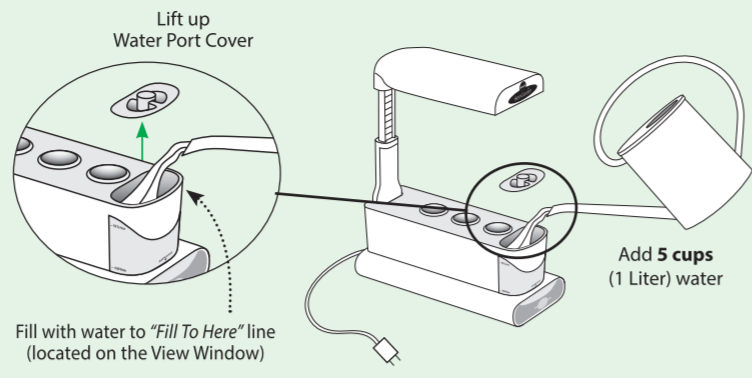
Place Your Garden...

- On a sturdy, water-tolerant surface
- Under a space that allows 16" (41cm) clearance for the full height of raised Light Hood
- Near a standard electrical outlet, per local regulations
- In a 65-80°F (16-26°C) environment (optimal)
- Away from reach of children or pets
- Away from direct sources of heat (e.g., stove, furnace vents) or cold (e.g., window drafts, A/C vents)
- AeroGardens do not need additional light or a sunny window. In fact, too much direct sunlight can overheat your plants.

NEXT: Planting Your Garden Record the planting date on a calendar or in a notebook.

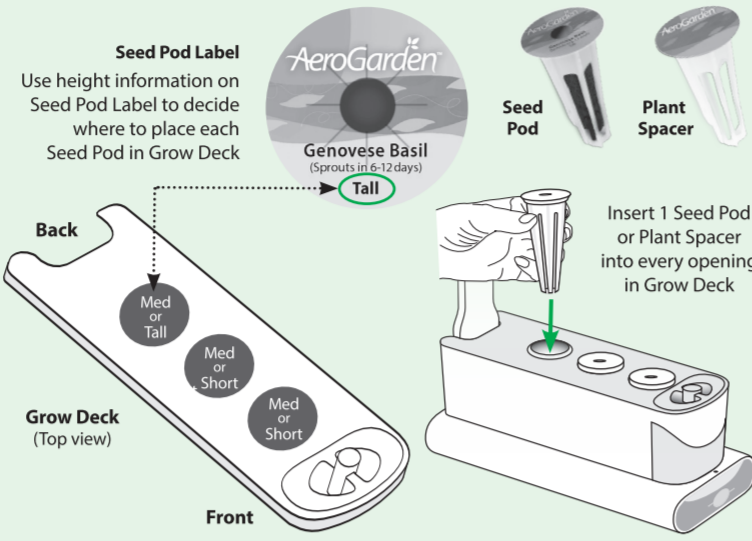
1. Add Water

- Add water to Bowl to "Fill To Here" line on View Window.
- Use room temperature tap water or bottled distilled water.
- Do not use well water which can upset the nutrient balance, or softened water, which contains levels of sodium often harmful to plants.



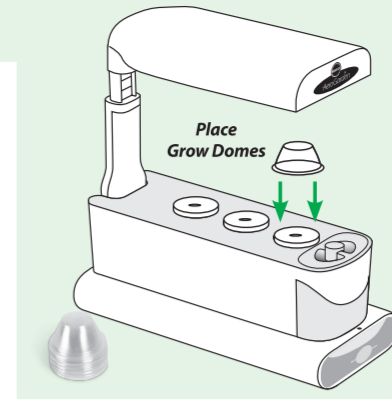
2. Add Seed Pods

- Insert Seed Pods into openings in Grow Deck.
- Seed Pod Labels often identify plant height to assist with placement. Look for height noted on Labels.
- Plants grow best and look best if medium or tall plants are in back opening, and short plants are in front opening (see diagram).
- Seed Pod Kits for Tomatoes and Peppers often include both Seed Pods and Plant Spacers. Plant Spacers allow your Tomato/Pepper plants ample room to grow.
- Do not remove Labels from Seed Pods. The labels identify the plant type and plant height, show the germination time, and inhibit algae growth.



3. Add Grow Domes

- Place a Grow Dome over each Seed Pod.
- Grow Domes rest on Seed Pods and may not 'snap' into place. It is not necessary for Grow Domes to cover any Plant Spacers in your AeroGarden.
- Leave Grow Domes on the Seed Pods until plants have sprouted and their leaves nearly touch the Domes.
- Once removed, Grow Domes may be reused/recycled.



Removing Grow Domes
When plants sprout through hole in Seed Pod Labels, and are almost touching Grow Domes, remove domes and reuse or recycle. ♻️

Reminder: Do not remove **Grow Domes** until seeds have sprouted.
NEVER REMOVE SEED POD LABELS

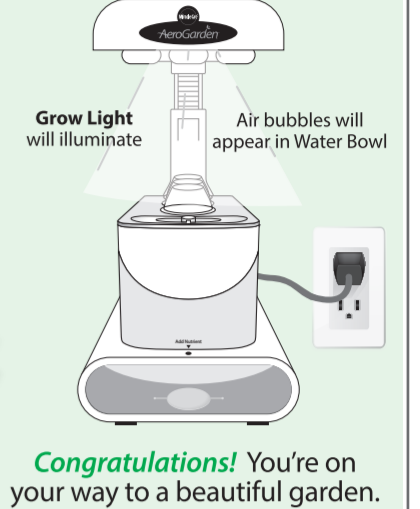
4. Add Nutrients

- Nutrient instructions are printed on the packaging, as well as in the Seed Pod Kit Instructions booklet. Read and follow the instructions carefully!
 - Use only the recommended amount of Liquid Nutrient.
 - Add nutrient directly into Bowl when first planting your Seed Pod Kit, and when the 'Add Nutrient' reminder activates (every 2 weeks).
 - Do not overfeed! More isn't better. Too much nutrient may be harmful to your plants.
- Nutrient Feeding Tip:** Always top off water level when adding Liquid Nutrients. For best results, top off the water level in your garden regularly.



Read and follow Seed Pod Kit Instructions booklet carefully!

5. Plug In Cord



Congratulations! You're on your way to a beautiful garden.

Control Panel Settings



• Add Nutrients

When 'Add Nutrient' light comes on (every 2 weeks), add Liquid Nutrients into the Bowl per directions on the nutrient packaging, and top up the water level to "Fill To Here." Press and hold the 'Light' button for 2 seconds to turn off the blinking reminder light and reset the nutrient timer.

The 'Add Nutrient' reminder is the small red light on the base, just above this control panel.

• Light On/Off

Use to occasionally override built-in light timer. Once pressed, light will stay on/off until the next time built-in light timer is set to go on/off. This will not affect the timing of your light cycle and occasional use of this feature will not harm your plants.

Note: In case of an electrical power outage, your AeroGarden has a backup memory system that stores timers for nutrient reminder. You will need to reset your Grow Light timer by following the "Personalize Your Light timer" instructions.

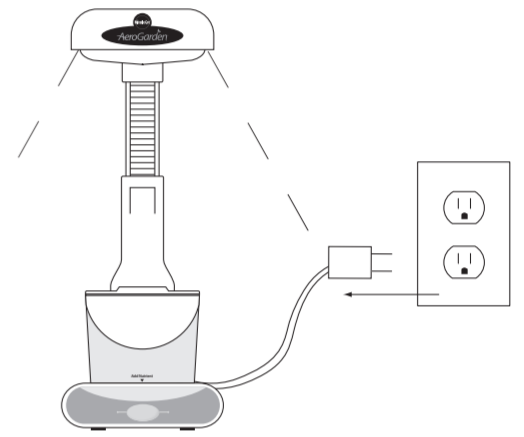
How to Personalize Your Light Timer (Optional)

When you plug in your AeroGarden for the first time the Grow Light will come on, and will continue to come on at this same time every day. If you are satisfied with the light timer you do not need to make any changes. If you would like to change the time of day when the light comes on, follow this simple step:

At the time of day you want the Grow Light to come ON:

- Use the 'Light' button to turn light ON if it is not already on. Grow Light must be ON to reset the ON time
- Press and Hold the 'Light' button for 10 seconds, then release
- The Grow Light will turn off then turn back on to confirm that the timer has been set properly

Your Grow Light will now come on at this time each day, will stay on for 16 hours, and will shut off automatically.



An Important Note About Light

Your AeroGarden Sprout has a built-in timer for the Grow Light that automatically provides your plants with "sunlight" (16 hours a day). As long as your plants get this amount of light, it does not matter what time the lights are off. Many people find it most convenient to have the light go on in the morning and off at night, to match their own personal wake and sleep schedule.



Gardening Tips for Maximum Harvests

PLANTING

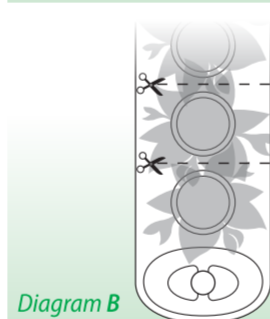
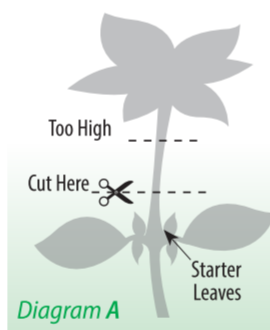
- ▶ Many Seed Pods are labeled for height. Gardens grow and look their best when tall plants are placed in back openings, and short plants in front openings. If plants are all the same size, like Salad Greens, they can be planted anywhere.
- ▶ Do not remove Labels from Seed Pods. The labels identify the plant type and plant height, show the germination time, and inhibit algae growth.
- ▶ Grow Domes help regulate moisture and temperature for optimal germination. Leave them on until plants are nearly touching the domes.
- ▶ Seed Pod Kits for large plants like Tomatoes and Peppers often receive fewer Seed Pods to compensate for the large plant size.

GERMINATION

- ▶ Some seeds germinate in less than 24 hours. Some take 24 days or more. Most labels give an estimate of how long your seeds will take to germinate but many factors impact germination.
- ▶ As a rule of thumb, if you are comfortable, so are your plants. However, plants are impacted by temperature. Cold weather plants like Salad Greens germinate better in cooler temperatures. Heat lovers like Tomatoes and Peppers will germinate faster in warmer temperatures (above 70°F). But don't sweat it! While some may take a bit more time, your seeds will germinate.
- ▶ If you are growing your own seeds, plant 5-6 seeds per pod and check the seed packet for information regarding temperature and days to germination.

PRUNING

- ▶ Prune your plants, don't raise your lights! You will achieve more compact, beautiful growth and bigger harvests if you prune to keep the lights closer to all plants in your garden.
- ▶ Fast growing plants (like Basil) make gardeners want to raise the lights too soon. Resist! Pruning the plants just above a new leaf set (Diagram A) and leaving the lights down low will ensure that slow-growing and low-growing plants get all the light they need to flourish.
- ▶ Prune often to maintain a healthy garden, but never take more than 1/3 of each individual plant at a time.
- ▶ Plants compete for light. Left unattended, more aggressive growers can actually block enough light to suppress growth of their slower growing neighbors, which eventually can die off due to lack of light. Spreading leaves must be trimmed (Diagram B) to make sure that all plants get enough light to thrive and produce big yields.
- ▶ Not pruning is the number one gardening mistake made by new AeroGardeners! Prune early and prune often — and enjoy your first small harvests! There will be plenty more to come.
- ▶ Finally, pruning = harvesting. Each time you prune you get to enjoy fresh-picked herbs in a salad, soup, on pizza or a sandwich. And a full, bushy garden looks much better than one spindly, giant plant surrounded by straggly, light-starved neighbors. Pruning also releases a wonderful scent. So prune!



WATER

- ▶ Plants grown in the AeroGarden are designed to thrive with most municipal tap water. If your water is especially hard, improved results can be seen with distilled water or reverse osmosis water, but this is not needed in most cases.
- ▶ Do not use well water or softened water. Most well water contains a high amount of dissolved solids that upset the balance of our nutrients, and softened water adds sodium. This can result in plants suddenly browning, or just not growing well.
- ▶ For best results, keep water level near the "Fill to Here" line.
- ▶ The aerator creates air bubbles in the water and runs only when the Grow Light is on.

LIGHTS

- ▶ Plants love light! Always keep your Grow Lights as close to your plants as possible. As they mature, plants should be 1-2 inches below Grow Lights.
- ▶ Always check to see if you can prune plants instead of raising the lights. After pruning, lower your lights back down if possible.
- ▶ For best growth, we recommend replacing CFL Grow Light every 6 months, as continual use can reduce their growing power.
- ▶ You do not need to replace your LED lights unless individual diodes start to fail. Diodes have a 2-5 year life span.

NUTRIENTS

- ▶ Typically, your plants will need nutrients every 2 weeks.
- ▶ Follow instructions for feeding amounts printed on the Liquid Nutrient packaging. Add nutrients directly into water bowl.
- ▶ More isn't better. Resist the temptation to add "just a little extra." Too much nutrient can hurt your plants.



- ▶ Nutrient requirements for Tomatoes and Peppers may change as plants grow. Please refer to the Liquid Nutrient packaging for specific details.
- ▶ For best results, try a "Rinse and Refill" once a month when it's time to add nutrients. Simply empty all water from the bowl, add fresh water and nutrients and reset the nutrient timer. This balances the nutrients, delivering an instant 'pick up' to plants.

POLLINATING

Because most people don't have bees in their home, you will need to start pollinating your fruiting plants (tomatoes, peppers, etc.) once they begin to flower (approximately 4 - 6 weeks after planting). To pollinate, use one or more of the following methods:

- ▶ Place an open hand inside plant branches and gently move your hand back and forth to shake the plant and spread the pollen.
- ▶ Place a fan near your plants and the moving air will pollinate your plants.
- ▶ Touch the main stem of the plants with an electric toothbrush and allow the vibration to spread the pollen.

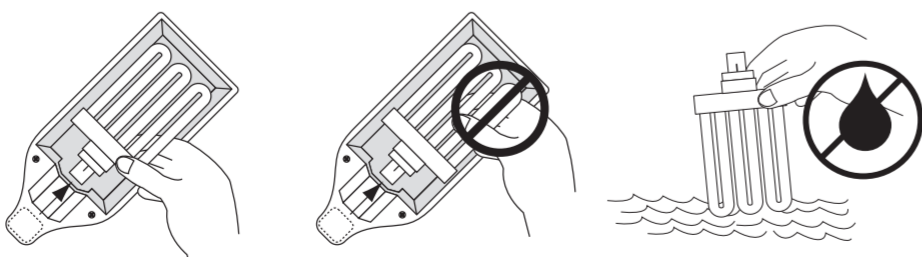
HARVESTING

- ▶ Many first-time growers are hesitant to harvest. Don't be! Most gardens will produce more, for a longer period, with frequent harvests. You almost can't begin to harvest (prune) early enough.
- ▶ AeroGardens work best with a harvesting method called "cut and come again." Simply put, you enjoy frequent small harvests and then watch as the plants rapidly regrow - ready for harvest again and again.
- ▶ Enjoy smaller harvests for the first month or two until plants mature and larger harvests are available.
- ▶ Harvest often to maintain a healthy garden, but never take more than 1/3 of each individual plant at a time.
- ▶ For Salad Greens, cut the top 2 inches off the entire garden, or harvest large leaves individually by cutting off at the base of the plant.

U.S. CAUTION – You are cautioned that any changes or modifications not expressly approved in this manual could void your authority to operate this equipment.

User Maintenance: Any servicing is to be performed by an authorized service representative. Use original packaging for storage when the appliance is not used.

Disconnect power before servicing or replacing lights. Use only AeroGarden Grow Light #100340 or AeroGarden LED Light Hood replacement.



DO NOT SUBMERGE HOUSEHOLD USE ONLY

Do not immerse cord in water or other liquid, and unplug cord from outlet when not in use.

To reduce the risk of electric shock, this furnishing has a polarized plug (one blade is wider than the other). This plug will fit in a polarized outlet only one way. If the plug does not fit fully in the outlet, reverse the plug. If it still does not fit, contact a qualified electrician to install the proper outlet. Do not change the plug in any way.

CAUTION! TO PREVENT ELECTRIC SHOCK, MATCH WIDE BLADE OF PLUG TO WIDE SLOT, FULLY INSERT.
POUR ÉVITER UN CHOC ÉLECTRIQUE, PRÉSENTER LA LAME LARGE À LA FENTE LARGE ET POUSSER JUSQU'AU FOND.



LIMITED WARRANTY

- WHAT IS COVERED** – This warranty covers any defects in materials or workmanship, with the exceptions stated below.
- HOW LONG COVERAGE LASTS** – This warranty runs for one (1) year on this AeroGarden and six (6) months on the CFL Grow Light(s), from the date of original purchase, for the original purchaser/user.
- WHAT IS NOT COVERED** – The warranty shall not apply to problems arising from: normal wear; failure to adhere to enclosed operating instructions; serial numbered products if the serial number has been removed or defaced; products subject to negligence, accident, improper use, maintenance or storage; products damaged by circumstances beyond AeroGrow International Inc's control; loss or damage to removable parts; or products modified (including, but not limited to, modifications through the use of unauthorized parts or attachments) or repaired by anyone other than AeroGrow International, Inc., or its designee. This warranty excludes all incidental or consequential damages.
- WHAT AEROGROW WILL DO** – AeroGrow International, Inc., at its option, will repair any defects in materials or workmanship or will replace these products with ones of similar features and price. AeroGrow International, Inc.'s sole obligation and your exclusive remedy under this warranty shall be limited to such repair or replacement.
- TO RETURN THIS PRODUCT** – If you have questions or concerns regarding your AeroGarden, please contact Customer Service at 1-800-476-9669. Please do not return any product without contacting AeroGrow for return authorization. Unauthorized returns, as well as C.O.D. shipments, will be refused. For more information regarding returns, please see the Returns section at www.AeroGarden.com

Due to continuing improvements, actual product may differ slightly from the product described herein. Some states do not allow the exclusion or limitation of incidental or consequential damages, so the above limitation or exclusion may not apply to you. This warranty gives you specific legal rights, and you may have other legal rights that vary from state to state.

If you have any questions please feel free to contact our customer service representatives at 1-800-476-9669.
NEED SUPPLIES, ACCESSORIES OR INFORMATION? Call: 1-800-476-9669 or Visit Our Website: www.AeroGarden.com



We also have an active Facebook Community that loves to answer questions at [facebook.com/aerogarden](https://www.facebook.com/aerogarden). "Like" us for special offers and community fun!



AeroGrow International, Inc., P.O. Box 18450, Boulder, CO 80308-1450
©2015 AeroGrow International, Inc. 083115 AA