

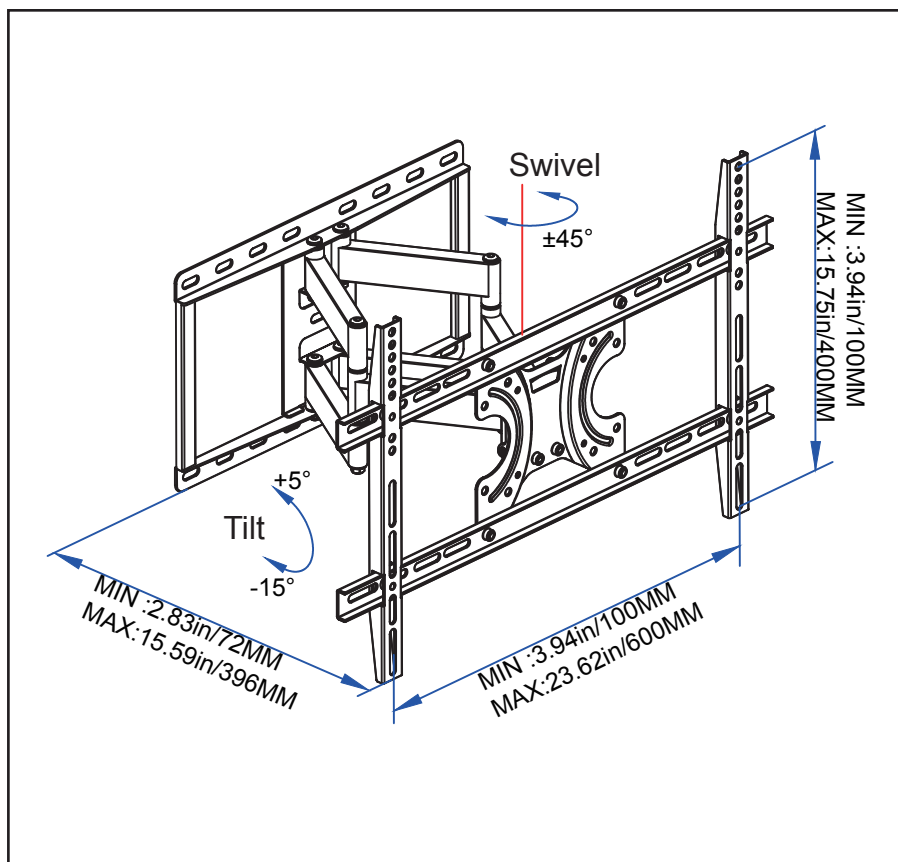
THIS INSTRUCTION BOOKLET CONTAINS
IMPORTANT SAFETY INFORMATION. PLEASE
READ AND KEEP FOR FUTURE REFERENCE.

Lot Number: _____

Date: _____

CATALYST®

Item No: 63607151



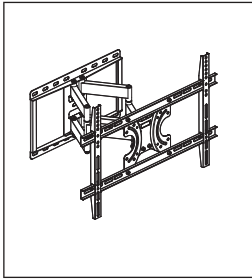
Congratulations on your Catalyst purchase. Follow these simple instructions and you'll have your TV mounted in no time.

This kit fits most TVs 42in. - 70in. (107cm - 178cm), up to 99lbs (45kgs).

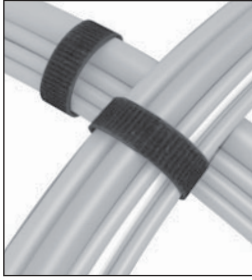
Keep this Instruction Manual for future reference.
Keep your original proof of purchase (store receipt).

If you have any questions and/or wish to order parts, please call us toll free at 800-747-2660.

Before Proceeding any further please make sure your kit has the following items.



1 x Heavy Duty Full-Motion Mount

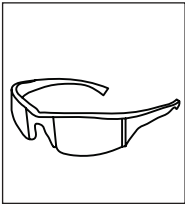
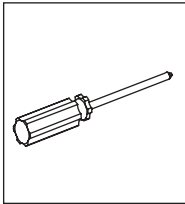
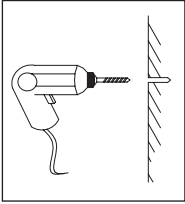
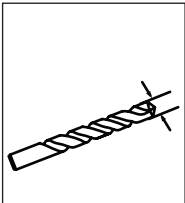
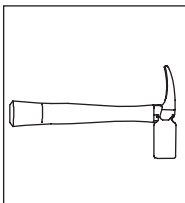
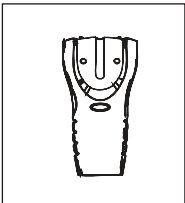
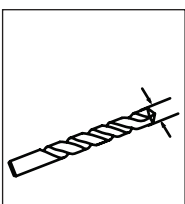
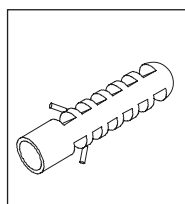


2 x 8.66in. (220mm) Velcro Cable Ties

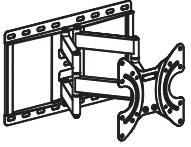
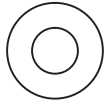

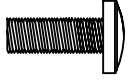

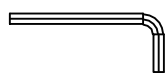



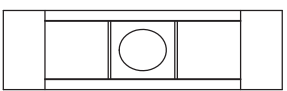


1 x 6 ft. HDMI™ cable










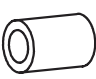


Tools Needed (Not Included)

	<p>Safety Glasses</p>		 <p>Drill</p>
	<p>Wood Drill Bit 7/32in. (5mm)</p>		 <p>Stud Finder</p>
	<p>Masonry/Concrete Drill Bit 3/8in. (9,5-10mm)</p>		

Parts List

Item	Components	Qty	Item	Components	Qty
A	Wall Bracket 	1	F	Washer 	4
B	TV Plate 	1	G	Screw 	8
C	TV Bracket 	2	H	Allen Wrench 	1
D	Fixed Arm 	2	V	Allen Wrench 	1
E	Lag Bolt 	4	W	Magnetic Leveler 	1

Hardware List

Mounting Hardware List		Qty	Mounting Hardware List		Qty
I	 M8 X 16MM	4	O	 M5 X 30MM	4
J	 M6 X 12MM	4	P	 M4 X 30MM	4
K	 M5 X 12MM	4	Q	 M4 / M5washer	4
L	 M4 X 12MM	4	R	 M6 / M8washer	4
M	 M8 X 40MM	4	S	 M6 / M8spacer	4
N	 M6 X 35MM	4	T	 M4 / M5spacer	4

Assembly Tips:

Become familiar with the instructions and all parts.

Make sure that all parts are in the box and in good condition.

Assemble the product on the open flat carton or a rug to protect the product and your floor.

Some heavy products need a second person to assist in the assembly.

Do not install on sloping surface.

This TV mount is designed for use on a vertical wall that is constructed with wood studs, masonry or solid concrete.

Caution:

Never let children climb on product or play with product.

Do not sit or stand on product.

Do not fasten a TV that is heavier than the recommended loading to the mount.

Improper installation may cause property damage and or personal injury, so the installation is recommended to be done by two qualified contractors. The manufacturer is not liable for damage or injury caused by incorrect mounting, assembly or use.

The size and weight of your TV must be not exceed 42in. - 70in. (107cm - 178cm) diagonally or 99lbs (45kgs). The wall must be capable of supporting five times the weight of TV plus the mount.

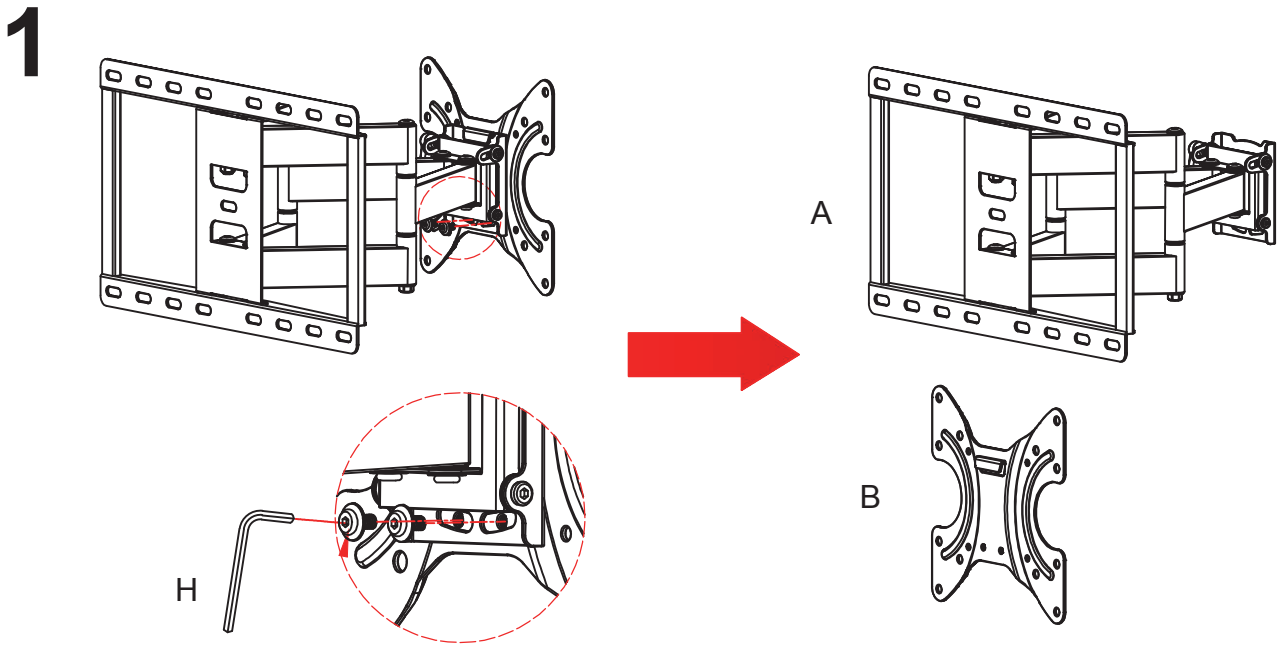
This mount allows the TV to tilt -15° - $+5^{\circ}$, swivel -45° - $+45^{\circ}$.

Improper handling can result in cuts and lacerations.

Pictures for reference only, subject to our available products.

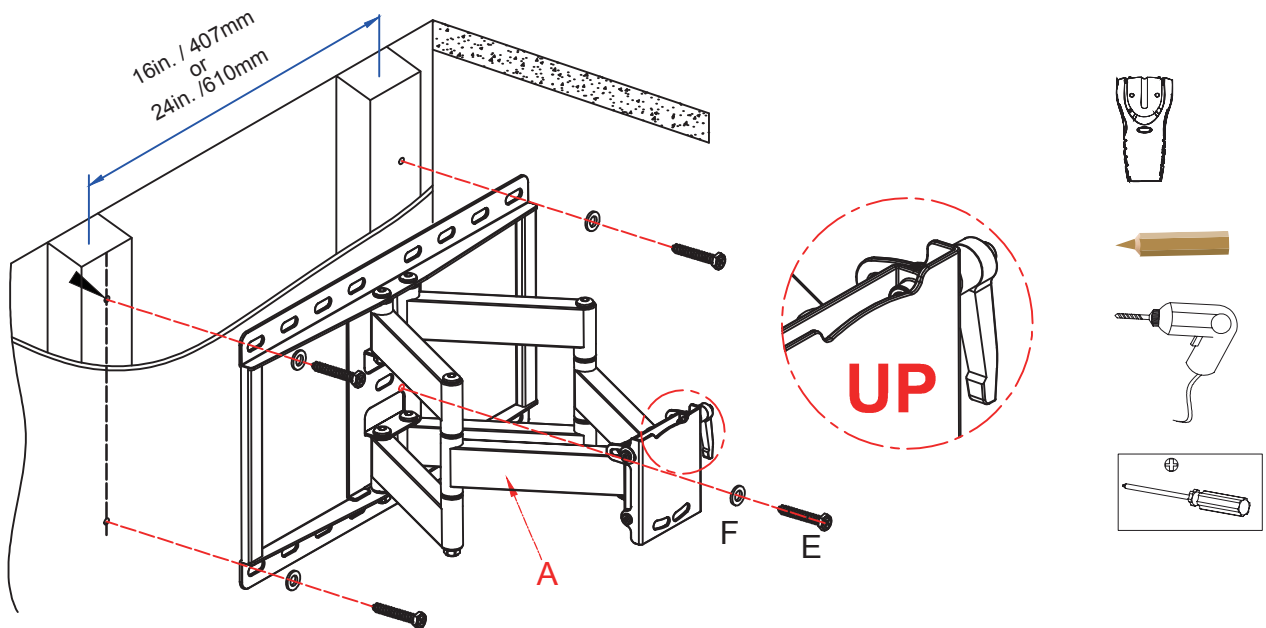
PLEASE CHOOSE BEST INSTALLATION OPTION BASE ON TV BACK PANEL HOLE SPACING:

Option 1: 3.94 in x 3.94 in / 100 mm x 100 mm or 7.87 in x 7.87 in / 200 mm x 200 mm



Remove TV Plate (B) from Wall Bracket (A) using allen wrench (H), keep the screws for future use in Step 4.

2 Wood Stud Installation

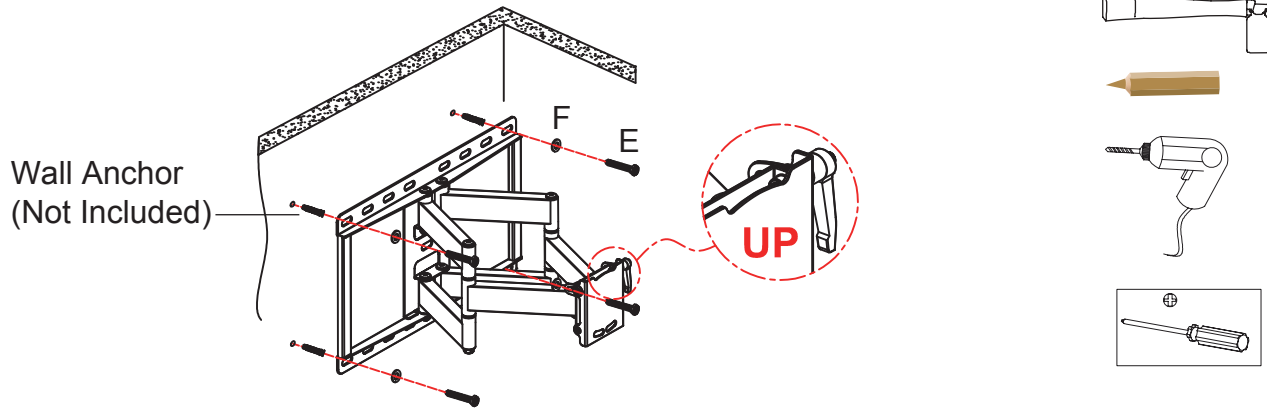


Using a stud finder, locate the center of wall studs, then hold Wall Bracket (A) against the wall at your desired position. Next use a pen or pencil to mark the location of where the 4 mounting Lag Bolts (E) will go into the center of the wall stud. Before marking, ensure the wall bracket is level using the included magnetic leveler (W).

Remove wall bracket. Drill pilot holes at the marked 4 holes using 7/32 in. (5mm) drill bit. Fasten Wall Bracket (A) to wall with Lag Bolts (E) and washer (F).

Do not over-tighten Lag Bolts (E).

Masonry/Concrete Installation

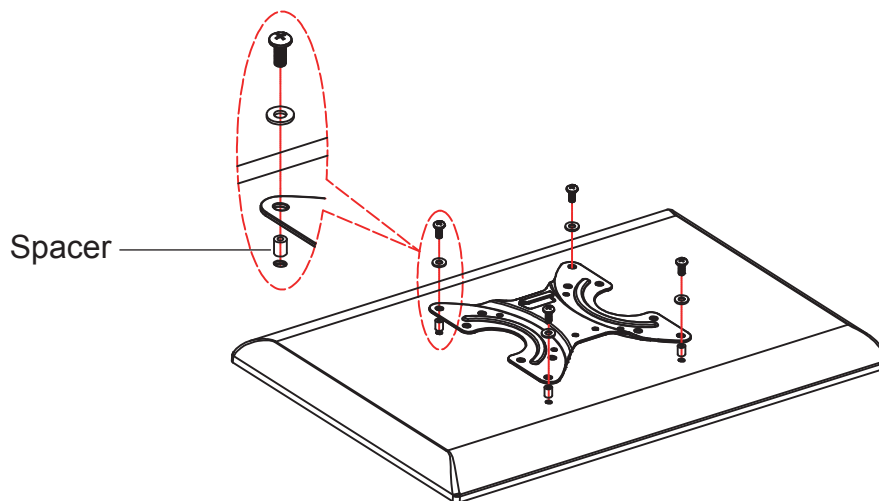


Use a pen or pencil to mark the location of where the 4 mounting Lag Bolts (E) will go into wall while holding Wall Bracket (A) against the wall at your desired position. Before marking, ensure the wall bracket is level using the included magnetic leveler (W).

Remove wall bracket. Drill holes at the marked 4 holes using 3/8 in. (9,5-10mm) drill bit. Sink Lag Bolt Anchors (not included) into holes with hammer until flush with wall surface. Fasten Wall Bracket (A) to wall with Lag Bolts (E) and Washers (F).

Do not over-tighten Lag Bolts (E).

3



Carefully lay your TV face-down on a rug or flattened carton. Hand thread screws into the threaded inserts on the back of your TV to determine which screw diameter (M4, M5, M6, or M8) to use.

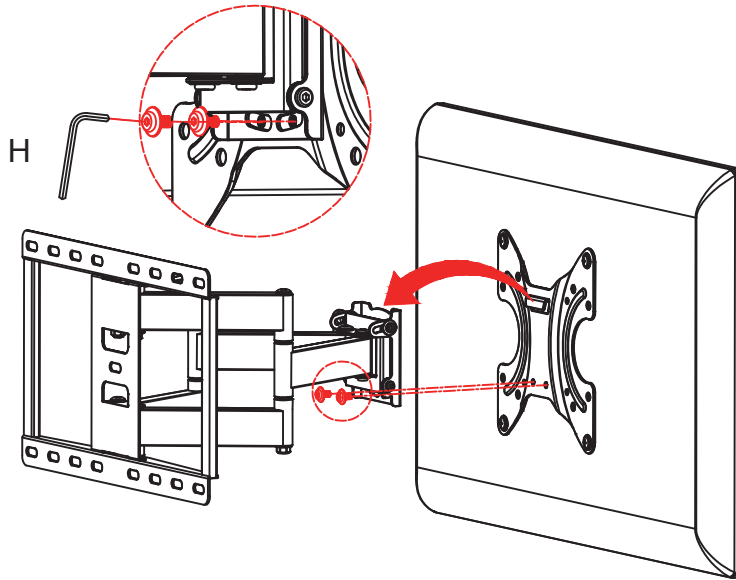
If your TV has a flat back, use the shorter screws. Spacers and longer screws are supplied to accommodate:

- Irregular / round back TVs
- TVs with inset mounting holes
- Extra space is needed to access cable connections

Position your TV plate (B) over your TV hole pattern, making sure the TV Plate is centered and level, Install using the short screw and washer, or long screw with washer and spacer combination you selected for your TV.

DO NOT TIGHTEN SCREWS WITH ELECTRIC DRILL/SCREWDRIVER. HAND TIGHTEN ONLY.

4

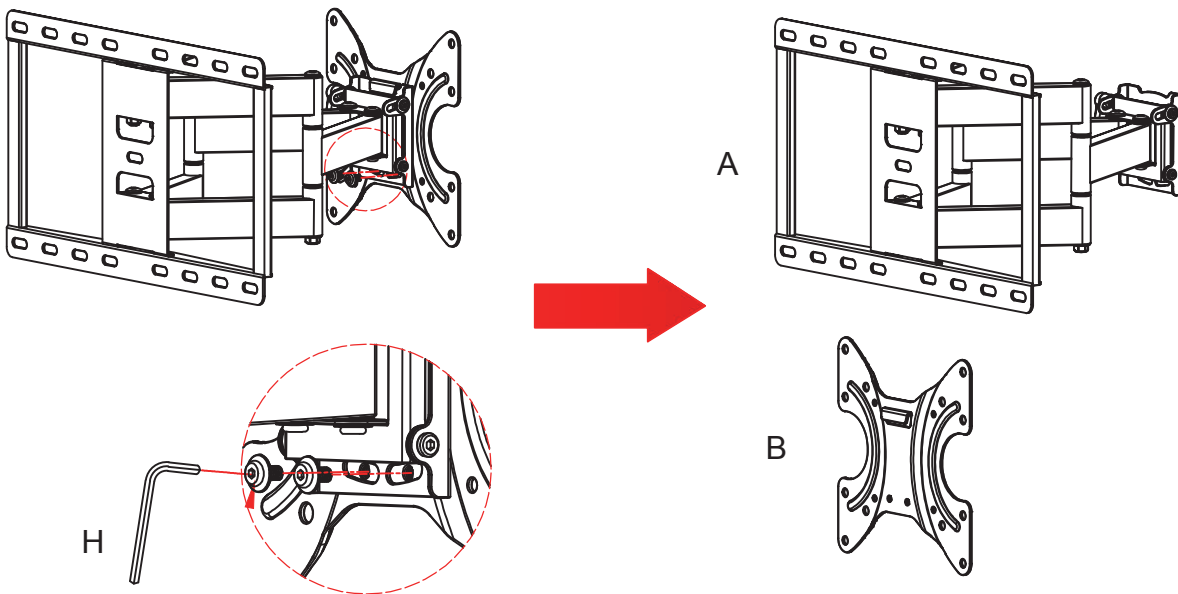


Hang TV to Wall Bracket as shown above. ***It is recommended two people, one on each side of TV participate in hanging TV to wall plate.***

Tilt the top of the TV towards the wall and carefully position TV plate (B) over the wall bracket (A) until locking into place. Then fasten it with screws you disassembled in **Step 1**.

Option 2: 15.75 in x 15.75 in / 400 mm x 400 mm or 23.62 in x 15.75 in / 600 x 400 mm

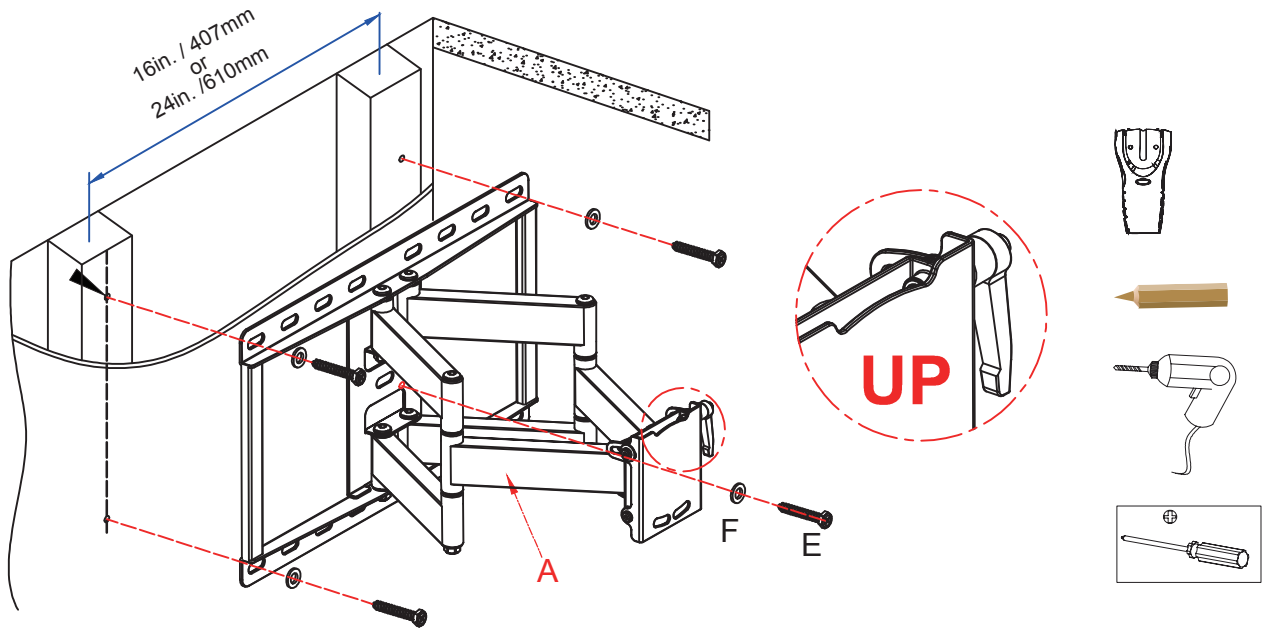
1



Remove TV Bracket (B) from wall bracket (A) using Allen wrench (H), keep the screws for future use in **Step 5**.

2

Wood Stud Installation

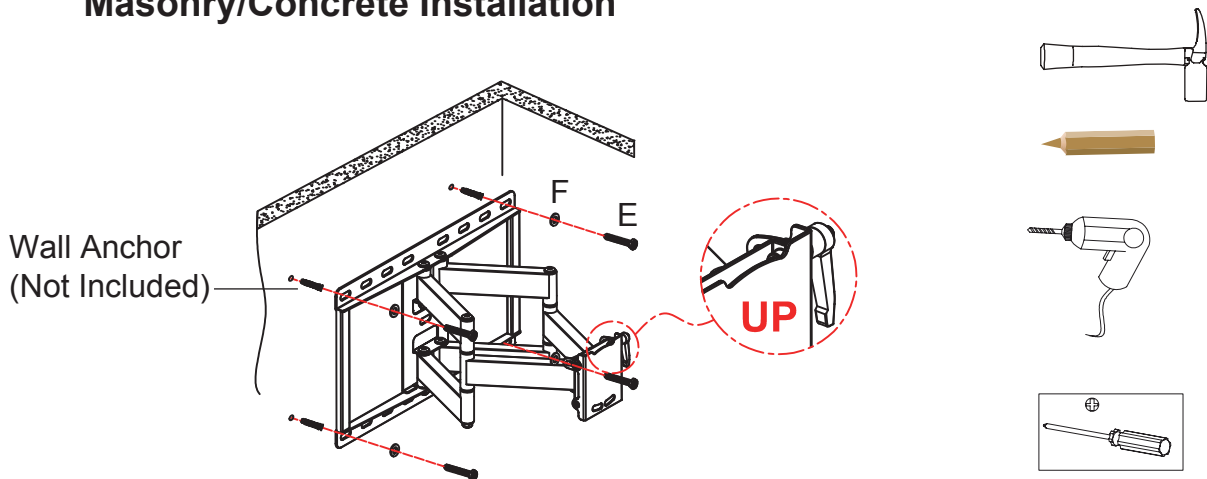


Using a stud finder, locate the center of wall studs, then hold Wall Bracket (A) against the wall at your desired position. Next use a pen or pencil to mark the location of where the 4 mounting Lag Bolts (E) will go into the center of the wall stud. Before marking, ensure the wall bracket is level using the included magnetic leveler (W).

Remove wall bracket. Drill pilot holes at the marked 4 holes using 7/32 in. (5 mm) drill bit. Fasten wall plate (A) to wall with Lag Bolts (E) and washer (F).

Do not over-tighten Lag Bolts (E).

Masonry/Concrete Installation

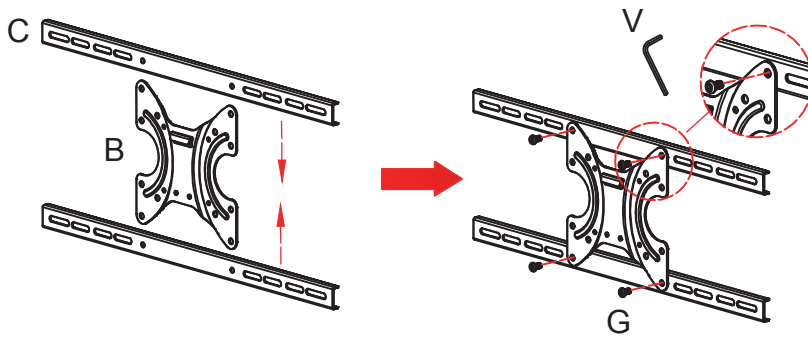


Use a pen or pencil to mark the location of where the 4 mounting Lag Bolts (E) will go into wall while holding Wall Bracket (A) against the wall at your desired position. Before marking, ensure the wall bracket is level using the included magnetic leveler (W).

Remove Wall Bracket. Drill holes at the marked 4 holes using 3/8 in. (9,5-10mm) drill bit. Sink Lag Bolt Anchors (not included) into holes with hammer until flush with wall surface. Fasten Wall Bracket (A) to wall with Lag Bolts (E) and Washers (F).

Do not over-tighten Lag Bolts (E).

3



Attach TV Bracket (C) to TV Plate (B), then fasten it with screws (G) and allen wrench (V).

4

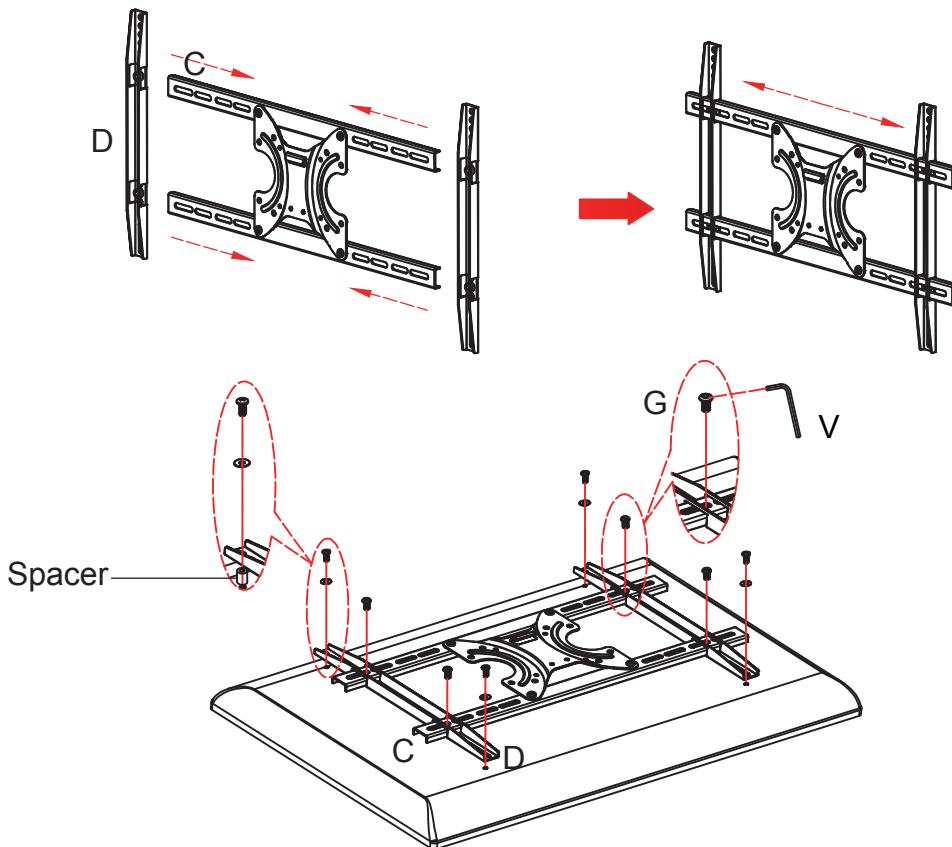


Figure 1

Slide Fixed Arm (D) onto TV Bracket (C). See **Figure 1**.

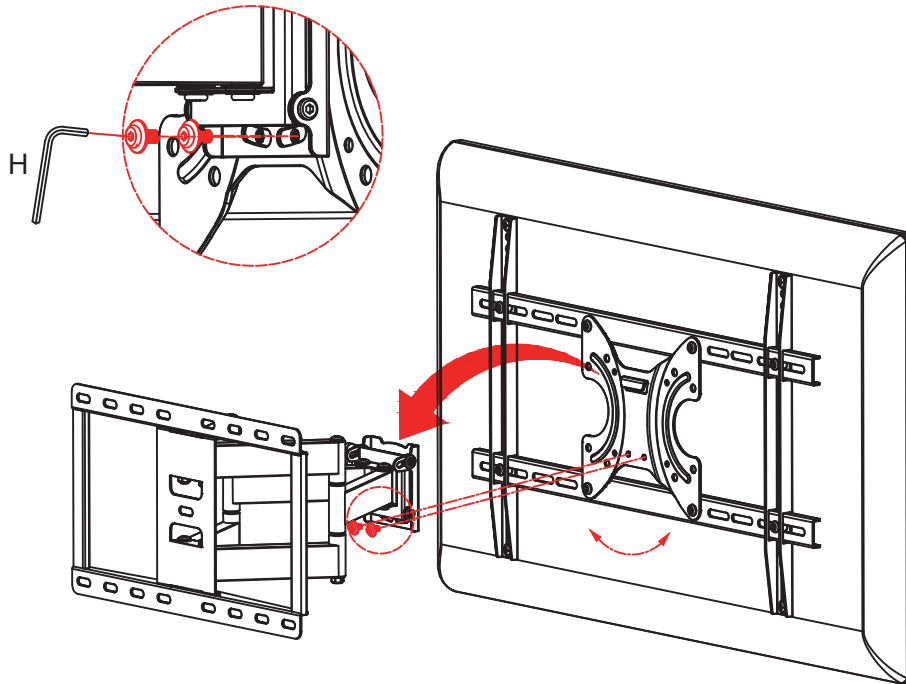
Carefully lay your TV face-down on a rug or flattened carton. Hand thread screws into the threaded inserts on the back of your TV to determine which screw diameter (M4, M5, M6, or M8) to use. If your TV has a flat back, use the shorter screws. Spacers and longer screws are supplied to accommodate:

- Irregular / round back TVs
- TVs with inset mounting holes
- Extra space is needed to access cable connections

Position your assembled bracket over your TV hole pattern, making sure the brackets are vertically centered and level. Fasten TV Brackets (C) and Fixed Arm (D) with screws (G) and allen wrench (V). Then install using the short screw and washer, or long screw with washer and spacer combination you selected for your TV.

DO NOT TIGHTEN SCREWS WITH ELECTRIC DRILL/SCREWDRIVER. HAND TIGHTEN ONLY.

5



Hang TV to Wall Bracket as shown above. ***It is recommended two people, one on each side of TV participate in hanging TV to Wall Plate***

Tilt the top of the TV towards the wall and carefully position TV Plate (B) over the Wall Bracket (A) until locking into place. Then fasten it with screws that you disassembled in **Step 1**.

HDMI Cables

Information:

This Kit includes 1 HDMI™ cable.

Each HDMI cable measures 6 feet (1829 mm) in length.

Technical Specifications:

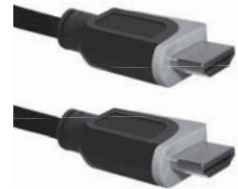
1.4 Version

Supports Ethernet, 3D and 4K Definition.

O.D.: 6.0mm

Double molding

In-Wall CL2 Rated

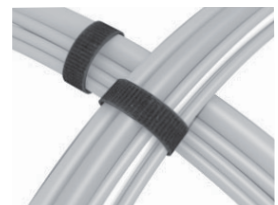


Velcro Cables Ties

Information:

This kit includes 2 velcro cable ties to help manage your cords.

Each Velcro cable tie measures 8.66in. (220mm)



Product Warranty

This Limited Warranty covers any defects in material or workmanship for purchases made in the U.S.A and Canada, and excludes claims from conditions, malfunctions or damage not resulting from defects in material or workmanship. The warranty duration is one year. Keep your original proof of purchase (store receipt). If after inspection you find the product is defective, damaged or missing parts. DO NOT return to the store. Please contact customer service at (800) 747-2660 M-Th, 8am-5pm; Fri, 8am-12pm (Pacific Time). Or email customerrelations@tvmountsnow.com

Please keep this Instruction Manual for future reference.

The logo for Catalyst, featuring the word "Catalyst" in a bold, stylized, blocky font. The letters are black with a white outline, and a registered trademark symbol (®) is located at the end of the word.

© 2015 Atlantic Inc. Santa Fe Springs, CA. U.S.A.
U.S. and other foreign patents pending /
Patentes de los EUA y países extranjeros en trámite /
Brevets en cours pour les États-Unis et autres pays /
U.S. und andere ausländische Patente sind hängig
All rights reserved / Derechos Reservados /
Tous droits réservés
Made in China / Hecho en China /
Fabriqué en Chine