

Baby Buddy[®]
Every Baby Needs A Buddy[™]

You can count on Bottle Buddy

No. 00750



bottle buddy[™]

Electronic Formula Dispenser Instruction Manual



Use this manual
for a great
experience.
You're going
to LOVE this!

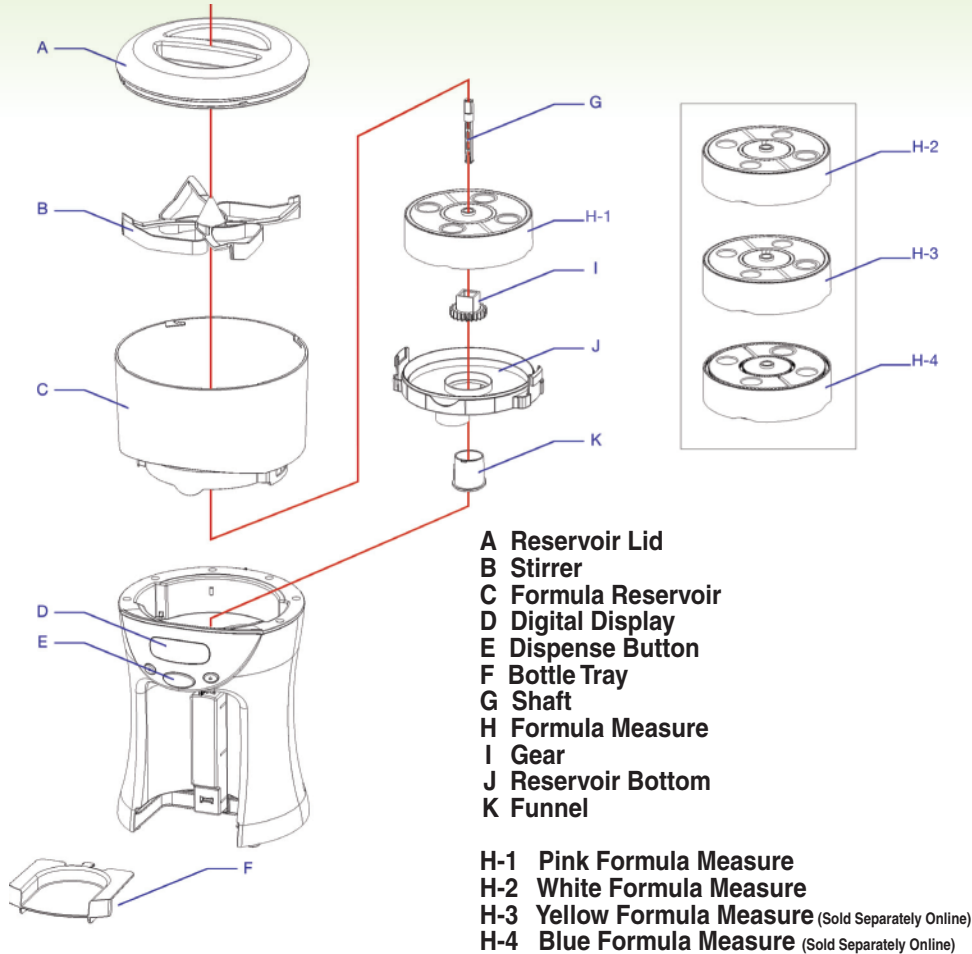


Important! Keep For Future Reference

Features

- Formula level is easily visible through the transparent reservoir.
- Easy one button dispensing.
- Dishwasher safe.
- Suitable for all forms of sterilization.

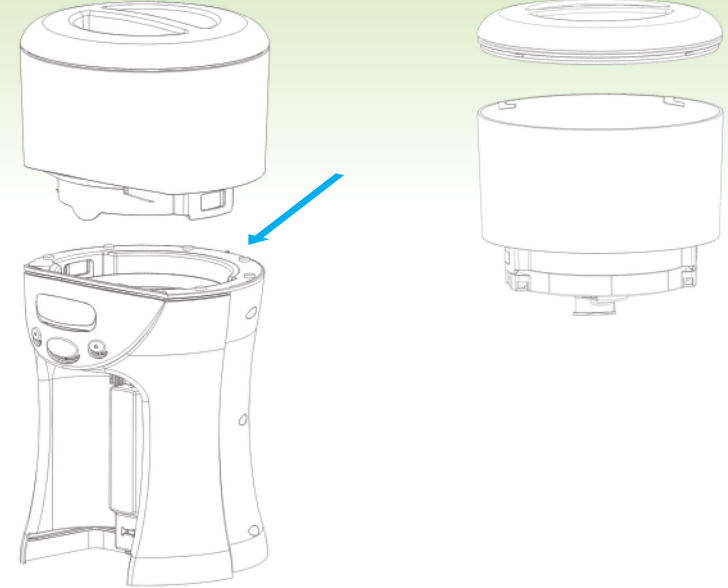
Please Read These Instructions Before Use



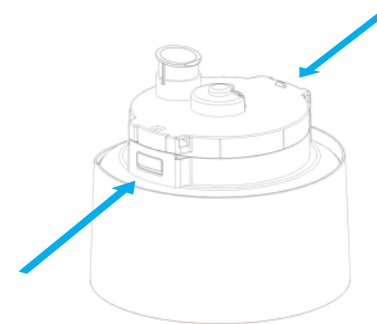
Four different colored inserts have been provided. Select the correct insert needed by following the 'Preparation For Use Insert Guide.'
 Keep unused inserts. These will be needed if formula brand is changed.
 Refer to guide when progressing to a next stage or brand of formula.

Preparation For Use

- 1.** Remove the formula reservoir by pressing the release button at the rear of the unit.
- 2.** Remove reservoir lid by turning counter clockwise and lift.



- 3.** Remove the base of the formula reservoir by pushing the release buttons on either side.
- 4.** Wash all items in mild soapy water and rinse. All items are dishwasher and sterilizer proof.



After the parts have been washed, MAKE SURE ALL PARTS ARE COMPLETELY DRY. WE RECOMMEND THE USE OF A CLEAN DRY DISPOSABLE TOWEL TO REMOVE ANY EXCESS WATER AND LEAVE TO AIR DRY FOR AT LEAST 10 MINS BEFORE ADDING FORMULA.

IF PARTS ARE NOT COMPLETELY DRY, THE UNIT WILL NOT WORK.

Preparation For Use

5. Use the insert guide below to select the correct formula measure:

Formula Brand	Formula Stage	Formula Measure Insert
Gerber/Nestle	Good Start Gentle	White
Gerber/Nestle	Good Start Gentle #2	White
Gerber/Nestle	Good Start Protect	Pink
Mead Johnson	Enfamil Premium Newborn	Pink
Mead Johnson	Enfamil Premium Infant	Pink
Mead Johnson	Enfamil Premium Toddler	Pink
Abbotts	Similac Advance	Pink
Abbotts	Similac Go & Grow	White

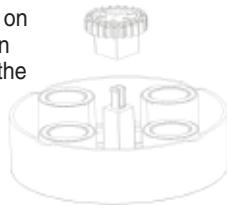
Please make sure you are using the correct formula measure as using the incorrect one may lead to your baby receiving the incorrect amount of formula. For further information on using the correct formula measure, please call our help line at 1-800-466-5270. For more information or other formulas, please visit: <http://www.compacind.com/baby-products/bottle-buddy>



6. Push the shaft through the measure.



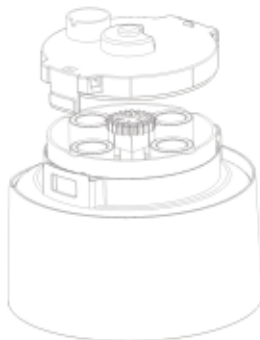
7. Position the gear on the square peg on the underside of the measure. While holding the gear in place, push the shaft through the gear until you hear a positive click.



8. Turn the reservoir upside down on a clean flat surface and insert the formula measure.



9. Replace the base of the formula reservoir.



Preparation For Use

10. Insert the funnel.



11. Replace the formula reservoir ensuring it clicks into place.



12. Firmly push the stirrer onto the spindle.



13. Fill the reservoir with up to 31.7 oz (900g) of formula and replace the lid turning it clockwise to ensure it is locked in place.



14. Make sure the bottle tray is in position.

The bottle tray is designed to accommodate different sizes of bottles.

Set unit to 2 scoops and press dispense button, pour any dispensed formula back into the formula reservoir. Unit is now ready for use.



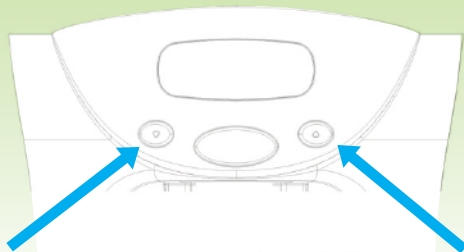
14a. Tall Bottles



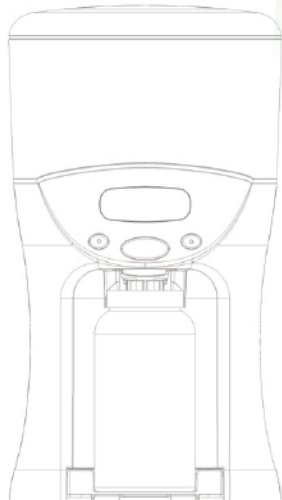
14b. Shorter Bottles

In Use

- 15.** Set the required number of scoops by using the up and down buttons. Each unit is equal to 1 fl oz or 30 ml feed.
 Example: For a 5 fl oz of feed you'll need 5 scoops.

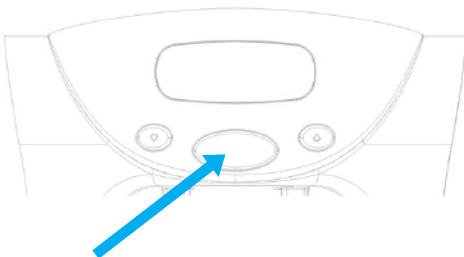


- 16.** Carefully place a bottle with the required amount of water onto the bottle tray and push firmly into the dispenser. Do not use water that has just been boiled. Allow the freshly boiled water to cool down to 150°F (70°C). (Use within 30 minutes of boiling)



Baby is getting hungry and You are almost ready. Please finish reading.

- 17.** Press the dispense button. The number of scoops shown on the display will be dispensed.



When finished, the bottle tray will slide forward.

Always wait until the dispensing is complete before removing the bottle. To cancel the dispense, press the dispense button for a second time.

If the dispense button is not pressed within 1 minute of inserting the bottle, the dispense will be cancelled. This ensures the formula is kept sterile at all times.

Refill when formula level runs low.

Care Of The Product

- Unplug the appliance before cleaning it.
- The formula reservoir should be emptied and washed before adding formula for the first time.
- Before sterilizing, thoroughly wash reservoir, lid, stirrer, funnel and measure in warm, soapy water or in the top rack of the dishwasher.
- Ensure all parts are completely dry before assembly and adding formula, we recommend the use of a clean dry disposable towel to remove any excess water and leave to air dry for at least 10 minutes before adding formula.
- Do not immerse unit base in water; wipe clean with a damp, soft cloth only.
- The bottle tray may collect spilt formula; this can easily be removed and wiped with a damp cloth and warm, soapy water.
- The shutter may also collect formula; this can easily be removed by sliding to the right.
- The contents of the formula reservoir should be emptied if the unit is not to be used for a period of time i.e. when going on vacation.
- Do not use bleach, abrasives or antibacterial materials or scourers to clean the unit.

Warning

- Keep out of reach of children.
- Children should be supervised to ensure that they do not play with the appliance.
- Unit must be completely dry before adding formula; this is to ensure that no blockages are caused and formula is not contaminated.
- Do not use water that has just been boiled. Allow the freshly boiled water to cool down to 150°F (70°C) (e.g. use within 30 minutes of boiling).
- Once the feed has been made up, it should be cooled under a running cold tap with cap covering the bottle nipple.
- Always use on a flat, heat resistant surface.
- Do not leave the electrical cord trailing on the work top where it can be reached by children.
- If the electrical cord is damaged, it must be replaced by the manufacturer, its service agent or similarly qualified persons in order to avoid a hazard.
- The appliance is not to be used by children or persons with reduced physical, sensory or mental capabilities, or lack of experience and knowledge, unless they have been given supervision or instruction.
- Never place fingers/hands in appliance while switched on, as moving parts may cause harm.

Trouble Shooting

- **Bottle will not be held in position.**
 - Formula reservoir not in position, release and replace on unit.
- **Missing a scoop. (Parts may not have been completely dry when adding formula)**
 - Remove base of reservoir and make sure colored insert is completely dry and free of blockage.
- **Not dispensing.**
 - Is the bottle tray pushed into the dispense position? Bottle tray must be in position in order for the unit to dispense.
- **No power.**
 - Confirm unit is plugged in and the outlet-socket is operational.

Any other servicing should be performed by an authorized service representative.

Technical Data

Operating Voltage: 120V
Frequency: 60 Hz
Power: 10W

Help the environment by disposing of your product responsibly. The wheelee bin symbols indicate the product and batteries must not be disposed of in domestic waste as they contain substances which can be damaging to the environment and health. Please use collection points or recycling facilities when disposing of the item or batteries.

IMPORTANT SAFEGUARDS

When using electrical appliances, basic safety precautions should always be followed including the following:

1. Read all instructions.
2. To protect against risk of electrical shock, do not put the appliance, the cord and the plug in water or other liquid.
3. Close supervision is necessary when any appliance is used by or near children.
4. Unplug from outlet when not in use, before putting on or taking off parts, and before cleaning.
5. Avoid contacting moving parts.
6. Do not operate any appliance with a damaged cord or plug or after appliance malfunctions, or is dropped or damaged in any manner. Return appliance to the nearest authorized service facility for examination, repair or electrical or mechanical adjustment.
7. The use of attachments not recommended or sold by the manufacturer may cause fire, electric shock or injury.
8. Do not use outdoors.
9. Do not let cord hang over edge of table or counter.
10. This appliance has a polarized plug (one blade is wider than the other). To reduce the risk of electric shock, this plug will fit in a polarized outlet one way. If the plug does not fit fully in the outlet, reverse the plug. If it still does not fit, contact a qualified electrician. Do not modify the plug in any way.
11. Do not place on or near a hot gas or electric burner or in a heated oven.
12. Check that the control is OFF before plugging cord into wall outlet. To disconnect, turn the control to OFF, then remove plug from wall outlet.

SAVE THESE INSTRUCTIONS

You are now ready to give your baby consistently satisfying meals!



**Please keep a note of our company name and address.
Dispose of all packaging safely.**

