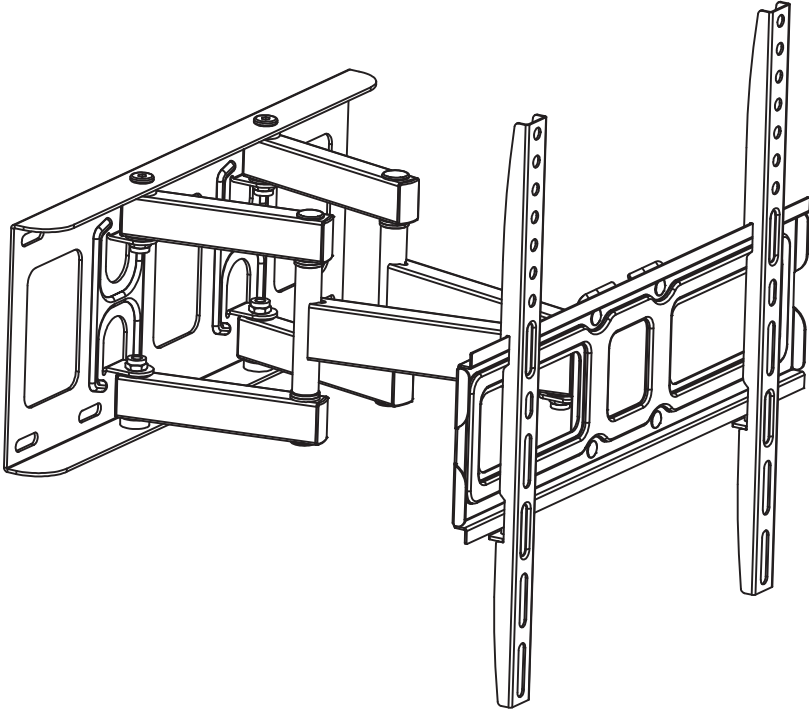


MEDIUM FULL-MOTION TV WALL MOUNT

V2.0



PIMFK1

Thank you for choosing our product! We strive to provide the best quality and services for our customers. Would you kindly share your experience on Amazon if you are satisfied? Should you have any issues, please don't hesitate to contact us.

Telephone: 800-556-9829

Mon-Fri 10am – 6pm (PST) (USA)

Email: supportus@pipishell.net

(US/CA/DE/UK/FR/IT/ES/JP/AU)

WARNING!

* **WARNING! SEVERE PERSONAL INJURY AND PROPERTY DAMAGE CAN RESULT FROM IMPROPER INSTALLATION OR ASSEMBLY. READ THE FOLLOWING WARNINGS BEFORE BEGINNING.**

- * If you do not understand the instructions or have any concerns or questions, please contact a qualified installer.
- * Do not install or assemble if the product or hardware is damaged or missing. Not all parts and hardware included must be used. If you require replacement parts, contact customer service at supportus@pipishell.net
- * This product has been designed for use on a vertical wall constructed of wood studs. Wood studs being defined as a wall consisting of a minimum of 2" x 4" studs with a maximum of 1/2" of wall covering (drywall, lath, plaster). For custom installations please contact a qualified installer. For safe installation, the wall you are mounting to must support 4 times the weight of the total load. If not, the surface must be reinforced to meet this standard. The installer is responsible for verifying that the wall structure/surface will safely support the total load.

Tools Needed (Not Included)



Stud Finder



Tape measure



Pencil



Drill



7/32 in.(5.5mm)
Wood Drill



2/5 in.(10mm)
Wall Drill



2/5 in. (10mm)
socket wrench



1/2 in. (13mm)
socket wrench



Screw driver



Hammer

Supplied Hardware



M8 x 65
Lag Bolts
A1 (x4)



Ø6mm
Washers
A2 (x4)



Ø6mm Washers
M4-5-6
B1 (x4)



Spacers
L10mm
B2 (x8)



Spacers
L5mm
C (x8)



Philips Screws
M6x15mm
D1 (x4)



Philips Screws
M6x30mm
D2 (x4)



Philips Screws
M8x15mm
E1 (x4)



Philips Screws
M8x45mm
E2 (x4)



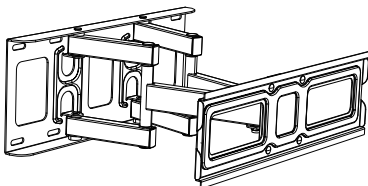
Philips Screws
M4x30mm
F (x4)



Level
(x1)



2 PCS



1 PCS



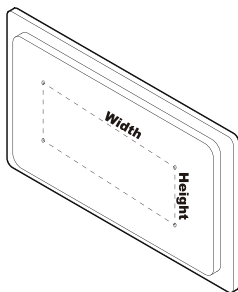
Wall Anchor
A3 (x4)



CAUTION!

These anchors are for concrete or brick walls ONLY. DO NOT use them in drywall or wood studs.

Step 1 Before TV Bracket Installation



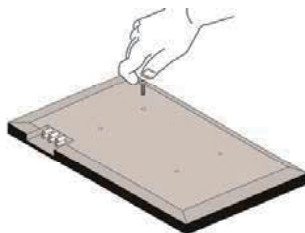
75mm ≈ 2.95 in. 100mm ≈ 3.94 in.
200mm ≈ 7.87 in. 300mm ≈ 11.81 in.
400mm ≈ 15.75 in.

Measure the distance between the holes located at the back of your TV (these measures may form the shape of a square, or a rectangle) and check that these taken measures are within the VESA(*) range for this wall mount.

(*) VESA: International standard established by the TV manufacturers used to determine if LCD / LED TVs are compatible with wall mounts.

Check TV screws

Please select the proper screw length for your TV by hand tightening to check your plat panel thread depth.



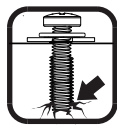
Manual Only!



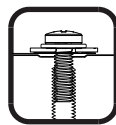
When attaching brackets to the flat screen, be careful not to over tighten screws and be sure that screws do not bottom out in the mounting holes.



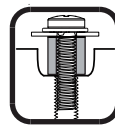
Too Short



Too Long



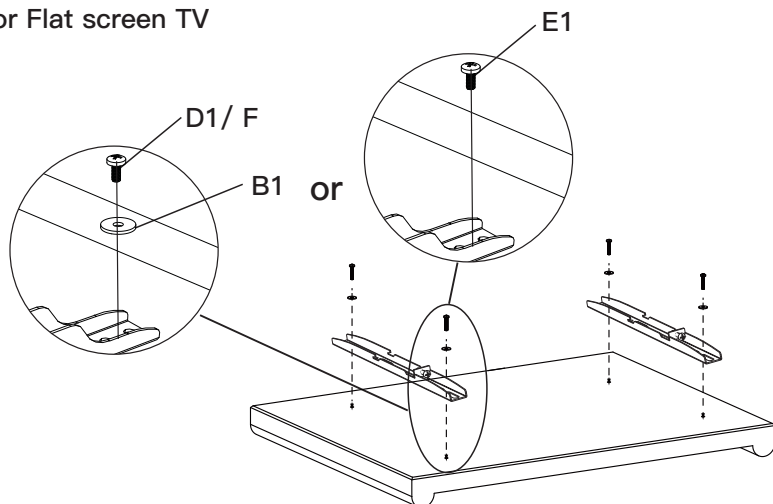
Correct



Correct

Step 2 Install TV Bracket

For Flat screen TV

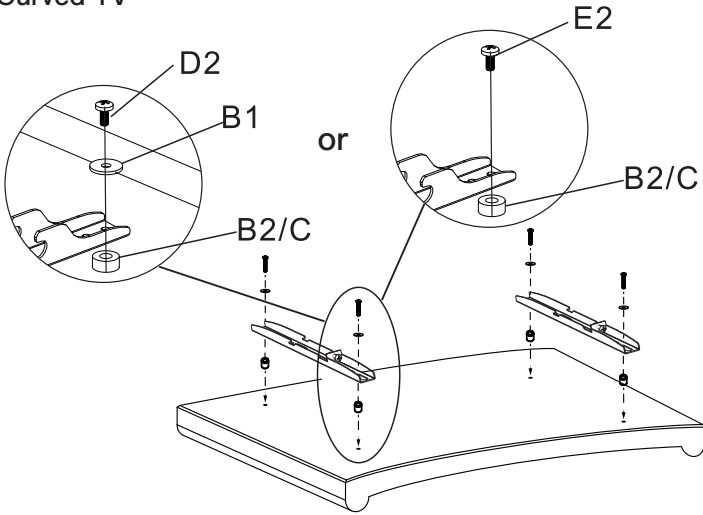


Manual Only!



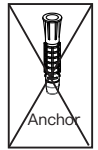
For Curved TV

Manual Only!

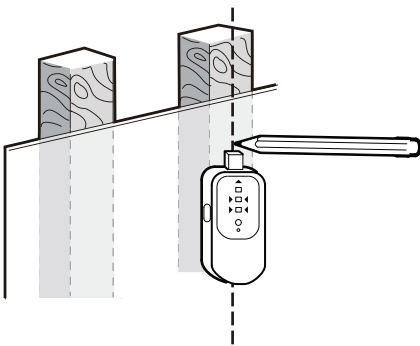


Step 3A

CAUTION: Ensure the wall plate is securely fastened to the wall before continuing on to the next step. These anchors are for concrete or brick walls **ONLY**. DO NOT use them in drywall or wood studs.



3A-1

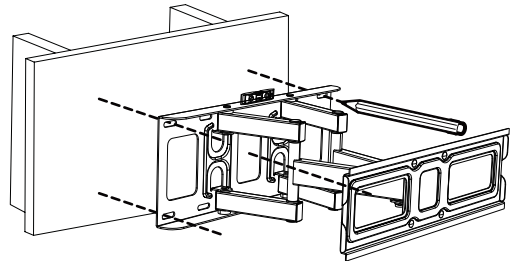


Use a stud finder (not included) to locate wood stud. Mark the edge and center locations.

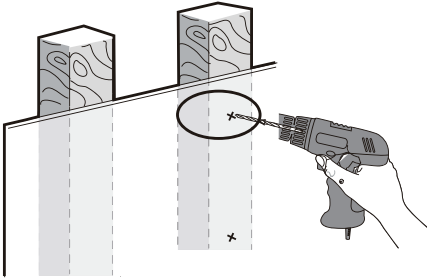
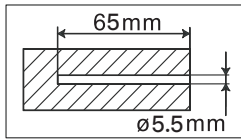
3A-2

Ensure marking at the center of the stud.

Center line



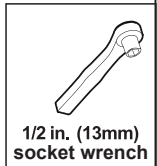
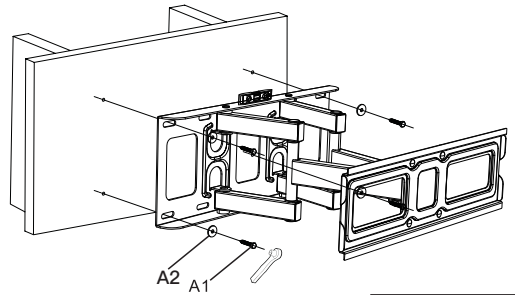
3A-3



Drill 4 pilot holes using a 1/5 in. (5.5mm) diameter drill bit. Make sure the depth is not less than 2 5/9 in. (65mm).

3A-4

Mount the wall plate using 4 sets of 2 3/8 in. lag bolts A1 and washers A2 with a 1/2 in. socket wrench (not included).



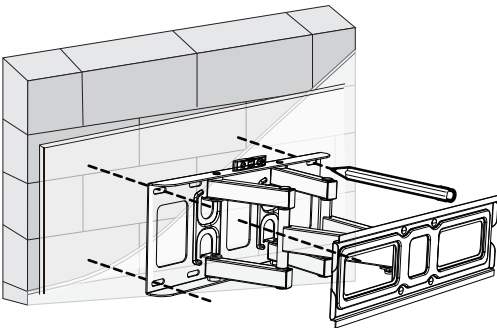
Step 3B

CAUTION: Ensure the wall plate is securely fastened to the wall before continuing on to the next step. These anchors are for concrete or brick walls ONLY. DO NOT use them in drywall or wood studs.



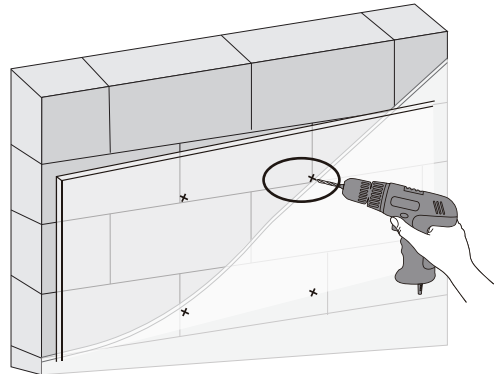
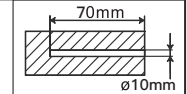
Anchor
A3

3B-1



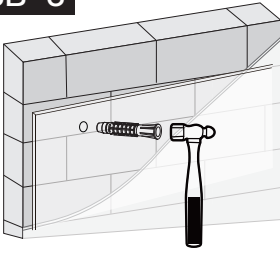
Position the wall plate at your desired height, level the wall plate and mark the pilot hole locations.

3B-2

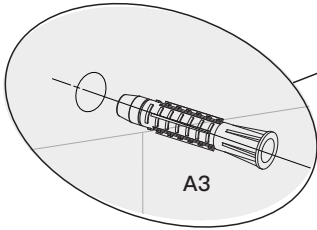
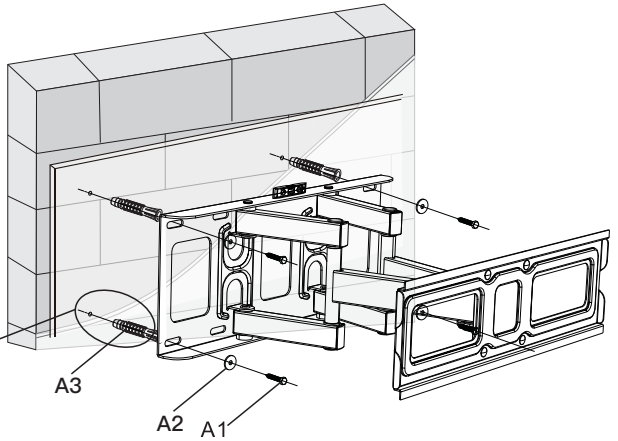


Drill 4 pilot holes using a 2/5 in. (10mm) diameter drill bit. Make sure the depth is not less than 2 6/8 in. (70mm).

3B-3



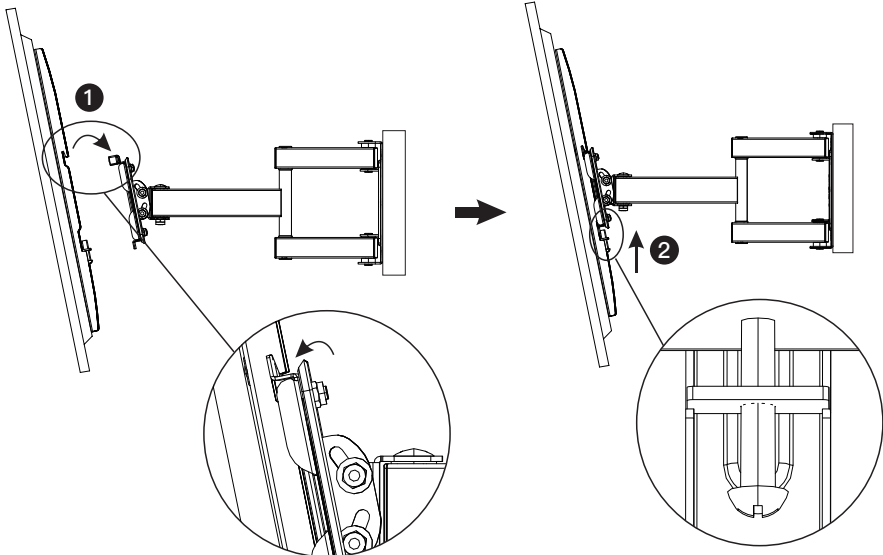
Use the hammer to knock anchors A3 into the wall.



Install wall plate using lag bolts A1, washers A2 and anchors A3. Tighten the lag bolts until they are pulled firmly against the wall plate.

Step 4

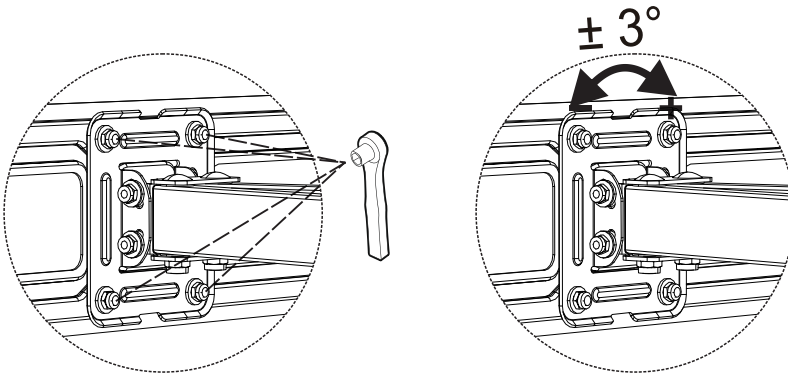
Mounting your TV to the Brackets and lock it.



locking

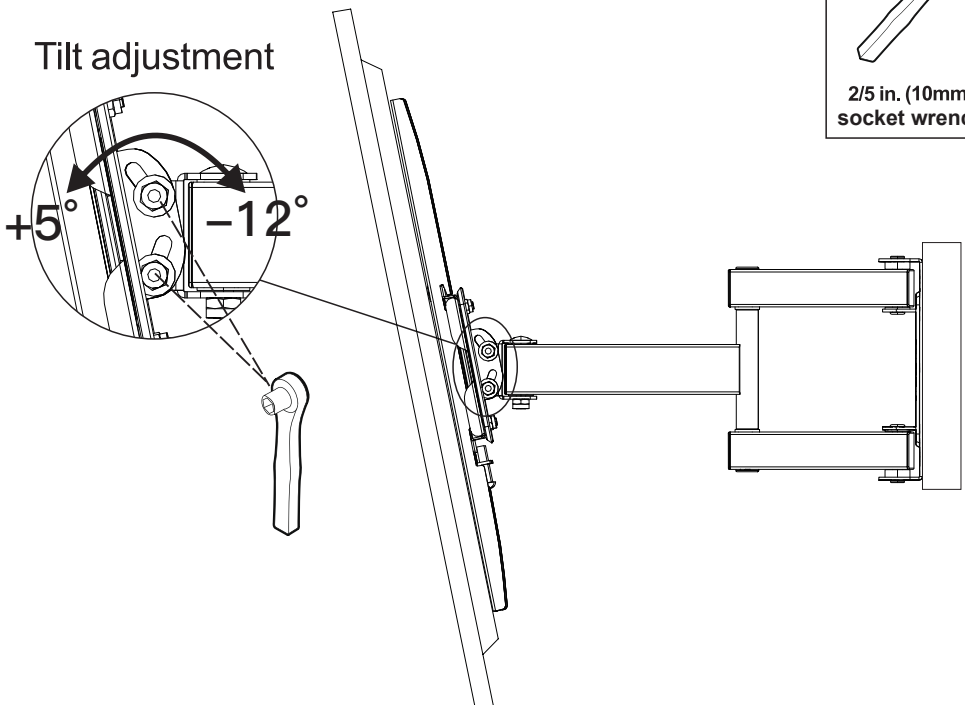
Step 5 Post Installation Level

If needed, the TV can be leveled ± 3 degrees



2/5 in. (10mm)
socket wrench

Step 6 Tilt adjustment



2/5 in. (10mm)
socket wrench