

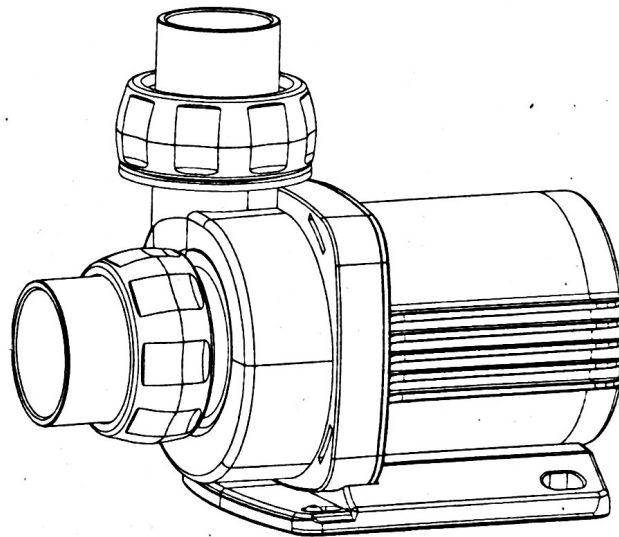
Jebao[®]

捷寶

DC Pump

OWNER'S MANUAL

DCP-3000, DCP-4000, DCP-5000, DCP-6500, DCP-8000,
DCP-10000, DCP-15000, DCP-18000, DCP-20000



Introduction

The DCP pumps are carefully inspected and tested to ensure both safety and operating performance. However, failure to follow the instructions and warnings in this manual may result in pump's damage and/or serious injury. Be sure to read and save this manual for future reference.

Pump Features

- High performance with innovative motor, and energy saving up to 65%, super quiet operation.
- IC electronic detection, automatic power-off protection upon no water.
- No-copper element.
- Suitable for both marine and fresh water, Rust free.
- With anti-resistant ceramic shaft, Longer operation file.

Controller Features

- Adjustable the flow rate and head max.
- "Feed" Model, pause, timing, delay, restart function
- Memory function, ensure that the pump rework upon keeping the same parameter

Operating instructions

1. The pump must be connected with the controller and the 24V or 36V adaptor correctly before work
2. **Lock / unlock function:** press the "+" or "-" button for three seconds until the LED light flash for two times, the controller locked; Similarly, press the "+" or "-" button for three seconds again, LED indicator light flashes for two times, the controller unlocked
3. "FEED" function: when the pump is working, press "FEED" button, pump stops working, the "10min" indicator lights up, the pump reworks automatically at previous level after 10 minutes. Or you can press the "FEED" button to make the pump rework.

Control and Panel Function

First, LED display and controller key Instructions

As indicated in able diagram LED indicates power work/stop and fault code, the panel are touched control

Seconds, operating instructions

After connected with pump, the control is set per last operation, panel is shown on LED, touch work /stop button, the pump will stop working, and OFF indicate in LED. Touch work/stop button again, the pump resume working, Led shows normal locking panel. PXXX is shown in LED, P is short for power, there are 71 settings for working panel, when touch slow/fast button, LED will show the instant working condition, you can set different power per your need. When sets "watts " button the Led display the "watts" button were "FXX, button from 30 to 100", SP is Speed shortening. More than 1 S no setting "watts" button, the led auto change its display "watts" button.

Three, the key Lock Function

Turn on the power, press the "+" or "-" button for three seconds until the LED light flash for two times, the controller locked; Similarly, press the "+" or "-" button for three seconds again, LED indicator light flashes for two times, the controller unlocked

Four, The Led protected mode

Turn on the power , more than 25 seconds no touch control button, the LED to micro bright, the controller enter the screen saver mode; the led return to normal When press any button.

Five, Date memory function

Memory function, ensure that the pump rework upon keeping the same parameter.

Six, Fault code and description

The fault code abnormal and flashing when the controller abnormal work, the code explanation is as below:

Er01: Abnormal Working current; Check if the pump short of voltage or the controller broken

Er02: Controller overheating; Check whether the controller exposed to the sunshine or in high temperature environment

Er03: Pump idling; Check the pump work dry

Er04: The impeller stops running; Check if the pump short of voltage or the controller broken

Er05: Abnormal Working voltage. Check the input supplying voltage

●Note: for indoor use, the power socket must be installed with the leakage current protecting device, and the leakage current shall not exceed 30mA (please the consumer to install the leaking current protection device by themselves).

Performance Parameters Table

| No: | Model No: | Voltage | Consumption (W) | Flow rate(L/H) | HeadMax (M) |
|-----|-----------|---------|-----------------|----------------|-------------|
| 1 | DCP-3000 | DC24V | 25 | 3000 | 2.8 |
| 2 | DCP-4000 | DC24V | 33 | 4000 | 3.5 |
| 3 | DCP-5000 | DC24V | 40 | 5000 | 3.5 |
| 4 | DCP-6500 | DC24V | 55 | 6500 | 4.5 |
| 5 | DCP-8000 | DC24V | 65 | 8000 | 5.2 |
| 6 | DCP-10000 | DC24V | 80 | 10000 | 6.0 |
| 7 | DCP-15000 | DC24V | 105 | 15500 | 6.2 |
| 8 | DCP-18000 | DC36V | 145 | 18000 | 7.5 |
| 9 | DCP-20000 | DC36V | 175 | 20000 | 8.0 |

WARNING

- Do not connect to any other power supply over the rated voltage
- Do not put the pump in the flammable liquid.
- Do not use the pump in the water temperature above 35°C.
- Maximum water depth 1.5M
- Maximum head Max please see the parameter table.
- Do not immerse the plug into water or other liquid.
- This appliance is not allowed to use by persons (including children) with reduced physical, sensory or mental capabilities, or lack of experience and knowledge, unless they have been given supervision or instruction concerning use of the appliance by a person responsible for their safety.
- Children should be supervised to ensure that they do not play with the appliance.
- This appliance can be used by children aged from 8 years and above and persons with reduced physical, sensory or mental capabilities or lack of experience and knowledge if they have been given supervision or instruction concerning use of the appliance in a safe way and understand the hazards involved.

CAUTION

Always disconnect the pump from the power supply before cleaning, maintenance and handling.

Do not let the pump work dry.

Do not lift the pump by holding the power cord only

Do not use the pump in the heating liquid.

The pump fits for fresh water and sea water only

The pump can used as submersible pump and used as non-submersible, pump house must be filled with water.

The pump can not run in the swimming pool.

Automatic shut off if no water for 2 minutes.

Pull the plug out, and re-insert for resuming work

Operation

A clogged or dirty intake screen will reduce the performance.

If the pump is used on a dirty surface, raise it slightly to reduce the amount of debris contacting the intake. If the flow is low, please adjust the regulator on the sealing cover.

Do not let the pump run in dry. The pump will be broken easily. Normally, put the pump into water, plug on. At the beginning, it probably can't pump water, because there is air in the pump and the connector fitting. Don't worry. Please plug on and off for several times. it will work normally.

Used as submersible pumps

IMPORTANT: Do not let the pump run dry – this could cause damage to the motor.

- Submerge the pumps completely in your pond so as to make the pump body fill with water.
- A water level of approx. 15 cm (6 in.) is required for submersible use in order to prevent the pump from taking in air.
- To prevent the filter becoming prematurely clogged, place the fountain pump above the mud in the pond!
- Install the enclosed filter sponge to prevent the fountain inlet from becoming clogged.
- Running in conjunction with fountain jets, the pump should be stationed firmly and horizontally (on a brick).
- The pump can be switched on by simply plugging it in and switched off by plugging off.

Used as non-submersible pumps

- Position the pump lower than the water surface on the side of the pond so that the water can be drained to the pump because it is not self-priming.
- Remove the filter cover and connect suction hose (A: inlet) and pressure hose (B: outlet) from the pump. The connection should be waterproof.(see Figure 1)
- Fill the suction hose and pump with water before turning it on.
- To prevent the pump from becoming clogged, provide the suction hose with an adequate suction filter.
- Never let the pump run dry.

Installation diagram:

Figure 1

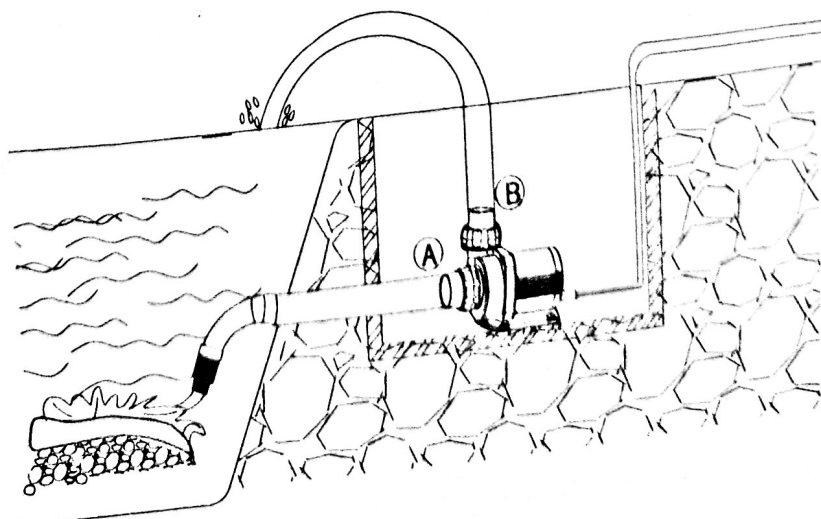
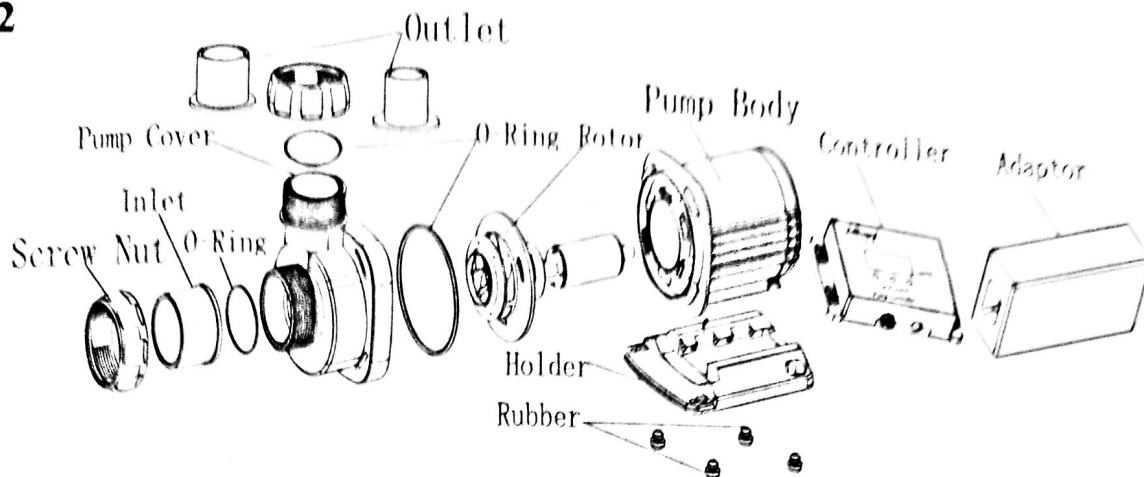


Figure 2



MAINTENANCE

To clean the pump, remove the back cover, sealing cover and the impeller. Use a small brush or stream of water to remove any debris.

If the pump not work, check as following:

- Check the circuit. Please try to plug on another power socket, to ensure the pump switched on with power. Note, please do not plug on before operation.
- Check the pump outlet and tube, if blocked by dirty. Algae may block them, up i can clean the algae using the pond water with a garden hose.
- Check the inlet to ensure not clogged by debris.
- Remove the pump inlet to access the impeller. Turn around the rotor to check if broken or jammed.
- Monthly maintenance will prolong your pump's life. Clean the rotor, remove the dirt. etc

NOTE: Ensure the electrical cord loops below the power socket like a "Drip Loop". It will prevent the water from running around the cable into the power socket



DISPOSAL:

Do not dispose this product as unsorted municipal waste. Collection of such waste separately for special treatment is necessary. This product must not be disposed together with the domestic waste. This product has to be disposed at an authorized place for recycling of electrical and electronic appliances. By collecting and recycling waste, you help save natural resources, and make sure the product is disposed in an environmental friendly and healthy way.

Jebao Co.,Ltd

Tongmao Industrial Park, Dongsheng Town, Zhongshan, Guangdong, China.

Email: info@jebao.com

Tel: +86-760-28136717/19/20

Website: www.jebao.com

Fax: +86-760-28136725