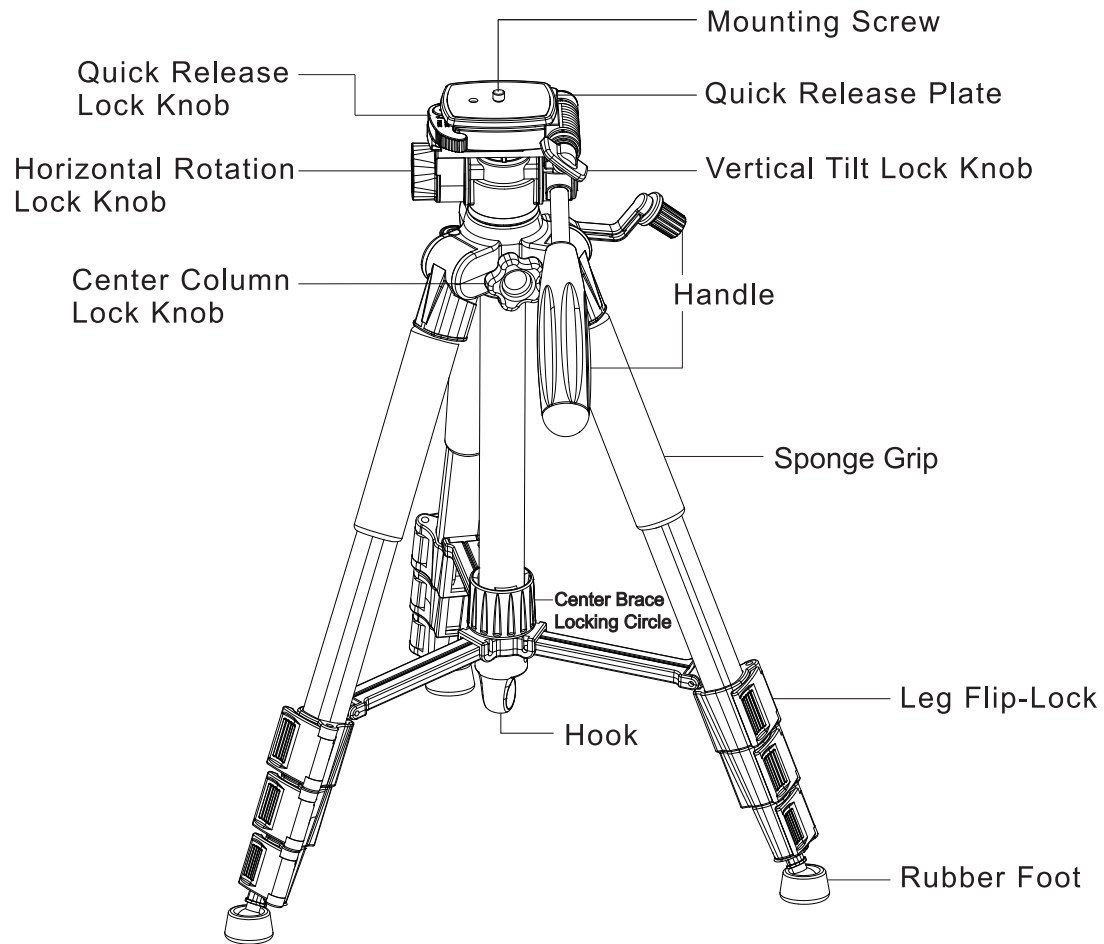


TRIPOD USER MANUAL

Thank you for using a Mactrem tripod for photography. Before using it, you should read the instructions carefully.



Products are subject to change without notice.



Notice

1. When you receive this product, make sure that all the necessary parts are available in the package.
2. Before placing your camera onto the tripod, check that all the locks are tightened to avoid accidental damage.
3. Don't exceed the maximum specified load capacity.
4. Avoid using at temperatures under -40°F or over 212°F
5. Better not use it in seawater. Please dry and clean the tripod after used in wet, sandy and dusty environments.
6. Please don't carry your camera together with the tripod when moving around.
7. Keep the tripod away from electronics.
8. Please confirm the size with real products.

Contact Us:



Mactrem Gear



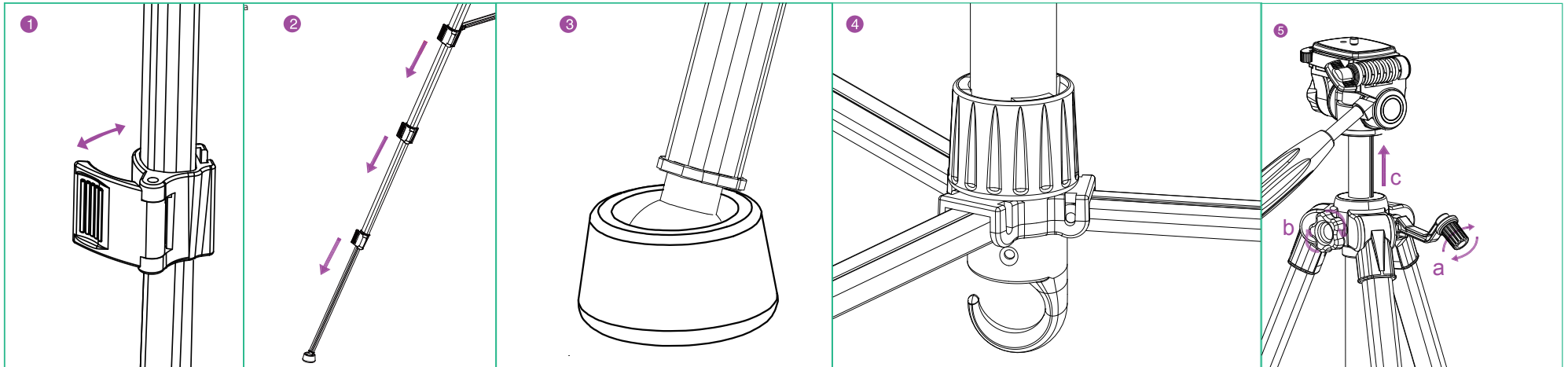
support@mactremgear.com



www.mactremgear.com



TRIPOD USER MANUAL



① The Leg Flip-Lock

a. Pull open the leg flip-lock and adjust to the required height. Then press down on the leg flip-lock.

② How to Extend Tripod Legs:

Repeat step one to extend all tripod legs.

③ Integrated Rubber Feet:

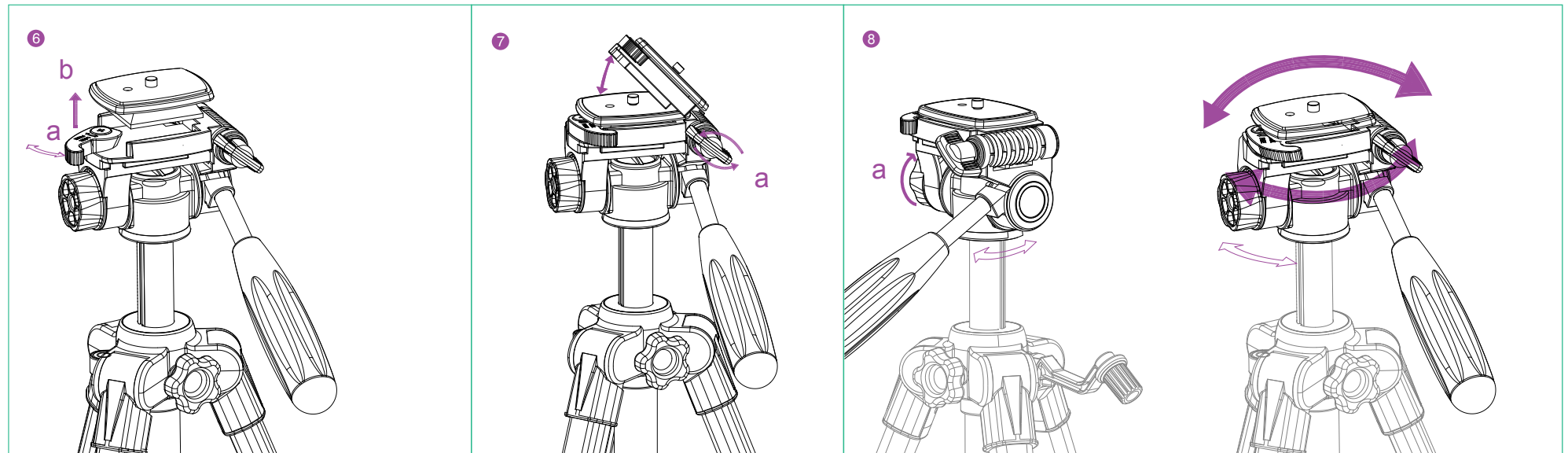
Antislip, durable, and environmentally friendly

④ The Hook:

Increased stability for outdoor use when weight is added to the gravity hook.

⑤ The Center Column

a. Use the handle to adjust height.
 b. After adjusting to suitable height, use the center column lock knob to lock it.
 c. Center column with rocker: easy to adjust to a suitable height.



⑥ The Quick Release Plate

a. Pull open the quick knob, this will give you easy access to the quick release plate.
 b. Quick release plate system for easy removal or swapping of equipment.

⑦ The Platform Plate

a. Loosen the vertical tilt lock knob to adjust the angle of the platform, up to 90 degree angle to allow for versatile use.

⑧ The Horizontal Rotation

a. Loosen the horizontal Rotational Lock Know to rotate, pean-head directions allow for 360 degree angles for versatile use.