

DEEBOT M82

EN Instruction Manual



Congratulations on the purchase of your ECOVACS ROBOTICS DEEBOT! We hope it brings you many years of satisfaction. We trust the purchase of your new robot will help keep your home clean and provide you more quality time to do other things.

Live Smart. Enjoy Life.

Should you encounter situations that have not been properly addressed in this Instruction Manual, please contact our Customer Service Center where a technician can address your specific problem or question.

For more information, please visit the ECOVACS ROBOTICS official website:
www.ecovacs.com

The company reserves the right to make technological and/or design changes to this product for continuous improvement.

Thank you for choosing DEEBOT!

Contents

- 1. Important Safety Instructions2
- 2. Package Contents and Technical Specifications5
 - 2.1 Package Contents5
 - 2.2 Specifications5
 - 2.3 Product Diagram6
- 3. Operating and Programming8
 - 3.1 Notes Before Cleaning8
 - 3.2 Quick Start9
 - 3.3 Cleaning Mode Selection11
 - 3.4 Programming the Robot13
 - 3.5 Status Indicator Light and Alarm Sounds15
- 4. Maintenance16
 - 4.1 Dust Bin and Filters16
 - 4.2 Main Brush and Side Brushes17
 - 4.3 Other Components17
- 5. Troubleshooting19

1. Important Safety Instructions

When using an electrical appliance, basic precautions should always be followed, including the following:

READ ALL INSTRUCTIONS BEFORE USING THIS APPLIANCE.

SAVE THESE INSTRUCTIONS

1. This Appliance can be used by children aged from 8 years and above and person with reduced physical, sensory or mental capabilities or lack of experience and knowledge if they have been given supervision or instruction concerning use of the Appliance in a safe way and understand the hazards involved. Children shall not play with the appliance. Cleaning and user maintenance shall not be made by children without supervision.
2. The top cover of this Appliance is tempered glass. While tempered glass is safer and stronger than standard glass, please handle with care to avoid scratching or breakage.
3. Clear the area to be cleaned. Remove power cords and small objects from the floor that could entangle the Appliance. Tuck rug fringe under the rug base, and lift items such as curtains and tablecloths off the floor.
4. If there is a drop off in the cleaning area due to a step or stairs, you should operate the
5. Appliance to ensure that it can detect the step without falling over the edge. It may become necessary to place a physical barrier at the edge to keep the unit from falling. Make sure the physical barrier is not a trip hazard. Only use as described in this manual. Only use attachments recommended or sold by the manufacturer.
6. Please make sure your power supply voltage matches the power voltage marked on the Charging Dock.
7. For INDOOR household use ONLY. Do not use the Appliance in outdoor, commercial or industrial environments.
8. Use only the original rechargeable battery and Charging Dock provided with the Appliance from the manufacturer. Non-rechargeable batteries are prohibited. For battery information, please refer to Specifications section.
9. Do not use without dust bin and/or filters in place.
10. Do not operate the Appliance in an area where there are lit candles or fragile objects.
11. Do not use in extremely hot or cold environments (below $-5^{\circ}\text{C}/23^{\circ}\text{F}$ or above $40^{\circ}\text{C}/104^{\circ}\text{F}$).
12. Keep hair, loose clothing, fingers, and all parts of body away from any openings and moving parts.
13. Do not operate the Appliance in a room where an infant or child is sleeping.

1. Important Safety Instructions

14. Do not use Appliance on wet surfaces or surfaces with standing water.
15. Do not allow the Appliance to pick up large objects like stones, large pieces of paper or any item that may clog the Appliance.
16. Do not use Appliance to pick up flammable or combustible materials such as gasoline, printer or copier toner, or use in areas where they may be present.
17. Do not use Appliance to pick up anything that is burning or smoking, such as cigarettes, matches, hot ashes, or anything that could cause a fire.
18. Do not put objects into the suction intake. Do not use if the suction intake is blocked. Keep the intake clear of dust, lint, hair, or anything that may reduce air flow.
19. Take care not to damage the power cord. Do not pull on or carry the Appliance or Charging Dock by the power cord, use the power cord as a handle, close a door on the power cord, or pull power cord around sharp edges or corners. Do not run Appliance over the power cord. Keep power cord away from hot surfaces.
20. If the power cord is damaged, it must be replaced by the manufacturer or its service agent in order to avoid a hazard.
21. Do not use the Charging Dock if it is damaged.
22. Do not use with a damaged power cord or receptacle. Do not use the Appliance or Charging Dock if it is not working properly, has been dropped, damaged, left outdoors, or come in contact with water. It must be repaired by the manufacturer or its service agent in order to avoid a hazard.
23. Turn OFF the power switch before cleaning or maintaining the Appliance.
24. The plug must be removed from the receptacle before cleaning or maintaining the Charging Dock.
25. Remove the Appliance from the Charging Dock, and turn OFF the power switch to the Appliance before removing the battery for disposal of the Appliance.
26. The battery must be removed and discarded according to local laws and regulations before disposal of the Appliance.
27. Please dispose of used batteries according to local laws and regulations.
28. Do not incinerate the Appliance even if it is severely damaged. The batteries can explode in a fire.
29. When not using the Charging Dock for a long period of time, please unplug it.
30. The Appliance must be used in accordance with the directions in this Instruction Manual. ECOVACS ROBOTICS cannot be held liable or responsible for any damages or injuries caused by improper use.

1. Important Safety Instructions

31. The battery must be removed from the appliance before it is scrapped.
32. The appliance must be disconnected from the supply mains when removing the battery.
33. **WARNING:** For the purposes of recharging the battery, only use the detachable supply unit GSCV0600S019V12E provided with this Appliance.
34. The robot contains batteries that are only replaceable by skilled persons.
35. The Remote Control pre-installs two non-rechargeable AAA R03 batteries. To replace the battery of the Remote Control, please turn over the Remote Control, press and remove its Battery Cover. Remove the batteries, and insert the new batteries with the correct polarity. Reassemble the Battery Cover.
36. Non-rechargeable batteries are not to be recharged.
37. Different types of batteries or new and used batteries are not to be mixed.
38. Batteries of the Remote Control are to be inserted with the correct polarity.
39. Exhausted batteries are to be removed from the Appliance and safely disposed of.
40. If the Remote Control is to be stored unused for a long period, the batteries should be removed.
41. The supply terminals are not to be short-circuited.

For EU Countries

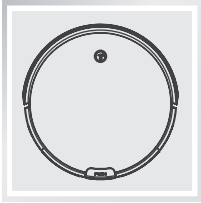


Correct Disposal of this Product

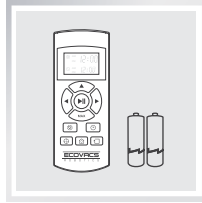
This marking indicates that this product should not be disposed of with other household waste throughout the EU. To prevent possible harm to the environment or human health from uncontrolled waste disposal, recycle it responsibly to promote the sustainable reuse of material resources. To recycle your used device, please use the return and collection systems or contact the retailer where the product was purchased. They can safely recycle this product.

2. Package Contents and Technical Specifications

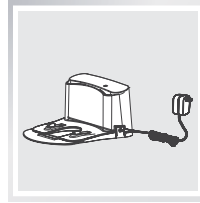
2.1 Package Contents



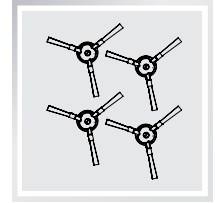
Robot



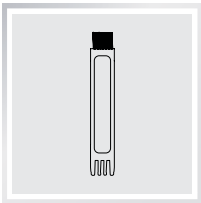
Remote Control with Batteries



Charging Dock with Power Adapter



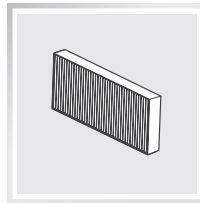
(4) Side Brushes
(2 pre-installed,
2 replacements)



Cleaning Tool



Instruction Manual



High Efficiency Filter

2.2 Specifications

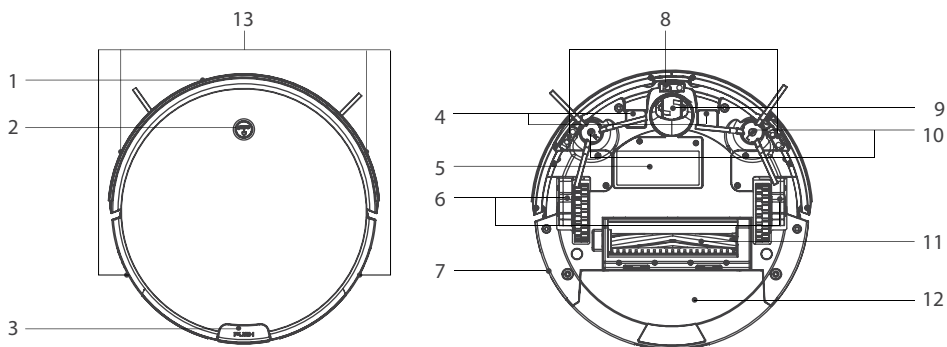
Model	DM82		
Working Voltage	14.8V DC	Rated Power	22W
Battery Model	Lithium battery UR18650ZT-4S1P-AAF	Battery Specification	Lithium 14.8V 2600mAh
Charging Dock			
Rated Input Voltage	19V DC	Rated Output Current	0.6A
Power Adapter: GSCV0600S019V12E			
Input: 100-240V AC 0.5A 50/60Hz		Output: 19V DC 0.6A	
Remote Control			
Remote Control Battery Model	AAA R03	Remote Control battery input voltage	1.5V DC

* Technical and design specifications may be changed in the course of continuous product improvement.

2. Package Contents and Technical Specifications

2.3 Product Diagram

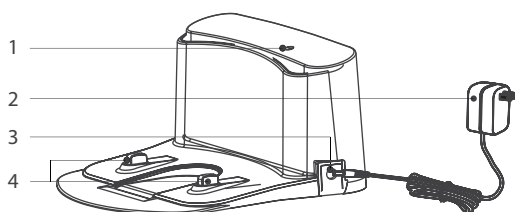
Robot



1. Anti-Collision Sensors
2. AUTO Mode Button
3. Dust Bin Release Button
4. Charging Contacts
5. Battery Cover
6. Driving Wheels
7. Side Power Switch

8. Anti-Drop Sensors
9. Universal Wheel
10. Side Brushes
11. Main Brush
12. Dust Bin
13. Infrared Receiver for Remote Control

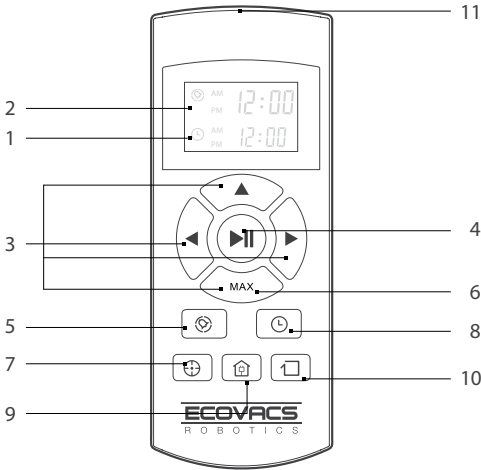
Charging Dock



1. Power Indicator Light
2. Power Adapter
3. Power Adapter Port
4. Charging Dock Pins

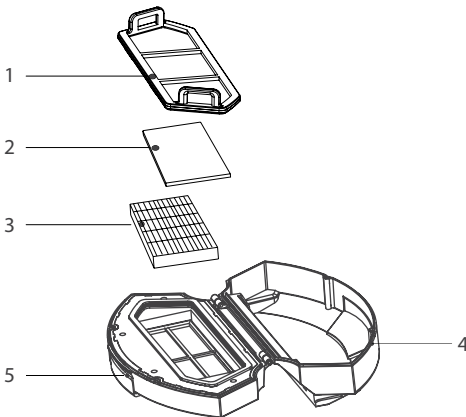
2. Package Contents and Technical Specifications

Remote Control



1. Current Time Display
 2. Scheduled Cleaning Time Display
 3. Direction Control Buttons
 4. START/PAUSE Button
 5. Time Scheduling Button
 6. MAX Button
- Press to:
- Adjust current time and scheduled cleaning time.
 - Turn the robot around 180 degrees.
 - Increase suction power for deep cleaning.
7. Spot Cleaning Mode Button
 8. Set Current Time Button
 9. Return to Charger Mode Button
 10. Edge Cleaning Mode Button
 11. Infrared Emitter

Dust Bin

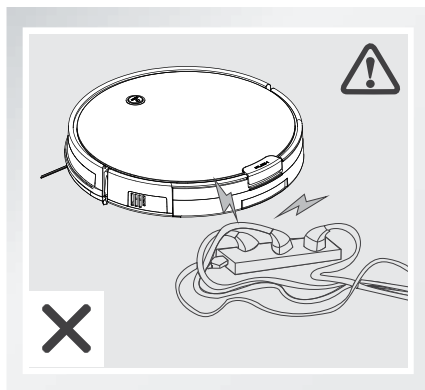


1. Filter Net
2. Sponge Filter
3. High Efficiency Filter
4. Dust Bin
5. Dust Bin Cover

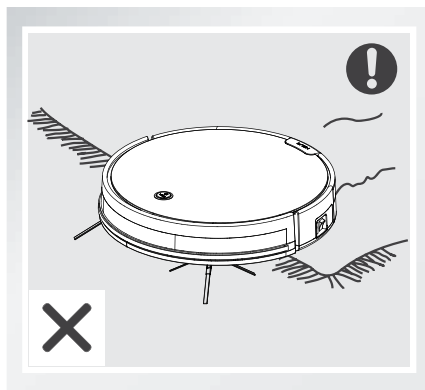
3. Operating and Programming

3.1 Notes Before Cleaning

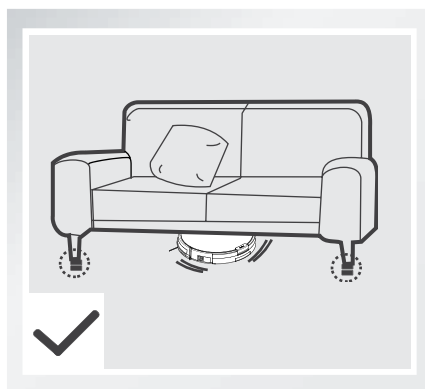
Before operating DEEBOT, take a few moments to survey the area to be cleaned and remove any obstacles.



Remove power cords and small objects from the floor that could entangle the product.

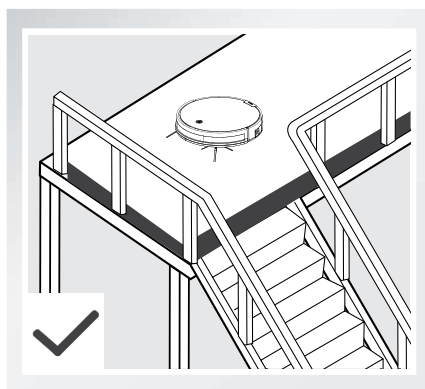


The product is not suitable for use on long-pile carpet. Before using the product near an area rug or on a short-pile area rug with tasseled edges, please fold area rug edges under themselves.



Please be aware that the robot needs at least an 8 cm (3") clearance to clean under furniture without complications.

Please be aware that the top cover of this Appliance is tempered glass. While tempered glass is safer and stronger than standard glass, please handle with care to avoid scratching or breakage.



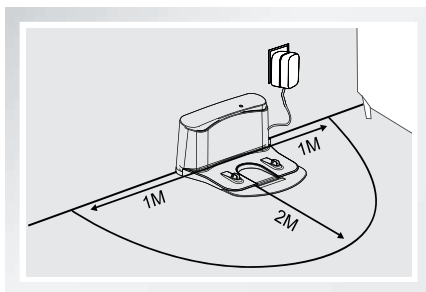
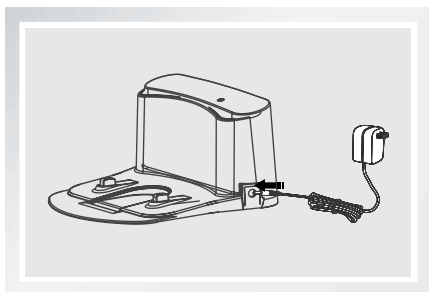
If there is a step or stairs the cleaning area, please operate DM82 to ensure its Anti-Drop Sensors can detect the drop off. It may be necessary to place a physical barrier at the edge of the drop off to keep the unit from falling over the edge.

3. Operating and Programming

3.2 Quick Start

1 Charging Dock Placement

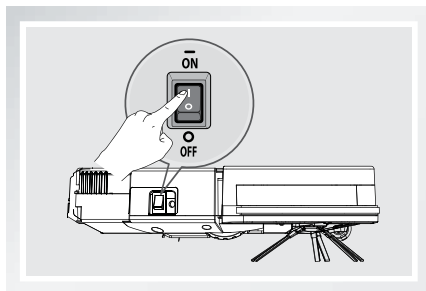
- Connect the Power Adapter to the Charging Dock.
- Place the Charging Dock on a level floor surface against the wall with the base perpendicular to the ground. Keep the immediate area 2m (6.6') in front of the charger and 1 m (3.3') on both sides of the charger clear of objects and reflective surfaces.
- Plug the Charging Dock in.



2 Power ON

- Turn the robot's Side Power Switch to the ON position. "I" indicates ON and "O" indicates OFF.

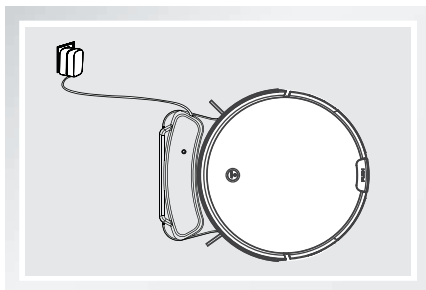
* DM82 is powered ON when the AUTO Mode Button on the robot flashes GREEN.



3 Charge DM82

- Place DM82 on the Charging Dock making sure the Charging Contacts on DM82 and the Charging Dock Pins make a connection.
- Charge DM82 for at least 4 hours before the first use.

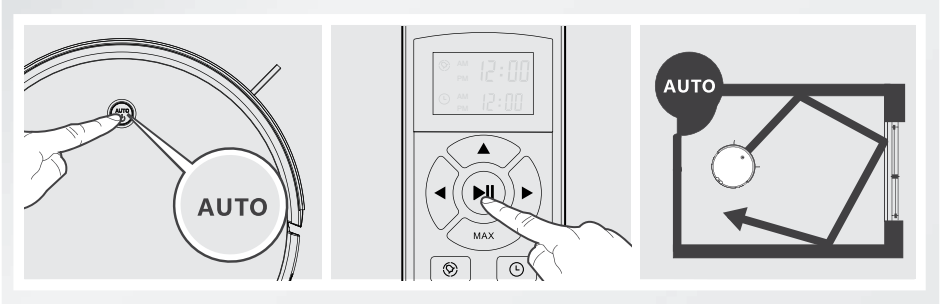
* The AUTO Mode Button on the robot flashes ORANGE when DM82 is charging and glows a continuous GREEN when it is fully charged.



3. Operating and Programming

4 Start

- Press the AUTO Mode Button on DM82 or the START/PAUSE Button on the Remote Control.. DM82 starts to work immediately in AUTO Cleaning Mode.

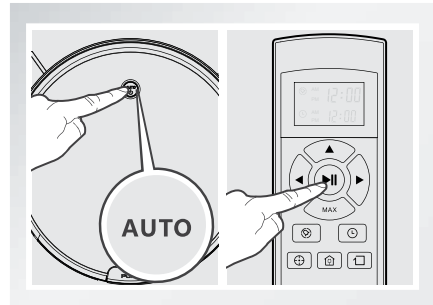


* To choose another Cleaning Mode, please refer to section 3.3 Cleaning Mode Selection for details.

5 Pause

- Pause DM82 by pressing the AUTO Mode Button on DM82 or the START/PAUSE Button on the Remote Control.

* DM82 can be directed to move forward, left and right, and turn around, by using the Direction Control Buttons and MAX Button on the Remote Control when it is Paused.



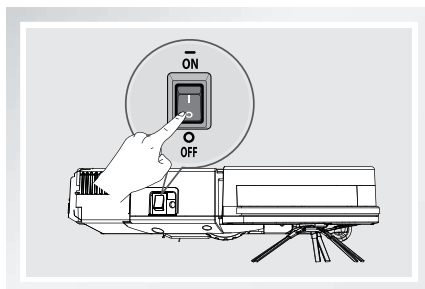
* If DM82 is Paused for more than 45 seconds it goes to sleep to save battery power, the AUTO Mode Button on the robot does not flash and buttons on the Remote Control are disabled. To wake up DM82, press the AUTO Mode Button on the robot or the START/PAUSE Button on the Remote Control.

3. Operating and Programming

6 Power OFF

- Pause DM82. Move the Side Power Switch to the OFF position.

* When DM82 is not cleaning, it is suggested to keep it powered ON and charging instead of powered OFF.



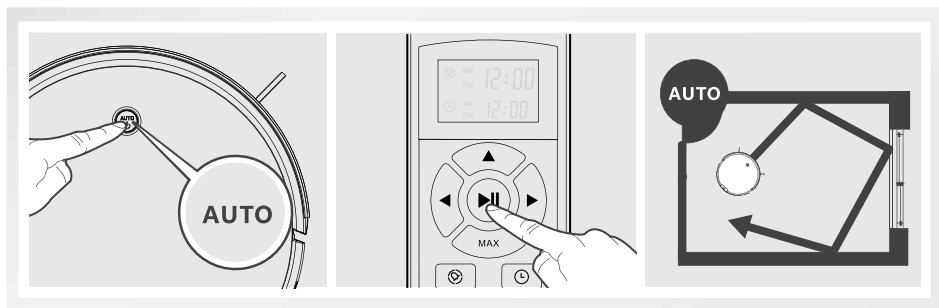
3.3 Cleaning Mode Selection

DM82 has several cleaning modes to choose from to effectively clean different floors. Cleaning modes are selected using the Remote Control or the AUTO Mode Button on the robot.

* Before selecting a cleaning mode, make sure the AUTO Mode Button on DM82 flashes GREEN. If not, press the AUTO Mode Button on the robot or the START/PAUSE Button on the Remote Control to wake up the robot.

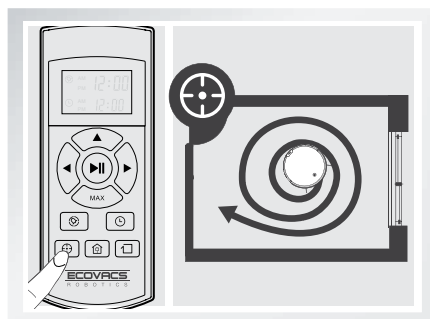
1 AUTO Cleaning Mode

- This is the most commonly used mode. In AUTO Cleaning Mode, DM82 cleans in a straight line and changes direction when it meets an obstacle.



2 Spot Cleaning Mode

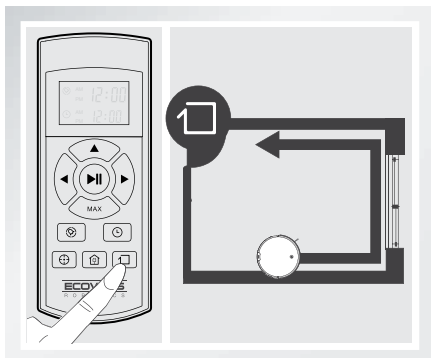
- This mode is applicable for an area of highly concentrated dirt or dust. In Spot Cleaning Mode, DM82 focuses on a specific area to clean. DM82 stops or resumes auto cleaning when it completes spot cleaning.



3. Operating and Programming

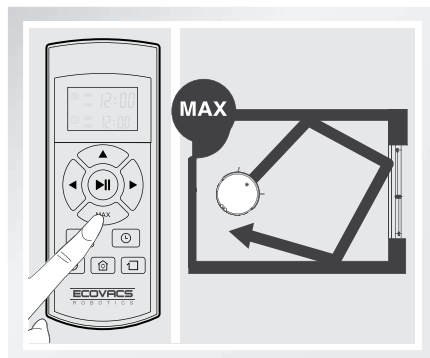
3 Edge Cleaning Mode

- This mode is good for cleaning the edges and corners of a room. In Edge Cleaning Mode, DM82 cleans along a border (e.g. wall).



4 MAX Cleaning Mode

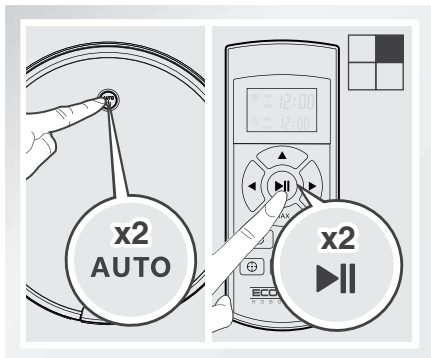
- This mode is used to increase the suction power of any other cleaning mode already in process. Begin cleaning in the desired cleaning mode, then press the MAX button to increase suction power for deep cleaning.



5 Single Room Mode

- This mode is used if DM82 only needs to clean a single room. Press the AUTO Mode Button on the robot twice or the START/PAUSE Button on the Remote Control twice, DM82 starts to clean in Single Room Mode, stops and beeps when and where it completes cleaning.

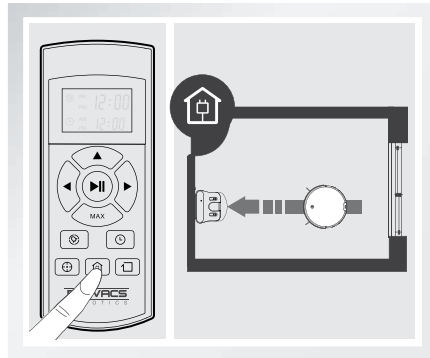
* The room must be contained for Single Room Mode to function properly. Close doors to the room entrance and exit to contain the room.



6 Return to Charger Mode

- When battery power gets low, DM82 automatically switches to Return to Charger Mode and returns to the Charging Dock to recharge itself.

* DM82 can also be sent back to the Charging Dock at any time by pressing the Return to Charger Button on the Remote Control.



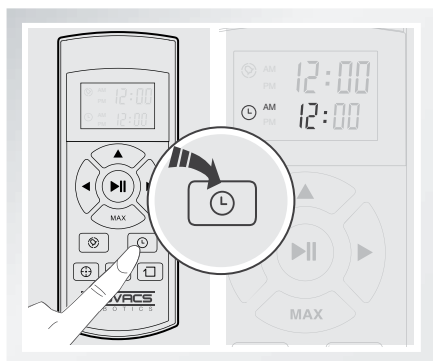
3. Operating and Programming

3.4 Programming the Robot

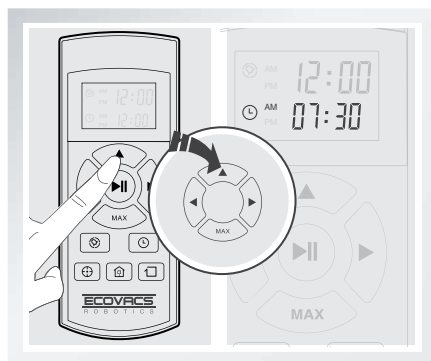
DM82 has a Time Scheduling function. DM82 can be programmed to automatically clean once per day, at a specific time even if nobody is at home. The current time of day and the cleaning time are scheduled using the Remote Control.

- * All scheduled cleanings are performed in AUTO Cleaning Mode.
- * Before programming the robot, make sure the AUTO Mode Button on DM82 flashes GREEN. If not, press the AUTO Mode Button on the robot or the START/PAUSE Button on the Remote Control to wake up the robot.
- * When programming the robot with the Remote Control, point the Remote Control towards the robot. Every scheduling step using the Remote Control triggers a beep from the robot as a response. The step is invalid without an emitted beep.

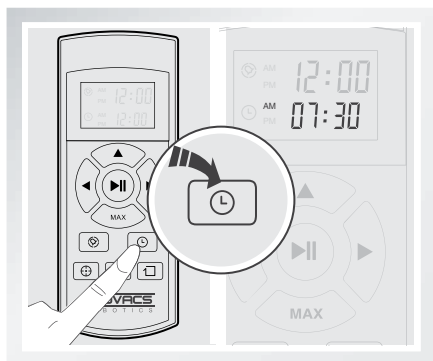
1 Set the Current Time of Day



Press the Set Current Time Button on the Remote Control. The "hour" in the second line on the screen flashes.



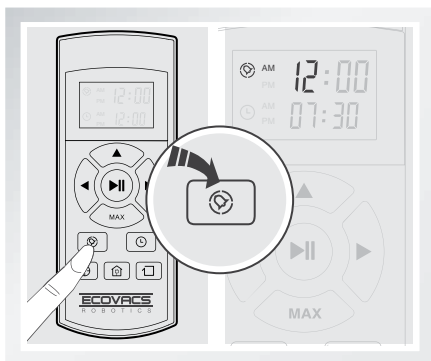
Press the up Direction Control Button and the MAX Button to adjust "hour" and "minute" number. Press the left and right Direction Control Buttons to switch between hour and minute.



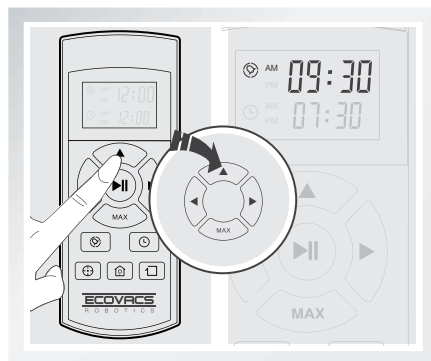
Press the Set Current Time Button on the Remote Control to confirm and save the current time of day.

3. Operating and Programming

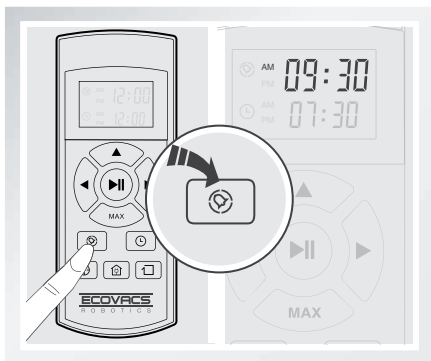
2 Schedule the Cleaning Time



Press the Time Scheduling Button on the Remote Control to schedule automatic cleaning. The "hour" in the first line on the screen flashes.



Press the up Direction Control Button and the MAX Button to adjust "hour" and "minute" number. Press the left and right Direction Control Buttons to switch between hour and minute.

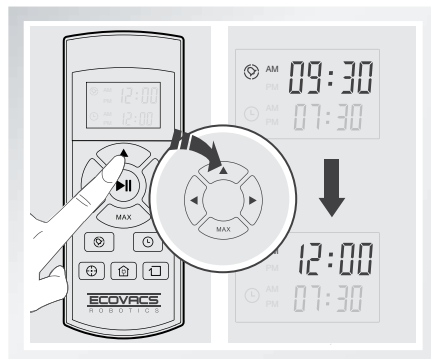


Press the Time Scheduling Button on the Remote Control to confirm and save the scheduled cleaning time. DM82 will automatically clean at the scheduled cleaning time every day.

3 Cancel Scheduled Cleaning Time

Adjust the time in the first line on the Remote Control screen to "12:00 AM" and save. The scheduled cleaning time is cancelled.

* After replacing batteries in the Remote Control, reset the current time and scheduled cleaning time.



3. Operating and Programming

3.5 Indicator Light and Alarm Sounds

Indicator Light

AUTO Mode Button on DM82	Status
Flashes ORANGE	The robot is charging.
Glowes a continuous GREEN	The robot is fully charged.
Flashes GREEN	The robot is powered ON and is awake.
Glowes a continuous RED	The robot has a problem.
Flashes ORANGE	The robot has low battery.
Glowes a continuous GREEN	The robot is cleaning.

Alarm Sounds

If DM82 detects a problem, it emits alarm beeps and the AUTO Mode Button glows RED.

Alarm Sound	Problems	Solution
One Beep	Driving Wheel or Side Brush malfunction.	Check Driving Wheels and Side Brushes for debris and clean as described in section 4 Maintenance.
Two Beeps	Anti-Drop Sensor malfunction	Wipe the Anti-Drop Sensors clean as described in section 4 Maintenance.
Three Beeps	The robot is stuck.	Move the robot by hand to a different area.
Four Beeps	Main Brush malfunction.	Check the Main Brush as described in section 4 Maintenance.

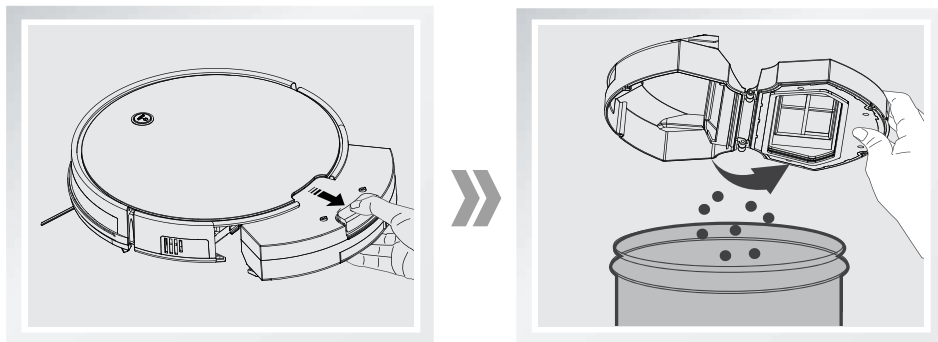
Note: If the problem persists, please turn OFF the Side Power Switch then turn ON to restart the robot. If this does not solve the problem, please contact Customer Service.

4. Maintenance

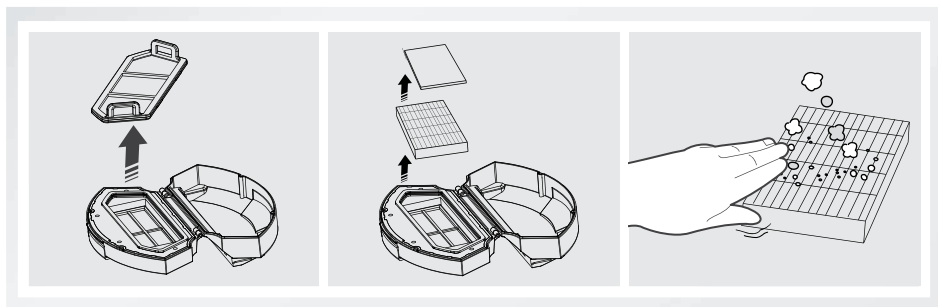
Before performing cleaning and maintenance on DM82, power OFF the robot and unplug the Charging Dock.

4.1 Dust Bin and Filters

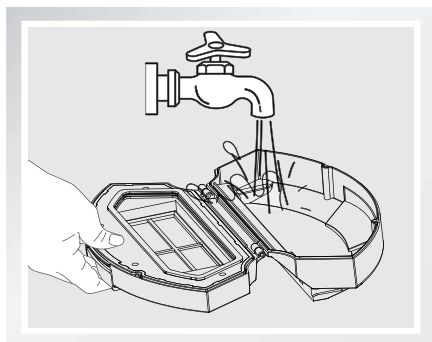
Press the Dust Bin Release Button and remove the Dust Bin from the rear of DM82. Hold the Dust Bin level and open the Dust Bin Cover. Empty the Dust Bin.



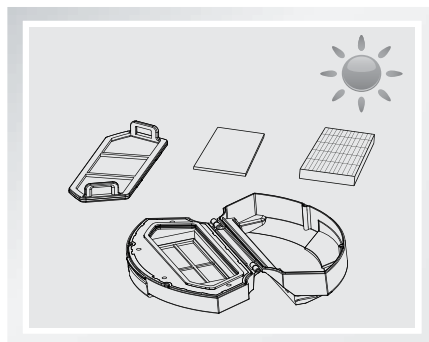
Pull the two handles on the Filter Net to remove it. Remove the Sponge Filter and the High Efficiency Filter. Pat the High Efficiency Filter clean. Do not rinse the High Efficiency Filter under water.



Rinse the Dust Bin, Filter Net and Sponge Filter under running water.



Dry the Dust Bin, Filter Net and Sponge Filter completely before reinstalling.



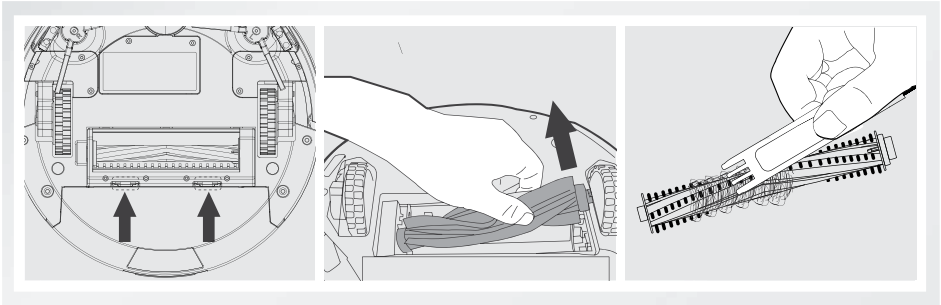
4.2 Main Brush and Side Brushes

Cleaning the Main Brush

Turn the robot over. Push the two tabs on the Main Brush Cover to remove it.

Remove the Main Brush.

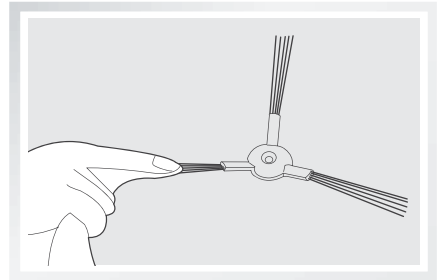
Use the provided Cleaning Tool to remove any hair tangled around the Main Brush.



Cleaning the Side Brushes

Remove the Side Brushes with a screwdriver.

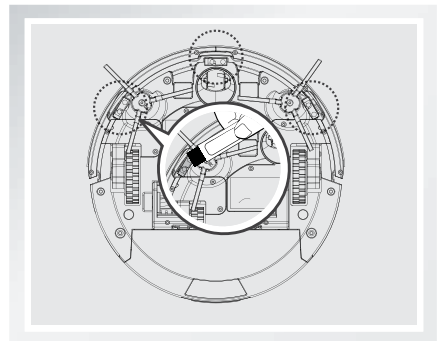
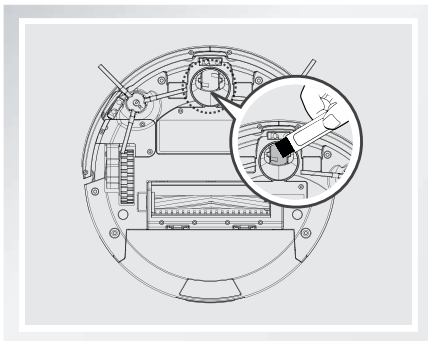
Wipe the Side Brushes clean with a dry cloth.



4.3 Other Components

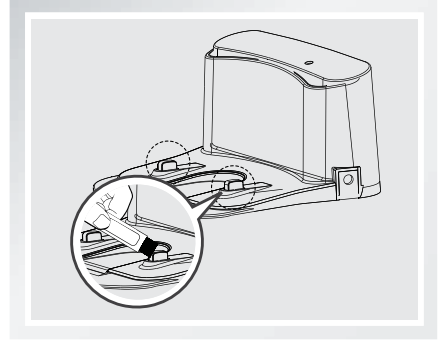
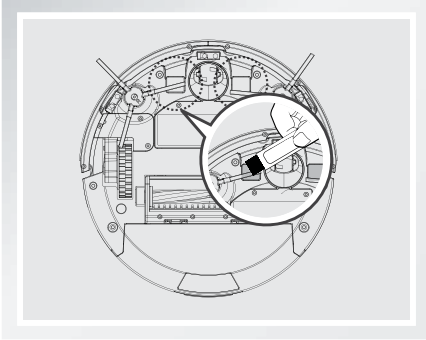
Use the provided Cleaning Tool to remove any hair tangled around the Universal Wheel.

Wipe the Anti-Drop Sensors with the brush side of the provided Cleaning Tool to maintain their effectiveness.



4. Maintenance

Wipe the Charging Contacts and Charging Dock Pins with the brush side of the provided Cleaning Tool to maintain their effectiveness.



Wipe the top cover of the robot with a soft dry or slightly damp cloth. Do not use cleaning solutions on the top cover as it could damage the surface. The top cover is tempered glass. While tempered glass is safer and stronger than standard glass, please handle with care to avoid scratching or breakage.

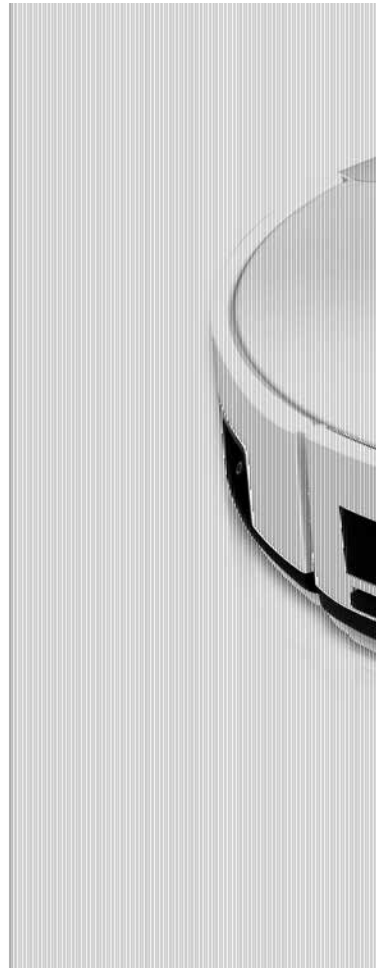
5. Troubleshooting

Please use this chart to troubleshoot common problems using DM82.

No.	Malfunction	Possible Cause	Solutions
1	DM82 will not charge.	DM82 is not powered ON.	Move DM82's Side Power Button to the ON position.
		DM82 has not made a connection with the Charging Dock.	Be sure that DM82's Charging Contacts have made a connection with the Charging Dock Pins. You may move the robot manually to make the connection if necessary.
		Charging Dock is unplugged while DM82 is powered ON, which causes battery consumption.	Plug in the Charging Dock and ensure DM82 is powered ON. Keep DM82 on the Charging Dock to make sure it has a full battery to work at any time.
		The battery is completely discharged.	Re-activate the battery. Place DM82 on the Charging Dock by hand, remove after charging for 3 minutes, repeat 3 times; then charge normally.
2	DM82 gets into trouble while working and stops.	DM82 is tangled with something on the floor (electrical cords, drooping curtains, carpet fringe etc.).	DM82 will try various ways to get itself out of trouble. If it is unsuccessful, manually remove the obstacles and restart.
3	DM82 returns to the Charging Dock before it finishes cleaning.	When battery power gets low, DM82 automatically switches to Return to Charger Mode and returns to the Charging Dock to recharge itself.	This is normal. No solution necessary.
		Working time varies according to floor surface, room complexity and the selected Cleaning Mode.	This is normal. No solution necessary.

5. Troubleshooting

No.	Malfunction	Possible Cause	Solutions
4	DM82 will not clean automatically at scheduled time.	Time Scheduling function is cancelled.	Set Time Scheduling function as described in section 3.4.
		DM82 is powered OFF.	Power ON DM82.
		The robot's battery is low.	Keep DM82 powered ON and on the Charging Dock to make sure it has a full battery to work at any time.
		DM82's components are tangled with debris.	Power OFF DM82, clean the Dust Bin, and invert the robot. Clean Side Brushes and the Main Brush as described in section 4.
5	Remote Control failure (effective control range of Remote Control is 5m /16').	The batteries in the Remote Control need to be replaced.	Replace with new batteries making sure they are installed correctly.
		DM82 is powered OFF or DM82's battery is low.	Make sure DM82 is powered ON and fully charged.
		The infrared signal cannot be transmitted because the Infrared Emitter on the Remote Control or DM82's Infrared Receiver on DM82 is dirty.	Use a dry cloth or the brush side of the provided Cleaning Tool to wipe the Infrared Emitter on Remote Control and the Infrared Receiver on DM82.
		There is other equipment interfering with the infrared signal to DM82.	Avoid using the Remote Control near other equipment using infrared signals.



DM82-EU01-IM2014R04