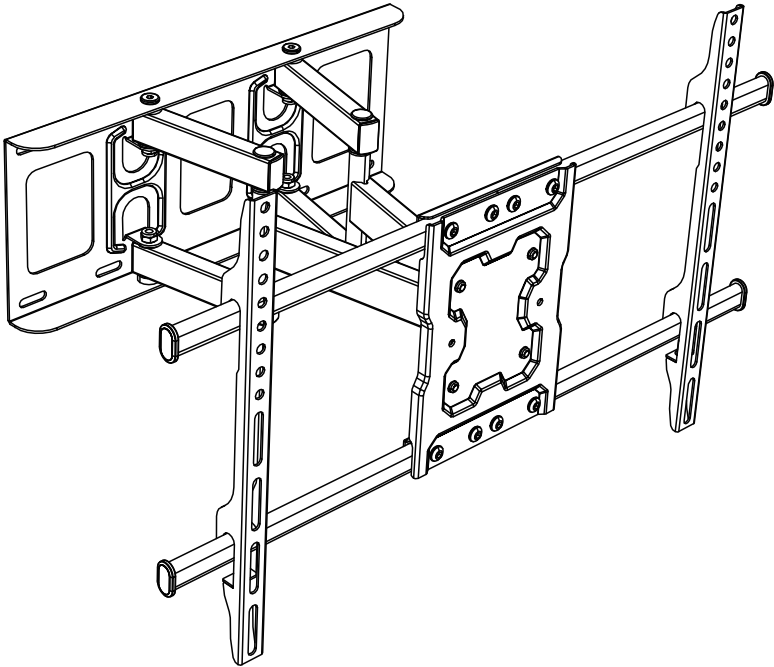




LARGE FULL-MOTION TV WALL MOUNT

V2.0



PILFK1

Thank you for choosing our product! We strive to provide the best quality and services for our customers. Would you kindly share your experience on Amazon if you are satisfied? Should you have any issues, please don't hesitate to contact us.

Telephone: 800-556-9829 Mon-Fri 10am - 6pm (PST) (USA)

Email: supportus@pipishell.net (US/CA/DE/UK/FR/IT/ES/JP/AU)

WARNING!

- * **WARNING! SEVERE PERSONAL INJURY AND PROPERTY DAMAGE CAN RESULT FROM IMPROPER INSTALLATION OR ASSEMBLY. READ THE FOLLOWING WARNINGS BEFORE BEGINNING.**
- * If you do not understand the instructions or have any concerns or questions, please contact a qualified installer.
- * Do not install or assemble if the product or hardware is damaged or missing. Not all parts and hardware included must be used. If you require replacement parts, contact customer service at supportus@pipishell.net
- * This product has been designed for use on a vertical wall constructed of wood studs. Wood studs being defined as a wall consisting of a minimum of 2" x 4" studs with a maximum of 1/2" of wall covering (drywall, lath, plaster). For custom installations please contact a qualified installer. For safe installation, the wall you are mounting to must support 4 times the weight of the total load. If not, the surface must be reinforced to meet this standard. The installer is responsible for verifying that the wall structure/surface will safely support the total load.
- * **DO NOT EXCEED THE MAXIMUM WEIGHT CAPACITY FOR THIS PRODUCT.**

WEIGHT CAPACITY



CAUTION!



MAXIMUM WEIGHT CAPACITY

USE WITH PRODUCTS LARGER THAN THE MAXIMUM WEIGHT AND SIZE MAY RESULT IN INSTABILITY CAUSING POSSIBLE INJURY. USER MUST REMOVE TELEVISION OR OBJECT OFF THE BRACKET BEFORE ADJUSTING. NOT SUITABLE FOR A TV THAT SURPASSES THE TELEVISION MAXIMUM WEIGHT CAPACITY AND RECOMMENDED DIAGONAL MEASURED TV SIZE!

Tools Needed (Not Included)



Stud Finder



Tape measure



Pencil



Drill



**1/5 in.
(5mm)
Wood Drill**



**2/5 in.
(10mm)
socket wrench**



**1/2 in.
(13mm)
socket wrench**

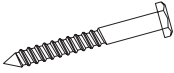


Screw driver



Hammer

Supplied Hardware



M8
A1(4PCS)



M8
A3(4PCS)



M6
B1(8PCS)



L20mm
B2(4PCS)



L5mm
C(8PCS)



M6X12mm
D1(4PCS)



M6X30mm
D2(4PCS)



M8X15mm
E1(4PCS)



M8X45mm
E2(4PCS)



M6X10mm
*(2pcs with part 01)
F1(4PCS)



M8X20mm
F2(8PCS)



bubble level
(1PC)

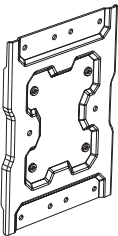


Anchor
A2(4PCS)

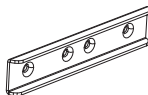


CAUTION!

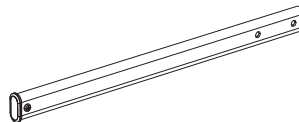
These anchors are for
concrete or brick walls
ONLY. DO NOT use them
in drywall or wood studs.



1PC **01**



2PCS **02**

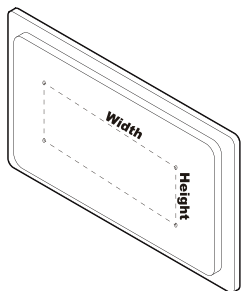


4PCS **03**



allen wrench 5x5
(1PC) **04**

Step 1 Before TV bracket installation



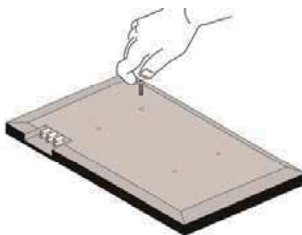
75 mm ≈ 2 7/8 in	100 mm ≈ 4 in
200 mm ≈ 7 7/8 in	300 mm ≈ 11 3/4 in
400 mm ≈ 15 3/4 in	600 mm ≈ 23 3/5 in

Measure the distance between the holes located at the back of your TV (these measures may form the shape of a square, or a rectangle) and check that these taken measures are within the VESA(*) range for this wall mount.

(*) VESA: International standard established by the TV manufacturers used to determine if LCD / LED TVs are compatible with wall mounts.

Check TV screws

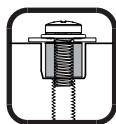
Please select the proper screw length for your TV by hand tightening to check your plate panel thread depth.



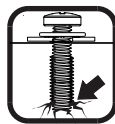
Manual Only!



When attaching brackets to the flat screen, be careful not to over tighten screws and be sure that screws do not bottom out in the mounting holes.



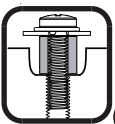
Too Short



Too Long



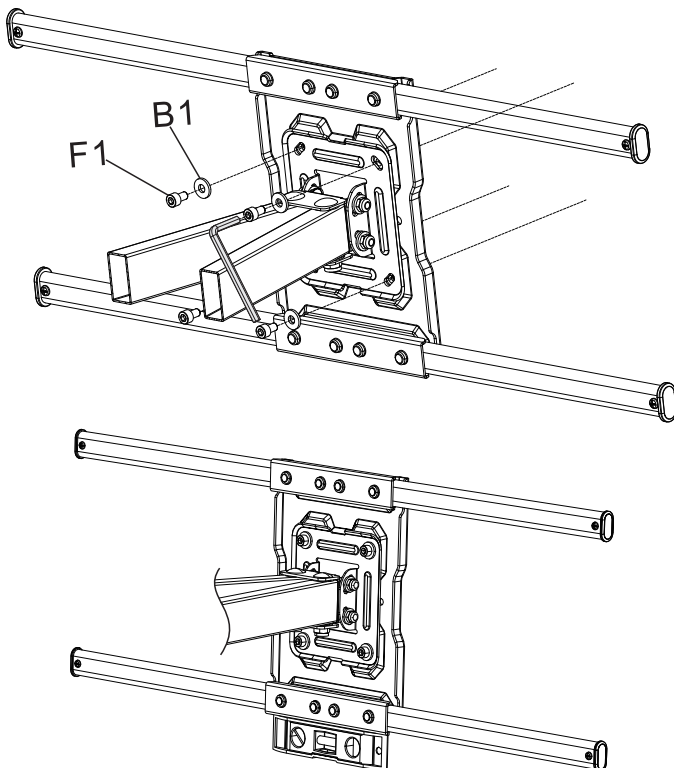
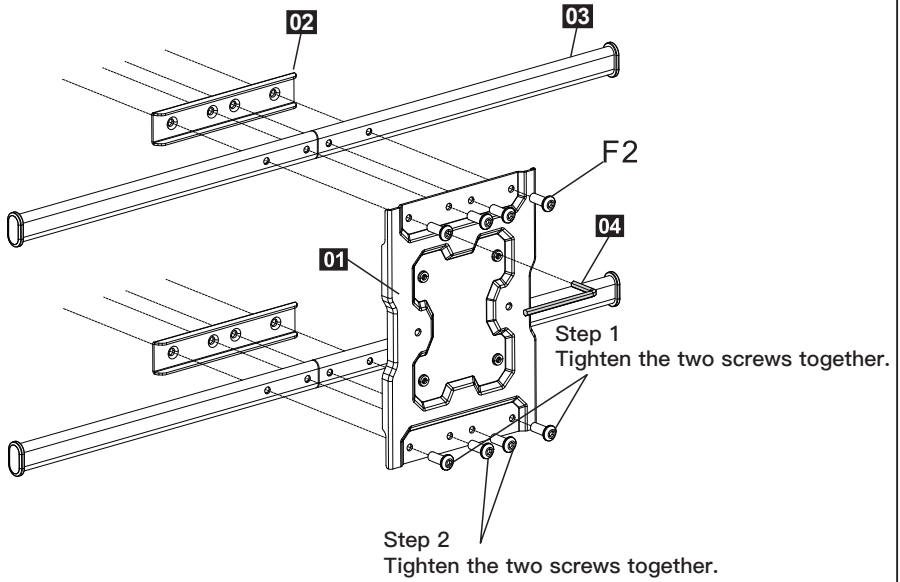
Correct



Correct

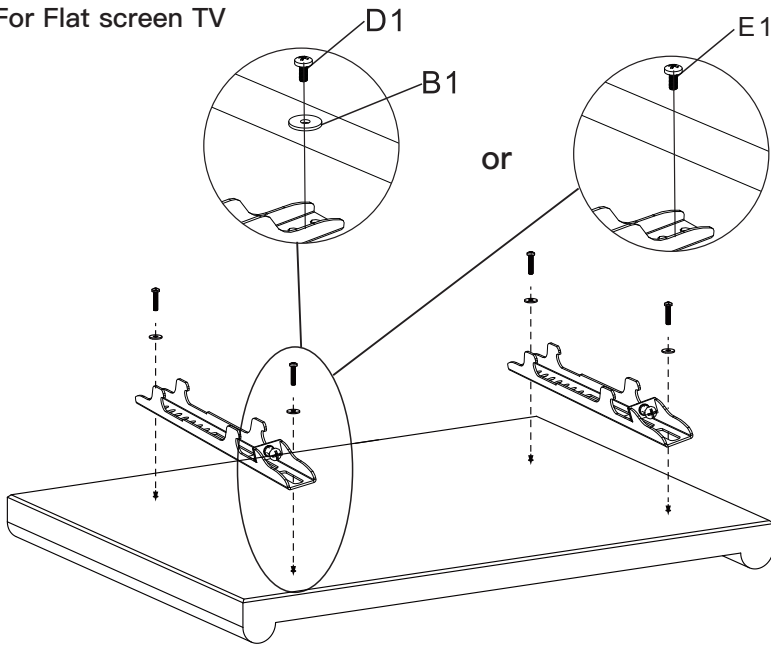


Step 2



Step 3 Install TV bracket

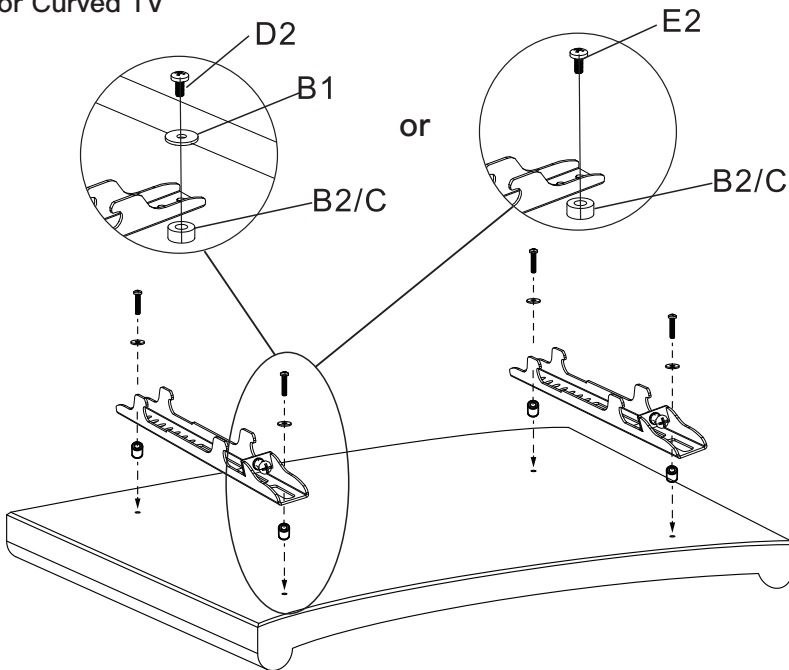
For Flat screen TV



Manual Only!



For Curved TV



Manual Only!

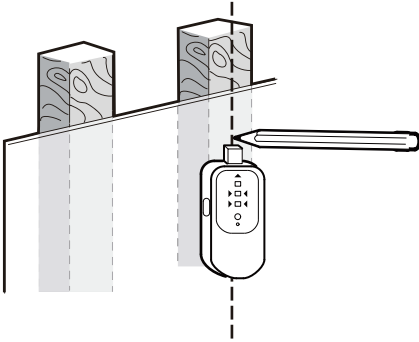


Step 4A

⚠ CAUTION: Ensure the wall plate is securely fastened to the wall before continuing on to the next step. These anchors are for concrete or brick walls **ONLY**. DO NOT use them in drywall or wood studs.



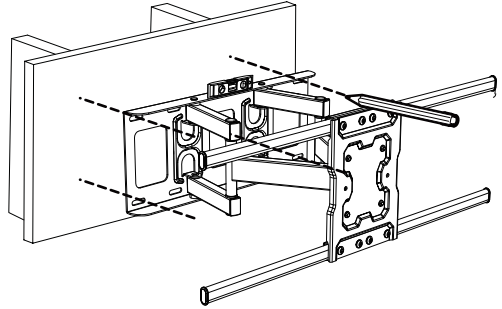
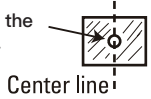
4A-1



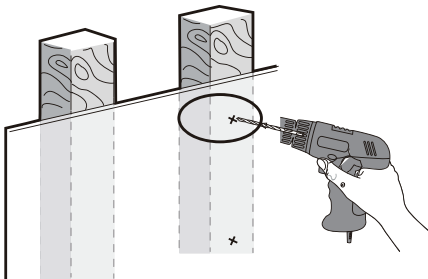
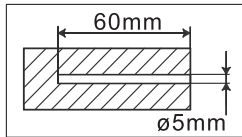
Use a stud finder (not included) to locate wood stud. Mark the edge and center locations.

4A-2

Ensure marking at the center of the stud.



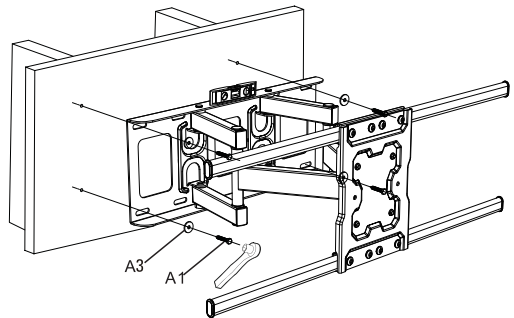
4A-3



Drill 4 pilot holes using a 1/5 in. (5mm) diameter drill bit. Make sure the depth is not less than 2 3/8 in. (60mm).

4A-4

Mount the wall plate using 4 sets of 2 3/8 in. lag bolts A1 and washers A3 with a 1/2 in. socket wrench (not included).



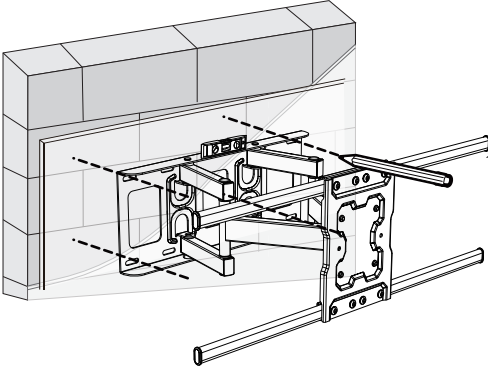
1/2 in. (13mm)
socket wrench

Step 4B

CAUTION: Ensure the wall plate is securely fastened to the wall before continuing on to the next step. These anchors are for concrete or brick walls ONLY. DO NOT use them in drywall or wood studs.

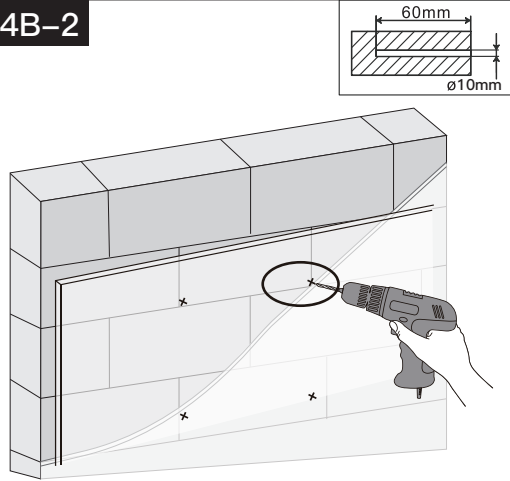


4B-1



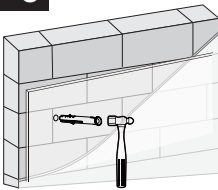
Position the wall plate at your desired height, level the wall plate and mark the pilot hole locations.

4B-2

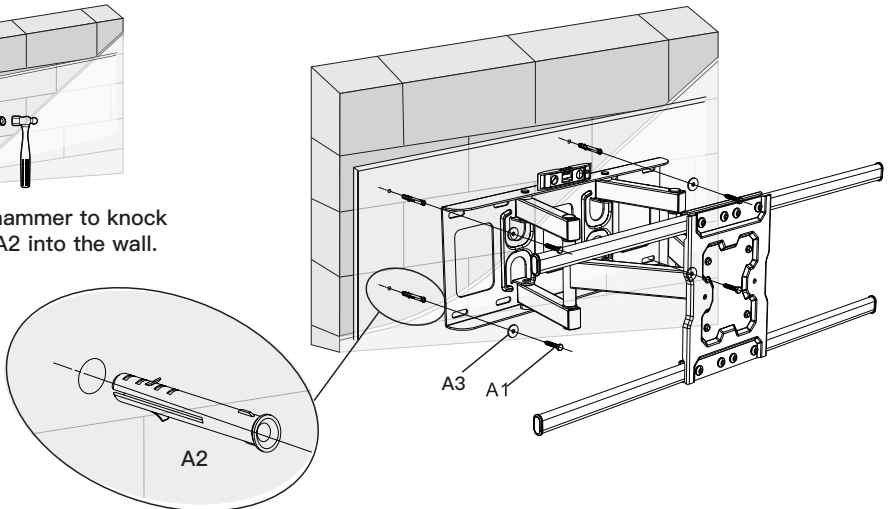


Drill 4 pilot holes using a 2/5 in. (10mm) diameter drill bit. Make sure the depth is not less than 2 3/8 in. (60mm).

4B-3



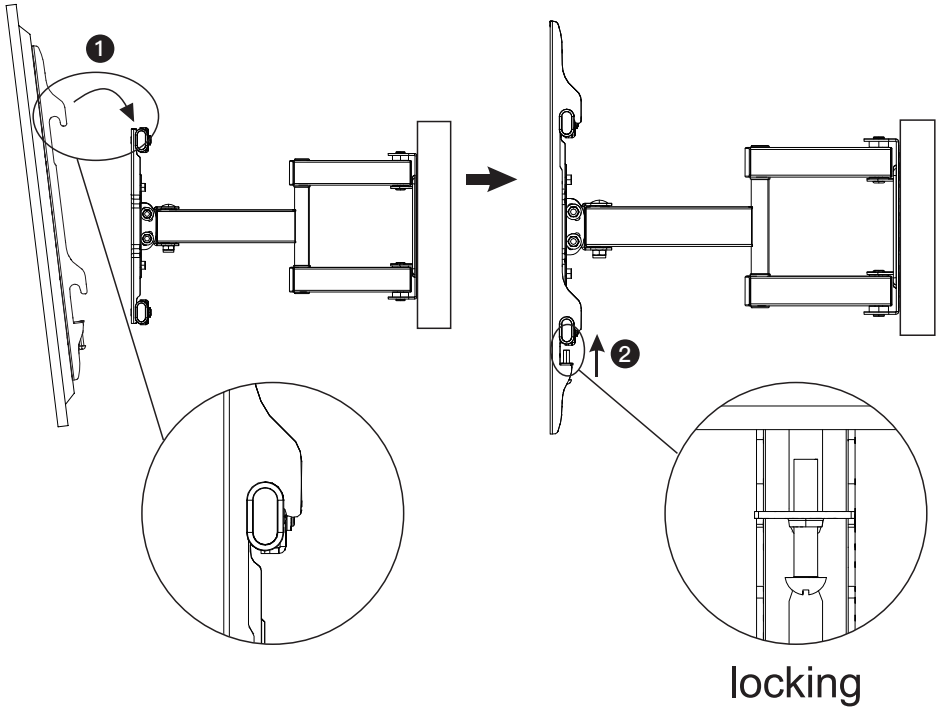
Use the hammer to knock anchors A2 into the wall.



Install wall plate using lag bolts A1, washers A3 and anchor A2. Tighten the lag bolts until they are pulled firmly against the wall plate.

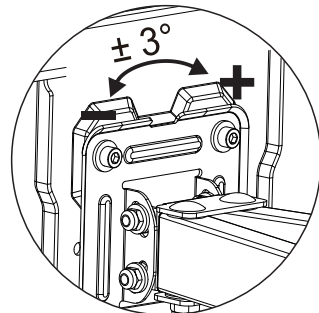
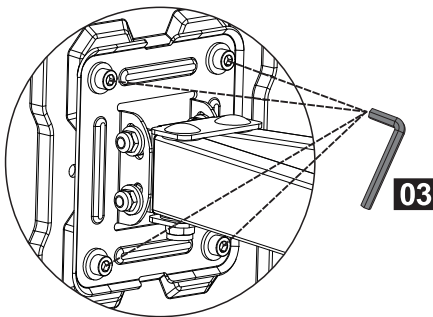
Step 5

Mounting your TV to the Brackets and lock it.



Step 6 Post Installation Level

If needed, the TV can be leveled ± 3 degrees.



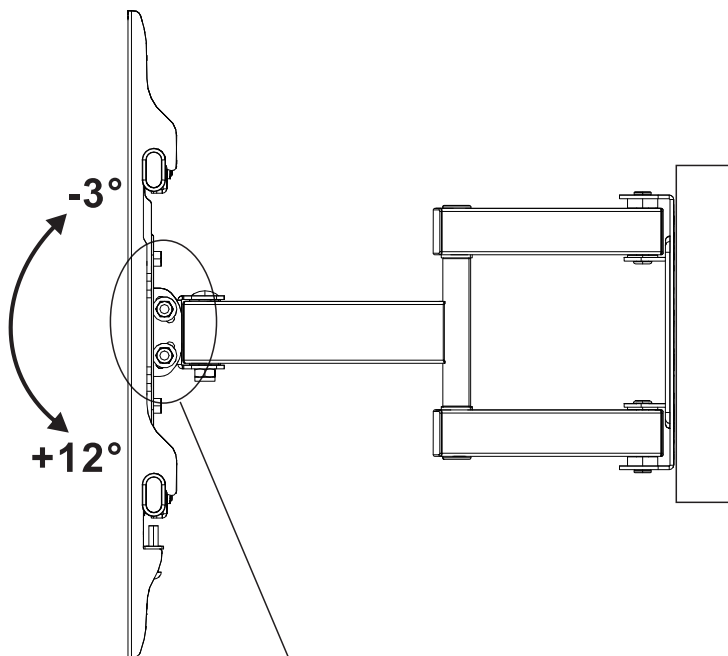
Level the TV



Step 7 Tilt adjustment



socket wrench



Tilt adjustment

