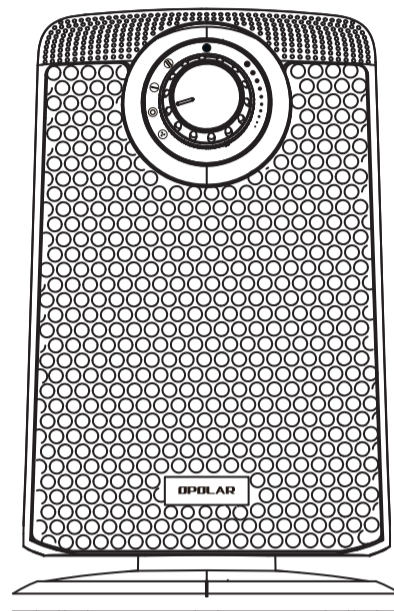


105 mm

145 mm

OPOLAR HE09 Electric Bathroom Heater User Manual



Always here to help you

Visit www.opolar.com to register the product to extend its warranty to 18 months.
For any questions or help, please send an email to support@opolar.com

Introduction

Thank you for purchasing OPOLAR Bathroom Heater. Each unit has been manufactured to ensure safety and reliability. We have checked them all before sending out.
Before using the bathroom heater for the first time, please read the user manual carefully and save it for future reference. This bathroom heater is designed for residential use only. It is not intended for commercial or industrial settings.

Product Features

- Safe for bathroom use (IP21 rating protection against condensation)
- High-quality PTC heating element
- Adjustable heat settings
- Portable
- Tip-over switch Protection
- Auto-oscillation
- Overheating protection
- Temperature Setting
- ALCI Safety Plug

Precautions

When using the heater, necessary precautions should always be followed to reduce the risk of fire, electric shock, or injury to persons, including the followings:

Please read the below instructions before using this heater:

1. The Heater is designed for residential use only. Any other use is not recommended.
2. This Bathroom Heater is hot when in use. To avoid burns, do not let bare skin touch any hot surfaces. Use the handle when need to move this heater. Keep combustible materials, such as furniture, pillows, bedding, papers, clothes, and curtains at least 3feet(0.9m) away from the front of the heater and keep them away from the sides and rear, as well.
3. Plug the Bathroom Heater directly into a wall outlet/receptacle. Do not plug it into any other cord connected device, such as a surge protector, outlet adapter or power strip. Using such devices can create a fire hazard.
4. Only plug the unit directly into a 120V wall outlet, and always make sure the power source conforms to the electrical requirements of this Bathroom Heater. Please note that faulty outlet connections may cause the outlet to overheat. Always make sure the Bathroom Heater's plug fits tightly into the outlet before the operation.

— 1 —

5. Do not use this Bathroom Heater outdoors.
6. The heater has hot and sparking parts inside. Do not use this appliance in areas where gasoline, paint, or flammable liquids are used or stored.
7. Always unplug the unit from the power supply by gripping the plug and pulling it from the outlet. Never disconnect the unit from the power supply by pulling the power cord.
8. Always unplug the unit from the power supply before moving it.
9. Always unplug the unit from the power supply before cleaning or servicing.
10. Extreme caution should be exercised when using this product near children, the elderly and pets. This Bathroom Heater should not be left unattended for extended periods of time.
11. Do not leave children unattended when the heater is turned on or in operation, and do not let children play with the Bathroom Heater's packaging material.
12. Do not operate the Bathroom Heater if it has a damaged power cord. If the power cord is damaged, it must be replaced by the manufacturer, its service agent, or similarly qualified individuals to avoid any hazards.
13. Always position this Bathroom Heater on a stable, flat, and leveled surface to reduce the risk of tipping or overturning. Never place the heater on soft surfaces, such as beds or pillows, as this can cause the heater's openings to become blocked.
14. Do not place the heater on a surface where it can fall into a bathtub or container of water.
15. CAUTION: ALTHOUGH THIS DEVICE IS PROVIDED WITH WATER PROTECTION WHICH REDUCES THE RISK OF ELECTRIC SHOCK, THIS PRODUCT SHOULD NEVER BE USED NEAR WATER.
16. Do not place the heater on a surface where it can fall into a bathtub or container of water.
17. If the Bathroom Heater will not be in use, place it back in its box and store it in a dry location.
18. Do not run the power cord under the carpet or cover it with rugs or runners. Always arrange the power cord away from high traffic areas and any other area where it may be tripped over. Make sure objects do not rest on the power cord.
19. Do not insert or allow fingers or objects to enter the Bathroom Heater's ventilation or exhaust openings. This can cause damage to the blower, or cause electric shock or fire, and will void the manufacturer's warranty.
20. Do not use corrosive detergents, solvents or other similar cleaning products when cleaning the Bathroom Heater.
21. Do not place the Bathroom Heater near walls or curtains.
22. If this Bathroom Heater is damaged or malfunctioning, discontinue its use and refer to the troubleshooting section in this instruction manual. If the problem persists, contact support@opolar.com for return or customer service. Do not attempt to repair or disassemble the Bathroom Heater as this will void the warranty.

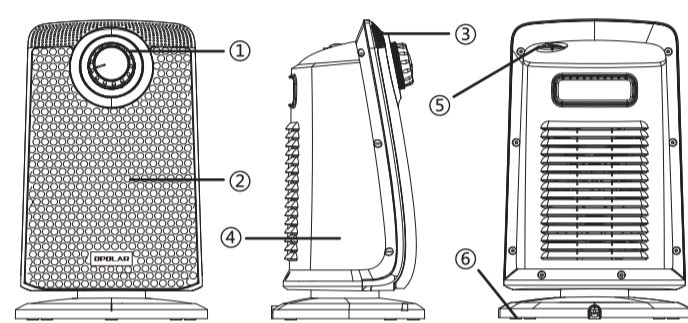
— 2 —

23. To reduce the risk of electric shock, do not immerse, remove, modify, or replace the Bathroom Heater's plug and do not place the unit where it may easily fall in the water.
24. To disconnect heater, turn controls to off, then remove plug from outlet.
25. If you use the heater in a bathroom, please place it in a safe area that is away from the water.
26. IP21 rating protects the unit against condensation due to its slope net cover at the back and front of heater.
27. Keep the unit away from any wet floor to avoid electric shock.

SAVE THESE INSTRUCTIONS. THIS PRODUCT IS FOR HOUSEHOLD USE ONLY.

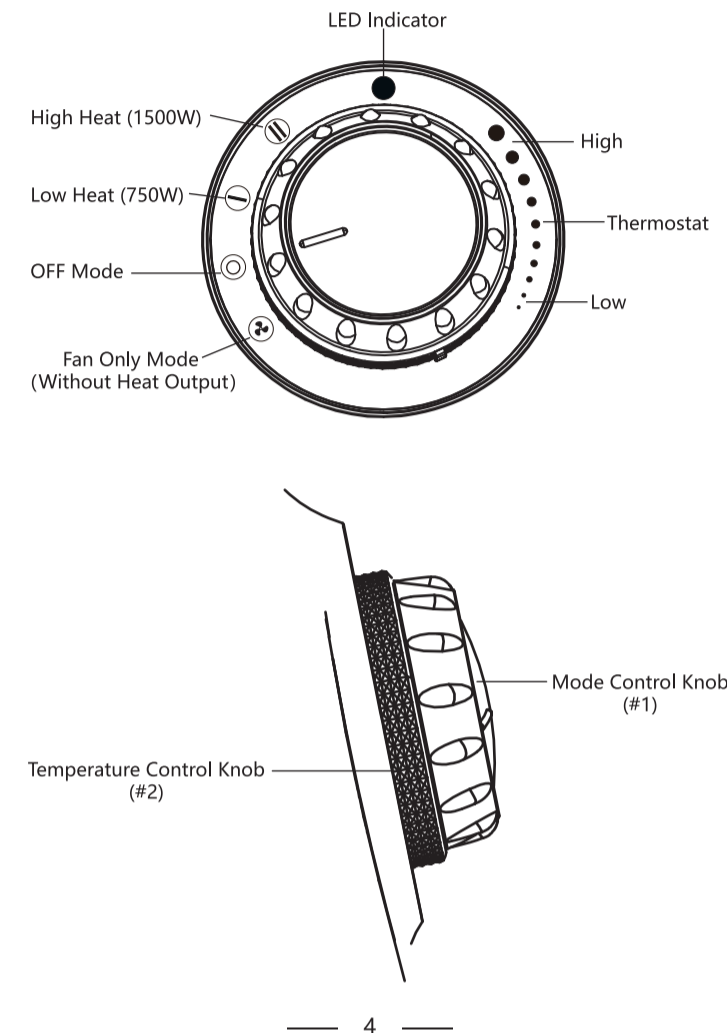
Specifications

Model	HE09
Voltage	120V/60HZ
Amps	12.5 A
Watts	Max 1500W
Unit Size	10 Inch x 8 Inch x 15 Inch



- ①: Control Panel
- ②: Wind Outlet
- ③: Front Cover
- ④: Back Cover
- ⑤: Oscillation
- ⑥: Heater Base

— 3 —



Temperature Control Knob (#2)

— 4 —

Operation

1. Carefully remove your Bathroom Heater from its box and save the box for off-season storage.
2. Make sure the Mode Control Knob (#1) is set to the OFF Mode (⊖), and the thermostat is set to the highest position before plugging the Bathroom Heater into an outlet.
3. For low heat function, turn the Mode Control Knob (#1) to (I); for high heat function, turn the Mode Control Knob (#1) to (II).
4. Before setting the thermostat, allow the Bathroom Heater to operate and warm up your room.
5. Once the desired temperature, as per your comfort level is reached, you can rotate the Temperature Control Knob (#2) clockwise to lower the thermostat setting until the Bathroom Heater stops working. When the room temperature drops, the unit will return to work. It can keep the room temperature to what you want.

Note:

- * Before turning on the unit, make sure the thermostat is set to the highest temperature.
- * If you set the desired temperature, the unit will maintain the preset temperature by cycling the heater ON and OFF. If you want to stop this, just rotate the fan to the highest temperature anti-clockwise.
- * To avoid overloading your circuit, do not use other high wattage appliances in the same outlet.
- * If you use the heater in a bathroom, please place it in a safe area that is away from the water.
- * IP21 rating protects the unit against condensation due to its slope net cover at the back and front of heater.

Overheat Protection

This heater has an internal, over-heating safety device, which automatically turns the heater off if the heater's internal components reach to a certain temperature. If it occurs, unplug the heater and wait it cool down about 5-10 minutes. Ensure the hot air outlet is free of obstruction. Once verified to be clear, the heater can be turned on.

— 5 —

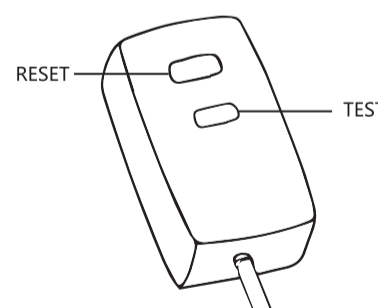
Important Cord Information

This appliance has a polarized plug (one blade is wider than the other). This plug is intended to fit into a polarized outlet only one way to reduce the risk of electric shock. If the plug does not fit entirely into the outlet, reverse the plug. If it still does not fit, contact a qualified electrician. Do not attempt to modify the plug through any way.

CHECK ALCI WITH EACH USE:

The bathroom heater is provided with a protective plug (ALCI). ALCI plugs are identifiable by a "Test" and "Reset" button. The "Reset" button trips automatically in response to a fault condition and must be re-engaged manually (by depressing the button) after the fault is removed. The "Test" button trips the reset when depressed and is used as a manual test for the device. To ensure the plug is safe, it should be checked each time before use.

1. Plug into power outlet.
2. Press the RESET button.
3. Press the TEST button, the RESET button should pop up and hear a clicking.
4. For use, press the RESET button again. Do not use if the test fails.
5. If plug fails, please contact support@opolar.com for help. Do not try to use it again.



Note: Should the ALCI safety plug trigger (i.e. RESET button pops out) during use, press the RESET button. Should the Bathroom Heater fail to reset, please write to support@opolar.com for help. Never operate this appliance if it has been dropped in water.

— 6 —

Troubleshooting

For any questions about the product, installations, returns and/or parts replacement, please email us at support@opolar.com.

PROBLEM	POSSIBLE CAUSE	CORRECTIVE ACTION
The heater does not turn on.	1. The power cord was not plugged properly. 2. The Temperature Control Knob is not in the highest position. 3. The RESET button on the power cord is not pressed down.	1. Check that the unit is well plugged into a standard 120V outlet. 2. Check that the Temperature Control Knob (#2) is set to the highest temperature. 3. Press the RESET button. If the problem persists, contact support@opolar.com for help.
The heater works for a while and then stops working	1. The safety overheat protection may have been triggered. 2. The unit tilts or falls and triggers the tip-over protection. 3. The room heat has reached to your preset temperature.	1. Plug the power cord, clear any obstructions from the front and rear of the heater, allow the heater to cool approximately 15 minutes and then turn on. 2. Put the unit back in place. 3. Rotate the Temperature Control Knob to the highest position. If the problem persists, contact support@opolar.com for help.
Circuit breaker trips or the fuse blows when the unit is turned on.	Improper circuit current	Additional appliances may exceed the current rating of the circuit breaker or fuse. Plug unit into another outlet or install it on a dedicated 12.5-amp circuit. If the problem persists, contact support@opolar.com for help.

— 7 —

Some water goes into the heater/ the socket, the heater stops working	Internal Shortcut	Unplug the unit and dry the unit/the socket completely, then press the RESET button and turn on the heater. If the heater fails to work, stop to use it and contact support@opolar.com for help.
Power cord gets warm.	1. Normal operation. 2. Improper extension cord in use.	1. The power cord may get slightly warm to the touch when the heater is on. 2. Ensure any extension cord used is rated for 1500W/12.5A. 3. If the problem persists, contact support@opolar.com for help.
The heater emits an odor.	Normal operation.	1. Normal operation is when the heater emits an odor for a brief period after the heater is initially turned on. The heater is burning off any dust accumulated during manufacturing or operation. 2. If the problem persists, contact support@opolar.com for help.

Maintenance & Cleaning

Regular cleaning and maintenance ensure your Bathroom Heater perform without defects. Always unplug the unit from the power outlet before moving or servicing.
Your heater has no user-serviceable parts. Do not disassemble. This will void your warranty. Unplug the heater before you attempt to clean it.

— 8 —

General Maintenance Instruction

1. Always unplug the Bathroom Heater from the power supply before servicing or cleaning.
2. Clean your heater with a soft cloth, moistened with water. Do not use harsh detergents, solvents or corrosive cleaners to clean the unit, and do not let the unit's motor and electrical components come into contact with water.
3. Vacuum the air intake grill with your vacuum's brush attachment every few weeks, for optimal performance
4. Do not submerge the Bathroom Heater in water.
5. Thoroughly dry all of the Bathroom Heater's parts with a soft cloth before reconnecting the unit to the power supply.
6. When the Bathroom Heater will not be in use, store it in a dry area away from sunlight and heat.

Warranty

To ensure that we meet your needs, we offer one year warranty from the purchase date for defective products. The incorrect human operation, not limited to disassembling, burning, soaking, and dropping.
For any customer product question or honor your warranty, please write to support@opolar.com. Our usual response time is within 24 hours.

To become OPOLAR Member:

1. Visit the below link: <http://www.opolar.com/>
2. Click "Register" on the top right corner.
3. Type your email address and password.
4. Click Register.

The benefits you can get:

- 1: Extended 6 months warranty on Amazon order, which means 18 months warranty instead of 12 months.
- 2: Get our latest deal notifications and more via email.

We Need Your Support

We welcome you to POST AN UNBIASED REVIEW on our Amazon product page so that others can be benefited from your experience. As a growing business, we know how precious your time is, so we especially appreciate your time and input. Your support is very important to us! Thanks again!

— 9 —