

Rosewill[®]

SRM-01

User's Manual



Contents

■ Product Overview	
Product Diagram	P.2
Front I/O Diagram	P.3
Accessory Kit	P.3
■ Installation Guide	
Open the Unit	P.4
Install the Power Supply	P.4
Install the Motherboard	P.5
Install the Add-in Card	P.6
Install an External 5.25" Device	P.7
Install a 3.5"/2.5" Drive	P.9
Care	P.10
Options	P.11
Specifications	P.12

Thank you for purchasing a High-Quality Rosewill Product.

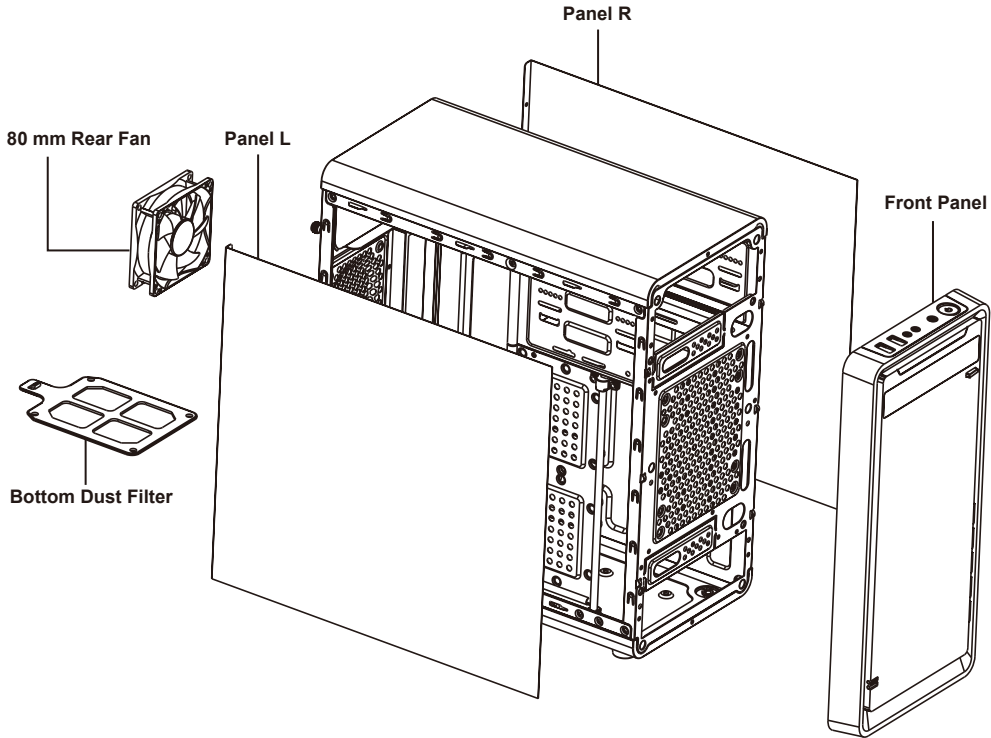
Please register your product at : <http://www.rosewill.com>
for complete warranty information and future support for your product.

If you have any questions while using our products, please visit our website : www.rosewill.com
for latest driver & user manual.

Support Phone Number: 800-575-9885

Support Email: techsupport@rosewill.com

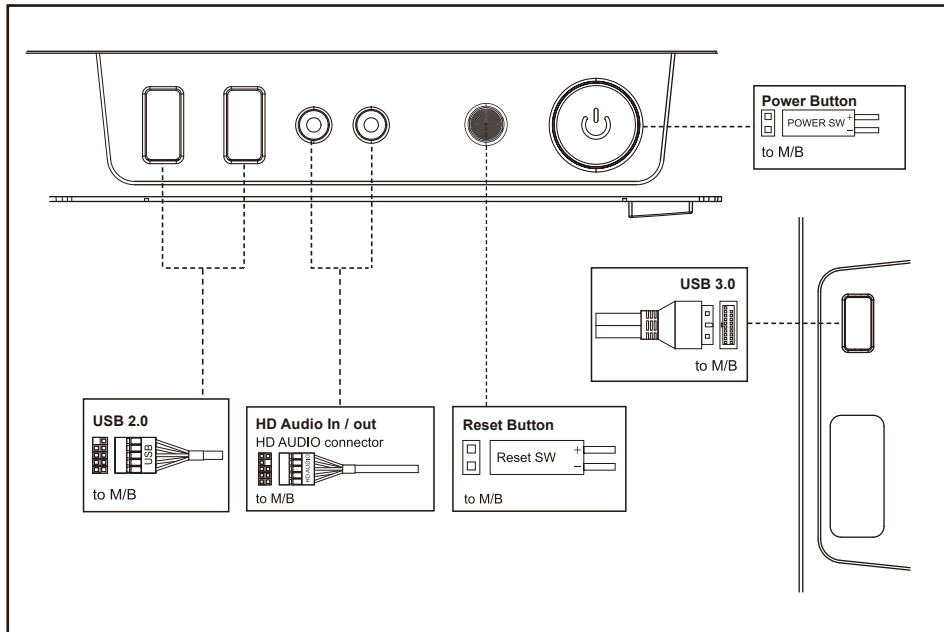
Product Diagram (components vary by country)



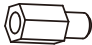



Front I/O Pinout

USB 3.0 CONNECTOR	USB 2.0 CONNECTOR	HD Audio CONNECTOR
<p>Pinout for USB 3.0 connector:</p> <ul style="list-style-type: none"> Pin 1: VBUS Pin 2: SSRX1+ Pin 3: ground Pin 4: SSRX1- Pin 5: ground Pin 6: D1- Pin 7: D1+ Pin 8: ground Pin 9: D2+ 	<p>Pinout for USB 2.0 connector:</p> <ul style="list-style-type: none"> Pin 1: USB+5V Pin 2: LP- Pin 3: LP+ Pin 4: GND Pin 5: NO PIN 	<p>Pinout for HD Audio connector:</p> <ul style="list-style-type: none"> Pin 1: AUD GND Pin 2: PRESENCE1 Pin 3: SENSE1 RETURN Pin 4: NO PIN Pin 5: SENSE2 RETURN Pin 6: PORT1L Pin 7: PORT1R Pin 8: PORT2R Pin 9: SENSE SEND Pin 10: PORT2L Pin 11: NO PIN

Front I/O Diagram



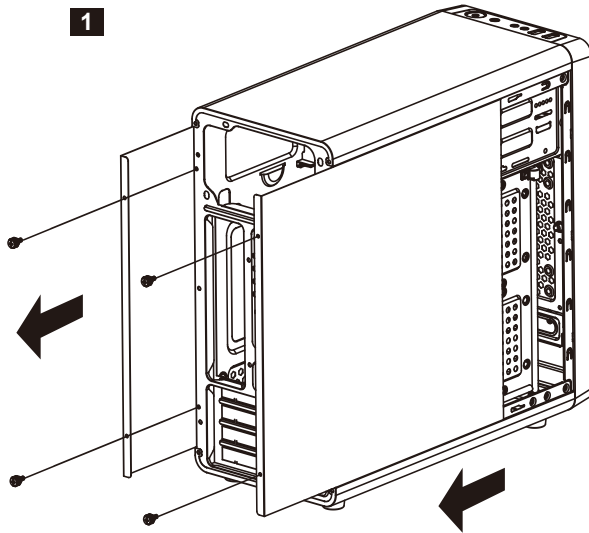
Accessory Kit

Figure	Part's Name	Qty	Function
	M/B Standoff	6	Motherboard
	Screw-A	4	Power Supply
	Screw-B	10	Motherboard 5.25" Device
	Screw-C	8	3.5"/2.5" HDD/SSD

Installation Guide

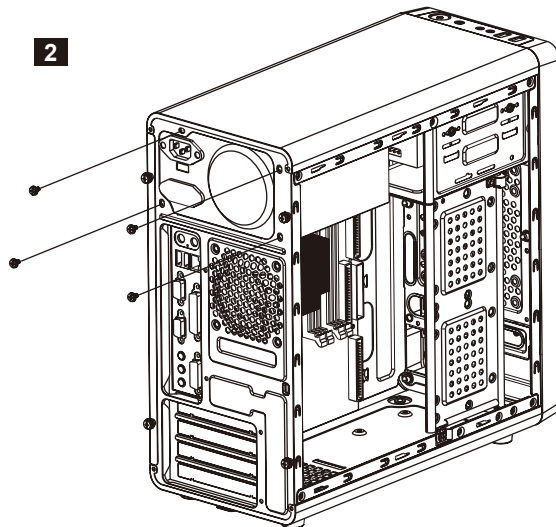
1. Open the Unit

1-1. Untwist the thumbscrews and slide out panels R and L (Figure 1).



2. Install the Power Supply

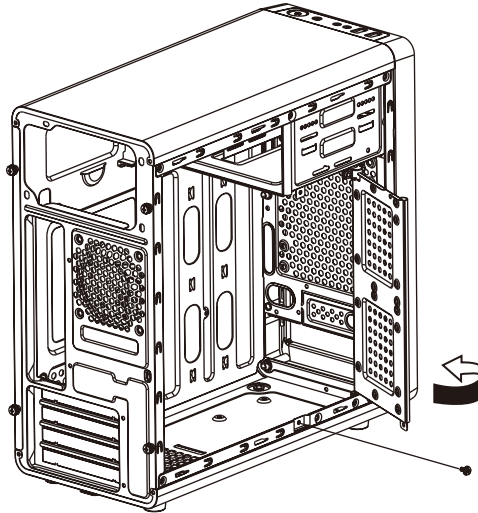
2-1. Secure the power supply unit on the top of the case with Screw-A (Figure 2).



3. Install the Motherboard

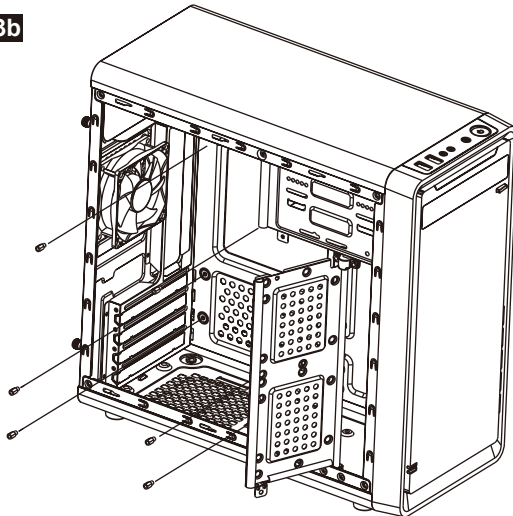
3-1. Unscrew to release the HDD panel (Figure 3a).

3a

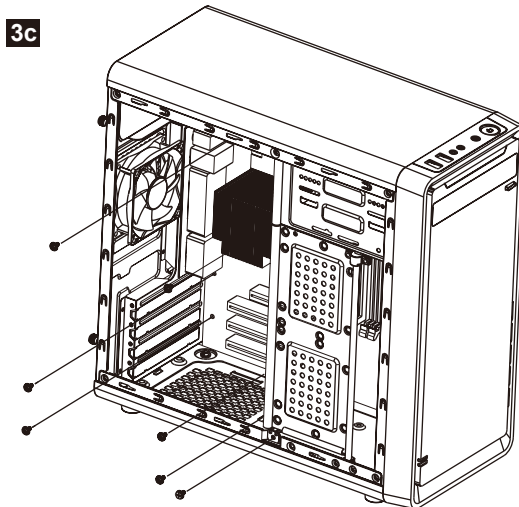


3-2. Line up the standoffs with the screw holes on the motherboard (Figure 3b).

3b

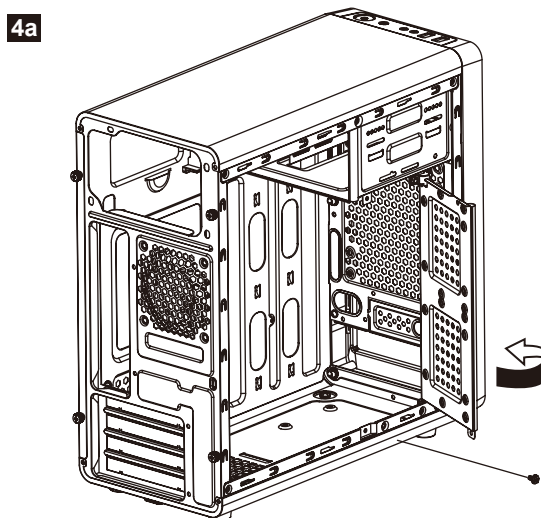


3-3. Screw the motherboard down with Screw-B (Figure 3c).

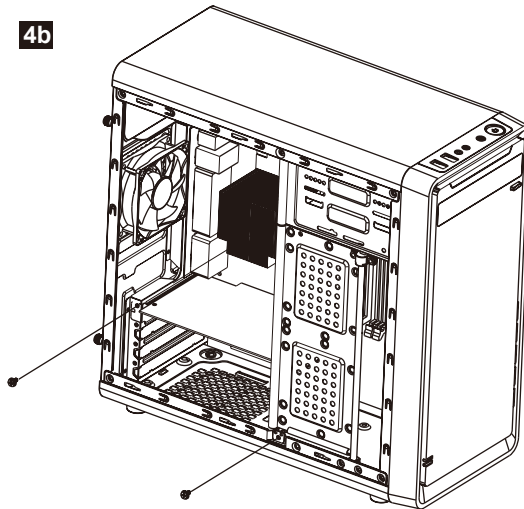


4. Install the Add-in Card

4-1. Unscrew to release the HDD panel (Figure 4a).

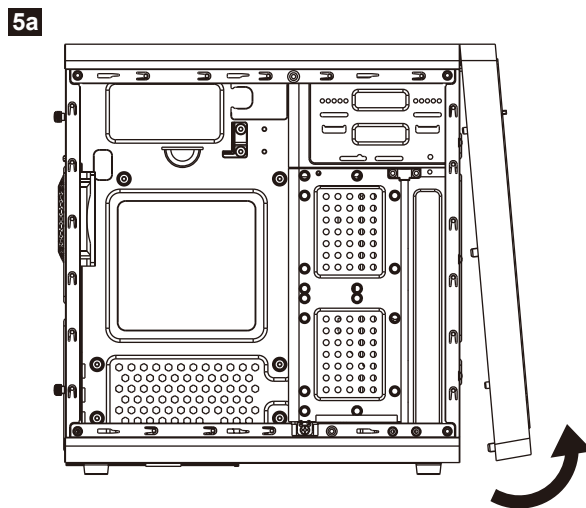


4-2. Install the add-in card and secure with the screws (Figure 4b).

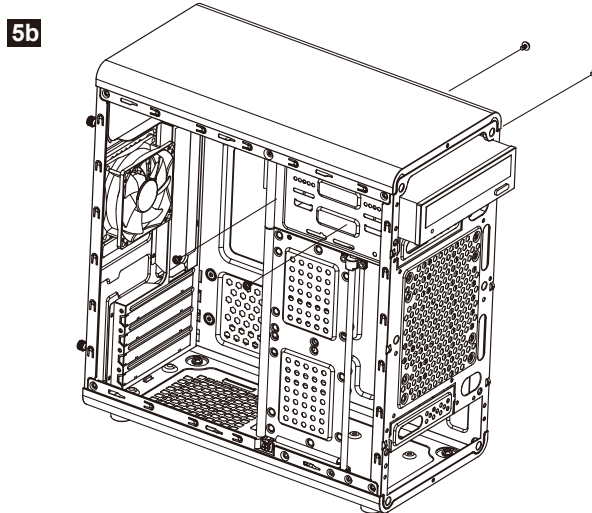


5. Install an External 5.25" Device

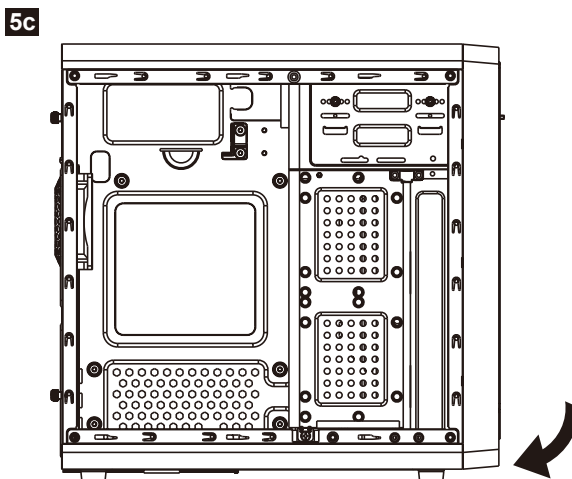
5-1. Pull the front panel out and remove it (Figure 5a).



5-2. Insert the 5.25" drive and secure with screws (Figure 5b).



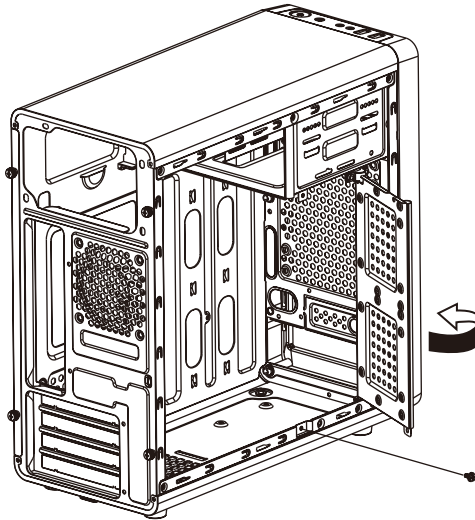
5-3. Install the front panel back onto the case (Figure 5c).



6. Install a 3.5" or 2.5" Drive

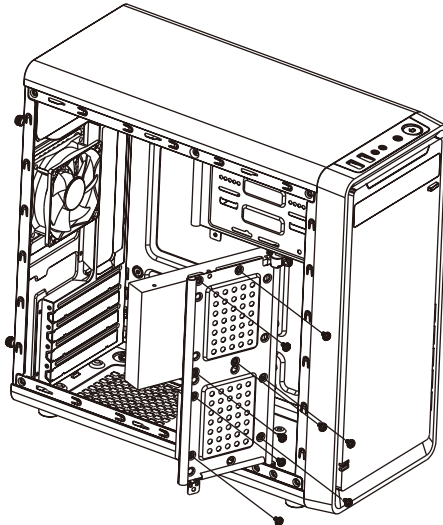
6-1. Unscrew to release the HDD panel (Figure 6a).

6a



6-2. Secure a 3.5" HDD/2.5" SSD onto the panel and with screws, and then screw the panel back on (Figure 6b).

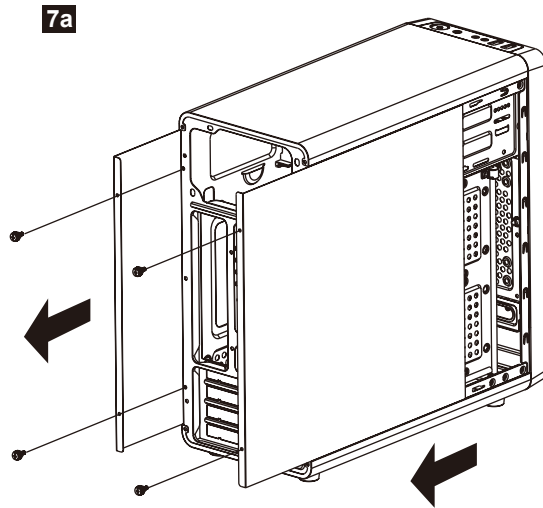
6b



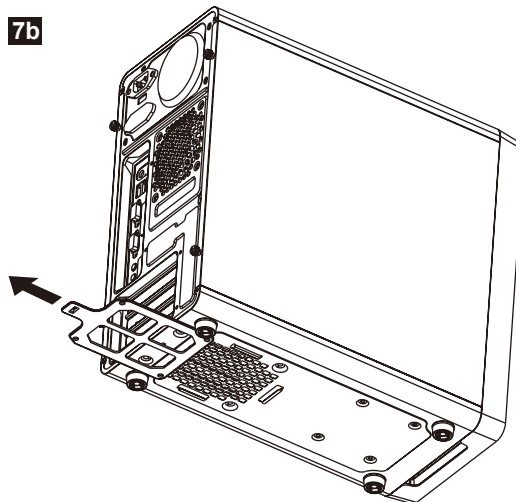
7. Care

To prevent damage, it is recommended that all panels remain closed and secured.

7-1. Slide the side panels back into place and secure with thumbscrews (Figure 7a)



7-2. Clean the dust filter regularly to ensure adequate airflow and to prevent overheating and damage (Figure 7b).



8. Options

8-1. Additional Fan Install

The SRM-01 has the capacity for additional fans. Please refer to the Specification Table on page 9 for options.

9. Specification Table

Model	
Model Name	SRM-01
Item Number	11-147-248
Specs	
Type	Mini Tower
Color	Black
Case Material	Steel/Plastic
Power Supply Mounted	Top
Motherboard Compatibility	Micro ATX, Mini ITX
With Side Panel Window	No
Expansion	
External 5.25" Drive Bays	1
External 3.5" Drive Bays	0
Internal 3.5" Drive Bays	2 (0)
Internal 2.5" Drive Bays	0 (2)
Expansion Slots	4
Front Ports	
Front Ports	1 x USB 3.0 2 x USB 2.0 Audio In/Out
Cooling System	
80/90 mm Fans	1 x Rear (80 mm) (pre-installed)
120 mm Fans	0
140 mm Fans	1 x Front (optional)
Physical Specs	
Dimensions	6.69" x 13.98" x 13.19" (W x H x D)
Weight	5.95 lb.



Rosewill[®]

www.rosewill.com