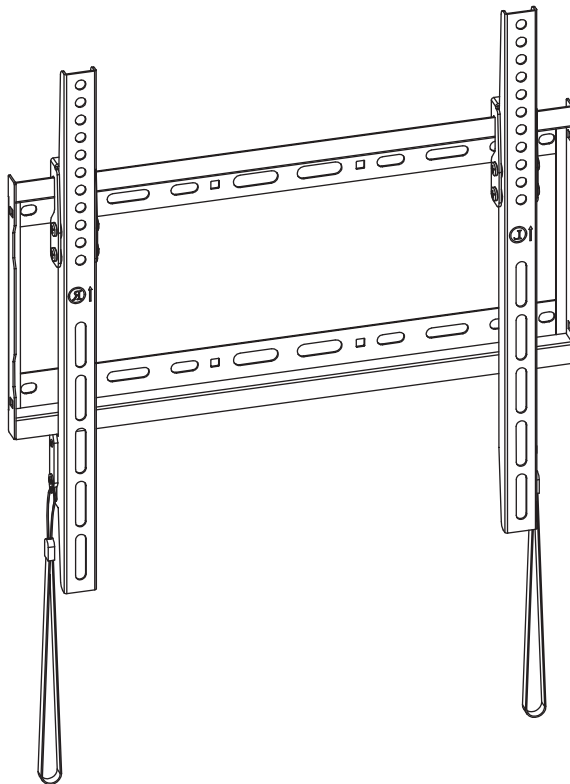


Installation Instructions

V1.0



PIMT4

Thank you for choosing our product! We strive to provide the best quality and services for our customers. Would you kindly share your experience on Amazon if you are satisfied? Should you have any issues, please don't hesitate to contact us.

Telephone: 1-800-556-9829 Mon-Fri 10am - 6pm (PST) (USA) (CAN)

Email: supportus@pipishell.net (US/CA/DE/UK/FR/IT/ES/AU)

IMPORTANT SAFETY INFORMATION

- Check package contents against Supplied Parts and Hardware Lists to assure that all components were received undamaged. Do not use damaged or defective parts. If you require replacement parts, contact customer service at supportus@pipishell.net
- Not all parts and hardware included will be used.
- Carefully read all instructions before attempting installation. If you do not understand the instructions or have any concerns or questions, please contact customer service at supportus@pipishell.net
- This product may contain moving parts. Use with caution.
- Do not use this product for any purpose or in any configuration not explicitly specified in this instruction. We hereby disclaim any liability for injury or damage arising from incorrect assembly, incorrect mounting, or incorrect use of this product.
- DO NOT INSTALL INTO DRYWALL ALONE.

Tools Needed (Not Included)



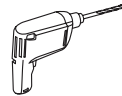
Stud Finder



Tape Measure



Pencil



Drill



Hammer



5mm
Wood Drill



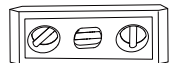
10mm
Concrete Drill



1/2 in.(13mm)
Socket Wrench

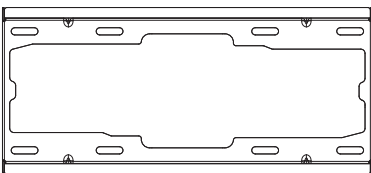


Screw Driver



Level

Supplied Parts



Wall plate

01 x1



Right TV
Bracket

02 x1



Left TV
Bracket

03 x1

Supplied Hardware

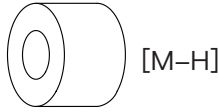
Hardware for Attaching TV Bracket to TV

04 Washers



x4
M4/M6

05 Spacers [If necessary]



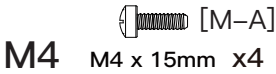
x8
10mm



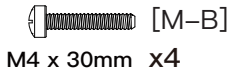
x8
5mm

06 TV Screws

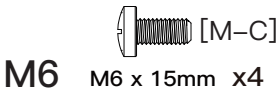
[Only one size fits your TV]



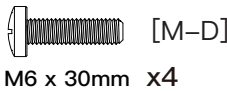
M4 M4 x 15mm x4



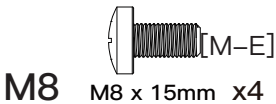
M4 x 30mm x4



M6 M6 x 15mm x4



M6 x 30mm x4



M8 M8 x 15mm x4



M8 x 45mm x4

Hardware for Attaching the Wall Plate to Wall

Lag Bolts
ST7X55



x4

A

Wall
Anchor



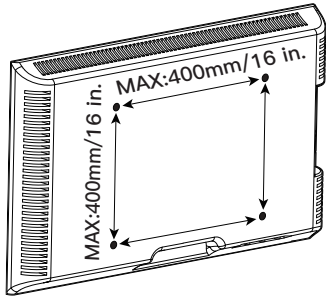
x4

B

 **CAUTION!**

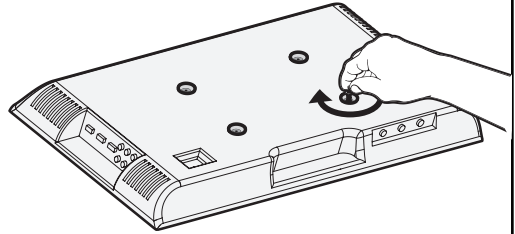
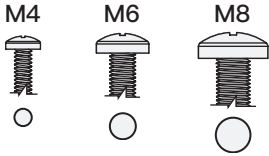
These anchors are for concrete or brick walls **ONLY**. **DO NOT** use them in drywall or wood studs.

Step 1 Check TV Hole Pattern and Select TV Screws

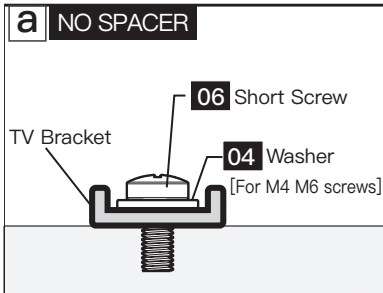


100 mm ≈ 4 in.
 200 mm ≈ 7 7/8 in.
 300 mm ≈ 11 3/4 in.
 400 mm ≈ 15 3/4 in.

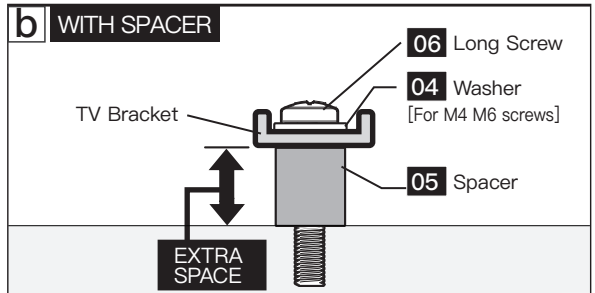
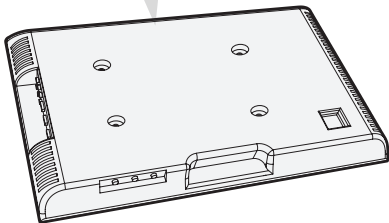
Only one screw size fits your TV.



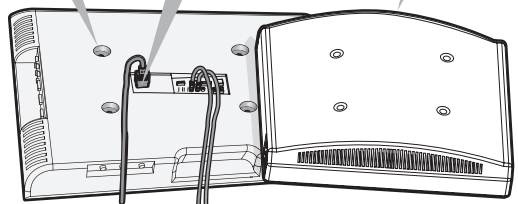
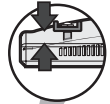
Step 2 Select Spacers (if needed)

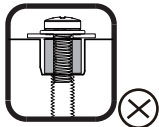


For Flat TV
 Spacer not necessary

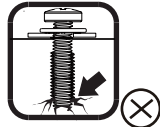


For Flat TV with:
 Inset Holes Cable Interference For Rounded TV

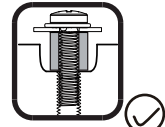
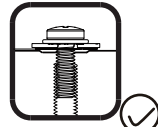




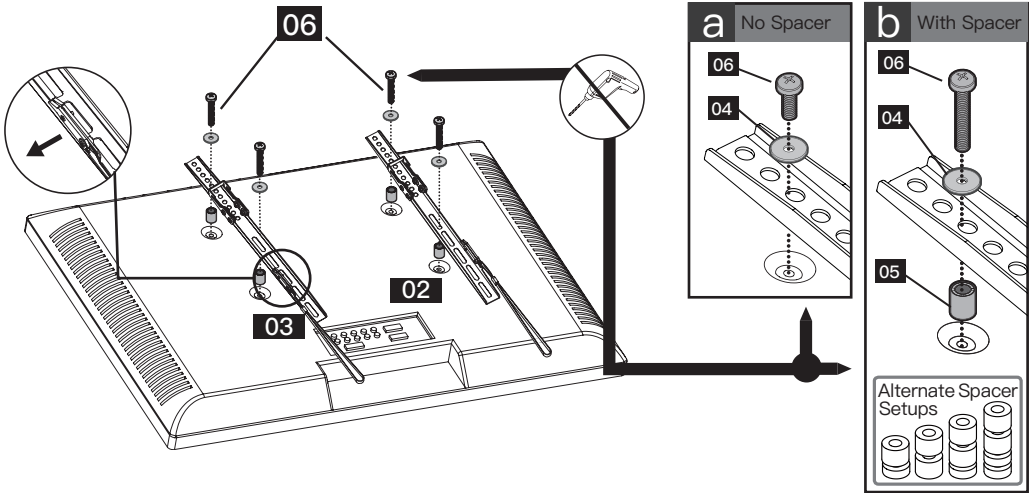
Too Short



Too Long



Step 3 Attach the TV Brackets to [02] and [03] Your TV



Step 4 Attach the Wall Plate [01] to Wall

For wood stud installation, follow STEP 4A

For concrete installation, follow STEP 4B

Step 4A Wood Stud Option

⚠ WARNING:

● Avoid potential personal injury or property damage! DO NOT over-tighten the lag bolts [A]. Tighten the lag bolts [A] only until they are pulled firmly against the wall plate [01].

● DONOT USE ANCHOR [B] FOR THIS STEP!

● Ensure the wall plate [01] is securely fastened to the wall before continuing on to the next step.

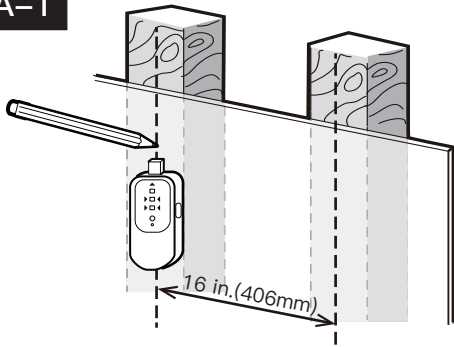
● Any material covering the wall must not exceed 5/8 in. (16 mm)

● Nominal wood stud size: common 2 x 4 in. (51 x 102 mm) minimum 1½ x 3½ in. (38 x 89 mm)

● Stud center must be verified

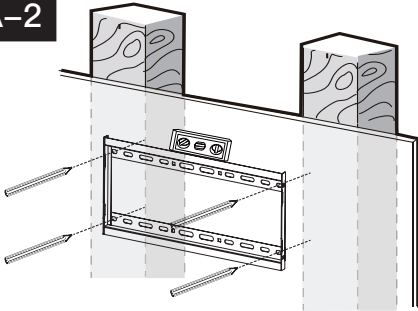


4A-1



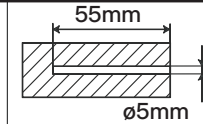
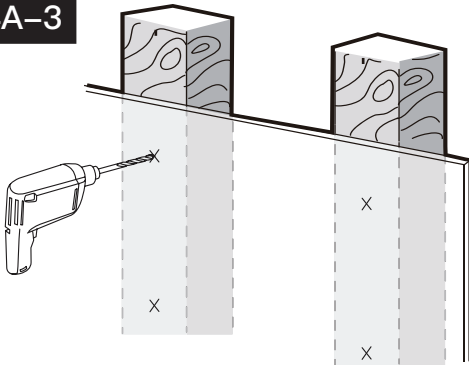
Use a stud finder(not included)to locate wood studs. Mark the edge and center locations.

4A-2



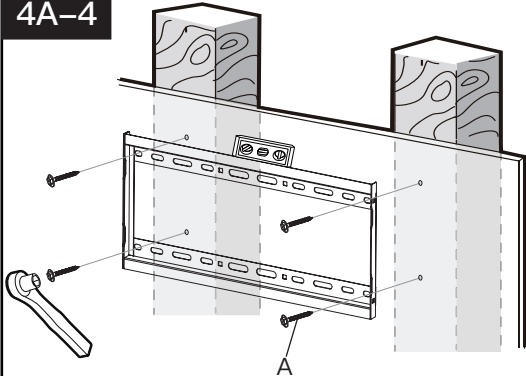
Position the wall plate[01] at your desired height and line up the holes with your stud center line. Level the wall plate and mark the holes.

4A-3

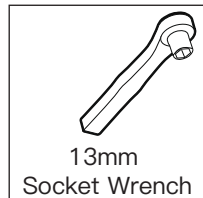


Drill 4 pilot holes using a 4 mm diameter drill bit. Make sure the depth is not less than 55mm.

4A-4



Install the wall plate [01] using lag bolts [A]. Tighten the lag bolts [A] only until they are pulled firmly against the wall plate.



13mm
Socket Wrench

Step 4B

Solid Concrete or Concrete Block Option

⚠ WARNING:

● Avoid potential personal injury or property damage! DO NOT over-tighten the lag bolts [A]. Tighten the lag bolts [A] only until they are pulled firmly against the wall plate [01].

● Ensure the wall plate [01] is securely fastened to the wall before continuing on to the next step.

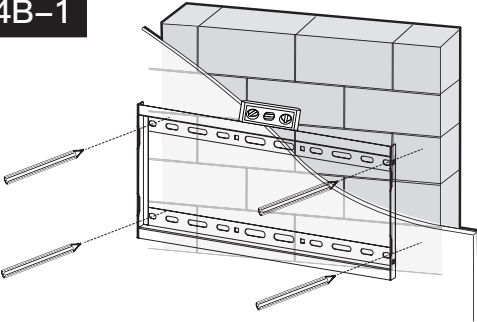


Wall
Anchor

B

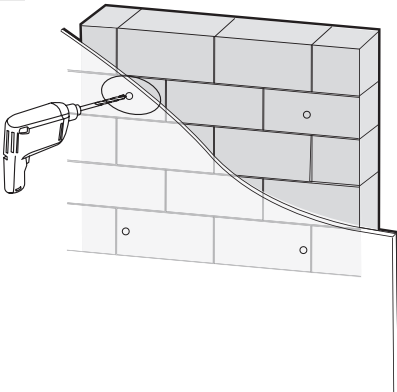
- Any material covering the wall must not exceed 5/8 in. (16 mm)
- Mount the wall plate directly onto the concrete surface
- Minimum solid concrete thickness: 203 mm (8 in.)
- Minimum concrete block size: 203 x 203 x 406 mm (8 x 8 x 16 in.)

4B-1

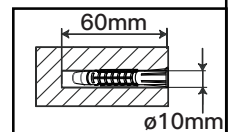


Position the wall plate [01] at your desired height, level the wall plate and mark the pilot hole locations.

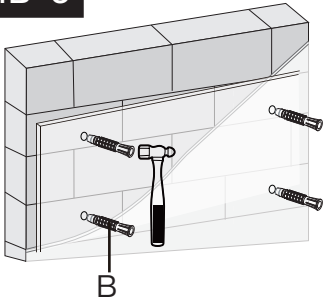
4B-2



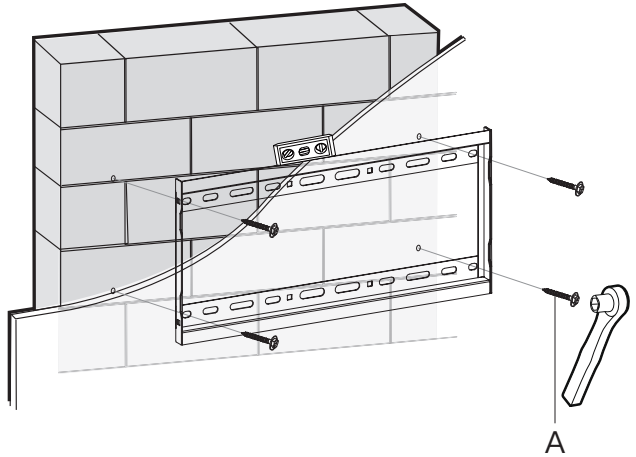
Drill 4 pilot holes using a 10mm diameter drill bit. Make sure the depth is not less than 60mm. Never drill into the mortar between blocks.



4B-3



Use the hammer to knock anchors [B] into the wall. Be sure the anchors [B] are seated flush with the concrete surface.

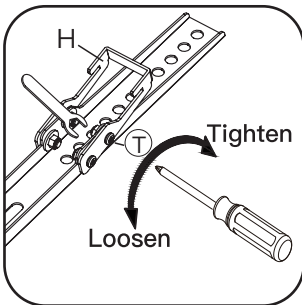
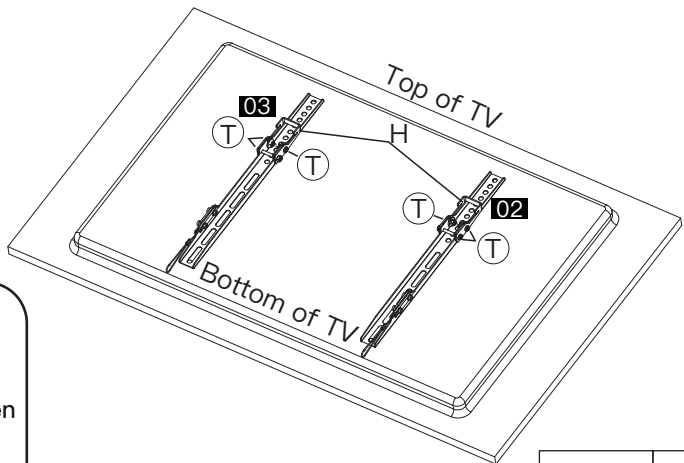


13mm
Socket Wrench

Install wall plate using lag bolts [A] and anchors [B]. Tighten the lag bolts [A] only until they are pulled firmly against the wall plate. **DO NOT** over-tighten the lag bolts [A].

Step 5 Fix Tilting Angle

Adjust the hooks [H] to your desired angle. Then tighten the 4 pcs tilt screws [T] in both brackets [02]/[03] with a screwdriver (not included) to fix the tilting angle.



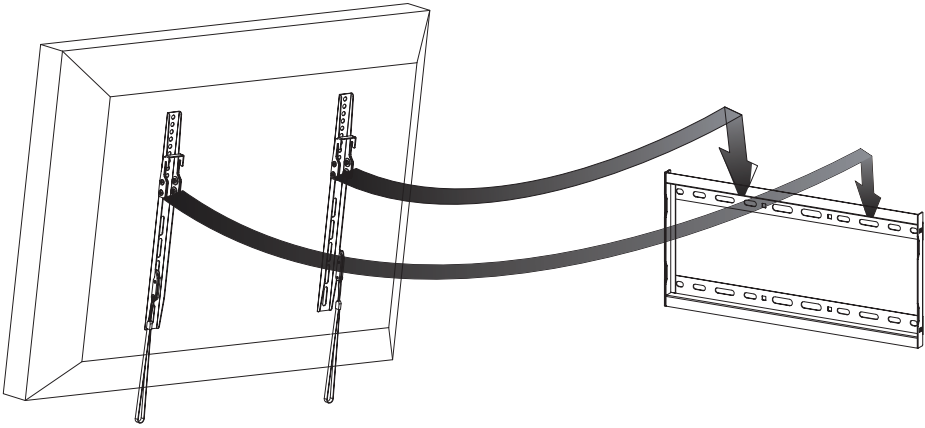
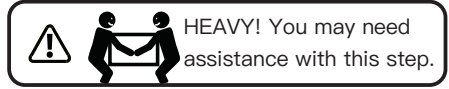
Note: Do not over-tighten the screws.



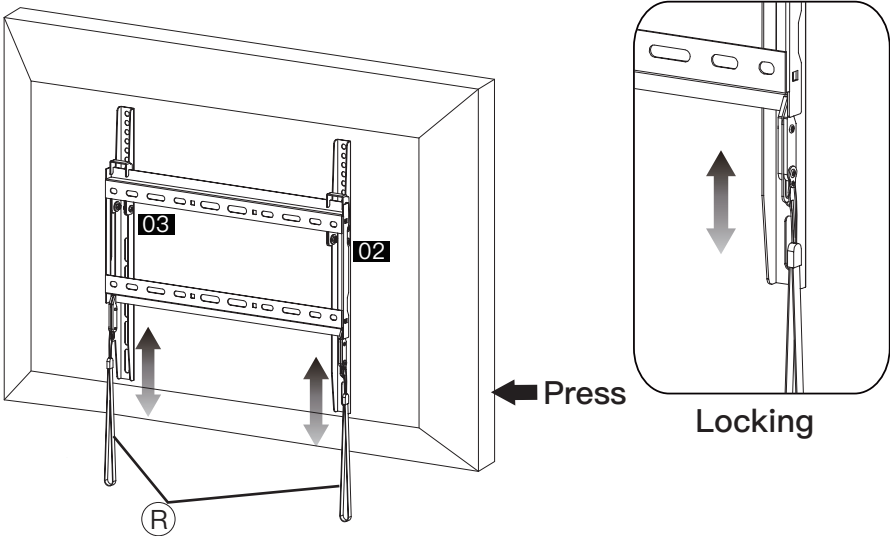
8mm
Wrench



Step 6 Hang TV to the Wall Plate [01].



Step 7 Secure TV

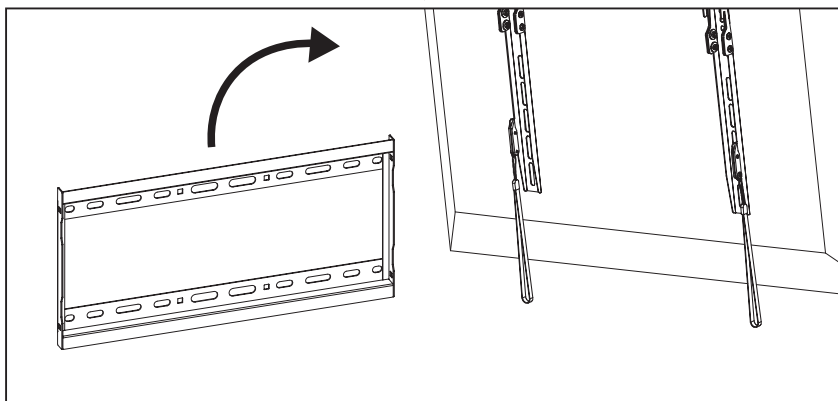
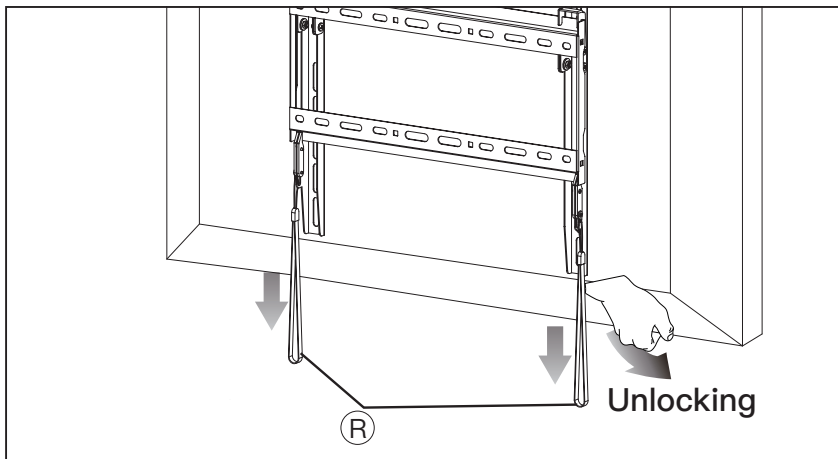


Pull down and hold both cords [R], press the bottom of the TV into the wall plate [01] until the latches lock the TV in place.

Remove the TV



HEAVY! You may need assistance with this step.



Disconnect all cables, pull down and hold both cords [R] while gently pulling the bottom of the TV away from the wall.

CAUTION: Avoid potential personal injury or property damage!

To prevent breaking the locking latches: always pull and hold the cords [R] down while pulling the TV away from the wall. Then lift the TV up and off of wall plate [01]. Place the TV on cardboard or other protective surface to avoid damage.

NOTE: To rehang the TV, follow the procedures in Step 6 and 7 on PAGE 8.

