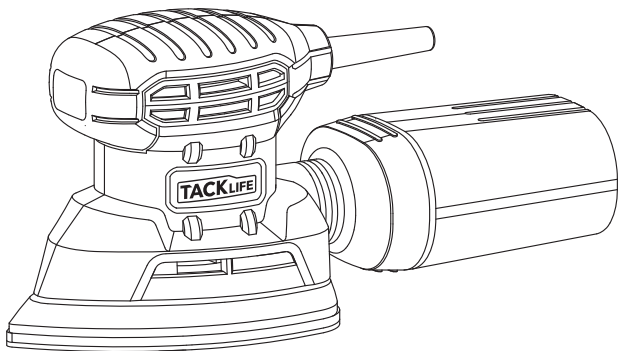




User Manual

Mouse Sander



Model: PMS01A

DEAR CUSTOMERS

This sander is intended for dry sanding. It can be used for grinding flat wood, metal, plaster, or filler surfaces, for stripping rust or paint and for sanding basecoat.

Please familiarize yourself with the proper usage of the device by reading and following each chapter of this manual, in the order presented. Keep these operating instructions for further reference.

Please read all safety instructions!

This manual contains important information on operating and handling the device. Keep these operating instructions for further reference. Please pass it on along with the unit if it is handed over to a third party.

GENERAL SAFETY INSTRUCTIONS FOR POWER TOOLS



WARNING! Read all instructions

Failure to follow all instructions listed below may result in electric shock, fire and/or serious injury.

The term “power tool” in all of the warnings listed below refers to your mains operated (corded) power tool or battery operated (cordless) power tool.

Save these instructions for future reference!

1. Work area

- a. Keep work area clean and well lit. Cluttered and dark areas invite accidents.
- b. Do not operate power tools in explosive atmospheres, such as in the presence of flammable liquids, gasses or dust. Power tools create sparks which may ignite the dust or fumes.
- c. Keep children and bystanders away while operating a power

tool. Distractions can cause you to lose control.

2. Electrical safety

- a. Power tool plugs must match the outlet. Never modify the plug in any way. Do not use any adapter plugs which earthed (grounded) power tools. Unmodified plugs and matching outlets will reduce risk of electric shock.
- b. Avoid body contact with earthed or grounded surfaces such as pipes, radiators, ranges and refrigerators. here is an increased risk of electric shock if your body is earthed or grounded.
- c. Do not expose power tools to rain or wet conditions. Water entering a power tool will increase the risk of electric shock.
- d. Do not abuse the cord. Never use the cord for carrying, pulling or unplugging the power tool. Keep cord away from heat, oil, sharp edges or moving parts. Damaged or entangled cords increase the risk of electric shock.
- e. When operating a power tool outdoors, use an extension cord suitable for outdoor use. Use of a cord suitable for outdoor use reduces the risk of electric shock.
- f. Always use tool in conjunction with a residual circuit breaker device. The use of a residual circuit breaker device reduces the risk of electric shock.

3. Personal safety

- a. Stay alert, watch what you are doing and use common sense when operating a power tool. Do not use a power tool while you are tired or under the influence of drugs, alcohol or medication. A moment of inattention while operating power tools may result in serious personal injury.
- b. Use safety equipment. Always wear eye protection. Safety equipment such as dust mask, non-skid safety shoes, hard hat, or hearing protection used for appropriate conditions will reduce personal injuries.

- c. Avoid accidental starting. Ensure the switch is in the off position before plugging in. Carrying power tools with your finger on the switch or plugging in power tools that have the switch on invites accidents.
- d. Remove any adjusting key or wrench before turning the power tool on. A wrench or a key left attached to a rotating part of the power tool may result in personal injury.
- e. Do not overreach. Keep proper footing and balance at all times. This enables better control of the power tool in unexpected situations.
- f. Dress properly. Do not wear loose clothing or jewellery. Keep your hair, clothing and gloves away from moving parts. Loose clothes, jewellery or long hair can be caught in moving parts.
- g. If devices are provided for the connection of dust extraction and collection facilities, ensure these are connected and properly used. The use of these pieces of equipment reduce hazards caused by dust.

4. Power tool use and care

- a. Do not force the power tool. Use the correct power tool for your application. The correct power tool will do the job better and safer at the rate for which it was designed.
- b. Do not use the power tool if the switch does not turn it on and off. Any power tool that cannot be controlled with the switch is dangerous and must be repaired.
- c. Disconnect the plug from the power source before making any adjustments, changing accessories, or storing power tools. Such preventive safety measures reduce the risk of starting the power tool accidentally.
- d. Store idle power tools out of the reach of children and do not allow persons unfamiliar with the power tool or these instructions to operate the power tool. Power tools are dangerous in the

hands of untrained users.

- e. Maintain power tools. Check for misalignment or binding of moving parts, breakage of parts and any other condition that may affect the power tools operation. If damaged, have the power tool repaired before use. Many accidents are caused by poorly maintained power tools.
- f. Keep cutting tools sharp and clean. Properly maintained cutting tools with sharp cutting edges are less likely to bind and are easier to control.
- g. Use the power tool, accessories and tool bits etc., in accordance with these instructions and in the manner intended for the particular type of power tool, taking into account the working conditions and the work to be performed. Use of the power tool for operations different from intended could result in a hazardous situation.

5. Service

- a. Please use a qualified expert who uses original replacement parts to repair your power tool. This will ensure proper functioning of the power tool.

Please note the included General Safety Notes and the following safety notes to avoid malfunctions, damage or physical injury:

- Make sure the voltage corresponds to the type label on the unit.
- Persons with limited physical, sensorial or mental abilities are not allowed to use the unit, unless they are supervised for their safety by a qualified person.
- The multi sander may not be used in damp environment. Attention: The multi sander is not designed for wet sanding.
- Secure the work pieces to avoid slipping.
- Always lay down the sander before the moving parts have come to complete stop.
- Always attach the dust bag or a vacuum cleaner to the dust extra-

ction flange while working with the sander. Make sure that the integrated dust extraction system is functioning.

- The dust forming during operation may be hazardous to your health, combustible or explosive. Take the necessary precautions as.



Wearing Ear Protection



Wearing Dust Protection.

- Attention: Please note that poisonous dust may be formed e. g. when sanding paint, which contains lead, while processing some kinds of wood or metal. Always use a dust extraction device and a dust mask.
- Only use extension cables which are approved for outdoor operation.
- In the case of a malfunction please do not attempt to repair the machine yourself. Contact the customer support department or have it repaired by a professional.

BEFORE THE FIRST USE

Remove the machine and all accessories from the package. Keep the packaging materials out of the reach of small children. There is a danger of suffocation!

CONTENTS OF PACKING

- 1x Multi sander
- 1x Dust Collection Bag
- 1x Sanding paper
- 1x Instruction manual
- 1x Warranty card

INTENDED USE

The multi sander is intended for sanding wood, plastic, stone, composites, paint, filler, and similar materials. Metal and materials containing asbestos must not be worked with the multi sander. The multi sander is only intended for dry sanding.

SELECTING THE SANDING PAPER

- Always use abrasive papers suited to the material you want to sand. The papers must have the correct grain size. The grain is either Corundum or Carbide.
- Depending on grain size there are degrees of coarseness. The coarseness is specified by a number on the back of the papers. The higher the number is, the finer the grain.
- It is important to use the right paper for each job. For rough sanding use grain sizes up to 80, for soft wood as larch, pine or spruce use papers from 120 to 150. For dense hardwood as beech or maple, the grain sizes up to 220 can be used.

ATTACHING THE SANDING PAPER

Choose the sanding paper according to the material being worked.

1. Attach the sanding paper to the sanding plate (3) and make sure the holes on the sanding paper fit with the openings on the base plate. Only this way the sanding dust can be extracted through the built-in dust removal in the sanding plate.
2. Firmly press the sanding paper down on the sanding plate.

ASSEMBLING / DISASSEMBLING / EMPTYING THE DUST COLLECTION BAG

Always use the dust collection bag (6) when sanding.

1. Place the dust collection bag onto the provided dust collection flange (5). Push the connection piece into the flange and turn it

- clockwise until it locks into place.
2. To remove the dust collection bag, turn the connection piece counter clockwise and pull it out of the flange. Preferably clean the dust collection bag and the exhaust connection in the housing after each use. By doing this the dust collection bag can be easily inserted and removed.
 3. For emptying the dust collection bag, just tap out or, if available, clean with compressed air.

ON/OFF SWITCH

1. After attaching the sanding paper connect the multi sander to the dust extraction and to the mains power.
2. To turn the machine on, set the ON/OFF switch (1) to I. To turn the machine off, set the ON/OFF switch to O.

SANDING

- Apply only moderate pressure on the machine. Too much pressure will lead to jamming of the mechanism and will spoil the result. Excessive pressure will overheat the machine.
- Always select abrasive paper with coarseness suited the condition of the surface.
- Use finer papers in the consecutive sanding until the desired smoothness is reached. If you desire a very smooth finish you may slightly moisten the surface before the last sanding. This will slightly swell the fibres and allow a smoother finish.

CLEANING AND MAINTENANCE

- To avoid injury always pull the power plug before maintaining or cleaning the machine.
- Clean the machine with a moist cloth.
- If the machine is very dirty use a mild detergent or soap on the cloth. Other cleaning agents may contain chemical substances

- which may damage the plastic parts of the machine.
Do not allow liquids to enter the machine and do not immerse
- the machine in liquids of any kind.
Repairs, inspections of the interior of the machine, adjustments and replacement of the carbon brushes may only be undertaken by a professional. Only identical replacement parts may be used! For further information please contact our customer service department.
Always keep the ventilation slots (4) open and clean. After each use remove dirt and contaminations with a brush or blow it out
- with compressed air.
If increased brush fire occurs this indicates that the carbon brushes are worn and should be replaced. Have the brushes replaced by a professional.

ACCESSORIES

GERMANIA offers a wide range of suitable accessories for an optimum performance of your tool.

You can find the accessories in every Sonderpreis Baumarkt or online: www.sonderpreis-baumarkt.de.

TECHNICAL DATA

Vibration level

Rated Voltage	120 V ~ 60 Hz (US CA) 230 V ~ 50 Hz (UK)
Rated Power	130 W
No Load Speed	12000 min ⁻¹
Eccentricity	1 mm
Sanding Surface	140 x 140 x 80 mm
Dimensions of Sanding Paper	140 x 140 x 80 mm
Length of Power Cord	3 m
Weight	0.85 kg

Weighted Sound Pressure Level (L_{pA})	76 dB(A)
Uncertainty	K=3 dB(A)
Weighted Sound Power Level (L_{WA})	87 dB(A)
Uncertainty	K=3 dB(A)
Hand/Arm Vibration	4,948 m/s^2
Uncertainty K	K=1.5 m/s^2
Protection Class	II

The vibration emission level stated in this instruction manual has been measured in accordance with a standardised test given in EN 60745; it may be used to compare one tool with another and as a preliminary assessment of exposure to vibration when using the tool for the applications mentioned.

- Using the tool for different applications, or with different or poorly maintained accessories, may significantly increase the exposure level.
- The times when the tool is switched off or when it is running but not actually doing the job, may significantly reduce the exposure level.

Protect yourself against the effects of vibration by maintaining the tool and its accessories, keeping your hands warm, and organizing your work patterns.

DISPOSAL



Do not dispose of electric power tools with domestic refuse. The electric power tool is shipped in packaging to reduce transport damage. This packaging is a raw material and as such can either be reused or can be fed back into the raw material cycle. The electric power tool and its accessories are made from various materials such as metals and plastics. Take defective components to a special refuse collection point. Ask about these at your specialist shop or local council.

Shenzhen Take Tools Co., Ltd.

Web: www.tacklifetools.com

Facebook: www.facebook.com/Tacklife.US

E-mail: support@tacklife.net

ADD: No.B714,Niulanqian Building, Minzhi Road,
Longhua District, Shenzhen, Guangdong, China 518000

Made in China



RoHS

