



Julius Studio is one of the major brand names of LS Photography Series that offers professional photo and video equipment, now available in a number of online markets today. With years of manufacturing experience, our engineers have developed, manufactured, and marketed portable, yet premium-quality products such as flash lights, background muslins, and LED bulbs. As the world's leading technology provider, Julius Studio and LS Photography Series remain on the short list of the photo-equipment producers, who are capable of offering the cutting-edge studio equipment to many professionals globally. We appreciate your continuing support and trust in our brands.

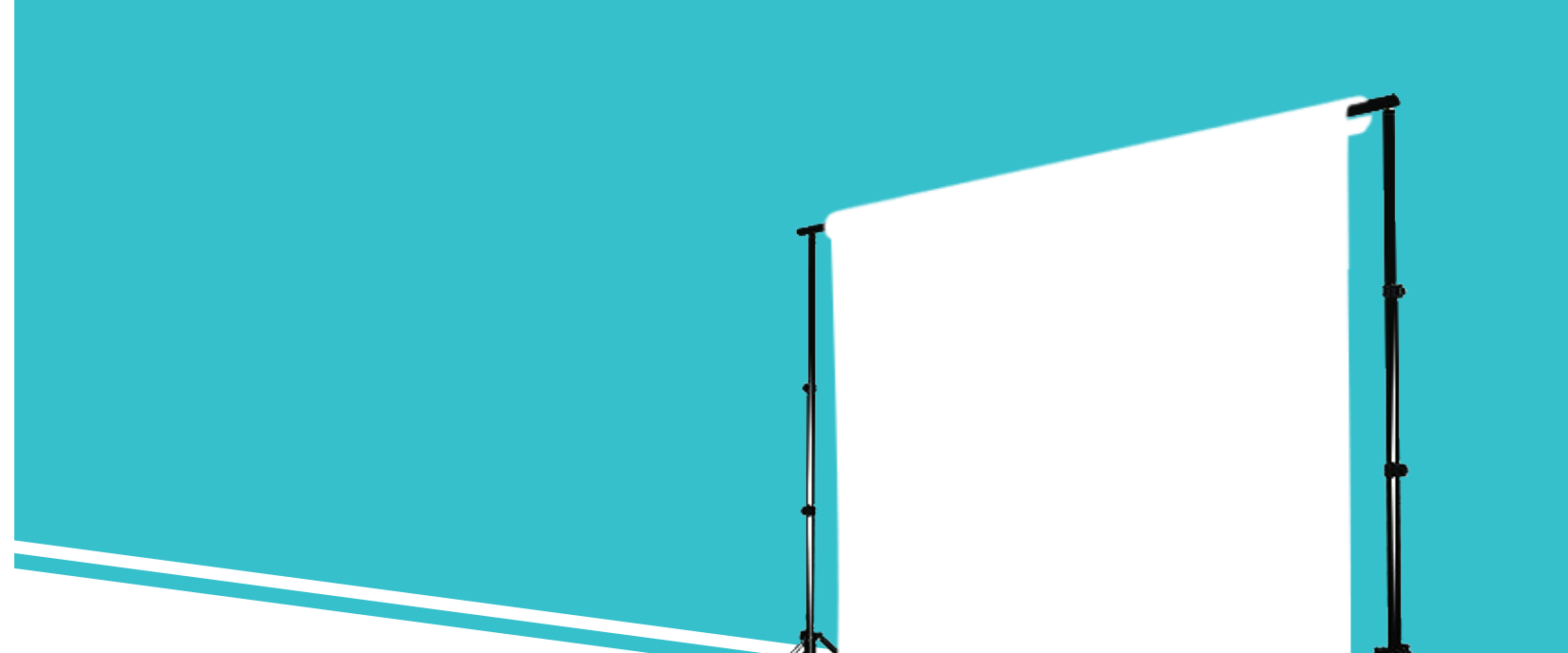
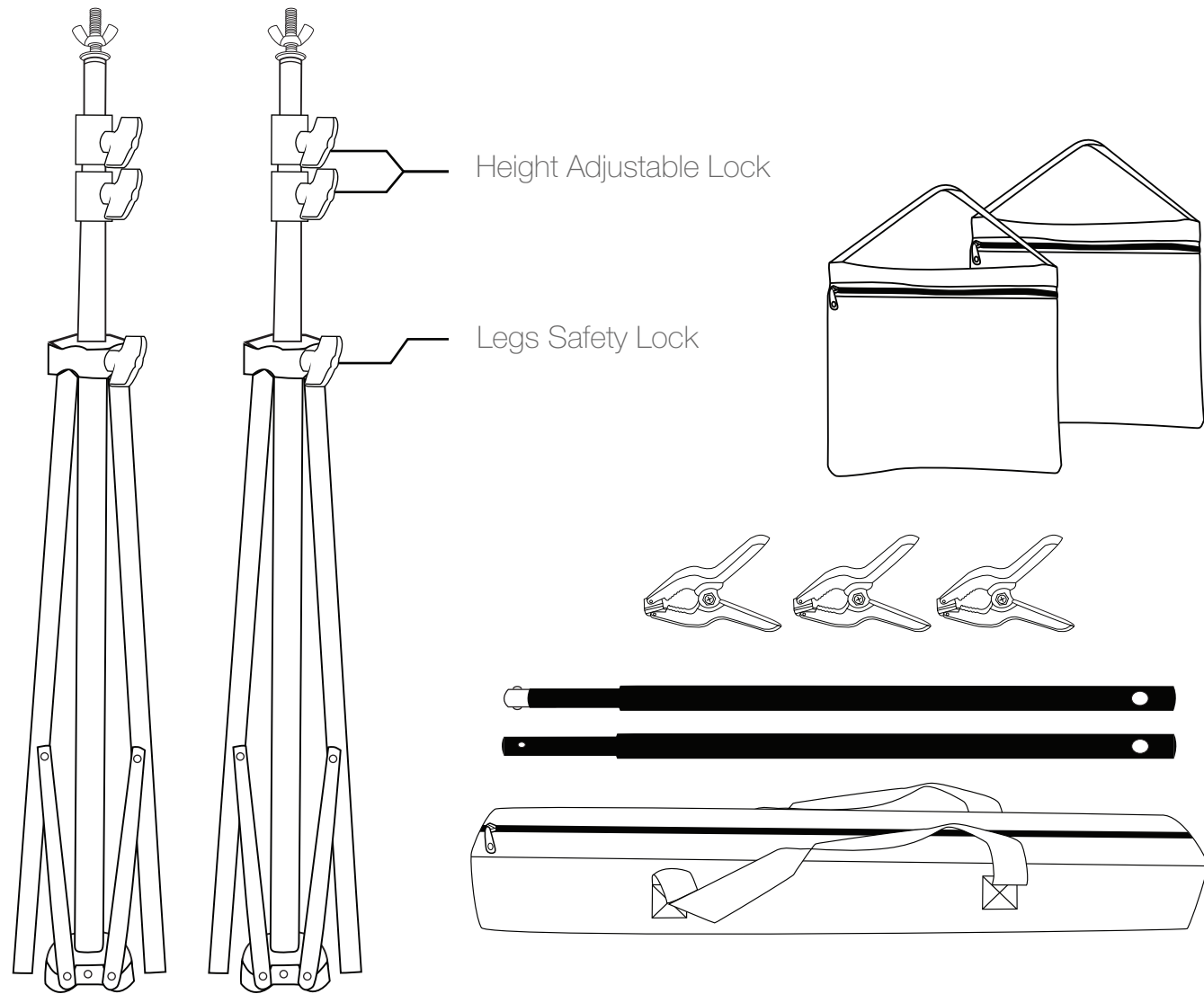
LIMITATION OF LIABILITY

In no event, shall manufacturer be liable for any direct, indirect, incidental, special, exemplary, or consequential damages—including, but not limited to, procurement of substitute goods or services; loss of use, data, or profits; or business interruption—however caused and on any theory of any liability, whether in contract, strict liability, or tort—including negligence or otherwise—arising in any way out of the use of the product exceed the actual price paid for the product, even if advised of the possibility of such damages.



Photo Studio Background Support System Kit

JSAG283



Package Contents

- 2pcs Support Stand
- 2pc Crossbar Pole
- 3pc Backdrop Support Clamp
- 2pc Sand Bag
- 1pc Carry Bag

Photo Studio Background Support System Kit

The Photo Studio Background Muslin Support System Kit provides a quick and easy installation, it securely holds photo/video backgrounds. The expandable crossbar can hang backgrounds up to 10 ft. in width. The Kit also includes two sand bags for both tripod stands providing more stability on each side.

SPECIFICATION

Support Stand

- Solid Safety 3 Legs Stages
- Height Adjustable: Max 7 ft.
- Quick Single Action Lock
- Air Cushioned Joints
- Fast Precision Height Adjustment

Crossbar

- Adjustable Width with Maximum of 10 ft.
- Self Interlocking System
- Assembles & Disassembles Quickly

Photo Support Clamp

- Material Synthetic Nylon
- Light Weight and Strong Pinch

Sand Bag

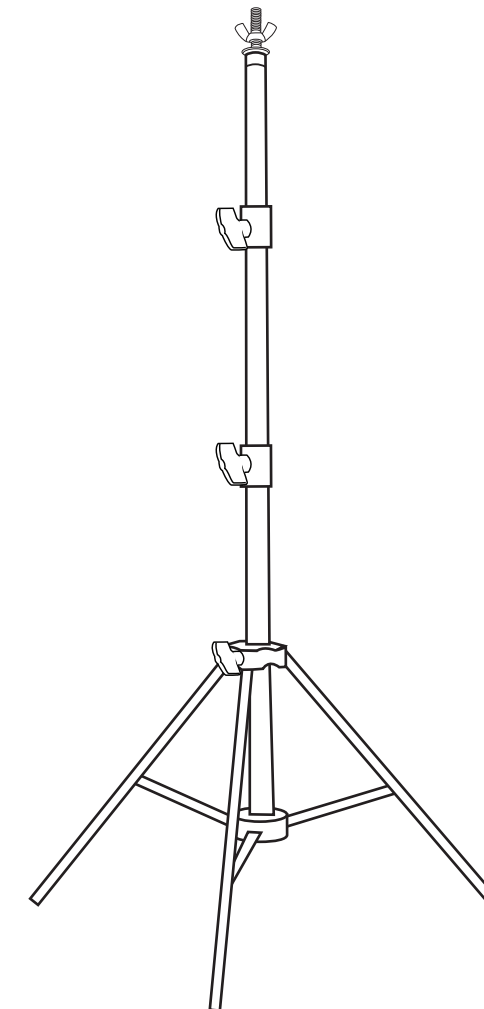
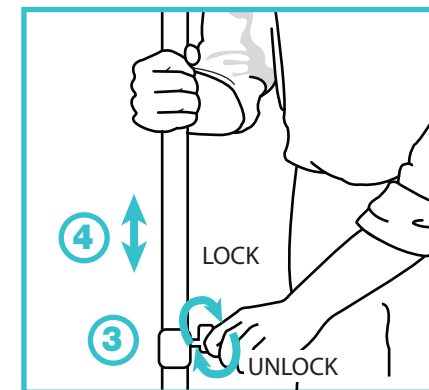
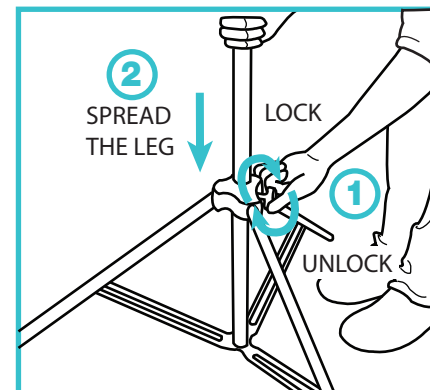
- Net Weight: 3 oz
- 9 x 16.5 Inch Dimension
- Durable Nylon Material

Carry Bag

- Premium Quality Fabric Material
- Carries all Components

1. Set up the support stands by following these steps.

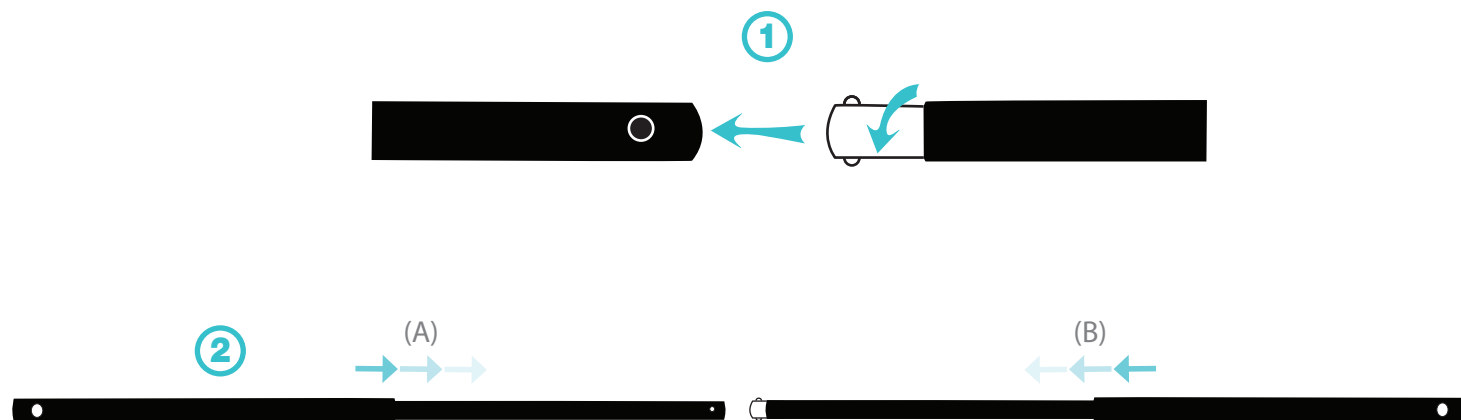
1. Untighten the stand's base lock then push down the base to open the legs.
2. To get the best height and stability push down on the base until the legs are widely opened, then tighten the lock.
3. Untighten the height adjustable locks.
4. Pull up the pole's sections to get to the desired height. Tighten the locks to secure the pole.



INSTALLATION

2. Install the crossbar by following the order.

1. Insert the pole (B) to the end of the pole (A), then twist the (B) pole to lock them together.
2. Extend the pole (A) or (B) to get the desired width, from 5 ft. to maximum 10 ft.



3. Attach the crossbar to the tripod support stands.

1. Insert the crossbar through the backdrop pocket.
2. Insert washer first then insert the support stand screws to the (A) and (B) pole openings.
3. After inserting the second washer, twist the wing nut to secure the crossbar to the tripods.
4. Fill the sandbag with sand then hang them on the tripod legs to get more stability.
5. Use clips to fix the muslin backdrop.

