

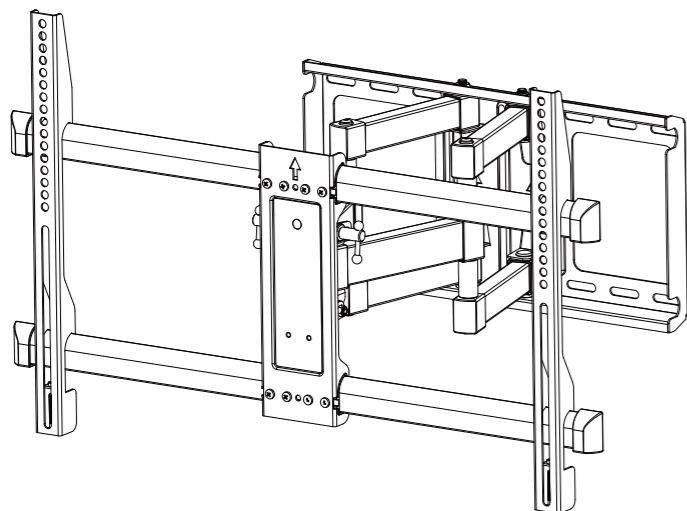
LARGE FULL-MOTION TV WALL MOUNT

V2



for most 37" to 70" TVs
up to 132 lbs

PSLFK1



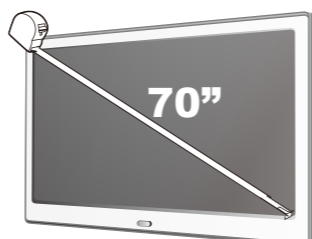
WARNING! SEVERE PERSONAL INJURY AND PROPERTY DAMAGE CAN RESULT FROM IMPROPER INSTALLATION OR ASSEMBLY. READ THE FOLLOWING WARNINGS BEFORE BEGINNING.

- * If you do not understand the instructions or have any concerns or questions, please contact a qualified installer.
- * Do not install or assemble if the product or hardware is damaged or missing. Not all parts and hardware included must be used. If you require replacement parts, contact customer service at customerservice@perlegear.com.
- * This product has been designed for use on a vertical wall constructed of wood studs. Wood studs being defined as a wall consisting of a minimum of 2" x 4" studs with a maximum of 16" stud spacing with a maximum of 1/2" of wall covering (drywall, lath, plaster). For custom installations please contact a qualified installer. For safe installation, the wall you are mounting to must support 4 times the weight of the total load. If not, the surface must be reinforced to meet this standard. The installer is responsible for verifying that the wall structure/surface will safely support the total load.
- * This product may contain moving parts. Use with caution.
- * **DO NOT EXCEED THE MAXIMUM WEIGHT CAPACITY FOR THIS PRODUCT.**
- * Please check www.perlesmith.com for more products and company information.

WEIGHT CAPACITY



CAUTION!



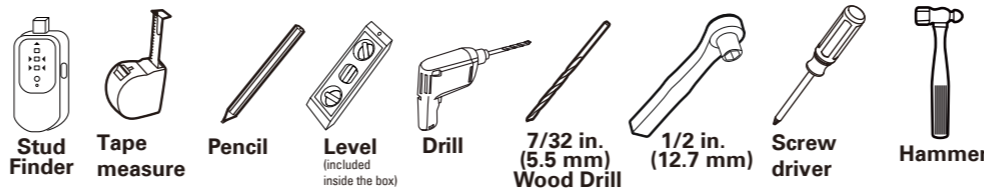
70"



60 kg
132 lbs

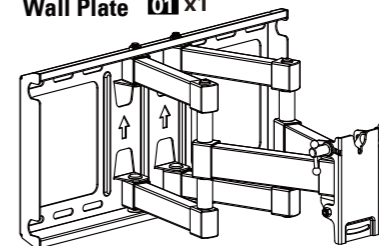
USE WITH PRODUCTS LARGER THAN THE MAXIMUM WEIGHT AND SIZE MAY RESULT IN INSTABILITY CAUSING POSSIBLE INJURY. USER MUST REMOVE TELEVISION OR OBJECT OFF THE BRACKET BEFORE ADJUSTING. NOT SUITABLE FOR A TV THAT SURPASSES THE TELEVISION MAXIMUM WEIGHT CAPACITY AND RECOMMENDED DIAGONAL MEASURED TV SIZE!

Tools Needed

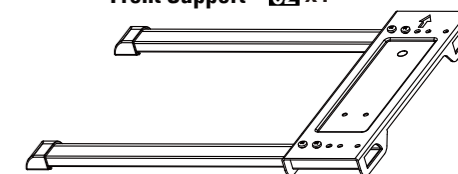


Hardware Included

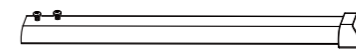
Arm and Wall Plate 01 x1



Front Support 02 x1



Arm Extensions 03 x2



TV Bracket 04 x2



Hardware (Wall)

Lag Bolts
5/16 x 2 1/2 in



x4
A

Washers
Ø8mm



x4
B

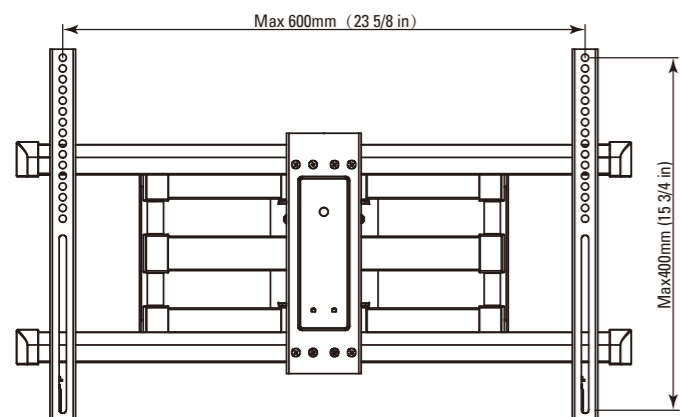
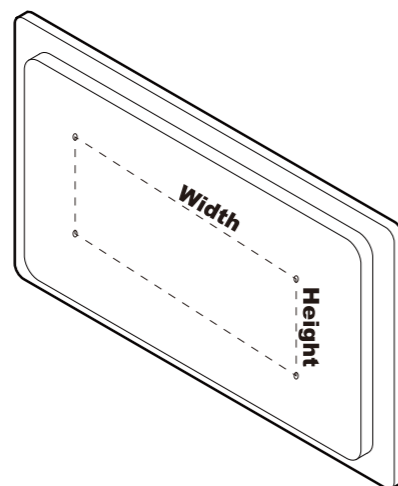
TV Screws / Washers

Philips Screws M4 x 12mm M4 x 30mm	Philips Screws M5 x 12mm M5 x 30mm	Philips Screws M6 x 15mm M6 x 30mm	Philips Screws M8 x 15mm M8 x 30mm	Spacers L10mm	Washers Ø6mm M4-5-6	Spacers L5mm
x4 M-A	x4 M-B	x4 M-C	x4 M-D	x4 M-E	x4 M-F	x4 M-G
x4 M-H	x4 M-I	x4 M-J	x4 M-K	x4 M-L	x4 M-M	x8 M-N

STEP 1 Check the VESA pattern of your TV

Measure the distance between the holes located at the back of your TV (these measures may form the shape of a square, or a rectangle) and check that these taken measures are within the VESA(*) range for this wall mount.

(*) VESA: International standard established by the TV manufacturers used to determine if LCD / LED TVs are compatible with wall mounts.

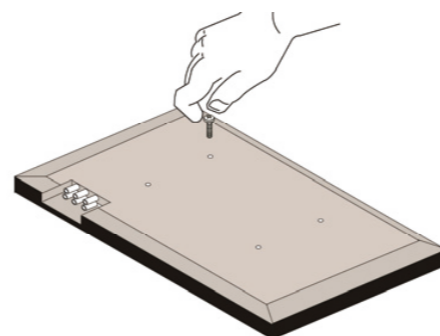


75 mm	≈ 2 7/8 in
100 mm	≈ 4 in
200 mm	≈ 7 7/8 in
300 mm	≈ 11 3/4 in
400 mm	≈ 15 3/4 in
600 mm	≈ 23 5/8 in

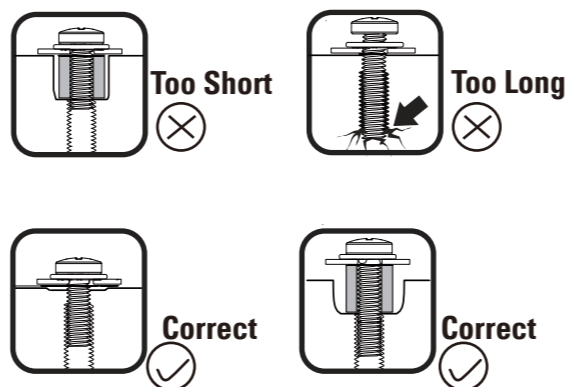
STEP 2 Install TV bracket

Check TV screws

Please select the proper screw length for your TV by hand tightening to check your plat panel thread depth.

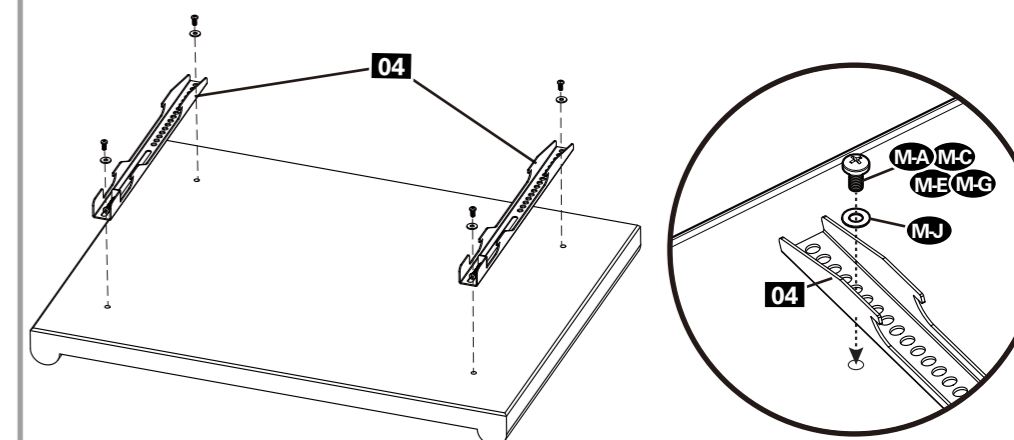


When attaching brackets to the flat screen, be careful not to over tighten screws and be sure that screws do not bottom out in the mounting holes.



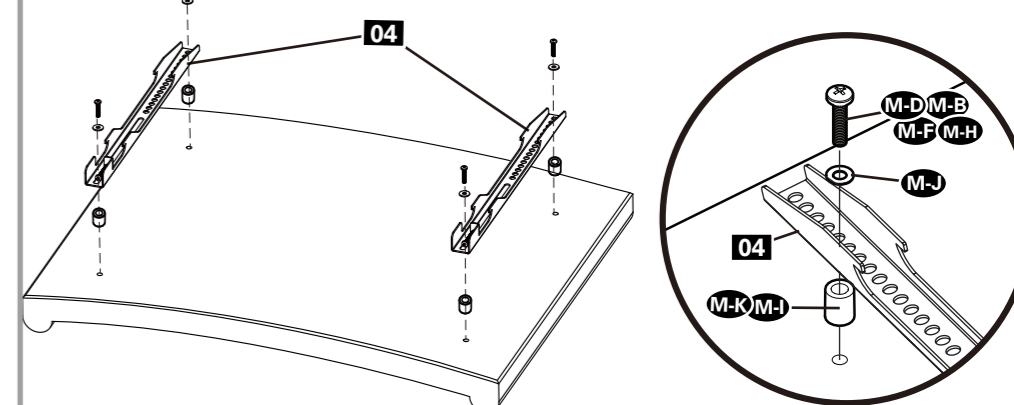
STEP 2A Flat back TV (Universal monitor plate)

Connect TV Brackets to back of TV

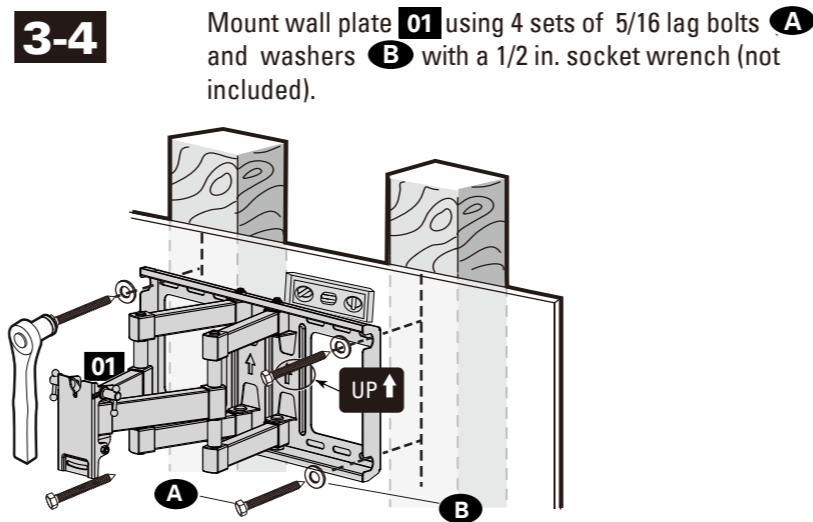
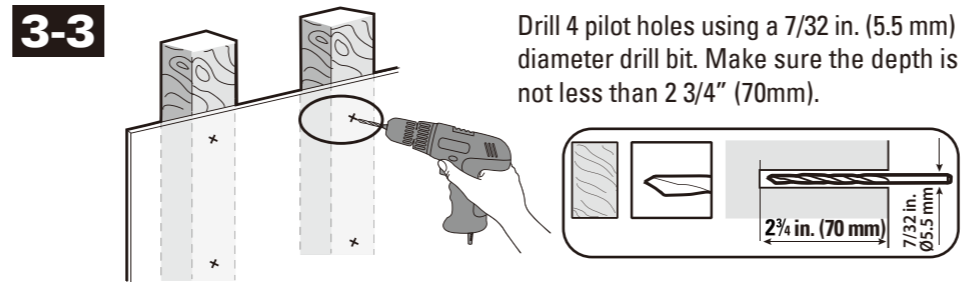
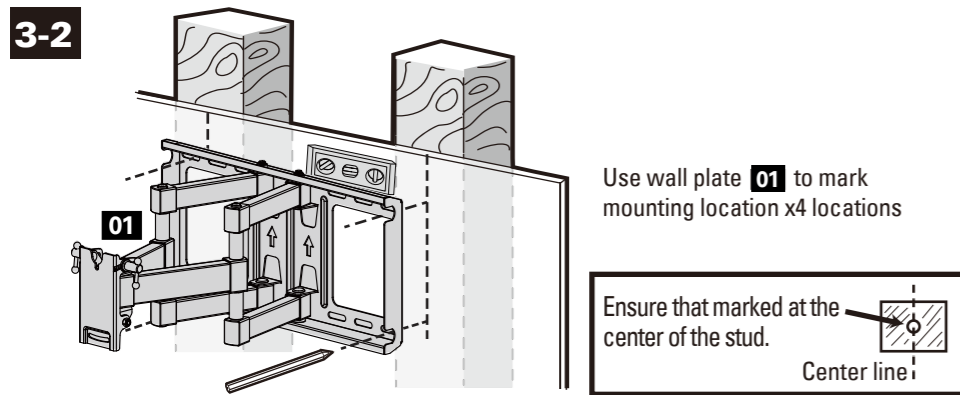
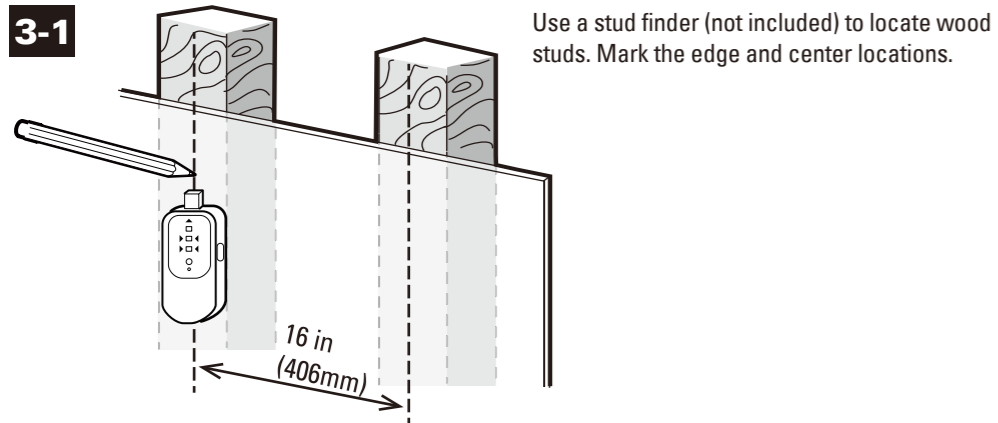


STEP 2B Round back TV (Universal monitor plate)

Connect TV brackets to back of TV

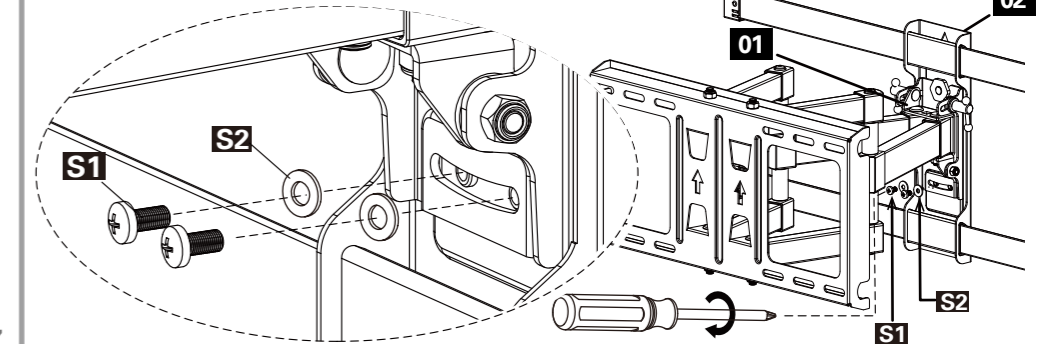
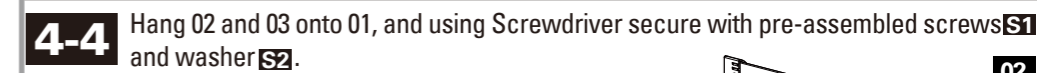
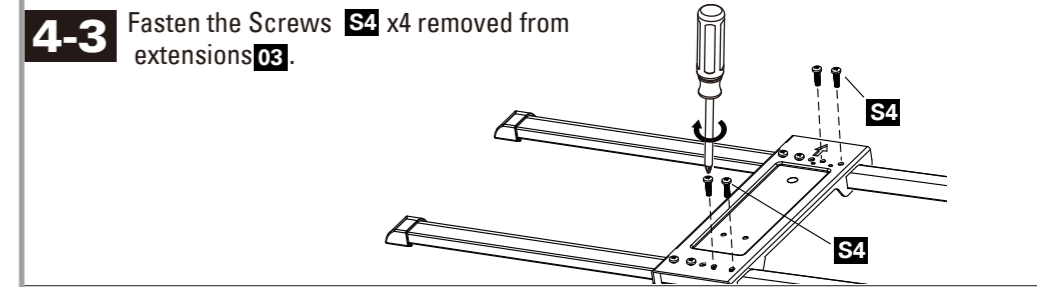
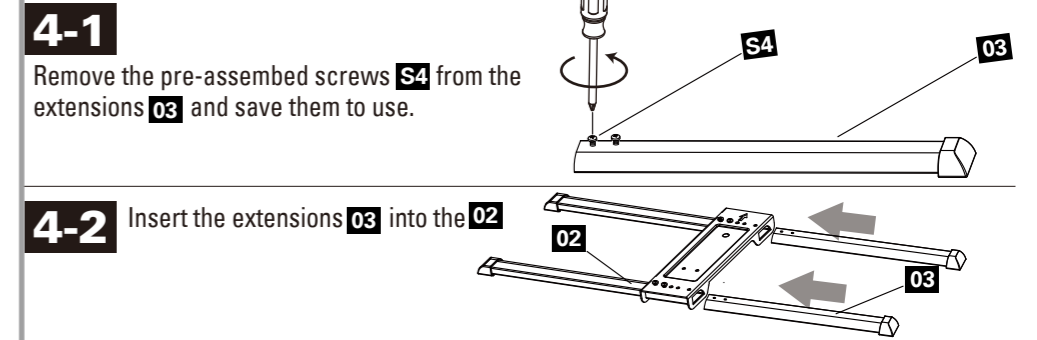


STEP 3 Wall Plate Install



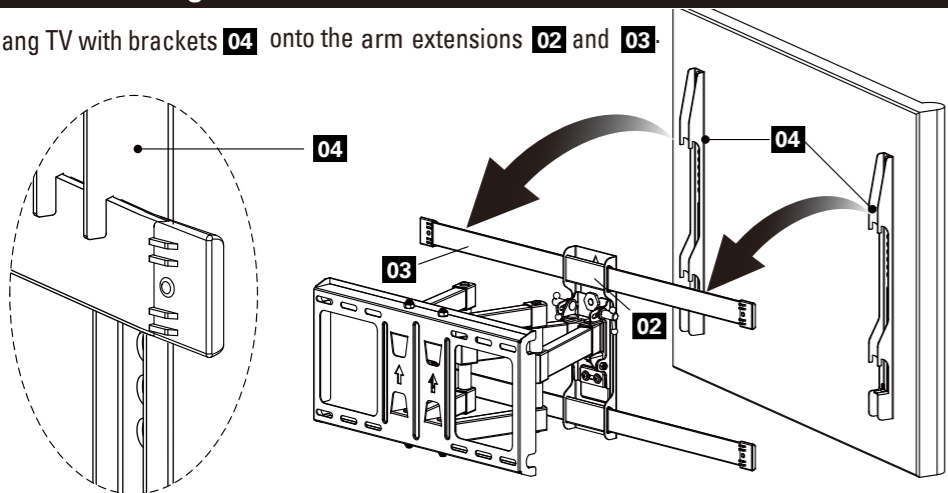
CAUTION: Ensure the wall plate is securely fastened to the wall before continuing on to the next step.

STEP 4 Install arm extensions then fasten it



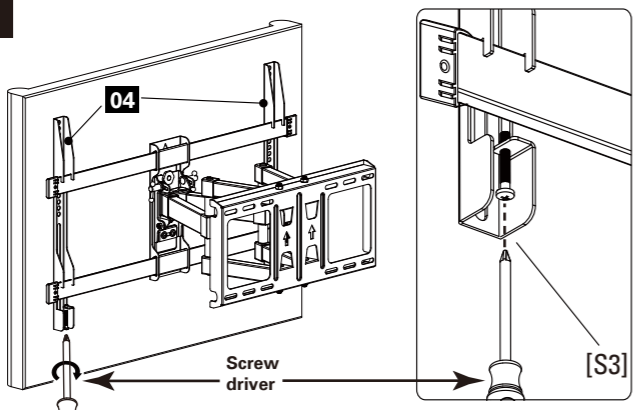
STEP 5 Hang TV

Hang TV with brackets **04** onto the arm extensions **02** and **03**.



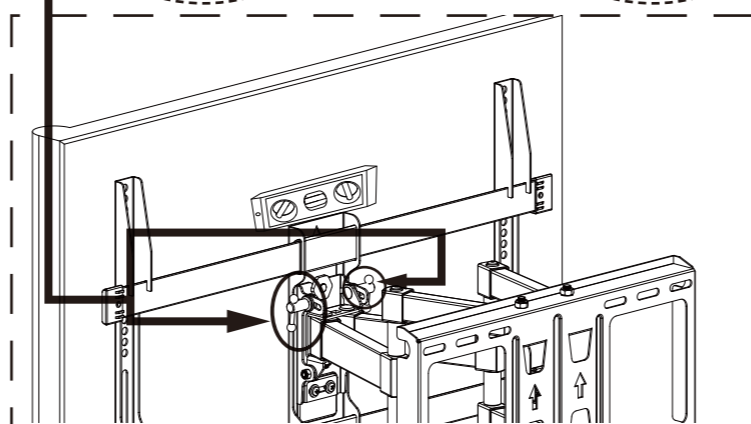
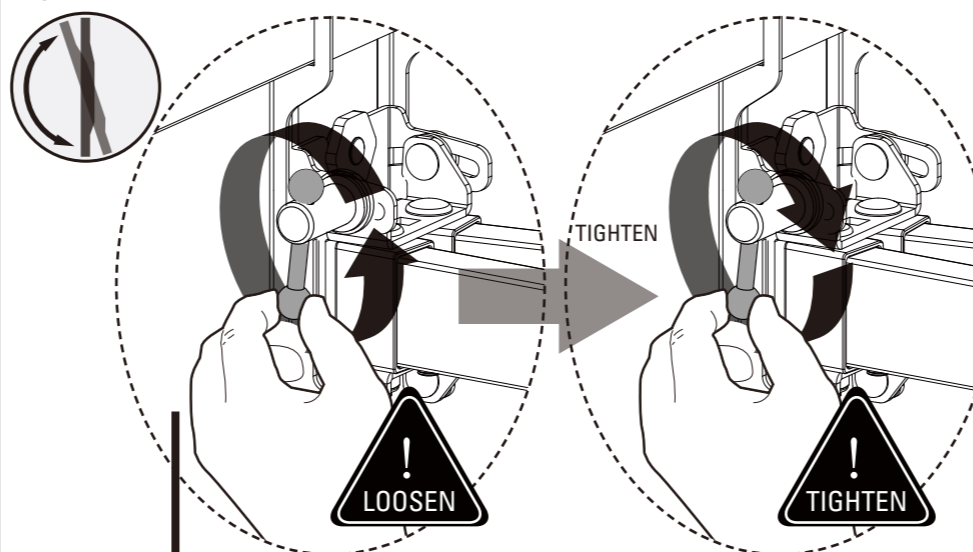
STEP 6 Secure TV

Secure TV with brackets **04** against the arm extensions **02** and **03** with the pre-assembled screws **[S3]**



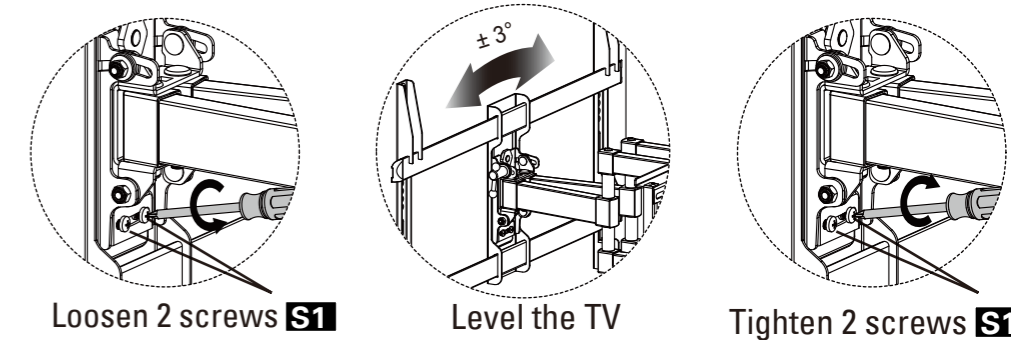
STEP 7 Tilt adjustment

To adjust the tilt in both sides, loosen both tilt levers and move panel to desired position. Tighten both tilt levers to hold desired tilt.



STEP 8 Level adjustment

If needed, the TV can be leveled +/- 3 degrees.



Made in China

PERLE ELECTRONICS HARDWARE (HONGKONG) CO., LIMITED • FLAT B07, 23/F HOVER IND BLDG NO. 26-38 KWAI CHEONG RD • Any questions please contact : customerservice@perlegear.com Please check www.perlesmith.com for more products and company information.