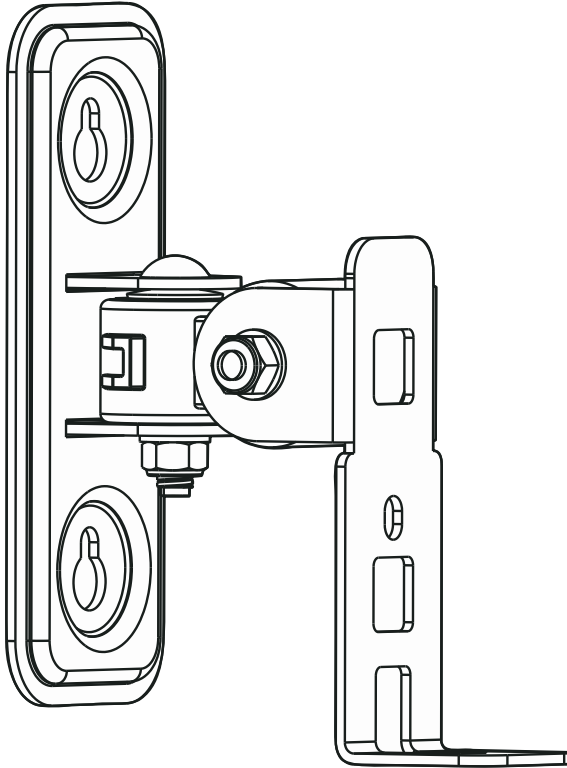




PERLESMITH

Installation Instructions

V1.0



PSSM01



Thank you for choosing our product! We strive to provide the best quality and services for our customers. Would you kindly share your experience on Amazon if you are satisfied? Should you have any issues, please don't hesitate to contact us.

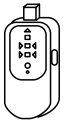
Telephone: 1-800-556-6806 Mon-Fri 10am - 6pm (PST) (USA) (CAN)

Email: supportus@perlesmith.com (US/CA/DE/UK/FR/IT/ES/JP/AU)

IMPORTANT SAFETY INFORMATION

- Check package contents against Supplied Parts and Hardware List to assure that all components were received undamaged. Do not use damaged or defective parts.If you require replacement parts, contact customer service at supportus@perlesmith.com
- Not all parts and hardware included will be used.
- Carefully read all instructions before attempting installation.If you do not understand the instructions or have any concerns or questions, please contact customer service at supportus@perlesmith.com
- This product may contain moving parts. Use with caution.
- Do not use this product for any purpose or in any configuration not explicitly specified in this instruction. We hereby disclaim any liability for injury or damage arising from incorrect assembly, incorrect mounting, or incorrect use of this product.
- DO NOT INSTALL INTO DRYWALL ALONE.
- Please check www.perlesmith.com for more products and company information.

Tools Needed (Not Included)



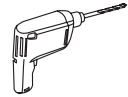
Stud Finder



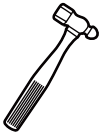
Tape measure



Pencil



Drill



Hammer



4 mm
Wood Drill

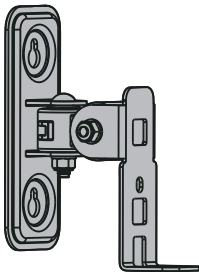


10 mm
Concrete Drill



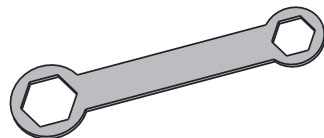
Screw Driver

Supplied Parts



Wall Plate

01 x1



02 x1

Hardware for Attaching the Arm Assembly/Wall Plate to Wall

Lag Bolts
ST6.3*50



x2

A1

Wall
Anchor

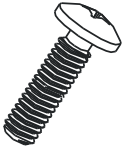


x2

A2

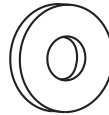
! CAUTION!

These anchors are for concrete or brick walls ONLY. DO NOT use them in drywall or wood studs.



B1

x1



B2

x1

Step 1 Attach the Wall Plate [01] to Wall

For wood stud installation, follow STEP 1A

For concrete installation, follow STEP 1B

Step 1A Wood Stud Option

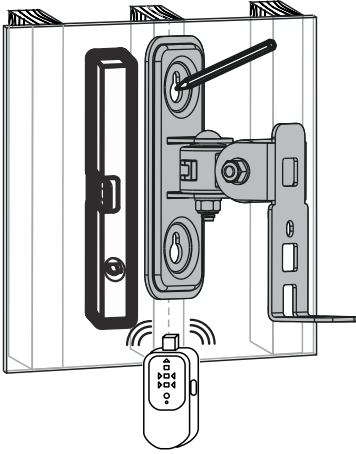
! WARNING:

- Avoid potential personal injury or property damage!
- DONOT USE THE WALL ANCHORS [A2] FOR THIS STEP.



- Any material covering the wall must not exceed 5/8 in. (16 mm)
- Nominal wood stud size: common 2 x 4 in. (51 x 102 mm) minimum 1½ x 3½ in. (38 x 89 mm)
- Stud center must be verified

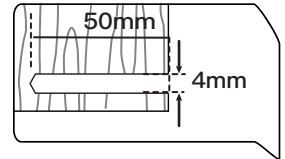
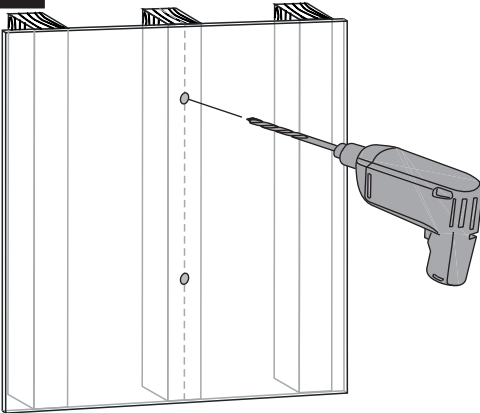
1A-1



Use a stud finder(not included)to locate wood studs. Mark the edge and center locations.

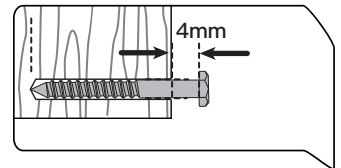
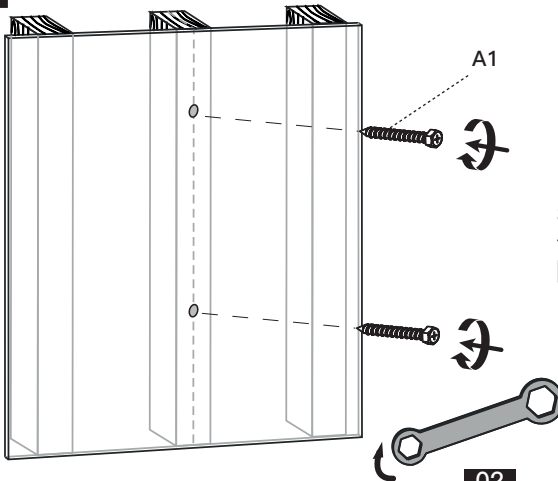
Position the wall plate[01] at your desired height and line up the holes with your stud center line. Level the wall plate and mark the holes.

1A-2



Drill 2 pilot holes using a 4 mm diameter drill bit. Make sure the depth is not less than 50mm

1A-3

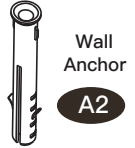


Screw the lag bolts [A1] into the pilot holes using wrench [02] until 4mm of the bolts are left.

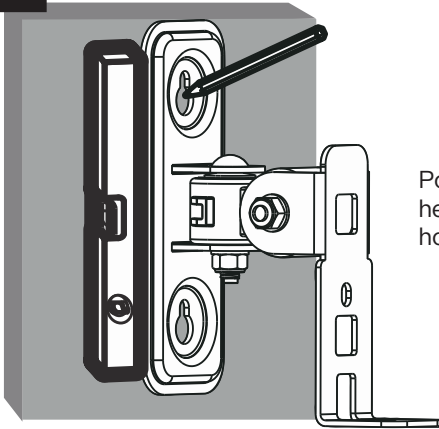
Step 1B Solid Concrete or Concrete Block Option

WARNING:

- Avoid potential personal injury or property damage!
- Any material covering the wall must not exceed 5/8 in. (16 mm)
- Minimum solid concrete thickness: 203 mm (8 in.)
- Minimum concrete block size: 203 x 203 x 406 mm (8 x 8 x 16 in.)

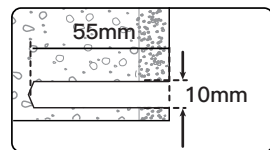
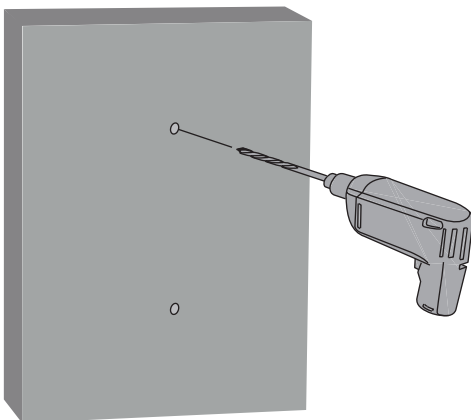


1B-1



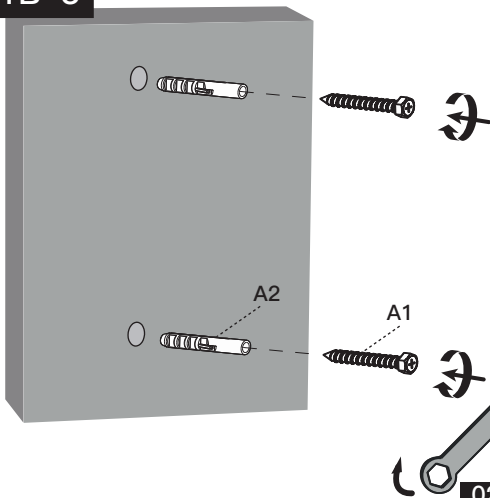
Position the wall plate[01] at your desired height, level the wall plate and mark the pilot hole locations.

1B-2



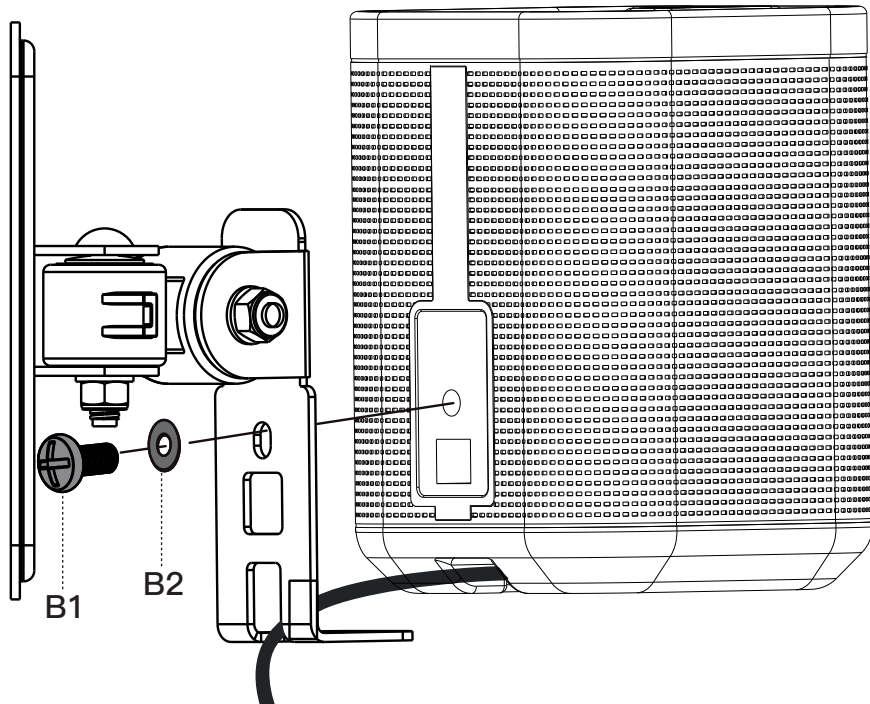
Drill 2 pilot holes using a 10mm diameter drill bit. Make sure the depth is not less than 55mm. Never drill into the mortar between blocks.

1B-3



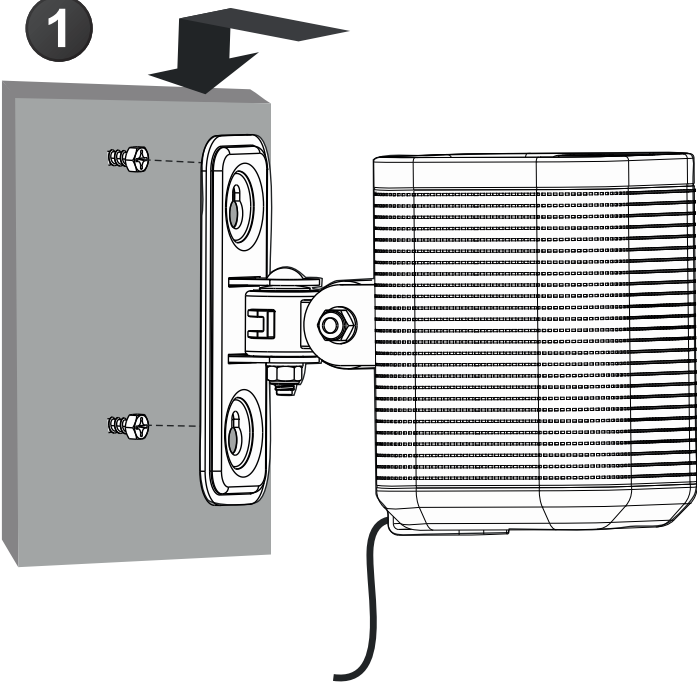
Screw the lag bolts [A1] into the pilot holes using wrench [02] until 4mm of the bolts are left.

Step 2 Secure the Wall Plate [01] to Your Sonos PLAY: 1 Speaker

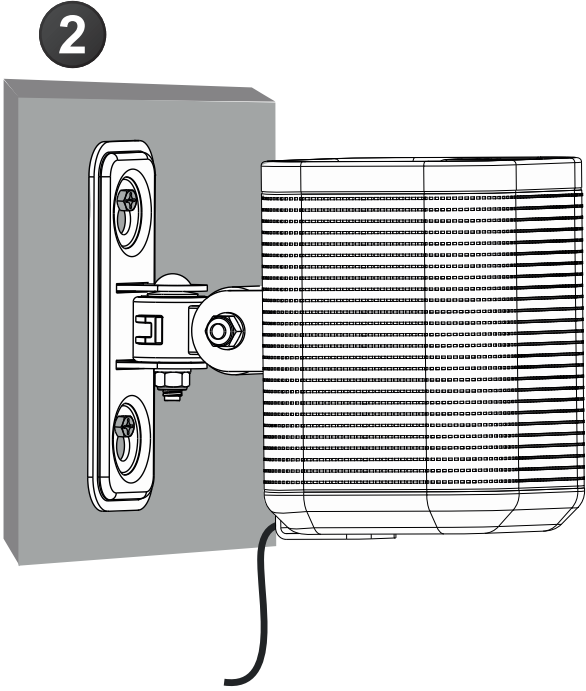


Step 3 Hang your Speaker onto the Lag Bolt

1



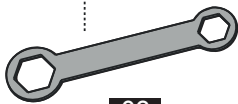
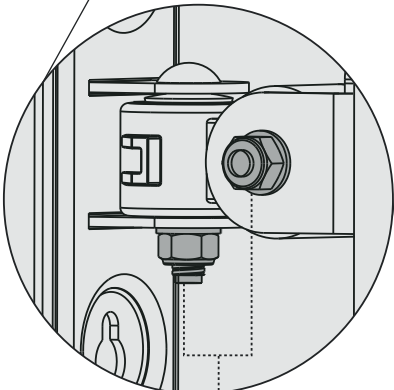
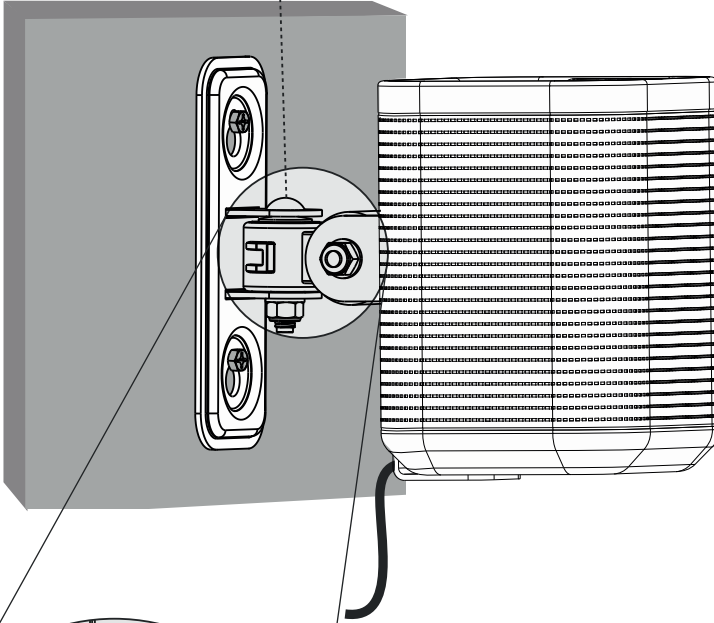
2



Step 4 Adjustment



The speakers can be swivelled and tilted using wrench [02] if needed



02